

KENYA INDUSTRIAL PROPERTY INSTITUTE



## INDUSTRIAL PROPERTY JOURNAL

(Journal of Patents, Industrial Designs, Utility Models and Trade marks)

No. 2024/02

29<sup>th</sup> February, 2024

Published Monthly

**EDITORIAL**

The Industrial Property Journal is the Official Journal of the Kenya Industrial Property Institute. Publication of the Journal is provided for under the Industrial Property Act, 2001 and regulation 7 of the Industrial Property Regulations 2002. The Journal is published monthly by the Institute as part of the procedures for protection of industrial property rights under the Industrial Property Act, No. 3 of 2001 and the Trade Marks Act, Cap 506 of the Laws of Kenya.

.....

**PUBLICATION FEES FOR MARKS**

	Foreign	Local
For the first class.....	US\$ 60	Ksh. 3, 000/=
For each subsequent class.....	US\$ 50	Ksh. 2, 500/=

The above-mentioned charges apply for all other matters required to be published under the Trade Marks Act, Cap 506 of the Laws of Kenya

.....

**PUBLICATION FEES FOR PATENTS, UTILITY MODELS AND INDUSTRIAL DESIGNS**

Foreign	Local
US\$ 150	Ksh. 3, 000/=

The above-mentioned charges apply for all other matters required to be published under the Industrial Property Act, No. 3 of 2001

.....

Published and edited by:  
Kenya Industrial Property Institute  
P.O. Box 51648-00200 Nairobi.  
Tel: 254-02-6002210/11, 6006326/29/36  
Mobile No: 0736002020  
Wireless: 0202386220  
Fax: 254-02-6006312  
Email: [info@kipi.go.ke](mailto:info@kipi.go.ke)  
Website: [www.kipi.go.ke](http://www.kipi.go.ke)

© Kenya Industrial Property Institute 2024

# The Industrial Property Journal

CONTENTS	PAGE
EDITORIAL.....	I
PUBLICATION FEES FOR MARKS.....	I
PUBLICATION FEES FOR PATENTS, UTILITY MODELS AND INDUSTRIAL DESIGNS .....	I
<b>WIPO STANDARDS .....</b>	<b>III</b>
GENERAL NOTICES.....	IV
<b>1.0 PATENT APPLICATIONS PUBLISHED UNDER SECTION 42 AND REGULATION 35. ....</b>	<b>1</b>
1.1 NATIONAL APPLICATION .....	1
1.2 PCT NATIONAL PHASE APPLICATIONS.....	1
<b>2.0 PATENTS GRANTED UNDER SECTION 45.....</b>	<b>1</b>
2.1 NATIONAL PATENTS.....	1
2.2 ARIPO GRANTED PATENTS.....	1
3.1 NATIONAL PATENTS.....	1
<b>4.0 CHANGE OF OWNERSHIP .....</b>	<b>3</b>
<b>5.0 CHANGE OF NAME.....</b>	<b>4</b>
<b>6.0 UTILITY MODEL APPLICATIONS PUBLISHED UNDER SECTION 42 AND REGULATION 35 .....</b>	<b>4</b>
6.1 NATIONAL APPLICATION.....	4
<b>7.0 UTILITY MODELS REGISTERED.....</b>	<b>8</b>
7.1 NATIONAL UTILITY MODELS.....	8
7.2 NATIONAL UTILITY MODELS.....	12
<b>8.0 INDUSTRIAL DESIGN APPLICATIONS PUBLISHED UNDER SECTION 87 AND REGULATION 48 .....</b>	<b>12</b>
8.1 NATIONAL APPLICATIONS .....	12
8.2 ARIPO APPLICATIONS .....	20
<b>9.0 REGISTERED INDUSTRIAL DESIGNS.....</b>	<b>20</b>
9.1 NATIONAL INDUSTRIAL DESIGNS.....	20
<b>10.0 RENEWED INDUSTRIAL DESIGNS.....</b>	<b>26</b>
10.1 NATIONAL DESIGNS .....	26
<b>11.0 TRADE MARKS.....</b>	<b>26</b>
11.1 APPLICATIONS ACCEPTED FOR REGISTRATION.....	26
11.2 CORRIGENDA .....	114
11.3 ALTERATIONS .....	115
11.4 REMOVAL .....	117
11.5 MADRID APPLICATIONS ACCEPTED FOR REGISTRATION.....	118
<b>12.0 GENERAL INFORMATION.....</b>	<b>144</b>
1. PATENT, UTILITY MODELS AND INDUSTRIAL DESIGN FEES. ....	144
2. AFRICAN REGIONAL INTELLECTUAL PROPERTY ORGANIZATION (ARIPO).....	144
3. PATENT COOPERATION TREATY .....	144
4. KENYA IS A SIGNATORY TO THE FOLLOWING TREATIES RELATED TO INDUSTRIAL PROPERTY RIGHTS: .....	145
5. TRADE MARKS FORMS AND FEES .....	145
6. THE INTERNATIONAL CLASSIFICATION OF GOODS AND SERVICES FOR THE PURPOSES OF THE REGISTRATION OF MARKS (NICE CLASSIFICATION).....	147

**WIPO standards****INID CODES**

INID is an acronym for 'Internationally agreed Numbers for the Identification of (bibliographic) Data'. The codes are used on the first page of industrial property documents and in gazettes to identify the bibliographic data without knowledge of the language used and the industrial property laws applied. The following INID codes are used in this Journal:

Standard ST.9 and ST.80 for Patents and utility Models and Industrial Designs

- (11) Number of the document
- (12) Designation of the kind of document
- (15) Correction information
- (19) WIPO standard ST.3 code of the office or organization publishing the document
- (21) Application Number
- (22) Date of filing of application
- (30) Priority data
- (31) Priority Number(s).
- (32) Priority Date(s).
- (33) Priority Country(s).
- (41) Publication date of unexamined application
- (42) Publication date of examined application
- (45) Publication date of registered right/Date of registration
- (51) International classification.
- (54) Title of the Invention.
- (56) Cited documents
- (57) Abstract
- (71) Name(s) of applicant(s)
- (72) Name(s) of Inventor(s)
- (730) Proprietor
- (740) Name and address of Agent or address for service
- (85) Date of entry into national phase for PCT applications
- (87) PCT Publication data
- Standard ST. 60 for Marks
- 111 Registration number
- 180 Expiry Date
- 210 Application number
- 220 Filing date of application
- 300 Data relating to Application under the Paris convention
- 442 Date of advertisement
- 511 International classification and/or list of goods and services
- 526 Disclaimer
- 540 Reproduction of the Mark
- 566 Translation of the mark or words contained in the mark
- 15 Amendment/Correction information
- 591 Information concerning colours claimed
- 730 Name and address of the/proprietor
- 740 Name and address of the agent or applicant
- 791 Name and address of Licensee/registered user

**GENERAL NOTICES**

## 1.0 Patent Applications published under Section 42 and Regulation 35.

### 1.1 National Application

### 1.2 PCT National Phase Applications

## 2.0 Patents Granted under Section 45

### 2.1 National Patents

### 2.2 ARIPO granted Patents

## 3.0 Patents Renewed under Section 61

### 3.1 National Patents

(11)/(21) 805(KE/P/2016/2431)  
(71) JOMO KENYATTA UNIVERSITY OF AGRICULTURE AND TECHNOLOGY (JKUAT)  
(24) Registration/application extended up to: 15/03/2025  
.....

(11)/(21) 837(KE/P/2017/2612)  
(71) JOMO KENYATTA UNIVERSITY OF AGRICULTURE AND TECHNOLOGY (JKUAT)  
(24) Registration/application extended up to: 06/03/2025  
.....

(11)/(21) 909(KE/P/2017/2613)  
(71) JOMO KENYATTA UNIVERSITY OF AGRICULTURE AND TECHNOLOGY (JKUAT)  
(24) Registration/application extended up to: 06/03/2025  
.....

(11)/(21) 806(KE/P/2017/2616)  
(71) JOMO KENYATTA UNIVERSITY OF AGRICULTURE AND TECHNOLOGY (JKUAT)  
(24) Registration/application extended up to: 06/03/2025  
.....

(11)/(21) 865(KE/P/2017/2765)  
(71) KENYA ELECTRICITY GENERATING COMPANY LTD  
(24) Registration/application extended up to: 11/12/2024  
.....

(11)/(21) 946(KE/P/2019/3259)  
(71) KWANGU KWAKO LIMITED  
(24) Registration/application extended up to: 12/04/2025  
.....

(11)/(21) 946(KE/P/2019/3259)

(71) KWANGU KWAKO LIMITED  
(24) Registration/application extended up to: 12/04/2024  
.....

(11)/(21) 946(KE/P/2019/3259)  
(71) KWANGU KWAKO LIMITED  
(24) Registration/application extended up to: 12/04/2023  
.....

(11)/(21) 1002(KE/P/2020/3611)  
(71) Danieli & C. Officine Meccaniche S.p.A  
(24) Registration/application extended up to: 27/02/2025  
.....

(11)/(21) (KE/P/2020/3612)  
(71) SHINING HOPE FOR COMMUNITIES (SHOFKO)  
(24) Registration/application extended up to: 28/02/2025  
.....

(11)/(21) (KE/P/2020/3628)  
(71) JOMO KENYATTA UNIVERSITY OF AGRICULTURE AND TECHNOLOGY, JKUAT  
(24) Registration/application extended up to: 31/03/2024  
.....

(11)/(21) 920(KE/P/2020/3629)  
(71) JOMO KENYATTA UNIVERSITY OF AGRICULTURE AND TECHNOLOGY  
(24) Registration/application extended up to: 31/03/2024  
.....

(11)/(21) (KE/P/2021/3795)  
(71) KENYA ELECTRICITY GENERATING COMPANY LTD  
(24) Registration/application extended up to: 11/02/2025  
.....

(11)/(21) (KE/P/2021/3796)  
(71) KENYA ELECTRICITY GENERATING COMPANY LTD

(24) Registration/application extended up to:  
11/02/2025  
.....  
(11)/(21) (KE/P/2021/3797)  
(71) KENYA ELECTRICITY GENERATING COMPANY LTD  
(24) Registration/application extended up to:  
11/02/2025  
.....  
(11)/(21) (KE/P/2021/3798)  
(71) KENYA ELECTRICITY GENERATING COMPANY LTD  
(24) Registration/application extended up to:  
11/02/2025  
.....  
(11)/(21) (KE/P/2021/3800)  
(71) JOMO KENYATTA UNIVERSITY OF AGRICULTURE AND TECHNOLOGY (JKUAT) MICHAEL MWAI  
(24) Registration/application extended up to:  
17/02/2024  
.....  
(11)/(21) 947(KE/P/2021/3801)  
(71) JOMO KENYATTA UNIVERSITY OF AGRICULTURE AND TECHNOLOGY (JKUAT)  
(24) Registration/application extended up to:  
17/02/2025  
.....  
(11)/(21) 947(KE/P/2021/3801)  
(71) JOMO KENYATTA UNIVERSITY OF AGRICULTURE AND TECHNOLOGY (JKUAT)  
(24) Registration/application extended up to:  
17/02/2023  
.....  
(11)/(21) 947(KE/P/2021/3801)  
(71) JOMO KENYATTA UNIVERSITY OF AGRICULTURE AND TECHNOLOGY (JKUAT)  
(24) Registration/application extended up to:  
17/02/2024  
.....  
(11)/(21) (KE/P/2021/3924)  
(71) MBOYA SHERYL B. KEMUNTO  
(24) Registration/application extended up to:  
27/10/2023  
.....  
(11)/(21) (KE/P/2021/3924)  
(71) MBOYA SHERYL B. KEMUNTO  
(24) Registration/application extended up to:  
27/10/2024  
.....  
(11)/(21) 997(KE/P/2022/3984)  
(71) KINYANJUI PETER KARANJA  
(24) Registration/application extended up to:  
21/01/2025  
.....  
(11)/(21) 975(KE/P/2022/3992)  
(71) PETER LYANDA SASAKAEUPHOBIA TURKANENSIS PROCESSORS LIMITED  
(24) Registration/application extended up to:  
10/02/2025  
.....  
(11)/(21) 447(KE/U/2023/2028)

(71) JOMO KENYATTA UNIVERSITY OF AGRICULTURE AND TECHNOLOGY  
(24) Registration/application extended up to:  
03/03/2025  
.....  
(11)/(21) 355(KE/P/2005/387)  
(71) BAYER CROPSCIENCE AKTIENGESELLSCHAFT  
(24) Registration/application extended up to:  
10/02/2025  
.....  
(11)/(21) 319(KE/P/2005/388)  
(71) Bayer CropScience Aktiengesellschaft  
(24) Registration/application extended up to:  
10/02/2024  
.....  
(11)/(21) 285(KE/P/2005/389)  
(71) Bayer CropScience Aktiengesellschaft  
(24) Registration/application extended up to:  
10/02/2025  
.....  
(11)/(21) 286(KE/P/2005/390)  
(71) Bayer CropScience Aktiengesellschaft ,  
(24) Registration/application extended up to:  
10/02/2025  
.....  
(11)/(21) 350(KE/P/2007/636)  
(71) BAYER PHARMA AKTIENGESELLSCHAFT  
(24) Registration/application extended up to:  
16/02/2025  
.....  
(11)/(21) 533(KE/P/2007/638)  
(71) BAYER HEALTHCARE LLC  
(24) Registration/application extended up to:  
22/02/2025  
.....  
(11)/(21) 778(KE/P/2008/799)  
(71) Nokia Technologies Oy  
(24) Registration/application extended up to:  
26/03/2025  
.....  
(11)/(21) 570(KE/P/2009/953)  
(71) Bayer Pharma Aktiengesellschaft  
(24) Registration/application extended up to:  
19/02/2025  
.....  
(11)/(21) 479(KE/P/2009/963)  
(71) SELEX COMMUNICATIONS S.P.A.  
(24) Registration/application extended up to:  
12/03/2025  
.....  
(11)/(21) 446(KE/P/2010/1130)  
(71) ISHIHARA SANGYO KAISHA, LTD.  
(24) Registration/application extended up to:  
11/03/2025  
.....  
(11)/(21) 992(KE/P/2010/1149)  
(71) ISHIHARA SANGYO KAISHA LTD.  
(24) Registration/application extended up to:  
27/03/2025  
.....  
(11)/(21) 733(KE/P/2012/1644)

(71) TELEFONAKTIEBOLAGET L M ERICSSON (PUBL)  
 (24) Registration/application extended up to:  
 15/02/2025  
 .....  
 (11)/(21) 823(KE/P/2013/1901)  
 (71) PATENT 06-001 B.V.  
 (24) Registration/application extended up to:  
**08/03/2025**  
 .....  
 (11)/(21) 779(KE/P/2015/2327)  
 (71) ISHIHARA SANGYO KAISHA, LTD  
 (24) Registration/application extended up to:  
 2/19/2025  
 .....  
 (11)/(21) 966(KE/P/2016/2531)  
 (71) PRAHARAJU LAXMIHARAYANA  
 (24) Registration/application extended up to:  
 23/01/2025  
 .....  
 (11)/(21) 851(KE/P/2016/2532)  
 (71) PRAHARAJU LAXMINARAYANA  
 (24) Registration/application extended up to:  
 23/01/2025  
 .....  
 (11)/(21) 944(KE/P/2016/2533)  
 (71) PRAHARAJU LAXMINARAYANA  
 (24) Registration/application extended up to:  
 23/01/2025  
 .....  
 (11)/(21) 878(KE/P/2016/2543)  
 (71) WM. WRIGLEY JR. COMPANY  
 (24) Registration/application extended up to:  
 12/02/2025  
 .....  
 (11)/(21) 897(KE/P/2016/2544)  
 (71) COUNCIL OF SCIENTIFIC & INDUSTRIAL  
 RESEARCH  
 (24) Registration/application extended up to:  
 10/02/2025  
 .....  
 (11)/(21) 973(KE/P/2017/2704)  
 (71) TELEFONAKTIEBOLAGET LM ERICSSON (PUBL)  
 (24) Registration/application extended up to:  
 01/02/2025  
 .....  
 (11)/(21) 907(KE/P/2018/2989)  
 (71) NÜWIEL GMBH  
 (24) Registration/application extended up to:  
 13/02/2024  
 .....

(11)/(21) 993(KE/P/2020/3637)  
 (71) SAMSUNG ELECTRONICS CO., LTD.  
 (24) Registration/application extended up to:  
 30/03/2025  
 .....  
 (11)/(21) (KE/P/2021/3880)  
 (71) LOHIA CORP LIMITED  
 (24) Registration/application extended up to:  
 24/01/2025  
 .....  
 (11)/(21) (KE/P/2022/4318)  
 (71) BIOLINE AGROSCIENCES FRANCE  
 (24) Registration/application extended up to:  
 29/01/2025  
 .....  
 (11)/(21) (KE/P/2022/4321)  
 (71) CORTEVA AGRISCIENCE LLC  
 (24) Registration/application extended up to:  
 01/02/2025  
 .....  
 (11)/(21) (KE/P/2022/4354)  
 (71) HANGZHOU VANGO TECHNOLOGIES, INC.  
 (24) Registration/application extended up to:  
 25/02/2025  
 .....  
 (11)/(21) (KE/P/2023/4635)  
 (71) SAMSUNG ELECTRONICS CO., LIMITED  
 (24) Registration/application extended up to:  
 30/03/2025  
 .....  
 (11)/(21) (KE/P/2023/4636)  
 (71) SAMSUNG ELECTRONICS CO., LIMITED  
 (24) Registration/application extended up to:  
 30/03/2025  
 .....  
 (11)/(21) (KE/P/2023/4668)  
 (71) VENARESOURCES, INC.  
 (24) Registration/application extended up to:  
 10/02/2024  
 .....  
 (11)/(21) (KE/P/2023/4671)  
 (71) MITSUBISHI HEAVY INDUSTRIES, LTD.  
 (24) Registration/application extended up to:  
 22/02/2025  
 .....  
 (11)/(21) (KE/P/2023/4713)  
 (71) KELLOGG BROWN & ROOT LLC  
 (24) Registration/application extended up to:  
 24/02/2025  
 .....

#### 4.0 Change of Ownership

Application No./Registration No.: **6868**

Assignor Name & Address: HEBERLEIN AG, Bleikenstrasse 11, 9630 Wattwil, Switzerland

Assignee Name & Address: RN Acqui V SA of Bâtiment C, EPFL Innovation Park, c/o Renaissance Management SA 1015 Lausanne, Switzerland

.....



Application No./Registration No.: **6868**

Assignor Name & Address:

**RN Acqui V SA of Bâtiment C, EPFL Innovation Park, c/o Renaissance Management SA  
1015 Lausanne, Switzerland**

Assignee Name & Address: **Heberlein Technology AG of Bleikenstrasse 11 9630 Wattwil,  
Switzerland**

Application No./Registration No.:

Assignor Name & Address: **KOMATSU KVX LLC NUF, Plogfabrikkvegen 9, 4353 Klepp Stasjon,  
Norway**

Assignee Name & Address: **HENSLEY INDUSTRIES INC of of 2108 JOE FIELD ROAD,  
DALLAS, TEXAS, U.S.A.**

Application No./Registration No.: **KE 820**

Assignor Name & Address: **Velos Media International Limited, Unit 32, The Hyde Building,  
The Park Carrickmines, Dublin 18, Ireland**

Assignee Name & Address: **ERICSSON LLC of SE-164 83 Stockholm, Sweden**

.....Application

No./Registration No.: **KE 820**

Assignor Name & Address:

**ERICSSON LLC of SE-164 83 Stockholm, Sweden**

Assignee Name & Address: **TELEFONAKTIEBOLAGET LM ERICSSON (PUBL) of SE-164 83  
Stockholm , Sweden**

Application No./Registration No.: **KE/D/2012/1275 /D 965**

Former owner: **UMOJA RUBBER PRODUCTS LIMITED, P.O. BOX 87388-80100 MOMBASA**

New owner: **UMOJA SHOE COMPANY LIMITED of P. O. BOX 452-80109 MTWAPA, Kenya,  
Kenya**

Application No./Registration No.: **KE/D/2015/1541 /D 847**

Former owner: **UMOJA RUBBER PRODUCTS LTD, P.O. BOX 87388-80100 MOMBASA, KENYA**

New owner: **UMOJA SHOE COMPANY LIMITED of P. O. BOX 452-80109 MTWAPA , Kenya**

Application No./Registration No.: **KE/D/2017/1725 /D 1146**

Former owner: **UMOJA RUBBER PRODUCTS LTD, 452-80109 MTWAPA, MOMBASA**

New owner: **UMOJA SHOE COMPANY LIMITED of P. O. BOX 452-80109 MTWAPA, Kenya**

## 5.0 Change of Name

## 6.0 Utility Model Applications Published under Section 42 and Regulation 35

### 6.1 National Application

(21),KE/U/2023/2265 (22) 07/08/2023

(73) **AQUARECH LTD of P. O. 1424-40100 KISUMU, Kenya**

(72) **DAVE OKECH**

(74) **FREDRICK O. OTSWONG'O FRED OTSWONG'O & IP ASSOCIATES P.O. BOX 54708-00200, NAIROBI**

(54) **Remote Water Parameter Sensing Gadget, System and Digital Platform for enhancing Productivity of Fish.**

(51) **G 01N 37/00(2006.01)**

(57) **The present invention discloses a remote water parameter sensing gadget, system and digital platform for enhancing productivity and marketing of fish by fish farmers using mobile app and sensor technology. The sensors are integrated into the system for monitoring water pond or cage parameters such as temperature, PH, moisture, nutrients and salinity remotely with real time data analytics and actionable insights. The system incorporates a comprehensive suite of features including sensors and mobile App that facilitate efficient fish**

farming practices, streamline supply chain management, and enable targeted marketing, all integrated within a user-friendly mobile application. The digital platform addresses several challenges faced by fish farmers such as limited access to market information, inadequate production management tools, and inefficient distribution networks. By leveraging the ubiquity and convenience of mobile technology, the system is able to empower fish farmers with real-time data, analytics and marketing capabilities.

.....

(21) KE/U/2023/2306 (22) 24/10/2023

(73) Feion Green Ventures Ltd of P.O. BOX 49162-00200 NAIROBI, Kenya

(72) Mercy Kyalo

(74) FREDRICK O. OTSWONG'O P.O BOX 54708-00200

(54) MULTI-SIDED SOLAR POWERED ELECTRIC COOKER

(51) A 47J 27/00(2006.01)

(57) Disclosed in the present invention is a multi-sided solar-powered electric cooker that allows uniform heat distribution and guarantees fast cooking. The cooker comprises a heat regulation and coil separation, coil placement around the pots, pot holder, metallic box designed to accommodate a plurality of members, a heat regulation and coil separation members, a coil placement around the pot cooking area, solar panel system and supply cable point and pilot lights. The said cooker is crafted to further comprise a solar panel array, DC motor and heating coil. The solar panel array converts sunlight into DC electricity, which powers the DC motor. The DC motor turns the heating coil, which heats the cooking pot. The cooker combines the convenience of electricity with the sustainability of solar power, making it an ideal solution for eco-conscious individuals who want to reduce their carbon footprint.

.....

(21) KE/U/2023/2311 (22) 07/11/2023

(73) RHYS AND LYRA FARM INTERNATIONAL of P.O. BOX 2048-00900 KIAMBU, Kenya

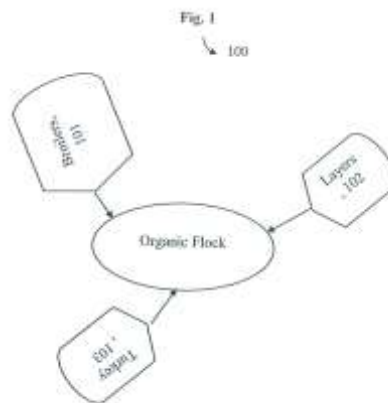
(72) RHYS AND LYRA FARM INTERNATIONAL

(74) FREDRICK O. OTSWONG'O FRED OTSWONG'O & IP ASSOCIATES P.O. BOX 54708-00200, NAIROBI

(54) FORMULATION OF ORGANIC FEEDS FOR BIRDS

(51) A 23K 50/75(2016.01)

(57) The present invention discloses a formulation of organic feeds for domesticated birds and other animals including livestock, poultry, pigs, cattle, sheep and goat by utilizing locally available ingredients while avoiding the use of chemical additives to promote healthy lifestyle and healthy animal/birds byproducts. The formulation is created through grinding, mixing, and optional palletization, with rigorous quality control measures and compliance with organic certification standards. Feeding guidelines may be included to specify the appropriate feed quantities and frequencies for different animals and life stages. In one embodiment, the organic bird feed concentrate is formulated for indigenous mash feed comprising a whole maize of 48.6%, wheat bran/maize bran/rice germ of 14.3%, sunflower/soya beans of 17.14%, fishmeal of 11.43%, lime of 8.57%, salt of 0.03%, premix vinemera of 0.25%, coccidiostat of 0.14%, toxin binder of 0.03% and DCP (Dicalcium phosphate) of 0.03% .



.....

(21) KE/U/2023/2314 (22) 16/11/2023

(73) My Rustic Place of P. O. BOX 2040 - 00502, Karen, Nairobi, Kenya

(72) Dan Juma

(54) BATHTUB SOFA/COUCH

(51) A 47C 17/00(2006.01)

(57) A sofa seat derived from a bathtub basin; where one longer vertical side of the bathtub basin is cut out; the bathtubs upper top portions which are flat on top and which protrude slightly from the bathtub act as armrests for the seat; and where the bathtub seat is provided with legs. The seat can be used as a couch, sofa or set seaters.

.....

(21) KE/U/2023/2315 (22) 16/11/2023

(30) Priority:

(73) My Rustic Place of P. O. BOX 2040 - 00502, Karen, Nairobi, Kenya

(72) Dan Juma

(74)

(54) RUSTIC INDUSTRIAL ROUND TABLE

(51) A 47B 17/00(2006.01), A 47B 13/00(2006.01)

(57)

The invention relates to a table with a storage compartment, a cylindrical body derived from industrial fan casing tube, a rolled metal plate or large heavy-duty cooking pan; a top cover provided with a hinge, handles on the side and legs. The method provides a table with a unique appearance.

.....

(21) KE/U/2023/2316 (22) 16/11/2023

(73) My Rustic Place of P. O. BOX 2040 - 00502, Karen, Nairobi, Kenya

(72) Dan Juma

(54) RUSTIC LANTERN LAMP

(51) F 21V 23/00(2015.01)

(57)

The invention relates to a method of making an electric lamp from an oil lantern, the 19<sup>th</sup> century lighting relic. An oil lantern is converted into an electric lamp and is provided with a bulb holder, socket, electric cable and a base.

.....

(21) KE/U/2023/2319 (22) 24/11/2023

(73) MY RUSTIC PLACE of P.O. BOX 2040-00502 NAIROBI, Kenya

(72) DAN JUMA

(74)

(54) RUSTIC PRESSURE LAMP

(51) F 21S 6/00(2006.01)

(57) The invention relates to a method of making an electric lamp from a pressure lamp. The pressure lamp is converted into an electric lamp and is provided with a bulb holder, socket and electric cables.

.....

(21) KE/U/2023/2320 (22) 24/11/2023

(73) MY RUSTIC PLACE of P.O. BOX 2040-00502 NAIROBI, Kenya

(72) DAN JUMA

(54) RUSTIC STOVE LAMP

(51) F 21S 6/00(2006.01)

(57) The invention relates to a method of making an electric lamp from a stove. The stove is converted into an electric lamp and is provided with a bulb holder, socket and electric cables.

.....

(21) KE/U/2023/2321 (22) 24/11/2023

(73) MY RUSTIC PLACE of P.O. BOX 2040-00502 NAIROBI, Kenya

(72) DAN JUMA

(54) RUSTIC BUCKET ROUND TABLE

(51) A 47B 13/00(2006.01)

(57) The invention relates to a table with a storage compartment, a conical shaped body which can be derived from a metallic bucket, a top cover provided with a hinge and handles on the side and legs. The method provides a table with a unique appearance.

.....

(21) KE/U/2023/2322 (22) 24/11/2023

(73) MY RUSTIC PLACE of P.O. BOX 2040-00502 NAIROBI, Kenya

(72) DAN JUMA

(54) RUSTIC INDUSTRIAL FLOOR LAMP

(51) F 21S 6/00(2006.01)

(57) A floor lamp comprising of; the lamp stand head made of wine chiller bucket or refrigerant cylinder; a vertical member made from black or galvanized pipe and a base made from any a gate valve wheel or flywheel. The floor lamp can be used indoors or outdoors.

.....

(21) KE/U/2023/2324 (22) 07/12/2023

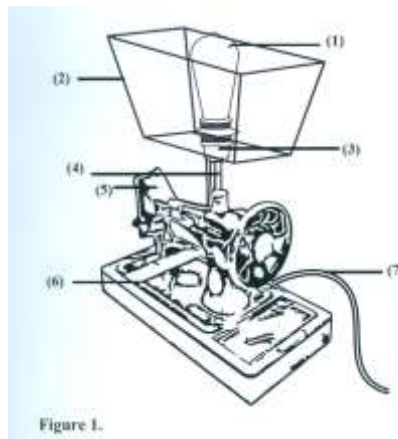
(73) MY RUSTIC PLACE of P.O BOX 2040-00502 NAIROBI, Kenya

(72) DAN JUMA

(54) RUSTIC SEWING MACHINE TABLE LAMP

(51) F 21V 21/06(2006.01)

(57) The invention relates to a method of making a table lamp from a sewing machine. The method compries of repurposing a sewing machine which forms a base for a table lamp and which provides a unique table lamp.



.....

(21) KE/U/2023/2325 (22) 07/12/2023

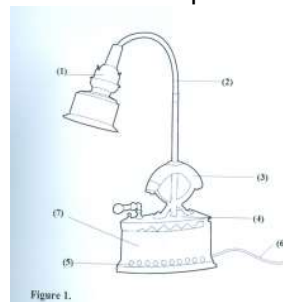
(73) MY RUSTIC PLACE of P.O BOX 2040-00502 NAIROBI, Kenya

(72) DAN JUMA

(54) RUSTIC IRON BOX TABLE LAMP

(51) F 21V 21/06(2006.01)

(57) The invention relates to a method of making a table lamp from an iron box. The method comprises of repurposing an iron box which forms a base for a table lamp and which provides a unique table lamp.



.....

(21) KE/U/2023/2331 (22) 18/12/2023

(73) MY RUSTIC PLACE of PO BOX 2040-00502, KAREN, Kenya

(72) DAN JUMA

(54) RUSTIC TANK STORAGE TABLE

(51) A 47B 37/00(2006.01)

(57) The invention relates to a table with a storage compartment, a half-cylindrical shaped body which can be derived from a metallic or plastic tank or wooden barrel, a top cover provided with hinges and handles on the side and legs. The method provides a table with a unique appearance.

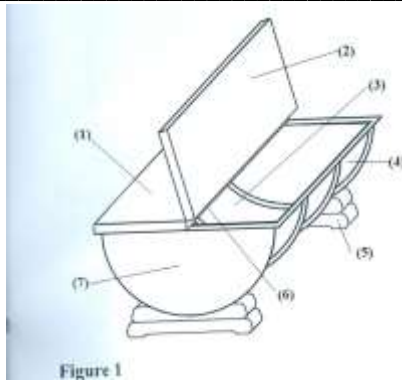


Figure 1

.....

(21) KE/U/2024/2348 (22) 30/01/2024  
 (73) LUCY NJERI KOINANGE of P. O. BOX 66511-00800, Kenya and JAMES KAMUNYA NYAGA of P. O. BOX 66511-00800, Kenya  
 (72) LUCY NJERI KOINANGE and JAMES KAMUNYA NYAGA  
 (54) PERSONAL HEALTH AND WELLNESS TRACKER SYSTEM AND METHOD  
 (51) G 16H 50/20(20180101) // (G 16H 50:20)  
 (57) The invention is a Personal Health and Wellness Tracker System and Method addressing challenges in modern health management. It introduces a user-centric platform with secure account management, family health tracking, and an innovative integration of machine learning and AI. The system analyzes user-entered health data, offering personalized nutrition and exercise recommendations, accounting for external factors like weather. The absence of a comprehensive health tracking method often leads to issues such as inefficient medication management, missed preventive care, and increased healthcare costs. The invention tackles these challenges by incorporating features like account linkage with health care providers, printable logs, and continuous learning algorithms. Notably, the AI-driven recommendations consider individual health profiles and adapt to changing needs. The system prioritizes privacy, security, and user feedback.

.....

(21) KE/U/2024/2355 (22) 12/02/2024  
 (73) MLEZIE LIMITED of Kenya  
 (72) CAROLINE MUTHONI NDERITU  
 (54) A SYSTEM AND METHOD FOR FACILITATING SCHOOL FEE FINANCING  
 (57) The present invention relatea to A system and method for facilitating school fee financing comprising of the following components: Lending Services, Voluntary Savings, Digital Payment Solutions, Education Resource Procurement, Collaboration with Financial Institutions, Government Partnership and Scholarships and Financial Aid. That the system offers lending services to parents, allowing them to borrow funds for their children's education expenses, including school fees, tution, and other related costs and the integration of the system also enables our other partners such as uniform dealers, bookshops and other school merchandise suppliers provide their services through the online platform.

.....

## 7.0 Utility Models Registered

### 7.1 National Utility Models

(11) Registration no.: 482 (45) Date of grant: 23/02/2024  
 (21) Application no.: KE/23/02026 (22) Filing Date: 28/02/2023  
 (73) Applicant(s): LAWKALI AFRICA P.O. BOX 44324-00100 NAIROBI, Kenya  
 (72) Inventors: JACQUELINE KALI  
 (74) Agent: P.O. BOX 44324-00100 NAIROBI  
 (51) Int.Cl.2018.01: G 06Q 50/18(2012.01)  
 (54) Title: LEGAL INFORMATION SYSTEM  
 (57) A legal document information analyzing and output system where the system highlights sections in a legal document that have potential of serious adverse consequences if breached; extracts those sections and provides their explanations in a layman language; and where the system comprises of an application that provides connection and interaction between the user, the databases, the data and information analysis and the system data and information input.

.....

(11) Registration no.: 471 (45) Date of grant: 12/02/2024  
(21) Application no.: KE/23/02262 (22) Filing Date: 02/08/2023  
(73) Applicant(s): AGRI-HYDRAULICS LTD P.O. BOX 16-40303 HOMABAY KENYA, Kenya  
(72) Inventors: AWII CLINTON  
(74) Agent: FRED OTSWONG'O & INTELLECTUAL PROPERTY ASSOCIATES, P.O. BOX 54708-00200, NAIROBI  
(51) Int.Cl.2018.01: A 01J 5/00(2006.01)  
(54) Title: INTEGRATED HYDRAULIC POWERED MILKING SYSTEM  
(57) Disclosed in the present invention is an integrated hydraulic powered milking system, comprising a motorbike equipped with hydraulic engine, vacuum pump having controller systems, pulsation system, computerized milk transport system with sensors and milking unit cluster compartment having bowl and teat cup assembly. The system is designed to enhance the efficiency and productivity of farmers by providing motorbikes equipped with innovative hydraulic engines that can perform various activities, such as milking, refrigeration, transportation of milk and a computerized farm record system. The computerized milking system is designed to observe and control the milking process. Data collected during milking is automatically stored in a centralized database and farmers have access to a user-friendly management program that allows them to control settings, conditions for milking cows, attention lists and reports presented to farmers through a screen or web and mobile messages.

.....

(11) Registration no.: 476 (45) Date of grant: 23/02/2024  
(21) Application no.: KE/23/02314 (22) Filing Date: 16/11/2023  
(73) Applicant(s): My Rustic Place P. O. BOX 2040 - 00502, Karen, Nairobi, Kenya  
(72) Inventors: Dan Juma  
(74) Agent: P. O. BOX 2040 - 00502, Karen, Nairobi  
(51) Int.Cl.2018.01: A 47C 17/00(2006.01)  
(54) Title: BATHTUB SOFA/COUCH  
(57) A sofa seat derived from a bathtub basin; where one longer vertical side of the bathtub basin is cut out; the bathtubs upper top portions which are flat on top and which protrude slightly from the bathtub act as armrests for the seat; and where the bathtub seat is provided with legs. The seat can be used as a couch, sofa or set seaters.

.....

(11) Registration no.: 475 (45) Date of grant: 23/02/2024  
(21) Application no.: KE/23/02315 (22) Filing Date: 16/11/2023  
(73) Applicant(s): My Rustic Place P. O. BOX 2040 - 00502, Karen, Nairobi, Kenya  
(72) Inventors: Dan Juma  
(74) Agent: , P. O. BOX 2040 - 00502, Karen, Nairobi  
(51) Int.Cl.2018.01: A 47B 17/00(2006.01), A 47B 13/00(2006.01)  
(54) Title: RUSTIC INDUSTRIAL ROUND TABLE  
(57) The invention relates to a table with a storage compartment, a cylindrical body derived from industrial fan casing tube, a rolled metal plate or large heavy-duty cooking pan; a top cover provided with a hinge, handles on the side and legs. The method provides a table with a unique appearance.

.....

(11) Registration no.: 472 (45) Date of grant: 23/02/2024  
(21) Application no.: KE/23/02316 (22) Filing Date: 16/11/2023  
(73) Applicant(s): My Rustic Place P. O. BOX 2040 - 00502, Karen, Nairobi, Kenya  
(72) Inventors: Dan Juma  
(74) Agent: P. O. BOX 2040 - 00502, Karen, Nairobi  
(51) Int.Cl.2018.01: F 21V 23/00(2015.01)  
(54) Title: RUSTIC LANTERN LAMP  
(57) The invention relates to a method of making an electric lamp from an oil lantern, the 19<sup>th</sup> century lighting relic. An oil lantern is converted into an electric lamp and is provided with a bulb holder, socket, electric cable and a base.

.....

(11) Registration no.: 474 (45) Date of grant: 23/02/2024  
(21) Application no.: KE/23/02319 (22) Filing Date: 24/11/2023  
(73) Applicant(s): MY RUSTIC PLACE P.O. BOX 2040-00502 NAIROBI, Kenya  
(72) Inventors: DAN JUMA



(74) Agent: P.O. BOX 2040-00502 NAIROBI

(51) Int.Cl.2018.01: F 21S 6/00(2006.01)

(54) Title: RUSTIC PRESSURE LAMP

(57) The invention relates to a method of making an electric lamp from a pressure lamp. The pressure lamp is converted into an electric lamp and is provided with a bulb holder, socket and electric cables.

.....

(11) Registration no.: 480 (45) Date of grant: 23/02/2024

(21) Application no.: KE/23/02320 (22) Filing Date: 24/11/2023

(73) Applicant(s): MY RUSTIC PLACE P.O. BOX 2040-00502 NAIROBI, Kenya

(72) Inventors: DAN JUMA

(74) Agent: P.O. BOX 2040-00502 NAIROBI

(51) Int.Cl.2018.01: F 21S 6/00(2006.01)

(54) Title: RUSTIC STOVE LAMP

(57) The invention relates to a method of making an electric lamp from a stove. The stove is converted into an electric lamp and is provided with a bulb holder, socket and electric cables.

.....

(11) Registration no.: 481 (45) Date of grant: 23/02/2024

(21) Application no.: KE/23/02321 (22) Filing Date: 24/11/2023

(31) Priority:

(73) Applicant(s): MY RUSTIC PLACE P.O. BOX 2040-00502 NAIROBI, Kenya

(72) Inventors: DAN JUMA

(74) Agent: P.O. BOX 2040-00502 NAIROBI

(51) Int.Cl.2018.01: A 47B 13/00(2006.01)

(54) Title: RUSTIC BUCKET ROUND TABLE

(57) The invention relates to a table with a storage compartment, a conical shaped body which can be derived from a metallic bucket, a top cover provided with a hinge and handles on the side and legs. The method provides a table with a unique appearance.

.....

(11) Registration no.: 473 (45) Date of grant: 23/02/2024

(21) Application no.: KE/23/02322 (22) Filing Date: 24/11/2023

(31) Priority:

(73) Applicant(s): MY RUSTIC PLACE P.O. BOX 2040-00502 NAIROBI, Kenya

(72) Inventors: DAN JUMA

(74) Agent: P.O. BOX 2040-00502 NAIROBI

(51) Int.Cl.2018.01: F 21S 6/00(2006.01)

(54) Title: RUSTIC INDUSTRIAL FLOOR LAMP

(57) A floor lamp comprising of; the lamp stand head made of wine chiller bucket or refrigerant cylinder; a vertical member made from black or galvanized pipe and a base made from any a gate valve wheel or flywheel. The floor lamp can be used indoors or outdoors.

.....

(11) Registration no.: 477 (45) Date of grant: 23/02/2024

(21) Application no.: KE/23/02324 (22) Filing Date: 07/12/2023

(73) Applicant(s): MY RUSTIC PLACE P.O BOX 2040-00502 NAIROBI, Kenya

(72) Inventors: DAN JUMA

(74) Agent: P.O BOX 2040-00502 NAIROBI

(51) Int.Cl.2018.01: F 21V 21/06(2006.01)

(54) Title: RUSTIC SEWING MACHINE TABLE LAMP

(57) The invention relates to a method of making a table lamp from a sewing machine. The method comprises of repurposing a sewing machine which forms a base for a table lamp and which provides a unique table lamp.

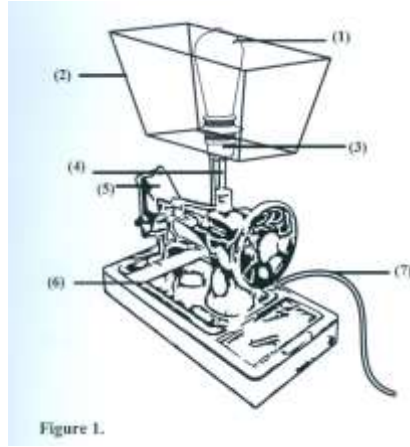


Figure 1.

.....

(11) Registration no.: 479 (45) Date of grant: 23/02/2024  
(21) Application no.: KE/23/02325 (22) Filing Date: 07/12/2023  
(73) Applicant(s): MY RUSTIC PLACE P.O BOX 2040-00502 NAIROBI, Kenya  
(72) Inventors: DAN JUMA  
(74) Agent: P.O BOX 2040-00502 NAIROBI  
(51) Int.Cl.2018.01: F 21V 21/06(2006.01)  
(54) Title: RUSTIC IRON BOX TABLE LAMP  
(57) The invention relates to a method of making a table lamp from an iron box. The method comprises of repurposing an iron box which forms a base for a table lamp and which provides a unique table lamp.

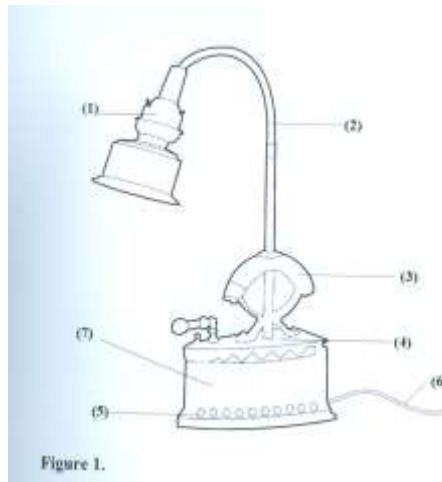
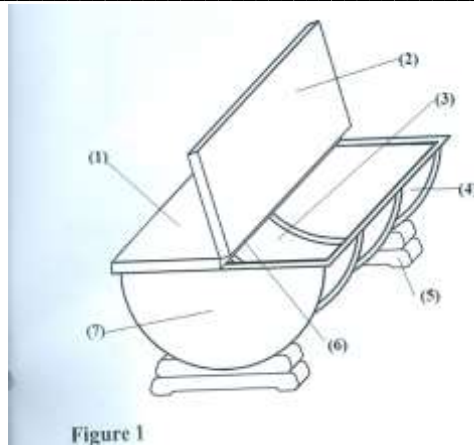


Figure 1.

.....

(11) Registration no.: 478 (45) Date of grant: 23/02/2024  
(21) Application no.: KE/23/02331 (22) Filing Date: 18/12/2023  
(73) Applicant(s): MY RUSTIC PLACE PO BOX 2040-00502, KAREN, Kenya  
(72) Inventors: DAN JUMA  
(74) Agent: PO BOX 2040-00502, KAREN  
(51) Int.Cl.2018.01: A 47B 37/00(2006.01)  
(54) Title: RUSTIC TANK STORAGE TABLE  
(57) The invention relates to a table with a storage compartment, a half-cylindrical shaped body which can be derived from a metallic or plastic tank or wooden barrel, a top cover provided with hinges and handles on the side and legs. The method provides a table with a unique appearance.





.....

**7.2 National Utility Models**

**8.0 Industrial Design Applications Published Under Section 87 and Regulation 48**

NOTICE is given that any person who has grounds of opposition to the Registration of any of the Industrial designs published herein may within sixty (60) days from the date of this Journal, lodge a notice of opposition on form IP 36 (in duplicate) together with a fee of Ksh.5,000/= (local opponent) or US\$ 250 (foreign opponent).

The period of lodging the notice of opposition may be extended by the Managing Director as he deems fit and upon such terms as he may direct. Any request for such extension should be made to the Managing Director to reach him before the expiry of the period allowed.

Formal opposition should not be lodged until after reasonable notice has been given in writing to the applicant to afford him an opportunity of withdrawing his application before the expense of preparing the notice of opposition is incurred. Failure to give such notice will be taken into account in considering any application by an opponent for an order for costs if the opposition is uncontested by the applicant. Representations and samples of the designs advertised herein can be seen at the Patent Registry, Kenya Industrial Property Institute, KIPi Centre, 17 Kabarsiran Avenue, Off Waiyaki Way, Lavington, Nairobi.

**8.1 National Applications**

((21):2021/2400 (22): 21/01/2021 (30): None  
(73): CHESHIE DESIGNS LIMITED P.O BOX 57657-00200, NAIROBI, Kenya (74):  
(51) International Class (Loc (6)): 11-01 (54): JEWELRY HOLDER  
The novelty of the design is in the configuration, shape and ornamentation



.....

((21):2022/2584 (22): 24/05/2022 (30): None  
(73): J.L PEARL LIMITED P.O BOX 178010-20100, NAKURU, Kenya (74): ,  
(51) International Class (Loc (6)): 07-01 (54): PLATE  
THE FEATURES OF THE DESIGN FOR WHICH NOVELTY IS CLAIMED ARE IN THE GENERAL SHAPE, CONFIGURATION, ORNAMENTATION AND THE PATTERNS OF THE PLATES AS SHOWN IN THE REPRESENTATIONS.

PERSPECTIVE VIEW



.....

**((21):2022/2585 (22): 24/05/2022 (30): None**  
**(73): J.L PEARL LIMITED P.O BOX 178010-20100, NAKURU, Kenya (74):**  
**(51) International Class (Loc (6)): 07-01 (54): PLATE**  
THE FEATURES OF THE DESIGN FOR WHICH NOVELTY IS CLAIMED ARE IN THE GENERAL SHAPE, CONFIGURATION, ORNAMENTATION AND THE PATTERNS OF THE PLATES AS SHOWN IN THE

PERSPECTIVE VIEW



.....

**((21):2023/2753 (22): 04/08/2023 (30): None**  
**(73): ADAM YAWE P.O. BOX 9212-00200 NAIROBI, Kenya (74):**  
**(51) International Class (Loc (6)): 07-01 (54): PLATE**  
The novelty of the design resides in the shape and configuration of the article as shown in the accompanying representations.

B. FRONT RIGHT



.....

**((21):2023/2769 (22): 14/09/2023 (30): None**  
**(73): AFRICAN KENYA SABCRYNNSK OF SOI PRAYING AND HEALING CHURCH P.O BOX 282 MALAVA, Kenya**  
**(51) International Class (Loc (6)): 03-03 (54): PRAYING STICK**  
THE FEATURES OF DESIGN FOR WHICH PROTECTIONIS REQUESTED INCLUDE THE PATTERN AND/OR ORNAMENTATION AND/OR CONFIGURATION OF THE BOTTLE AS SHOWN IN THE REPRESENTATIONS



.....

**((21):2023/2770 (22): 14/09/2023 (30): None**  
**(73): AFRICAN KENYA SABCRYNNSK OF SOI PRAYING AND HEALING CHURCH P.O BOX 282 MALAVA, Kenya**  
**(51) International Class (Loc (6)): 03-03 (54): PRAYING STICK**

THE FEATURES OF DESIGN FOR WHICH PROTECTION IS REQUESTED INCLUDE THE PATTERN AND/OR ORNAMENTATION AND/OR CONFIGURATION OF THE BOTTLE AS SHOWN IN THE REPRESENTATIONS.



.....

((21):2023/2771 (22): 14/09/2023 (30): None  
(73): AFRICAN KENYA SABCRYNNSK OF SOI PRAYING AND HEALING CHURCH P.O BOX 282 MALAVA, Kenya  
(51) International Class (Loc (6)): 02-02 (54): THOBE  
THE FEATURES OF DESIGN FOR WHICH PROTECTION IS REQUESTED INCLUDE THE PATTERN AND/OR ORNAMENTATION AND/OR CONFIGURATION OF THE BOTTLE AS SHOWN IN THE REPRESENTATIONS.



.....

((21):2023/2772 (22): 14/09/2023 (30): None  
(73): AFRICAN KENYA SABCRYNNSK OF SOI PRAYING AND HEALING CHURCH P.O BOX 282 MALAVA, Kenya  
(51) International Class (Loc (6)): 02-02 (54): THOBE  
THE FEATURES OF DESIGN FOR WHICH PROTECTION IS REQUESTED INCLUDE THE PATTERN AND/OR ORNAMENTATION AND/OR CONFIGURATION OF THE BOTTLE AS SHOWN IN THE REPRESENTATIONS.



.....

((21):2023/2776 (22): 18/09/2023 (30): None  
(73): AFRICAN KENYAN SABCRYNNSK OF SOI PRAYING & HEALING CHURCH P. O. BOX 282 MALAVA, Kenya  
(51) International Class (Loc (6)): 02-02 (54): THOBE



.....

((21):2023/2791 (22): 19/10/2023 (30): None  
(73): SHANAL ENTERPRISES LTD P.O. BOX 39135-00623 NAIROBI, Kenya (74):  
(51) International Class (Loc (6)): 02-02 (54): MATTRESS BINDER  
THE FEATURES OF THE DESIGN FOR WHICH NOVELTY IS CLAIMED IS IN THE PATTERN OF THE MATTRESS BINDER AS SHOWN IN THE REPRESENTATION



.....

((21):2023/2792 (22): 19/10/2023 (30): None  
(73): SHANAL ENTERPRISES LTD P.O. BOX 39135-00623 NAIROBI, Kenya (74):  
(51) International Class (Loc (6)): 02-02 (54): MATTRESS BINDER  
THE FEATURES OF THE DESIGN FOR WHICH NOVELTY IS CLAIMED IS IN THE PATTERN OF THE MATTRESS BINDER AS SHOWN IN THE REPRESENTATION



.....

((21):2023/2804 (22): 30/10/2023 (30): None  
(73): KOT GROUP LIMITED P.O. BOX 44213-00100 NAIROBI, Kenya:  
(51) International Class (Loc (6)): 09-05 (54): PACKAGE  
The novelty resides in the ornamentation of the design as illustrated in the specimen representation attached to the industrial design application for the package.



.....

((21):2023/2805 (22): 30/10/2023 (30): None  
(73): KOT GROUP LIMITED P.O. BOX 44213-00100 NAIROBI, Kenya  
(51) International Class (Loc (6)): (54): PACKAGE

The novelty resides in the ornamentation of the design as illustrated in the specimen representation attached to the industrial design application for the package.



.....

((21):2023/2806 (22): 30/10/2023 (30): None  
(73): KOT GROUP LIMITED P.O. BOX 44213-00100 NAIROBI, Kenya:  
(51) International Class (Loc (6)): (54): PACKAGE

The novelty resides in the ornamentation of the design as illustrated in the specimen representation attached to the industrial design application for the package.



.....

((21):2023/2813 (22): 16/11/2023 (30): None  
(73): RAPID COSMETICS ENTERPRISES LTD P. O. BOX 1960-00610 NAIROBI, Kenya.  
(51) International Class (Loc (6)): 09-01 (54): BOTTLE

The feature of the design for which novelty is claimed are the bottom and top shape, configuration and pattern of the bottle with a pump as shown in the representations.



.....

((21):2023/2814 (22): 16/11/2023 (30): None  
(73): RAPID COSMETICS ENTERPRISES LTD P. O. BOX 1960-00610 NAIROBI, Kenya (74):  
(51) International Class (Loc (6)): 09-01 (54): BOTTLE

The feature of the design for which novelty is claimed are the bottom and top shape, configuration and pattern of the bottle with a pump as shown in the representations.



**((21):2023/2819 (22): 06/12/2023 (30): None**  
**(73): DAN JUMA P.O BOX 2040-00502 NAIROBI, Kenya (74):**  
**(51) International Class (Loc (6)): 06-04 (54): RUSTIC INDUSTRIAL CORNER CABINET**  
The novelty of the design lies in the shape, configuration and ornamentation of the corner cabinet.



**((21):2023/2820 (22): 06/12/2023 (30): None**  
**(73): DAN JUMA P.O. BOX 2040-00502 NAIROBI, Kenya (74):**  
**(51) International Class (Loc (6)): 06-04 (54): RUSTIC RAINBOW SIDEBORD**  
The novelty of the design lies in the rustic configuration, the color scheme and ornamentation



**((21):2023/2821 (22): 06/12/2023 (30): None**  
**(73): DAN JUMA P.O BOX 2040-00502 NAIROBI, Kenya (74):**  
**(51) International Class (Loc (6)): 06-04 (54): RUSTIC INDUSTRIAL TV STAND**  
The novelty of the design lies in the ornamentation, shape and configuration.



Figure 1 Front view of the rustic-colored sideboard

.....

((21):2023/2822 (22): 06/12/2023 (30): None  
(73): DAN JUMA P.O BOX 2040-00502 KAREN, Kenya (74):  
(51) International Class (Loc (6)): 06-04 (54): RUSTIC VINTAGE SIDE BOARD  
The novelty of the design is in the ornamentation, and the configuration of the rustic vintage sideboard.



Figure 2 front view

.....

((21):2023/2823 (22): 06/12/2023 (30): None  
(73): DAN JUMA P.O BOX 2040-00502 KAREN, Kenya (74):  
(51) International Class (Loc (6)): 06-04 (54): RUSTIC CRACKLED PAINT DRAWER  
The novelty of the design lies in the shape, configuration and ornamentation of the rustic crackled paint drawer.



Figure 3 front view

.....

((21):2023/2824 (22): 06/12/2023 (30): None  
(73): DAN JUMA P.O BOX 2040-00502 KAREN, Kenya (74):  
(51) International Class (Loc (6)): 06-04 (54): RUSTIC MULTI COLORED SIDEBOARD  
The novelty of the design lies in the shape ornamentation, pattern and configuration of the rustic multicolored sideboard.



Figure 4 Front view



**((21):2023/2828 (22): 18/12/2023 (30): None**  
**(73): DAN JUMA PO BOX 2040-00502, KAREN, Kenya (74):**  
**(51) International Class (Loc (6)): (54): VINTAGE WALNUT CHEST TRUNK**

The novelty of the design lies in the shape , configuration and ornamentation of the vintage walnut chest trunk.



.....

**((21):2024/2834 (22): 22/01/2024 (30): None**  
**(73): MY RUSTIC PLACE P.O BOX 2040-00502 NAIROBI, Kenya (74):**  
**(51) International Class (Loc (6)): 06-04 (54): RUSTIC CRACKLED SIDEBOARD**

The novelty of the design lies in the shape, ornamentation and general configuration of the rustic crackled sideboard.



.....

**((21):2024/2837 (22): 22/01/2024 (30): None**  
**(73): MY RUSTIC PLACE P.O BOX 2040-00502 NAIROBI, Kenya (74):**  
**(51) International Class (Loc (6)): 06-04 (54): HERITAGE SIDEBOARD**

The novelty lies in the shape, the ornamentation and general configuration of the heritage sideboard.



.....

**((21):2024/2838 (22): 22/01/2024 (30): None**  
**(73): MY RUSTIC PLACE P.O BOX 2040-00502 NAIROBI, Kenya (74):**  
**(51) International Class (Loc (6)): 06-04 (54): RUSTIC VANITY DESK**

The novelty of the design lies in the shape, the ornamentation and general configuration of the rustic vanity desk.





**8.2 ARIPO Applications**

(21) Application No.:AP/D/2023/1836

(22) Filing date: 18/12/2023

(30) Priority:29/896,829 07/07/2023 US

(51) Classification:

(54) Article to which design is applied: Cordless Blender

(73) Applicant: CAPBRAN HOLDINGS, LLC 11601 Wilshire Blvd., Suite 2300, Los Angeles, California 90025, United States of America.

(74) Agent/address of service: SPOOR.FISHER, Total House (2nd Floor), 25 Liberia Road, P.O. Box GP 2319, Accra, Ghana



**9.0 Registered Industrial Designs**

**9.1 National Industrial Designs**

11): 1655 (45): 01/02/2024 (21): 2023/2783 (22): 21/09/2023 (30): (51): (Loc (6)):02-04 (54): SANDAL (73): UMOJA SHOE COMPANY LIMITED P. O. BOX 452-80109 MTWAPA, Kenya (74): ISEME KAMAU & MAEMA ADVOCATES,P. O. Box 11866-00400 NAIROBI, Nairobi

The features for which novelty is claimed are in pattern and ornamentation of sandal as shown in the attached representations.



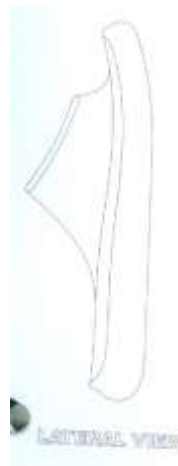
.....

**(11): 1656 (45): 01/02/2024 (21): 2023/2782 (22): 21/09/2023 (30): (51): (Loc (6)):02-04 (54): SANDAL (73): UMOJA SHOE COMPANY LIMITED P. O. BOX 452-80109 MTWAPA, Kenya (74): ISEME, KAMAU & MAEMA ADVOCATES,IKM Place, 1st Floor, 5th Ngong Avenue, P. O. Box 11866-00100 Nairobi, Kenya**  
The features for which the novelty is claimed are in pattern and ornamentation of sandal as shown in the attached representations.



.....

**(11): 1657 (45): 01/02/2024 (21): 2023/2781 (22): 21/09/2023 (30): (51): (Loc (6)):02-04 (54): SANDAL (73): UMOJA SHOE COMPANY LIMITED P. O. BOX 452-80109 MTWAPA, Kenya (74): ISEME KAMAU & MAEMA ADVOCATES,P. O. BOX 11866-00400, Nairobi**  
The features for which novelty is claimed are in pattern and ornamentation of sandal as shown in the attached representations



.....

**(11): 1658 (45): 01/02/2024 (21): 2023/2780 (22): 21/09/2023 (30): (51): (Loc (6)):02-04 (54): SANDAL (73): UMOJA SHOE COMPANY LIMITED P. O. BOX 452-80109 MTWAPA, Kenya (74): ISEME KAMAU & MAEMA ADVOCATES,P. O. BOX 11866-00400, Nairobi**

The features for which novelty is claimed are in pattern and ornamentation of sandal as shown in the attached representations



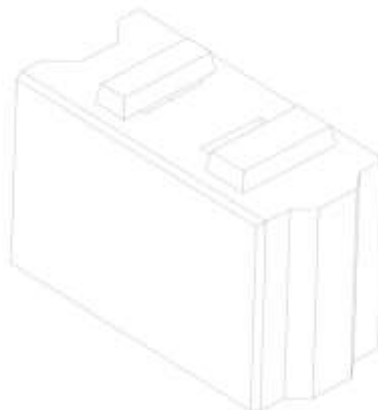
.....

(11): 1659 (45): 05/02/2024 (21): 2023/2779 (22): 21/09/2023 (30): (51): (Loc (6)):02-04 (54): SANDAL (73): UMOJA SHOE COMPANY LIMITED P. O. BOX 452-80109 MTWAPA, Kenya (74): ISEME, KAMAU & MAEMA ADVOCATES, IKM Place, 1st Floor, 5th Ngong Avenue, P. O. Box 11866-00100 Nairobi, Kenya  
 The features for which novelty is claimed are in pattern and ornamentation of sandal as shown in the attached representations



.....

(11): 1660 (45): 12/02/2024 (21): 2023/2721 (22): 25/04/2023 (30): (51): (Loc (6)):25-01 (54): MORTARLESS INTERLOCKING HOLLOW BLOCKS (73): KWANGU KWAKO LTD P. O. BOX 29643-00100 NAIROBI, Kenya (74):  
 The novelty of the design resides in the shape or configuration applied to the article as shown in the accompanying representations.



.....

(11): 1661 (45): 12/02/2024 (21): 2023/2810 (22): 03/11/2023 (30): (51): (Loc (6)):09-01 (54): BOTTLE (73): EPHRON INDUSTRIES LIMITED P. O. BOX 48206-00100 NAIROBI, Kenya (74):  
 The features of the design for which novelty is claimed are in the shape, configuration and the pattern of the bottle as shown in the representation



.....

(11): 1662 (45): 12/02/2024 (21): 2023/2811 (22): 03/11/2023 (30): (51): (Loc (6)):09-01 (54): BOTTLE (73): EPHRON INDUSTRIES LIMITED P. O. BOX 48206-00100 NAIROBI, Kenya (74):

The features of the design for which novelty is claimed are in the shape, configuration and pattern of the bottle as shown in the representations.



.....

(11): 1663 (45): 16/02/2024 (21): 2021/2520 (22): 03/08/2021 (30): (51): (Loc (6)):09-01 (54): Bottle (73): PREMIER FOODS LIMITED P. O. BOX 41476-00100, NAIROBI, Kenya (74):

The novelty of the design resides in the shape, pattern, configuration and contours as shown in the representations.



.....

(11): 1664 (45): 23/02/2024 (21): 2023/2799 (22): 25/10/2023 (30): (51): (Loc (6)):09-01 (54): BOTTLE (73): AFNAN BEAUTY HAIR P.O. BOX 1367-00200 NAIROBI, Kenya (74):

The features of the design for which novelty is claimed are in the shape, configuration and the pattern of the bottle as shown in the representation.



Fig 2: side view

.....

(11): 1665 (45): 23/02/2024 (21): 2023/2798 (22): 25/10/2023 (30): (51): (Loc (6)):09-01 (54): BOTTLE (73): AFNAN BEAUTY HAIR P.O. BOX 1367-00200 NAIROBI, Kenya (74):

The features of the design for which novelty is claimed are in the shape, configuration and the pattern of the bottle as shown in the representations.



Fig 3: side view

.....

(11): 1666 (45): 23/02/2024 (21): 2023/2797 (22): 25/10/2023 (30): (51): (Loc (6)):09-01 (54): BOTTLE (73): AFNAN BEAUTY HAIR P.O. BOX 1367-00200 NAIROBI, Kenya (74):

The features of the design for which novelty is claimed are in the shape, configuration and the pattern of the bottle as shown in the representation.



Fig 4: side view

.....

(11): 1667 (45): 23/02/2024 (21): 2023/2794 (22): 19/10/2023 (30): (51): (Loc (6)):09-07 (54): CAP (73): TAURGEM DISTRIBUTORS LTD P.O. BOX 80307-80100, Kenya (74):

The features of the design for which novelty is claimed are in the shape, ornamentation, configuration and the pattern of the cap as shown in the representation.



.....

**(11): 1668 (45): 23/02/2024 (21): 2023/2755 (22): 04/08/2023 (30): (51): (Loc (6)):09-03 (54): PACKAGING BOX (73): SHANDY SHELTERS LIMITED P. O. BOX 604-00606 NAIROBI, Kenya (74):**  
The features of the design for which novelty is claimed are in the general shape, configuration, ornamentation and the pattern of the packaging box as shown in the representation.

All wordings appearing on the design/packaging and the icons on the design are disclaimed



.....

**(11): 1669 (45): 23/02/2024 (21): 2023/2756 (22): 04/08/2023 (30): (51): (Loc (6)):09-03 (54): PACKAGING BOX (73): SHANDY SHELTERS LIMITED P. O. BOX 604-00606 NAIROBI, Kenya (74):**  
The features of the design for which novelty is claimed are in the general shape, configuration, ornamentation and the pattern of the packaging as shown in the representations.

All wordings appearing on the design/packaging and the icons on the design are disclaimed



.....

**(11): 1670 (45): 23/02/2024 (21): 2023/2795 (22): 24/10/2023 (30): (51): (Loc (6)):09-01 (54): BOTTLE (73): THREESTAR HOMEX LIMITED P.O. BOX 17730-00500 NAIROBI, Kenya (74):**  
The features of the design for which novelty is claimed are the shape, configuration and pattern as shown in the representations.



## 10.0 Renewed Industrial Designs

### 10.1 National Designs

## 11.0 Trade Marks

### 11.1 Applications accepted for registration

NOTICE is given that any person who has grounds of opposition to the Registration of any of the trade marks advertised herein according to these classes may within sixty (60) days from the date of this Journal, lodge a notice of opposition on form TM. No. 6 (in duplicate) together with a fee of Ksh.5,000/= (local opponent) or US\$ 250 (foreign opponent). The period of lodging the notice of opposition may be extended by the Registrar as he deems fit and upon such terms as he may direct. Any request for such extension should be made to the Registrar to reach him before the expiry of the period allowed.

Formal opposition should not be lodged until after a reasonable notice has been given in writing to the applicant for registration to afford him any opportunity of withdrawing his application before the expense of preparing the notice of opposition is incurred. Failure to give such notice will be taken into account in considering any application by an opponent for an order for costs if the opposition is uncontested by the applicant.

Representations of the marks advertised herein can be seen at the Trade Marks Registry, Kenya Industrial Property Institute, KIPRI Centre, Kabarsiran Avenue Off Waiyaki Way, Lavington, Nairobi.

---

(210): 83653 (220): 11/07/2014

(300): None (511): 31(Food stuff for animals & mineral salt.)

(526): Registration of this mark shall give no right to the exclusive use of the words 'HIGH', "PHOSPHOROUS" and 'BIOPLEX' each separately and apart from the mark as a whole The word FUGA means REAR in English (730): AVA CHEM LTD of P.O. Box 56781 - 00200, Nairobi, Kenya (740): None



**(210):** 83831 **(220):** 25/07/2014  
**(300):** None **(511):** 37(Building construction; repair; installation services.) **(526):** Registration of this Mark shall give no right to the exclusive use of the words "AUTO", "MOTIVE" & "DOCTOR" and the device of "STETHOSCOPE" each separately and apart from the Mark as a whole. **(730):** AUTOMOTIVE DOCTOR LIMITED of P. O. Box 28 - 01015, Nairobi, Kenya **(740):** Kinyanjui, Kirimi & Co. Advocates of P.O. Box 19750 - 00100, Nairobi, Kenya



**(210):** 105546 **(220):** 17/01/2019  
**(300):** None **(511):** 12(Automobiles, sports cars; vans (vehicles); trucks, motor buses, electric vehicles.) **(526):** None **(730):** KIA MOTORS CORPORATION, Corporation Republic of Korea of 12, Heolleung-ro, Seocho-gu, Seoul 06797, Republic of Korea **(740):** Ndungu Njoroge & Kwach Advocates of P. O. Box 41546 - 00100 Nairobi, Kenya

**RIO**

**(210):** 105670 **(220):** 24/01/2019  
**(300):** None **(511):** 41( Gaming, Lottery, Sporting Activities) **(526):** Registration of this mark shall give no right to the exclusive use of the word 'HELA' separately and apart from the mark as a whole. The translation into English of the Kiswahili words 'CHOMOA HELA' is 'REMOVE THE MONEY' **(730):** LYLE KENYA LIMITED of P. O. Box 22729 - 00400, Nairobi, Kenya **(740):** None

**CHOMOA HELA**

**(210):** 108771 **(220):** 16/08/2019  
**(300):** None **(511):** 16(Paper and cardboard; printed matter; bookbinding material; photographs; stationery and office requisites, except furniture; adhesives for stationery or household purposes; drawing materials and materials for artists; paintbrushes; instructional and teaching materials; plastic sheets, films and bags for wrapping and packaging; printers' type, printing blocks.), 21(Household or kitchen utensils and containers; cookware and tableware, except forks, knives and spoons; combs and sponges; brushes, except paintbrushes; brush-making materials; articles for cleaning purposes; unworked or semi-worked glass, except building glass; glassware, porcelain and earthenware.), 32(Beers; non-alcoholic beverages; mineral and aerated waters; fruit beverages and fruit juices; syrups and other non-alcoholic preparations for making beverages.) and 33(Alcoholic beverages, except beers; alcoholic preparations for making beverages.) **(526):** Registration of this mark shall give no right to the letters "E", "A", "B", "L", the numerals "1", "9", "2", the words "SINCE 1922", "CELEBRATING" and "LIFE" in class 16, 21, 32 and 33 and the device of "BARLEY per se" in classes 32 and 33 each separately and apart from the mark as a whole. **(730):** East African Breweries Limited of P. O. Box 30161, RUARAKA, 00100, Nairobi, Kenya **(740):** Coulson Harney Advocates of P.O. Box 10643 - 00100, Nairobi, Kenya



**(210):** 108772 **(220):** 16/08/2019  
**(300):** None **(511):** 16(Paper and cardboard; printed matter; bookbinding material; photographs; stationery and office requisites, except furniture; adhesives for stationery or household purposes; drawing materials and materials for artists; paintbrushes; instructional and teaching materials; plastic sheets, films and bags for wrapping and packaging; printers' type, printing blocks.), 21(Household or kitchen utensils and containers; cookware and tableware, except forks, knives and spoons; combs and sponges; brushes, except paintbrushes; brush-making materials; articles for cleaning purposes; unworked or semi-worked glass, except building glass; glassware, porcelain and earthenware.), 32(Beers; non-





alcoholic beverages; mineral and aerated waters; fruit beverages and fruit juices; syrups and other non-alcoholic preparations for making beverages.) and 33(Alcoholic beverages, except beers; alcoholic preparations for making beverages.) (526): Registration of this mark shall give no right to the letters "E", "A", "B", "L", the numerals "1", "9", "2", the words "SINCE 1922", "CELEBRATING" and "LIFE" in class 16, 21, 32 and 33 and the device of the "BARLEY per se" in classes 32 and 33 each separately and apart from the mark as a whole. (730): EAST AFRICAN BREWERIES LIMITED of P. O. Box 30161 - 00100, RUARAKA, Nairobi, Kenya (740): Coulson Harney Advocates of P. O. Box 10643 - 00100, Nairobi, Kenya

(210): 109881 (220): 06/11/2019

(300): None (511): 25(Coats; collars (clothing); clothing; shoes; hats; hosiery; layettes (clothing); trousers; scarves and girdles.) (526): None (730): YANG DONG of RM.3103, No.101, JIANGAN AVENUE, BAIYUN DISTRICT, GUANGZHOU, GUANGDONG, China (740): O & M Law Llp of P. O. Box 49393 - 00100, Nairobi, Kenya



(210): 112234 (220): 05/06/2020

(300): None (511): 41(Gaming, Lottery, Sporting Activities.) (526): Registration of this mark shall give no right to the exclusive use of the words 'BET' and 'STAR' each separately and apart from the mark as a whole. (730): LYLE KENYA LIMITED of P. O. Box 22729 - 00400, Nairobi, Kenya (740): None

STAR BET

(210): 117520 (220): 27/05/2021

(300): None (511): (526): Registration of this mark shall give no right to the exclusive use of the words 'GALANA', 'PURIFIED', 'DRINKING', 'WATER' and the device of a 'MOUNTAIN' each separately and apart from the mark as a whole. 'GALANA' is name of a place in North Eastern Wajir (730): GREEN LIGHT TRANSPORTERS LIMITED of P. O. Box 78674 - 00507, Nairobi, Kenya (740): None



(210): 117753 (220): 11/06/2021

(300): None (511): 33(Whiskey and alcoholic mixed beverages containing whiskey.) (526): None (730): JACK DANIEL'S PROPERTIES, INC. of 4040 Civic Center Drive, Suite 528, San Rafael, California 94903, United States of America (740): J. K. Muchae & Company Advocates of P. O. Box 60664 - 00200, Nairobi, Kenya

GENTLEMAN JACK

(210): 118446 (220): 29/07/2021

(300): None (511): 30(Coffee, tea, cocoa, sugar, rice, tapioca, sago, artificial coffee; flour and preparations made from cereals, bread, pastry and confectionery, ices; honey, treacle; yeast, baking powder; salt, mustard; vinegar, sauces (condiments); spices; ice) (526): Registration of this mark shall give no right to the exclusive use of the words "ORGANIC", "HONEY", the letters "K", "S" and the device of a "BEE" each separately and apart from the mark as a whole. (730): EDELWEISS INVESTMENTS LTD of P. O. Box 99053 - 80107, Mombasa, Kenya (740): Gichachi & Company Advocates of P. O. Box 79659 - 00200, Nairobi, Kenya



(210): 118447 (220): 29/07/2021

(300): None (511): 29(Edible oils and fats: coconut butter, coconut fat, coconut oil.) (526): Registration of this mark shall give no right to the exclusive use of the words "COLD", "PRESSED", "COCONUT", "OIL" and the device of "PALM TREES" each separately and apart from the mark as a whole. (730): EDELWEISS INVESTMENTS LTD of P. O. Box 99053 - 80107, MOMBASA, Kenya (740): Gichachi & Company Advocates of P. O. Box 79659 - 00200, Nairobi, Kenya



(210): 118448 (220): 29/07/2021  
(300): None (511): 44(Medical services; veterinary services; hygienic and beauty care for human beings or animals; agriculture, horticulture and forestry services) (526): None (730): EDELWEISS INVESTMENTS LTD of P. O. Box 99053 - 80107, MOMBASA, Kenya (740): Gichachi & Company Advocates of P. O. Box 79659 - 00200, Nairobi, Kenya



(210): 118520 (220): 30/07/2021  
(300): None (511): 3(Non-medicated cosmetics and toiletry preparations; non-medicated dentifrices; perfumery, essential oils; bleaching preparations and other substances for laundry use; cleaning, polishing, scouring and abrasive preparations.) (526): None (730): ELLENA BEAUTY WORLD LIMITED of P. O. Box 3672 - 00100, Nairobi, Kenya (740): None



(210): 118965 (220): 31/08/2021  
(300): None (511): 35(advertising; business management; business administration; office functions) and 36(financial affairs; monetary affairs) (526): Registration of this mark shall give no right to the exclusive use of the letters "K", "W", "B", "W", the words "GROWTH" and "HUB" each separately and apart from the mark as a whole. (730): KINGDOM BANK LIMITED of P. O. Box 22741 - 00400, Kingdom Bank Towers, Nairobi, Kenya (740): None



(210): 120341 (220): 01/12/2021  
(300): None (511): 34(Tobacco, raw or manufactured; tobacco products; tobacco substitutes (not for medical purposes); all for the purpose of being heated but not burnt; smokers' articles; electronic devices and their parts for the purpose of heating tobacco.) (526): None (730): BRITISH AMERICAN TOBACCO (BRANDS) LIMITED, a Limited Company England and Wales of Globe House, 4 Temple Place, London WC2R 2PG, United Kingdom (740): Iseme, Kamau & Maema Advocates of P. O. Box 11866 - 00400, Nairobi, Kenya



(210): 120798 (220): 10/01/2022  
(300): None (511): 3(Bleach, dishwashing liquid, disinfectant, shower gel, carpet shampoo, toilet bowl stain remover, fabric softener, multipurpose detergent) and 5(Antibacterial handwash, sanitizers spray, sanitizer gel.) (526): None (730): VALID VENTURES LTD of P. O. Box 23377 - 00604, Nairobi, Kenya (740): None



(210): 121667 (220): 14/03/2022  
(300): None (511): 32(Purified drinking water) (526): Registration of this mark shall give no right to the exclusive use of the words "PURIFIED", "DRINKING" and "WATER" each separately and apart from the mark as a whole. (730): TRENTPLUS GROUP LIMITED of P. O. BOX 415 - 00902, KIKUYU, Kenya (740): None



(210): 121852 (220): 29/03/2022  
(300): None (511): 31(Agriculture, horticulture and forestry products and grains not included in other classes; planting; live animals, fresh fruits and vegetables, seeds, natural plants and flowers; foodstuffs for animals; malt.) and 42(Scientific and technological services and research and design relating thereto; industrial analysis and research services; design and development of computer hardware and software) (526): Registration of this mark shall give no right to the exclusive use of the words 'FARM' and "CLOUD" each separately and apart from the mark as a whole. (730): SYNNEFA GREEN LIMITED of P. O. Box 23170 - 00505 Bishop Magua Centre, Nairobi, Kenya (740): None



**(210):** 121853 **(220):** 29/03/2022

**(300):** None **(511):** 31(Agriculture, horticulture and forestry products and grains not included in other classes; planting; live animals, fresh fruits and vegetables, seeds, natural plants and flowers; foodstuffs for animals; malt.) and 42(Scientific and technological services and research and design relating thereto; industrial analysis and research services; design and development of computer hardware and software) **(526):** Registration of this mark shall give no right to the exclusive use of the word "FARM" separately and apart from the mark as a whole. **(730):** SYNNEFA GREEN LIMITED of P. O. Box 23170 - 00505, Bishop Magua Centre, Nairobi, Kenya **(740):** None

**FormShield**  
by Synnefa

**(210):** 122045 **(220):** 12/04/2022

**(300):** None **(511):** 38(Broadcasting of television programs; cable television broadcasting services; electronic transmission and delivery and broadcasting of audio, video and mul timedia entertainment content, namely, text, data, images, audio, video and audiovisual files by means of the internet, wireless communication, electronic communications networks and computer networks; electronic transmission and streaming of digital media content for others via global and local computer networks; electronic transmission of voice, data and images by television and video broadcasting) and 41(Entertainment services; television entertainment services; motion picture, video and theatre entertainment services; production, presentation, showing, distribution, exhibition, syndication, networking and rental of television programmes, features and films, animated films and sound and video recordings; production of television shows and movies; production of live entertainment; amusement and theme park rides; amusement and theme park services; amusement and theme park services with the theme of television shows and movies; operation, administration, management and conduct of amusement and theme parks; amusement arcade services; amusement arcade machine rental services; publication of books, magazines and periodicals; providing online electronic publications; organization, production and presentation of competitions, contests, games, quizzes, exhibitions, events, shows, road shows, staged events, theatrical performances, concerts, live performances and audience participation events; organising talent contests and music and television a ward events; online information services relating to electronic games services provided by means of the internet or mobile phones; providing digital music (not downloadable) for the internet or mobile phones; electronic games services provided from a computer database or by means of the internet or by mobile phones; providing an online voting system via the internet or a wireless communication device for entertainment purposes; production and distribution of pre-recorded dvds, high-definition digital discs, and pre-recorded audio discs and non-disc digital storage media; production of animated motion pictures; providing online non-downloadable video clips and other mul timedia digital content containing audio, video, artwork, and/or text from or related to motion pictures or television shows; providing non- downloadable movies, television shows and cartoons; providing information in the fields of television entertainment, movies, games and music over computer networks and global communication networks or mobile phones; providing a website featuring non-downloadable television shows, movies, cartoons, and multimedia entertainment content, as well as information regarding television shows, movies, cartoons and mul timedia



entertainment content; entertainment in the nature of live performances and personal appearances by a costumed character.) **(526)**: Registration of this mark shall give no right to the exclusive use of the acronym "TV" separately and apart from the mark as a whole. **(730)**: PLUTO INC., a corporation organized under the laws of Delaware of 700 N. San Vicente Blvd., 9th Floor, West Hollywood, CA 90069, United States of America **(740)**: Coulson Harney Advocates of P. O. Box 10643 - 00100, Nairobi, Kenya

**(210)**: 122046 **(220)**: 12/04/2022

**(300)**: None **(511)**: 41(Entertainment services and provision of leisure facilities; Organisation and presentation of gambling or gaming events, poker games, betting, pool betting, tote betting, playing games, bingo games; Gambling or gaming services, betting, pool betting, tote betting, book-making and casino services; Electronic game and/or gaming services, interactive games, interactive entertainment and interactive competition services; Education, teaching and training relating to playing games, gambling, gaming, poker, bingo, betting, book making; Gaming, or entertainment provided online via the internet, by telephone, by radio or via a mobile communications network; Provision of betting, gambling and gaming services through physical and electronic sites; Provision of a website allowing a user to bet, gamble and play games, including poker and bingo among others; All the aforesaid services also provided on- line from a computer database, by telephony or the Internet; Providing information in the field of betting and gaming via a website; Provision of information services and advice in relation to all the aforesaid; Consultancy, advisory and information services relating to the foregoing services) **(526)**: None **(730)**: ENTAIN OPERATIONS LIMITED, a Gibraltar Company of Suite 6, Atlantic Suites, Europort Avenue, GX11 1AA, Gibraltar **(740)**: , Coulson Harney Advocates of P. O. Box 10643 - 00100, Nairobi, Kenya

**ENTAIN**

**(210)**: 122494 **(220)**: 18/05/2022

**(300)**: None **(511)**: 8(Hand tools and implements, hand-operated; cutlery; side arms, except firearms; razors) and 12(Vehicles; apparatus for locomotion by land, air or water; wheelbarrows) **(526)**: None **(730)**: VECTO TRADE 461 (PTY) LTD, a South African Company of 3 Sigma Road, Industries West, Germiston, 1401, Gauteng, South Africa **(740)**: Coulson Harney Advocates of P. O. Box 10643 - 00100, Nairobi, Kenya



**(210)**: 122570 **(220)**: 25/05/2022

**(300)**: None **(511)**: 5(Immunoassay reagents for medical use; Test strips for measuring blood glucose levels; reagent paper for medical purposes; Diabetic bread adapted for medical use; Anti-diabetic preparations; Enzyme preparations for medical purposes; Royal jelly for medical purposes; Mineral food supplements; Dietetic foods adapted for medical purposes; Diagnostic preparations for medical purposes.) and 10(Blood testing apparatus; diabetic monitoring apparatus; Laser blood sampling machines; haemoglobinometers; Apparatus for use in medical analysis; Apparatus for taking blood; Medical testing instruments; Medical apparatus and instruments; urological apparatus and instruments; Blood glucose meter.) **(526)**: Registration of this mark shall give no right to the exclusive use of the word "SAFE", the letters "A" and "Q" each separately and apart from the mark as a whole. Safe AQ has no meaning

**Safe AQ**



in this application. **(730)**: SINOCARE INC., a Corporation CHINA of NO. 265 Guyuan Road, Hi-tech Zone, Changsha, Hunan Province, 410205, China **(740)** Kenya **dence**: CFL Advocates of P. O. Box 23555 - 00100, Nairobi, Kenya

**(210)**: 122704 **(220)**: 06/06/2022

**(300)**: None **(511)**: 18(Leather, luggage and carrying bags), 25(Clothing, footwear and headgear) and 41(Sports, fitness training services) **(526)**: None **(730)**: UNTAMED MUSCLE FITNESS of P. O. Box 43444 - 00600, Nairobi, Kenya **(740)**: None



**(210)**: 123500 **(220)**: 02/08/2022

**(300)**: None **(511)**: 41(Education ; Training) **(526)**: Registration of this mark shall give no right to the exclusive use of the words 'KENYA', 'SCHOOL', 'SECURITY', 'MANAGEMENT', the letters 'K', 'S', 'M' and the devices of a 'BOOK' and 'MAP OF KENYA' each separately and apart from the mark as a whole. **(730)**: KENYA SCHOOL OF SECURITY MANAGEMENT of P. O. Box 8346 - 00200, Nairobi, Kenya **(740)**: None



**(210)**: 124067 **(220)**: 16/09/2022

**(300)**: None **(511)**: 2(Coating composition in the nature of paint for industrial applications; Copying inks; Filled ink cartridges; Pigments: Printers' paste inks; Printing compositions in the nature of printing inks; Printing ink; Synthetic dyes; Toner cartridges, filled, for printers and photocopiers; Toner for printers and photocopiers.), 9(Laser printers; Inkjet printers; Impact printers; Thermal printers; Bar code printers; Digital colour printers; Scanners; Chips integrated circuits]: Printers; Controlling software for computer printers; Bar code scanners; Computer software applications, downloadable.) and 16(Ink; Stationery; Inking ribbons for computer printers; Inking sheets for document reproducing machines; Copying paper [stationery]; paper ribbons, other than haberdashery or hair decorations; Paper for recording machines; Label printing machines for household and stationery use; Label printing machines; label printing machine ribbons.) **(526)**: Registration of this mark shall give no right to the exclusive use of the letter 'G' separately and apart from the mark as a whole. **(730)**: ZHUHAI NINESTAR MANAGEMENT CO., LTD. of Room 105-67604 (Centralized Office Area), No.6 Baohua Road, Hengqin New District, Zhuhai, Guangdong, China **(740)**: Simba & Simba Advocates of P.O. BOX 10312 - 00100, Nairobi, Kenya



**(210)**: 124129 **(220)**: 21/09/2022

**(300)**: None **(511)**: 5(Ophthalmic preparations and substances.) **(526)**: None **(730)**: ALLERGAN, INC. of 1 N. Waukegan Road, North Chicago, Illinois 60064, United States of America **(740)**: J. K. Muchae & Company Advocates of P.O. Box 60664 - 00200, Nairobi, Kenya

**EXOCIN**

**(210)**: 124216 **(220)**: 26/09/2022

**(300)**: None **(511)**: 36(Insurance, retirement payment services & financial management of pension fund) **(526)**: Registration of this mark shall give no right to the exclusive use of the words 'WEKA', 'PESA', 'SAVE', 'RETIREMENT' and the device of a 'CLOCK' each separately and apart from the mark as a whole. The English translation of the Swahili words 'Weka and Pesa' is 'Put and Money' respectively. **(730)**: EKAPESA LIMITED of P. O. Box 23305 - 00100, ACK Garden House, 3rd Floor, Wing C, Nairobi, Kenya **(740)**: Magua Kenya & Mbatha Advocates of P. O. Box 7270 - 00300, Nairobi, Kenya



(210): 124352 (220): 04/10/2022

(300): None (511): 31(Products: Trees; seeds; seeds for growing plants; seeds for agricultural purposes; seeds for sowing; raw and unprocessed grains and seeds.) and 42(Services: Advisory services relating to scientific research; agricultural research; analysis of statistical data for scientific research; arranging and conducting scientific studies; arranging and conducting technical studies; biotechnology research; conducting of quality control tests; conducting of scientific studies; design and development of programs for data processing; development of computer software for data processing; environmental monitoring services; genetic engineering services relating to plants; research in the field of environmental conservation and protection; research relating to plant breeding; scientific advisory services; scientific laboratory services; scientific research and development; testing, analysis and evaluation of the goods and services of others for the purpose of certification; testing, inspection and research services in the fields of agriculture, livestock breeding and fisheries; research in the field of climate change; providing scientific information in the fields of climate change and global warming; research in the field of environmental protection.) (526): Registration of this mark shall give no right to the exclusive use of the words "GLOBAL" and "FOOD SYSTEM" each separately and apart from the mark as a whole. (730): CENTRO INTERNACIONAL DE AGRICULTURA TROPICAL of Km 17 Recta Cali-Palmira, Valle del Cauca., Colombia (740): CFL Advocates of P. O. Box 23555 - 00100, Nairobi, Kenya



(210): 124490 (220): 11/10/2022

(300): None (511): 16(Wrapping and packaging materials; paper and paper articles; cardboard and cardboard articles and printed matter.), 21(Glass and glass products; containers; articles made of glass; articles of glassware; articles of glass for household and kitchen use; coloured glass; crude glass; drinking glasses; semi-worked glass; glass receptacles; glass bottles, glass caps, glass jars; glass powder; moulded glass; rough glass; semi-finished glass; unprocessed glass.), 40(Material treatment of glass; decorating and colouring of glass; colouring of glass by surface treatment; application of coatings to glass; application of protective coatings to glass; bevelling of glass; glass blowing; glass polishing; glass etching; glass resurfacing.) and 42(Design of glass and of glass products; quality control of glass containers; research, design and development of glass and of glass products; technical services relating to glass packaging.) (526): Registration of this mark shall give no right to the exclusive use of the letters "A" and "G" each separately and apart from the mark as a whole. (730): ARDAGH PACKAGING INTERNATIONAL SERVICES LIMITED of Ardagh House, South County Business Park, Leopardstown, Dublin 18, Ireland (740): Iseme Kamau & Maema Advocates of P. O. Box 11866 - 00400, Nairobi, Kenya



(210): 124661 (220): 24/10/2022

(300): None (511): 36(Real estate.) (526): Registration of this mark shall give no right to the exclusive use of the words "RIARA", "ONE", "RESIDENCY", the letters "J", "P", "L" and "N per se" each separately and apart from the mark as a whole. (730): RIARA DELTA LIMITED of P. O. BOX 100803 - 00101, Nairobi, Kenya (740): None



(210): 124680 (220): 24/10/2022

(300): None (511): 9(Scientific, nautical, surveying, photographic, cinematographic, optical, weighing, measuring, signaling, checking (supervision), life-saving and teaching apparatus and instruments; electric and electronic apparatus and hardware, equipment for the storage and transmission of data and information for use in relation to banking, financial, insurance and general commercial transactions, including those conducted online via the Internet or a computer network, or by telephone or cellular telephone; software, systems, devices and platforms used to enable and facilitate electronic banking, financial, insurance or other commercial transactions, including those via the Internet or a computer network, or by telephone or cellular telephone; including data processing equipment and software for use in relation to banking and financial services including data processing equipment and software; downloadable electronic publications; apparatus and equipment for the electronic transfer of and/or financial data; telecommunication equipment; automated teller machines; money dispensing machines, electronic fund transfer, payment or point of sale apparatus, machines and terminals; card and bar code scanners; magnetic and magnetically encoded cards; programmable cards; smart cards; cards bearing coded data in magnetic form; cards bearing data for use in computers; cards bearing coded data in punched-out form; cards bearing data for use in data processing apparatus; cards bearing data for use in data storage apparatus; cards bearing electronically recorded data; cards bearing integrated circuits; cards bearing magnetic or encoded data for input; cards bearing micro-chips and computer cards containing chips; credit, charge, debit and/or cash cards; prepayment cards [encoded]; loyalty or gift cards [encoded], readers, scanners, parts and fittings for the aforementioned goods.), 16(Paper, cardboard and goods made from these materials, not included in other classes; printed matter; books, magazines, manuals, newspapers, newsletters, pamphlets; bookbinding material; photographs; stationery; artists' materials; paint brushes; typewriters, office requisites (except furniture); instructional and teaching materials (except apparatus); wrapping and packaging materials; plastic materials for packaging (not included in other classes); printers' type; printing blocks; printed publications; newsletters, reviews and publications; documentation relating to financial, banking, insurance and investment services or transactions; advertising materials; brochures, vouchers, cheques, cheque books; cheque book holders; paying-in books; bank cards, cash cards, cheque cards, debit cards, credit cards, charge cards, loyalty or gift cards all being other than encoded or magnetic cards.), 35(Advertising; business management; business administration; office functions; facilitation of commercial and business transactions, including those conducted online via the Internet or a computer network, or by telephone or cellular telephone; business strategy services; business appraisal and analysis services; database management services; provision of business and commercial advice and information provided by telephone or provided on-line from a computer database, computer network, global computer network or the Internet; business planning; business strategy services, business appraisals; business management assistance; business support; accounting; economic forecasting and analysis for business purposes; profit and cash flow forecasting, analysis and

UNU

planning, all being economic forecasting services; personnel management and employment consultancy; database management services, data processing, data verification and file management; computerized business information storage and retrieval; credit card registration services; procurement of goods and services on behalf of businesses; purchasing of goods and services for other businesses; business administration services for the processing of sales and transactions made on a global computer network or the Internet; the bringing together, for the benefit of others, of a variety of goods including but not limited to, business equipment, enabling customers to conveniently view and purchase those goods from a computer network website or an Internet website; offering for sale and the sale of goods in the retail and wholesale trade; customer loyalty reward schemes, customer care services; advisory, consultancy, information and helpline services relating to all of the aforesaid services ancillary or related to the aforementioned all in class 35.), 36(Insurance products and services; financial affairs; monetary affairs; real estate affairs; banking services; payment facilitation services, facilitation and rendering of banking and financial transactions, including those rendered online via the Internet or computer network, or by telephone or cellular telephone; services ancillary and related to all of the a foregoing, all in class 36.), 38(Telecommunications and communications services; providing user access to computer networks or the Internet for purposes of facilitating commercial. banking or financial transactions and electronic payments; providing telecommunications connections to the Internet or data bases for purposes of facilitating commercial, banking or financial transactions and electronic payments services ancillary and related to all of the a foregoing, all in class 38.), 41(Education; providing of training; entertainment; sporting and cultural activities; television entertainment; organizing and conducting of competitions; publication of printed matter, services ancillary and related to all of the a foregoing, all in class 41.), 42(Scientific and technological services and research and design relating thereto; industrial analysis and research services; IT services, design and development of computer hardware and software and computer systems; operation of websites and online transactional platforms; rental of computer hardware and software; leasing of access time to computer database; advisory, information, evaluations, consultancy services; services ancillary and related to all of the a foregoing, all in class 42.) and 44(Medical services; veterinary services; hygienic and beauty care for human beings or animals; agriculture, aquaculture, horticulture and forestry services.)

**(526):** UNU has no meaning in English. **(730):** THE STANDARD BANK OF SOUTH AFRICA LIMITED of 5 Simmonds Street, Johannesburg, 2001, Gauteng, South Africa **(740):** Coulson Harney Advocates of P. O. Box 10643 - 00100 Nairobi, Kenya

**(210):** 124700 **(220):** 25/10/2022

**(300):** None **(511):** 38(Broadcasting, transmission and radio broadcasting services for television programs, radio, Internet, and other media.) and 41(Organization, assembly, preparation, production and direction of television, radio, Internet and other media programs.) **(526):** Registration of this mark shall give no right to the exclusive use of the letters 'C, "R" "N" and the word 'DISTRIBUTION' each separately and apart from the mark as a whole. The Applicant claims the





following colours: GREEN, BLACK and BLUE. (730): RCN TELEVISION S.A. of Av. De Las Americas No. 65 - 82 Bogota D.C., Colombia (740): Iseme, Kamau & Maema Advocates of P. O. Box 11866 - 00400, Nairobi, Kenya

(210): 124701 (220): 25/10/2022

(300): None (511): 38(Broadcasting, transmission and radio broadcasting services for television programs, radio, Internet, and other media.) and 41(Organization, assembly, preparation, production and direction of television, radio, Internet and other media programs.) (526): Registration of this mark shall give no right to the exclusive use of the letters 'C', 'R', 'N' and the word 'STUDIOS' each separately and apart from the mark as a whole. The English translation of the Spanish word "ESTUDIOS" is "STUDIOS". (730): RCN TELEVISION S.A. of AV. DE LAS AMERICAS NO. 65 - 82 BOGOTA D.C., Colombia (740): Iseme, Kamau & Maema Advocates of P.O. Box 11866 - 00400, Nairobi, Kenya



(210): 124752 (220): 27/10/2022

(300): None (511): 3(Cosmetics, soaps, perfumery, essential oils, hair lotions, toothpaste, hair conditioners, bath preparations not for medical purposes, balms for medical purposes, cosmetic products for skin care, cosmetic creams, cosmetic products, deodorant, sunscreen preparations, massage gels other than for medical purposes, heated massage gels other than for medical purposes, cleansing milks, hair lotions, perfumes, cosmetic ointments, soaps against foot perspiration, soaps against perspiration, shampoo, dry shampoos, bath products, products for lip care, protective creams against chafing.), 9(Scientific, optical, measuring, signaling, checking (supervision), life- saving apparatus and instruments; protective helmets for sports, goggles for sports, cases for spectacles, distance measuring apparatus, satellite navigation systems, namely a global positioning system (GPS), personal protection devices for use against accidents. Downloadable virtual goods, namely, computer programs relating to sports equipment, sporting and gymnastic articles, bicycles, tents, cosmetics, helmets, sports goals, snowshoes, ski equipment, surf equipment, golf clubs, lighting, watches, exercise machines, balls, swimming equipment, food, beverages, footwear, clothing, headgear, eyewear, bags, games, toys and accessories for use in the metaverse and other online virtual environments; virtual reality game software.), 11(Apparatus for lighting, light bulbs, direction indicators bulbs for vehicles, anti-glare devices for vehicles (lamp fittings), diffusers [lighting], sockets for electric lights, vehicle lighting, LED lighting fixtures [LED] lights for bicycles, electric lamps, lighting lamps, flashlights, lighting lanterns, lamp mantles, vehicle headlights, torches for lighting, lamp chimneys, luminous tubes for lighting.), 14(Clocks, watches, chronometers.), 18(Leather and imitation leather; pelts and hides; harness articles; saddlery goods; riding crops; leather straps (saddlery); riding saddles; saddle trees; fastenings for saddles; saddle cloths for horses; mats for riding saddles; bridles (harness); harness straps; harness fittings of iron; bits for animals, blinders, tail guards for horses, nape guards, protective gaiters, traces (riding tack); muzzles; horse collars; horse blankets; garments for horses; halters; whips; feed bags; nose bags; knee-pads for horses; reins; empty cases used for storing equipment used for caring for horses; tool bags; rucksacks; travel bags; bags for campers, mountaineering sticks.), 20(Furniture, chairs (seats), bedding material (except linen), mattresses.), 21(Household or utensils and containers;

**DECATHLON**

combs and sponges; brushes (except paintbrushes); brush-making materials; steel wool; water bottles, refrigerating bottles, insulated bottles, heat-insulated containers, glasses (containers.), 22(Ropes (neither of rubber, nor for rackets, or musical instruments), string, fishing nets, nets for camouflage, tents, awnings, tarpaulins (neither safety tarpaulins, nor stroller covers), sails, raw fibrous textile materials.), 24(Bath linen (except clothing), bath towels.), 25(Clothing, footwear (excluding orthopedic footwear), headgear; underwear, footwear, socks vests, waders for fishing, parkas, anoraks; raincoats, blousons, caps, footwear (excluding orthopedic footwear), boots; swimwear; bath sandals and slippers; headbands; berets; hoods; sweaters; beach footwear; sports footwear; gloves; raincoats; mittens; pullovers; tee-shirts; visors, soles.), 28(Games, toys; gymnastic and sporting articles (except clothing, footwear and mats), nets for sports; game area separator; elbow pads, knee guards (sports articles); wristbands for playing sports, fishing articles, skis, coverings for skis, brakes for skis, ski bindings, edges for skis, ski poles, snowboards, snow surf boards, bobsleighs, snowshoes (sports articles), snowboards (snow surf boards), snowboard bindings, covers for snowboards; climbing walls; climbing harnesses; climbing holds (sports articles); building blocks (toys); hang gliders, paragliders, kites, ice skates, snowshoes (sports articles), kites; kite reels; balls for games; sailboards; surf boards without automotive power; boards used in the practice of water sports; breathing tubes; small balls, balls, nets for sports; skis, water skis, ski edges, ski bindings; flippers for swimming; swimming pools (sports or play articles); waterslides for swimming pools; swings, swimming buoys, snorkels, roller-skates, skateboards, scooters, footballs, balls for American football, rugby balls, basket balls, volleyballs, handballs, bags for balls, nets for balls, push carts for balls; balls, balls for baseball; nets for sports; hockey sticks, hockey pucks, bat for baseball, cricket bats; tees for baseball, tees for rugby; volley-ball aiming marks; goals, mini goals, football goals, hockey goals, covers for goals, rugby posts, basketball baskets, basketball backboards, posts and base plates for basketball, posts for volley-ball, fastenings for posts, nets for restricting circles for basketball, boundary markers for playing fields for team sports, tackle bags for rugby, grips, baseball bases; training accessories for sports especially hoops, slalom cones, slalom marker poles, blocks and markers for blocks, wall bars; physical rehabilitation apparatus and machines for physical exercises (appliances for gymnastics), abdominal boards, stationary exercise bicycles, chest expanders, sporting articles for golf, golf bag trolleys, divot repair tools (golf accessories), golf clubs, golf gloves, golf bags with or without wheels, balls, golf balls, nets for sport, golf products and accessories, sporting articles for billiard games, petanque balls, playing balls, shuffleboard (games), archery implements; bows for archery, darts, arrows, targets (sporting goods), skittles, catapults (sports article), strings for rackets, guts for rackets, frames for rackets, handles for rackets, rackets; balls for games; table tennis.), 29(Meat, fish, poultry and game; meat extracts; preserved fruits and vegetables, dried and cooked; jellies, jams, compotes; eggs, milk and milk products; edible oils and fats; dried fruit, milk beverages, mainly of milk, snacks from fruit, canned fish, canned fruit, canned meat, canned vegetables, preserved fruits, candied fruit / crystallized fruit, nuts prepared, gelatin, fruit jelly, jellies, meat jellies, soy milk, preserved vegetables, cooked

---

vegetables, dried vegetables, jams, milk shakes, soups, vegetable salads, fruit salads, yogurt, powdered eggs.), 30(Coffee, tea, cocoa, sugar, rice, tapioca, sago, coffee substitutes; flour and preparations made from cereals, bread, pastry and confectionery, energy bars made from cereals; ices; honey, treacle; yeast, baking powder; salt, mustard; vinegar, sauces (condiments); spices; ice; glucose powder, liquid or capsule form; carbohydrates for human food, high-protein cereal bars, chocolates, muesli, macaroni, maltose, pasta, fruit pastes, food prepared with noodles, cereal preparations, freeze-dried ready meals, dehydrated ready meals.), 32(Mineral and aerated waters; non-alcoholic beverages and preparations for making beverages (except those based on coffee, tea or cocoa and milk beverages); fruit drinks and fruit juices; syrups and other preparations for making beverages; energy drinks, diet drinks, sports drinks, protein drinks for athletes.), 35(Advertising; business management; business administration ; retail (or wholesale) store services and retail store services provided on any on-line (the Internet), mobile, wireless or remote (mail order, teleshopping) communication media, of clothing, clothing accessories, footwear, footwear accessories, headgear, optical goods and accessories, sports articles and equipment, multi-purpose sports bags, sports and fitness goods and accessories; bringing together, for the benefit of others, of goods (excluding the transportation thereof), namely clothing, clothing accessories, footwear, footwear accessories, headgear, optical goods and accessories, sports articles and equipment, multi-purpose sports bags, sports and fitness goods and accessories, enabling customers to view and purchase them conveniently; presentation for retail sale, on any communication media, of clothing, clothing accessories, footwear, footwear accessories, headgear, optical goods and accessories, sports articles and equipment, multi-purpose sports bags, sports and fitness goods and accessories; marketing activity; publication of publicity texts; direct mail advertising; bill-posting; demonstration of goods; sales promotion for others; commercial information and advice for consumers; administrative processing of purchase orders; services of sales promotion for others by means of customer loyalty schemes, loyalty scheme services involving or not involving the use of a card; organization of exhibitions and tests of sports goods for commercial or advertising purposes; small advertisements; personnel recruitment; retail store services for virtual goods, In connection with sports equipment, sporting and gymnastic articles, bicycles, tents, cosmetics, helmets, sports goals, rackets, ski equipment, surf equipment, clubs golf shoes, lighting fixtures, watches, exercise machines, balls, swimming equipment, food, beverages, footwear, clothing, headgear, eyewear, bags, games, toys and accessories, advertising in relation to virtual goods, in relation to sports equipment, sporting and gymnastic articles, bicycles, tents, cosmetics, helmets, sports goals, rackets, ski equipment, surf equipment, golf clubs, lighting apparatus, watches, exercise machines, balls, swimming equipment, food, beverages, footwear, clothing, headgear, eyewear, bags, games, toys and accessories.) and 41(Education; training; entertainment; sports and cultural activities; entertainment services, namely providing online non-downloadable virtual games, in connection with sports equipment, sporting and gymnastic articles, bicycles, tents,

---

cosmetics, helmets, sports goals, snowshoes, ski equipment, surfboards, golf clubs, lighting fixtures, watches, exercise machines, balls, swimming equipment, food, beverages, footwear, clothing, headgear, eyewear, bags, games, toys and accessories ; providing interactive web sites for virtual reality game services; providing interactive websites for virtual environment services for the entertainment of users; provision of virtual environments enabling the broadcast of entertainment content and sporting events; entertainment services, namely, organizing virtual shows, entertainment events and virtual sporting events; organization of online virtual sports competitions for entertainment purposes.) (526): None (730): DECATHLON, a Societe Europeenne of 4 Boulevard de Mons, 59650 Villeneuve D'ascq, France (740): KAPLAN & STRATTON ADVOCATES of P. O. BOX 40111 - 00100, Nairobi, Kenya

(210): 124874 (220): 03/11/2022

(300): None (511): 7(Drilling machines; Compressed air machines; Drilling heads [parts of machines]; Mine borers; Centrifugal machines; Mineworking machines; Extractors for mines; Hydraulic ram [parts of machines; Compressors [machines]; Dynamos) (526): Registration of this mark shall give no right to the exclusive use of the device of "DRILLING MACHINE" per se separately and apart from the mark as a whole. (730): ZHEJIANG ZHIGAO MACHINERY CO., LTD of No.15, Bailing North Avenue Quajiang Economic Development Zone, Quzhou City, Zhengjiang Province, China (740): CFL Advocates of P. O. Box 23555 - 00100, Nairobi, Kenya



(210): 124969 (220): 08/11/2022

(300): None (511): 5(Pharmaceuticals, medical and veterinary preparations; sanitary preparations for medical purposes; dietetic food and substances adapted for medical or veterinary use, food for babies; dietary supplements for humans and animals.) (526): None (730): INVENTIA HEALTHCARE LIMITED of Unit 703 - 704, 7th Floor, Hubtown Solaris, N.S. Phadke Marg, Andheri (East) Mumbai - 400069, India (740): Muthoni Advocates of P.O. Box 28397 - 00200, Nairobi, Kenya

**AFLODOR**

(210): 125160 (220): 16/11/2022

(300): None (511): 5(Pharmaceuticals and Medicinal and dietetic food and substances adapted for medical use for treatment of proper functioning of urinary system.) (526): Registration of this trademark shall give no right to the exclusive use of the word "PLUS" separately and apart from the mark a a whole. (730): GLENMARK HOUSE of HDO-Corporate Building, Wing-A B.D Sawant Marg, Chakala, Off Western Express Highway, Andheri (East), Mumbai 400099, India (740): Gichachi & Company Advocates of P.O. Box 79659 - 00200, 00200, Nairobi, Kenya

**COBILD PLUS**

(210): 125223 (220): 18/11/2022

(300): None (511): 1(Cultures and preparations of microorganisms, other than for medical or veterinary use; Substances and preparations regulating the growth of plants; Soil improving preparations, agents and chemicals; Chemicals for use in agriculture, except fungicides, herbicides, insecticides and parasiticides; Chemicals for use in horticulture, except fungicides, herbicides, insecticides and parasiticides; Chemical for use in forestry, except fungicides, herbicides, insecticides and parasiticides; Substrates for off-soil cultivation and agricultural purposes.) (526): None (730): BIOMA INDUSTRIA COMERCIO E DISTRIBUICAO - EIRELI of



Estrada Rural Adao Roik, 1636, CEP 83.835-899, Area Rural de Fazenda Rio Grande/PR, Brazil **(740)**: Gichachi & Company Advocates of P. O. Box 79659 - 00200, Nairobi, Kenya

**(210)**: 125295 **(220)**: 22/11/2022

**(300)**: None **(511)**: 5(Pharmaceuticals.) **(526)**: None **(730)**: DUA HEALTHCARE LTD of P. O. BOX 119 - 10101, Nairobi, Kenya **(740)**: None

**OSTEONIX**

**(210)**: 125296 **(220)**: 22/11/2022

**(300)**: None **(511)**: 5(Pharmaceuticals.) **(526)**: None **(730)**: DUA HEALTHCARE LTD of P. O. BOX 119 - 10101, Nairobi, Kenya **(740)**: None

**MANLY**

**(210)**: 125416 **(220)**: 29/11/2022

**(300)**: None **(511)**: 29(Meat, fish, poultry and game; meat extracts; preserved, dried and cooked fruits and vegetables; jellies, jams, compotes; eggs, milk and milk products; edible oils and fats.) and 30(Coffee, tea, cocoa, and artificial coffee; rice, tapioca and sago; flour and preparations made from cereals; bread, pastry and confectionery; ices; honey, treacle; yeast, baking-powder; salt; mustard; vinegar, sauces (condiments); spices; ice.) **(526)**: Registration of this mark shall give no right to the exclusive use of the device of "LEAVES" separately and apart from the mark as a whole. The transliteration of the Arabic characters is 'ALBAL', which is an invented word with no meaning in English **(730)**: MOHAMED AHMED BA SALEM of October street, Mukala, Hadramount, Yemen **(740)**: Gichachi & Company Advocates of P. O. Box 79659 - 00200, Nairobi, Kenya



**(210)**: 125543 **(220)**: 08/12/2022

**(300)**: None **(511)**: 39(Packaging) **(526)**: Registration of this mark shall give no right to the exclusive use of the word 'BUTLERS' separately and apart from the mark as a whole. **(730)**: INAGIB INVESTMENTS LTD of P. O. Box 1519 - 00606, Nairobi, Kenya **(740)**: None



**(210)**: 125661 **(220)**: 14/12/2022

**(300)**: None **(511)**: 32(Beers; mineral and aerated waters and other non-alcoholic beverages; fruit beverages and fruit juices; syrups and other preparations for making beverages) and 35(Advertising; business management; business administration; office functions) **(526)**: None **(730)**: JOJO BEVERAGES LIMITED of P. O. Box 17141 - 00100, Nairobi, Kenya **(740)**: None

**JOJO**

**(210)**: 125805 **(220)**: 22/12/2022

**(300)**: None **(511)**: 1(Chemicals for use in industry, science, as well as in agriculture, horticulture and forestry; compost, manures, fertilizers; biological preparations for use in industry and science.) and 5(Herbicides, pesticides, insecticides, fungicides, vermicides, rodenticides, weedicides, preparations for killing weeds and destroying vermin.) **(526)**: None **(730)**: UPL CORPORATION LIMITED of 6th Floor, Suite 157B, Harbor Front Building, President John Kennedy Street, Port Louis, Mauritius **(740)**: Ensafrika NBMA Advocates LLP of P. O. Box 12342 - 00100, Nairobi, Kenya

**PANTERA**

**(210)**: 125944 **(220)**: 11/01/2023

**(300)**: None **(511)**: 5(Medicinal and Pharmaceutical preparations) **(526)**: None **(730)**: ZYDUS LIFESCIENCES LIMITED, a public company duly incorporated in India of Zydus Corporate Park, Khoraj (Gandhinagar) Nr. Vaishnodevi Circle, Sarkhej Gandhinagar Highway Ahmedabad- 382481, Gujarat, India **(740)**: Ensafrika NBMA Advocates LLP of P. O. Box 12342 - 00100, Nairobi, Kenya

**VIVITRA**



---

(210): 125945 (220): 11/01/2023

(300): None (511): 5(Medicinal and Pharmaceutical preparations) (526): None (730): ZYDUS LIFESCIENCES LIMITED a public company duly incorporated in India of Zydus Corporate Park, Khoraj (Gandhinagar) Nr. Vaishnodevi Circle, Sarkhej Gandhinagar Highway Ahmedabad- 382481, Gujarat, India (740): Ensafrica NBMA Advocates LLP of P.O. Box 12342 - 00100, Nairobi, Kenya

**UJVIRA**

---

(210): 125946 (220): 11/01/2023

(300): None (511): 5(Medicinal and Pharmaceutical preparations) (526): None (730): ZYDUS LIFESCIENCES LIMITED, a public company duly incorporated in India of Zydus Corporate Park, Khoraj (Gandhinagar) Nr. Vaishnodevi Circle, Sarkhej Gandhinagar Highway Ahmedabad- 382481, Gujarat, India (740): Ensafrica NBMA Advocates LLP of P. O. Box 12342 - 00100, Nairobi, Kenya

**EXEMPTIA**

---

(210): 125947 (220): 11/01/2023

(300): None (511): 5(Medicinal and Pharmaceutical preparations) (526): None (730): ZYDUS LIFESCIENCES LIMITED, a public company duly incorporated in India of Zydus Corporate Park, Khoraj (Gandhinagar) Nr. Vaishnodevi Circle, Sarkhej Gandhinagar Highway Ahmedabad- 382481, Gujarat, India (740): Ensafrica NBMA Advocates LLP of P. O. Box 12342 - 00100, Nairobi, Kenya

**PEGSTIM**

---

(210): 125949 (220): 11/01/2023

(300): None (511): 5(Medicinal and Pharmaceutical preparations) (526): None (730): ZYDUS LIFESCIENCES LIMITED a public company duly incorporated in India of Zydus Corporate Park, Khoraj (Gandhinagar) Nr. Vaishnodevi Circle, Sarkhej Gandhinagar Highway Ahmedabad- 382481, Gujarat, India (740): Ensafrica NBMA Advocates LLP of P. O. Box 12342 - 00100, Nairobi, Kenya

**BRYXTA**

---

(210): 125950 (220): 11/01/2023

(300): None (511): 5(Medicinal and Pharmaceutical preparations) (526): None (730): ZYDUS LIFESCIENCES LIMITED, a public company duly incorporated in India of Zydus Corporate Park, Khoraj (Gandhinagar) Nr. Vaishnodevi Circle, Sarkhej Gandhinagar Highway Ahmedabad- 382481, Gujarat, India (740): Ensafrica NBMA advocates LLP of P. O. Box 12342 - 00100, Nairobi, Kenya

**COLSTIM**

---

(210): 126047 (220): 18/01/2023

(300): None (511): 7(Machines and machinery tools) and 11(Steaming and heating.) (526): Registration of this mark shall give no right to the exclusive use of the acronym 'UK' separately and apart from the mark as a whole. (730): ALAMDAR TRADING CO LTD of P.O. BOX 40956 - 00100, Nairobi, Kenya (740): None

**METROPOLIS UK**

---

(210): 126076 (220): 20/01/2023

(300): None (511): 5(Human & veterinary medicines) (526): Registration of this mark shall give no right to the exclusive use of the sign '+' separately and apart from the mark as a whole. (730): COSMOS LIMITED of P. O. Box 41433 - 00100 Nairobi, Rangwe Road, Off Lunga Lunga Road, Kenya (740): None

**COS-PEN + STREP**

---

(210): 126257 (220): 30/01/2023

(300): None (511): 5(Pesticides, fungicides, herbicides, insecticides) (526): None (730): ADAMA MAKHTESHIM LTD of P. O. Box 60, Beer Sheva 8410001, Israel (740): Coulson Harney Advocates of P. O. Box 10643 - 00100, Nairobi, Kenya

---

**ORIUS**

(210): 126409 (220): 09/02/2023

**CENCORA**

(300): None (511): 35(Computerized on-line ordering services in the field of office supplies and office equipment; retail services connected with the sale of veterinary supplies featuring animal care and grooming products, animal nutritional supplements and medication; inventory management; livestock management services for managing livestock for others on an individual animal and herd basis for both dairy animals and meat producing animals, namely, providing customized business management programs for individual animal information collection and business management; providing information on marketing in the field of animal management; recording and managing inventories of pharmaceuticals, feed and other consumed products, managing quality assurance by monitoring nutrition, weight and health of individual animals with milk or meat withholds, providing individual animal identification tracking, trace-back and monitoring services through its supply chain for compliance with process, age, source and N.A.I.S. requirements, creating management reports concerning the foregoing on an individual animal and herd basis, namely, creating financial reports, and graphs, profit and loss statements, milk and/or meat products reports and graphs, medical and health reports and graphs, treatment histories and future protocol treatments, feed ration intake and adjustment reports, and individual animal expense reports; Marketing services in the field of animal health products; marketing services, namely, promoting retail sale of products for animal use; Mail order retail services connected with veterinary pharmacy products; Retail pharmacy services, namely, a licensed pharmacy serving veterinarians and their clients by filling prescriptions from veterinarians and shipping pharmaceuticals and other prescription products directly to the veterinarian's clients, with applicable product uses and directions; Distributorships in the field of specialty pharmaceutical products; distributorship services for livestock and commercial feedmills in the field of livestock medications, chemicals, nutrients, and growth stimulants; retail services by direct solicitation by sales agents featuring computer hardware, computer software, radio frequency animal identification tags, and radio frequency identification tag technology, all capable of utilizing a uniform set of database standards for tracking and tracing back movements of individual animals in the meat and dairy industries through a supply chain from producers to processor back to market.) and 42(Software as a service in the field of animal health and veterinary practice; providing non-downloadable computer software for use in developing and managing animal records, animal clinical records, animal treatment history, animal herd health, and animal owner information; providing online non-downloadable software for use in management of animal health, veterinary records, business and financial records, ordering, and product sales reporting; platform as a service (PAAS) services featuring computer software platforms for use in supporting veterinary practices featuring scheduling and appointments, equipment availability, reporting and business intelligence, financial management, clinical record management, product availability and wholesale ordering; platform as a service (PAAS) services featuring computer software using artificial intelligence for use in analyzing business and financial records, animal records, inventory, disease prevalence tracking, and animal and agricultural



production; platform as a service (PAAS) services featuring computer software for management of orders and deliveries, stock control, stock management, inventory management, disease prevalence tracking, practice management, invoicing, payment processing, accounting, human resources management, client and patient record management, appointment management, management of clinical records, clinical diagnostics, and communications, all in the animal health and veterinary fields; platform as a service (PAAS) services featuring computer software platforms for use in delivering veterinary telehealth and telemedicine services; providing non-downloadable computer software for use in delivering veterinary telehealth and telemedicine services; platform as a service (PAAS) services featuring computer software platforms for use in animal owner management of pet, equine and herd health; platform as a service (PAAS) services featuring computer software platforms for use by manufacturers, distributors, pharmaceutical suppliers, animal healthcare suppliers, animal health providers and animal owners in animal and veterinary product sales and reporting, electronic prescription management, and dispensing; platform as a service (PAAS) services featuring computer software platforms for use by manufacturers and distributors in pharmaceutical product sales and reporting; platform as a service (PAAS) services featuring computer software platforms for use in communications between animal health providers and animal owners; designing, creating, maintaining and hosting online retail and electronic commerce websites for veterinary practices; Software as a service (SAAS) services, namely, hosting software for use by others for use for tracking, recording, storing and managing data for livestock, individual animals, equipment, employees and herd management; leasing of computer hardware, computer software, radio frequency animal identification tags, and radio frequency identification tag technology, all capable of utilizing a uniform set of database standards for tracking and tracing back movements of individual animals in the meat and dairy industries through a supply chain from producers to processor back to market, namely, animal reconciliation processing, individual animal data collection and traceback.)  
**(526):** None **(730) Applicant:** CENCORA, INC. of 1 West First Avenue, Conshohocken Pennsylvania 19428, United States of America **(740):** Coulson Harney Advocates of P. O. Box 10643 - 00100, Nairobi, Kenya

**(210):** 126661 **(220):** 24/02/2023

**(300):** None **(511):** 25(Garments.) **(526):** None **(730):** TOP NEW KNITWEAR MANUFACTURING EPZ KENYA LIMITED of P. O. BOX 292 - 00204, Nairobi, Kenya **(740):** None

**WIN WIN**

**(210):** 126714 **(220):** 28/02/2023  
**(300):** None **(511):** 29(Meat, fish, poultry and game; meat extracts; preserved, frozen, dried and cooked fruits and vegetables; jellies, jams, compotes; eggs; milk, cheese, butter, yogurt and other milk products; oils and fats for food.), 30(Coffee, tea, cocoa and artificial coffee; rice, pasta and noodles; tapioca and sago; flour and preparations made from cereals; bread, pastries and confectionery; chocolate; ice cream, sorbets and other edible ices; sugar, honey, treacle; yeast, baking powder; salt, seasonings, spices, preserved herbs; vinegar, sauces and other condiments; ice (frozen water).) and 43(Services for providing food and drink; temporary accommodation.) **(526):** Registration of this mark shall give no right to the exclusive use of the word 'Coffee' and "house" each separately and apart from the mark as a whole.  
**(730):** BUJMAY KENYA LIMITED of P. O. Box 22701 - 00100, Nairobi, Kenya **(740):** None



**(210):** 126856 **(220):** 10/03/2023  
**(300):** None **(511):** 5(Herbicides, fungicides, pesticides.) **(526):** Registration of this mark shall give no right to the exclusive use of the letters "D", "G", "W", the numerals "0" and "5" each separately and apart from the mark as a whole.  
**(730):** DVA AGRO EAST AFRICA LTD of Spur Mall, Along Thika Superhighway, Ruiru 00232, Kenya **(740):** Ndungu Njoroge & Kwach Advocates of P. O. Box 41546 - 00100, Nairobi, Kenya

RAGNAR 500 WDG

**(210):** 126971 **(220):** 10/03/2023  
**(300):** None **(511):** 42(Scientific and technological service, research, design, Industrial analysis, design and development of computer hardware and software.) **(526):** The translation into English of the Kiswahili word 'Ahidi' is 'Promise'. **(730):** AGIZO PTY TECH LTD P.O. Box 5683-30100, Nairobi, Kenya **(740):** None

ahidi

**(210):** 127024 **(220):** 23/03/2023  
**(300):** None **(511):** 5(Pharmaceutical preparations) **(526):** None **(730):** SWISS LINK LIMITED of P. O. Box 18576 - 00100, Nairobi, Kenya **(740):** None

ZACLOPAR

**(210):** 127029 **(220):** 23/03/2023  
**(300):** None **(511):** 6(Metal pipes) **(526):** Registration of this mark shall give no right to the exclusive use of the letters 'S' and 'K' each separately and apart from the mark as a whole. The name KAWANISHI is a Japanese name and may not have English translation. **(730):** SK - KAWANISHI CO. LTD of P. O. Box 50834 - 00100, Woodlands Office Park, 4th Floor, Woodlands Road, Nairobi, Kenya **(740):** Magua & Mbatha Advocates of P. O. Box 7270 - 00300, Nairobi, Kenya



**(210):** 127173 **(220):** 03/04/2023  
**(300):** None **(511):** 42(Service of computer and technology services for securing computer data and personal financial information and for the detection of unauthorized access to data and information.) **(526):** None **(730):** JAMES PERU MMBONO of P. O. Box 4949, Nairobi, Kenya **(740):** Maina & Kenya Partners Advocates LLP of P. O. Box 11893 - 00100, Nairobi, Kenya

ACRONIS

**(210):** 127272 **(220):** 11/04/2023  
**(300):** None **(511):** 7(Agricultural machines; bending machines; cutting machines; dynamos; grinding machines; machines and apparatus for cleaning, electric; drilling machines; welding machines, electric compressed air machines; electric hammers; blowing machines.) **(526):** None **(730):** Suzhou Angel Import and Export Co., Ltd of Room 6-202, Changdao Garden, Suzhou City, China **(740):** CFL Advocates of P. O. BOX 23555 - 00100, Nairobi, Kenya



(210): 127295 (220): 12/04/2023

(300): None (511): 9(Software) (526): Registration of this trademark shall give no right to the exclusive use of the words "BORESHA", "KUZA" and "ENDELEZA" each separately and apart from the mark as a whole. The translation into English of the word 'NAWIRI', "BORESHA" "KUZA" and "ENDELEZA" respectively is 'BLOSSOM/ SPROUT', "IMPROVE", "DEVELOP" and "CONTINUE" (730): SOFTBYTE TECHNOLOGIES LTD of P. O. Box 72558 - 00200, Nairobi, Kenya (740): None



(210): 127349 (220): 12/04/2023

(300): None (511): 29(Frozen fruits; fruit pulps; processed acai berries; roasted nuts, namely, almonds; sweet peanuts.), 32(Acai smoothies; fruit drinks and vegetable-based drinks (non-alcoholic.) and 43(Restaurant Services; bars; cafes; provision of food and drink; carry-out food shops ; snack bar services; restaurant services specialized in sorbet and frozen desserts containing acai berry.) (526): Registration of this mark shall give no right to the exclusive use of the word "BERRY" separately and apart from the mark as a whole. (730): OAKBERRY ACAI INC. of 3802 NE 207th St Apt 2301, Miami, Florida 33180, United States of America (740): CFL Advocates of P. O. Box 23555 - 00100, Nairobi, Kenya

**OAKBERRY**

(210): 127434 (220): 20/04/2023

(300): None (511): 9(Application software for mobile phones; Mobile applications for use in lending money; computer operating programs, recorded; computer programs, downloadable; computer programs, recorded; computer software platforms, recorded or downloadable; computer software applications, downloadable; downloadable emoticons for mobile phones; downloadable e-wallets; downloadable graphics for mobile phones; encoded magnetic cards.) and 36(Financial, monetary and banking services including: Capital investment; clearing, financial; electronic funds transfer; e-wallet payment services; exchanging money; electronic transfer of virtual currencies; financial consultancy; financial exchange of virtual currency; financial management of reimbursement payments for others; financing services; issuance of tokens of value; lending against security; loans [financing]; online banking; organization of monetary collections; processing of credit card payments; processing of debit card payments; providing financial information; providing financial information via a website) (526): Registration of this mark shall give no right to the exclusive use of the letter 'P', the words 'PESA, 'PURSE', 'SECURE' and 'EASY' each separately and apart from the mark as a whole. 'PESAPURSE' is an invented word derived from the Swahili word 'PESA' meaning money and the English word purse. (730): SKYDUKA ENTERPRISE of P. O. Box 2255 - 00200, Nairobi, Kenya (740): None



(210): 127480 (220): 26/04/2023

(300): None (511): 5(Pharmaceutical preparations and substances) (526): None (730): TEVA PHARMACEUTICAL INDUSTRIES LTD, an Israeli company of Israel (740): ENSafrica NBMA Advocates LLP of P. O. Box 12342 - 00100, Nairobi, Kenya



**(210):** 127488 **(220):** 26/04/2023

**(300):** None **(511):** 20(Furniture) and 35(Retail services in the field of furniture and home furnishings.) **(526):** Registration of this mark shall give no right to the exclusive use of the words "INTERIORS", "EXPERIENCE" and "DISTINCTIONS" separately and apart from the mark as a whole. **(730):** NINA INTERIORS LIMITED of P. O. BOX 16388, Kampala, Uganda **(740):** Iseme, Kamau & Maema Advocates of P. O. Box 11866 - 00400, Nairobi, Kenya



**(210):** 127540 **(220):** 28/04/2023

**(300):** None **(511):** 5(Pharmaceutical and veterinary preparations; sanitary preparations for medical purposes; dietetic food and substances adapted for medical or veterinary use, food for babies; dietary supplements for human and animals; plasters materials for dressings; material for stopping teeth, dental wax; disinfectants; preparations for destroying vermin; fungicides, herbicides; Babies napkin-pants [diaper-pants]; diaper-pants (babies); Incontinents (Napkins for-); Incontinents (Pants, absorbent, for-); Menstruation Bandages; Menstruation knickers; Menstruation tampons; Sanitary knickers; Sanitary napkins; Sanitary pads; Sanitary panties; Sanitary tampons; Sanitary towels; Towels (Sanitary-).) **(526):** None **(730):** UNICHARM GULF HYGIENIC INDUSTRIES LTD of Riyadh, 2nd industrial city, zone F12, Riyadh, Saudi Arabia **(740):** Coulson Harney Advocates of P.O. Box 10643, 00100, Nairobi, Kenya



**(210):** 127594 **(220):** 02/05/2023

**(300):** None **(511):** 9(Downloadable computer software for use in searching, indexing, organizing, managing, processing, storing, retrieving, analyzing, and reporting information and data; downloadable computer software for collecting, managing, searching, and viewing records of transactions or activities on computer systems; downloadable computer software for performing analytics on and monitoring application performance of proprietary and open source software applications; downloadable computer software, namely, software for enabling artificial intelligence and machine learning.) and 42(Providing online non-downloadable software for use in searching, indexing, organizing, managing, processing, storing, retrieving, analyzing, and reporting information and data; providing online non-downloadable software for collecting, managing, searching, and viewing records of transactions or activities on computer systems; providing online non-downloadable software for performing analytics on and monitoring application performance of proprietary and open source software applications; technical support, namely, installation, administration, and troubleshooting of software applications; cloud computing services.) **(526):** None **(730):** ELASTICSEARCH B.V. of Keizersgracht 281, 1016 ED Amsterdam, Netherlands **(740):** Kaplan & Stratton Advocates of P. O. Box 40111 - 00100, Nairobi, Kenya

**ELASTICSEARCH**

**(210):** 127612 **(220):** 03/05/2023

**(300):** None **(511):** 4(Liquefied petroleum gas (LPG)) **(526):** Registration of this mark shall give no right to the exclusive use of the words "GAS", "CLEAN", "RENEWABLE", "ENERGY", "SUSTAINABLE" and "LIVING" each separately and apart from the mark as a whole. **(730):** RENERGE RESOURCES LIMITED of P. O Box 52223 - 00100, Nala Suites, Kandara Rd, Nairobi, Nairobi, Kenya **(740):** None



**(210):** 127696 **(220):** 09/05/2023

**(300):** None **(511):** 1(Chemicals and biochemical products for industrial and artisanal use for preparing and improving bakery and pastry products; chemical and biochemical products for preserving foodstuffs; enzymes for the food and beverage industries.) and 30(Yeast; yeast extracts; yeast products for food; yeast conditioners; leaven; baking powder; bread improvers; bread mixes; flatbread improvers including tortilla improvers; flour and preparations made from cereals.) **(526):** Registration of this mark shall give no right to the exclusive use of the letters "B" and "N" each separately and apart from the mark as a whole. **(730):** AB MAURI TECHNOLOGY PTY LIMITED of Level 2, Building A, 11 Talavera Rd, NORTH RYDE NSW 2113, Australia **(740):** Kaplan & Stratton Advocates of P. O. Box 4011 - 00100, Nairobi, Kenya

**AB MAURI**  
Kenya

**(210):** 127747 **(220):** 10/05/2023

**(300):** None **(511):** 3(Bleaching preparations and other substances for laundry use; cleaning, polishing, scouring and abrasive preparations; non-medicated soaps; perfumery, essential oils, non-medicated cosmetics, non-medicated hair lotions; non-medicated dentifrices; colour-removing preparation; stain remover; tissues impregnation with cosmetic lotion; varnish-removing preparation; oils for cosmetic purposes; perfumery; perfumes; petroleum jelly for cosmetic purposes; phytocosmetic preparations; pomades for cosmetic purposes; scented water; shampoos: shampoos for pets [non-medicated grooming preparations; shampoos for animals [non-medicated grooming preparations]; shaving stones [astringents]; shaving soap; shaving preparations; shining preparations [polish]; skin whitening creams / cream for whitening the skin; soap; Sunscreen preparations; Tissues impregnated with make-up removing preparations; Toilet water; detergents, other than for use in manufacturing operations and for medical purposes; douching preparations for personal sanitary or deodorant purposes [toiletries]; dry shampoos; eau de cologne; hair lotions; hair dyes / hair colorants; hair waving preparations / waving preparations for the hair; hair spray; hair conditioners; hair straightening preparations; henna [cosmetic dye]; herbal extracts for cosmetic purposes; hydrogen peroxide for cosmetic purposes; Javelle water / potassium hypochloride; laundry blueing; lip glosses; lipsticks; lotions for cosmetic purposes; make-up preparations; make-up removing preparations; make-up, make-up powder, mascara; massage gels, other than for medical purposes; moustache wax / mustache wax; mouthwashes, not for medical purposes; musk [perfumery]; nail varnish / nail polish; nail care preparations; nail varnish removers / nail polish removers; neutralizers for permanent waving; cleaning preparations; cleansers for intimate personal hygiene purposes, non medicated; collagen preparations for cosmetic purposes; cosmetic preparations for baths; cosmetic preparations for eyelashes; cosmetic kits; cosmetic pencils; cosmetic creams; cosmetic preparations for skin care; cosmetic dyes; cosmetics; deodorant soap; depilatory preparations / depilatories; depilatory wax; descaling preparations for household purposes; After-shave lotions; Air fragrancing preparations; Aloe vera preparations for cosmetic purposes; Antiperspirant soap; Aromatics [essential oils]; Balms, other than for medical purposes; Bath salts, not for medical purposes; Bath preparations, not for medical purposes; Beard dyes; bleaching preparations [decolorants] for cosmetic purpose; Beauty masks; cakes of toilet soap / cakes

**SILKY  
COOL**  
سيلكي كول



of soap.) **(526)**: Registration of this mark shall give no right to the exclusive use of the words "SILKY" and "COOL" each separately and apart from the mark as a whole. **(730)**: MILIA SHAMPO & COSMETICS PRODUCTION LLC SOLE PROPRIETORSHIP, a corporation duly organized and existing under the laws of Singapore of Plot No 10/D/164, Sajaa Emirates Industrial City, Sharjah, United Arab Emirates **(740)**: Coulson Harney Advocates of P. O. Box 10643 - 00100, Nairobi, Kenya

**(210)**: 127751 **(220)**: 11/05/2023

**(300)**: None **(511)**: 16(Computer magazines, magazine paper, books, magazines, newspapers and printing matters.), 35(Business management, business administration, office function) and 39(Transport, packaging, travel arrangements)

**(526)**: Registration of this mark shall give no right to the exclusive use of the words 'CONNECT' and 'DIGITAL' each separately and apart from the mark as a whole. **(730)**: LEOTECH CONNECT DIGITAL of P. O. Box 552 - 00623, Nairobi, Kenya **(740)**: None

**(210)**: 127769 **(220)**: 12/05/2023

**(300)**: None **(511)**: 9(Computer programs for use in trading stocks, bonds and securities; computer software for the collection and distribution of data, financial exchanges, financial transactions and news; computer software for connecting computers to local databases and global computer networks; computer software for searching data.), 35(Business information services, namely, company news, company analysis and profile information, earnings statements, estimates and guidelines, analyst presentations and recommendations, press releases and governmental regulatory filings, business investigation, business management, economic forecasting, business research and statistical information; information in the field of government affairs.), 36(Financial services in the nature of providing a securities trading system, namely, provision of a financial trading platform for trading of securities, shares and options and other derivative products; electronically providing the services of a securities trading broker, namely securities brokerage, objectively rating securities, namely, providing financial information in the nature of security ratings; providing analyses of securities markets and models that objectively rate securities; information services relating to financial news and energy brokerage services; information relating to finance and securities markets; news reporting services in the field of financial news.), 38(Radio and television broadcasting; providing on-line chat rooms for transmission of messages among computer users concerning the fields of news, research, computerized databases and other indexes of information, law, government and public records, business, finance, securities, securities markets, politics, current events, entertainment, sports, science and technology, health, travel, human interest stories and the energy industry; providing on-line electronic bulletin boards for transmission of messages among computer users concerning the fields of news, research, computerized databases and other indexes of information, law, government and public records, business, finance, securities, securities markets, politics, current events, entertainment, sports, science and technology, health, travel, human interest stories and the energy industry; electronic mail services; instant messaging services.) and 41(Providing news in the nature of current event reporting.)



**THE TERMINAL**

(526): None (730): BLOOMBERG FINANCE L.P. of 731 Lexington Avenue, New York, NY 10022, United States of America (740): ENSAfrica NBMA Advocates LLP of P. O. Box 12342 - 00100, Nairobi, Kenya

(210): 127819 (220): 15/05/2023

(300): None (511): 5(Pharmaceuticals) (526): Registration of this mark shall give no right to the exclusive use of the word 'ESOPRED' separately and apart from the mark as a whole.

(730): DUA HEALTHCARE LTD of P. O. Box 119 - 10101, Nairobi, Kenya (740): None

## ESOPRED

(210): 127820 (220): 15/05/2023

(300): None (511): 5(Pharmaceutical) (526): Registration of this mark shall give no right to the exclusive use of the letters 'M' and 'R' each separately and apart from the mark as a whole.

(730): DUA HEALTHCARE LTD of P. O. Box 119 - 10101, Nairobi, Kenya (740): None

## ACLOX-MR

(210): 127821 (220): 15/05/2023

(300): None (511): 5(Pharmaceutical) (526): Registration of this mark shall give no right to the exclusive use of the letter 'P' separately and apart from the mark as a whole.

(730): DUA HEALTHCARE LTD of P. O. Box 119 - 10101 Nairobi, Kenya (740): None

## ACLOX-P

(210): 127822 (220): 15/05/2023

(300): None (511): 5(Pharmaceutical) (526): Registration of this mark shall give no right to the exclusive use of the letter "V" and the numeral "6" each separately and apart from the mark as a whole.

(730): DUA HEALTHCARE LIMITED of P. O. Box 119 - 10101 Nairobi, Kenya (740): None

## CANDY-V6

(210): 127823 (220): 15/05/2023

(300): None (511): 5(Pharmaceutical) (526): None (730): DUA HEALTHCARE LIMITED of P. O. Box 119 - 10101 Nairobi, Kenya

(740): None

## AMOCLACID

(210): 127824 (220): 15/05/2023

(300): None (511): 5(Pharmaceutical) (526): Registration of this mark shall give no right to the exclusive use of the letters "I" and "T" each separately and apart from the mark as a whole.

(730): DUA HEALTHCARE LIMITED of P. O. Box 119 - 10101, Nairobi, Kenya (740): None

## ESOPRED IT

(210): 127825 (220): 15/05/2023

(300): None (511): 5(Pharmaceutical) (526): None (730): DUA HEALTHCARE LTD of P. O. Box 119 - 10101 Nairobi, Kenya

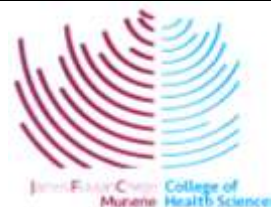
(740): None

## LEVOXID

(210): 127826 (220): 15/05/2023

(300): None (511): 41(Education; Providing educational training) (526): Registration of this mark shall give no right to the exclusive use of the words 'FLAVIAN', 'CHEGE', 'MUNENE', 'COLLEGE', 'HEALTH', 'SCIENCES', the letters 'J', 'F' and 'C' each separately and apart from the mark as a whole.

(730): JAMES FLAVIAN CHEGE MUNENE of P. O. Box 1786 - 01000, Munene Industries Thika Town, Kenya (740): None



(210): 127870 (220): 18/05/2023

(300): None (511): 30(Flour and preparations made from cereals; bread, pastry and confectionary; yeast, baking powder, sauces, spices, coffee, tea, sugar, cocoa) (526):

Registration of this mark shall give no right to the exclusive use of the words 'Pure', 'Healthy', 'Diabetic', and 'Treats' each separately and apart from the mark as a whole.

(730): MR. FOURRANOS GERASSIMOS of P. O. Box 45597 - 00100, Nairobi, Kenya (740): None





(210): 128139 (220): 26/05/2023

(300): None (511): 35(Advertising; business management; business administration; office functions.), 36(Insurance; financial affairs; monetary affairs; real estate affairs.), 42(Scientific and technological services and research and design relating thereto; industrial analysis and research services; design and development of computer hardware and software.) and 43(Services for providing food and drink; temporary accommodation.) (526): Registration of this mark shall give no right to the exclusive use of the word "FUTURE" and the letter "U" per se each separately and apart from the mark as a whole. (730): DUBAI WORLD TRADE CENTRE LLC of P. O. Box 9292, Dubai, United Arab Emirates (740): CFL Advocates of P. O Box 23555 - 00100, Nairobi, Kenya



(210): 128148 (220): 26/05/2023

(300): None (511): 22(Packing string; Wrapping or binding bands, not of metal; Packing rope; Ropes; Packing strings of plastic; Tarpaulins; Nets; Commercial fishing nets; Bags of textile for packaging; Textile fibres.) (526): Registration of this mark shall give no right to the exclusive use of the letters 'C', 'N' and 'S' each separately and apart from the mark as a whole. (730): Shengqun Zhou of Room 02, No.26 Building, Phoenix Garden, Taizhou City, Jiangsu Province, China (740): Simba & Simba Advocates of P. O Box 10312 - 00100, Nairobi



(210): 128204 (220): 02/06/2023

(300): None (511): 3(Perfumery; essential oils; body spray; perfumes; attar; non- alcoholic roll-on perfumes; fragrances; extracts of flowers; cosmetics.) (526): AL is an Arabic word which means "THE" in English. MATAF is an Arabic word which is a place of worship performed by the pilgrims. (730): M/S ALMAS PERFUME of shop No. Ground Floor, Plot No. 99, Haji Ahmed Devji Building (Haji Mahal), Mohammed Ali Road, Mumbai-400 003, India (740): Mwale Law Advocates LLP of P. O. Box 36729-00200, Nairobi



(210): 128205 (220): 02/06/2023

(300): None (511): 3(Perfumery; essential oils; body spray; perfumes; attar; non- alcoholic roll-on perfumes; fragrances; extracts of flowers; cosmetics.) (526): ALKAUSAR is an Arabic word. AL is an Arabic word which means "THE" in English and KAUSAR is an Arabic word which means a 'RIVER IN PARADISE'. (730): M/S ALMAS PERFUME of shop No. Ground Floor, Plot No. 99, Haji Ahmed Devji Building (Haji Mahal), Mohammed Ali Road, Mumbai-400 003, India (740): Mwale Law Advocates LLP of P. O. Box 36729 - 00200, Nairobi, Kenya



(210): 128217 (220): 02/06/2023

(300): None (511): 5(Pharmaceutical preparations) (526): Registration of this mark shall give no right to the exclusive use of the word 'FORTE' separately and apart from the mark as a whole. (730): SULUHU PHARMACEUTICALS LIMITED of P. O. Box 1966 - 60200, Meru, Kenya (740): None

**NEURONAV FORTE**

(210): 128219 (220): 02/06/2023

(300): None (511): 16(Paper, cardboard and goods made from these materials, not included in other classes; printed matter; newspapers, periodical publications; books; photographs; stationery; adhesives for stationery or household purposes; drawing materials and materials for artist; paintbrushes; instructional and teaching materials (except apparatus); plastic material for packaging (not included in other classes); playing cards; posters; pens; bookmarks; calendars; wrapping paper; notepads; greeting cards.) (526): None (730): CALLA PUBLIC RELATIONS LIMITED of P. O. Box 22872 - 00505, Nairobi, Kenya (740): None

MAGNA

**(210):** 128231 **(220):** 05/06/2023

**(300):** None **(511):** 16(Stationery birthday card & success cards) **(526):** None **(730):** OFFICE CHOICE LIMITED of P. O. Box 10087 - 00101, Nairobi, Kenya **(740):** None



**(210):** 128302 **(220):** 07/06/2023

**(300):** None **(511):** 16(Paper, cardboard and goods made from these materials, not included in other classes; printed matter; bookbinding material; photographs; stationery; adhesives for stationery or household purposes; artists' materials; paint brushes; typewriters and office requisites (except furniture); instructional and teaching material (except apparatus); plastic materials for packaging (not included in other classes); printers' type; printing blocks.) and 41(Education; providing of training; entertainment; sporting and cultural activities) **(526):** None **(730):** AFRICAN LEADERSHIP INTERNATIONAL LIMITED of 6th Floor, Tower A, 1 Exchange Square, Wall Street, Ebene 72201, Mauritius **(740):** Hamilton Harrison & Mathews of P. O. Box 30333 - 00100, Nairobi

## THE FUTURELIST

**(210):** 128314 **(220):** 07/06/2023

**(300):** None **(511):** 35(Advertising; Business Management! Administration; Manufacturing; Wholesale and retail of consumer goods, including but not limited to fast moving consumer goods) **(526):** Registration of this mark shall give no right to the exclusive use of the word 'HALISI' and the device of "MAIZE CORN" each separately and apart from the mark as a whole. The translation into English of the Kiswahili word 'Halisi' is 'Genuine/Original or Authenticate' **(730):** HAVILAH BRANDS KENYA LIMITED of P. O. Box 73969 - 00200, Nairobi, Kenya **(740):** None



**(210):** 128520 **(220):** 20/06/2023

**(300):** None **(511):** 9(Software especially autonomous flight software; antennas and aerials as communications apparatus; antennas for wireless communications apparatus; radio signal antennas; telecommunications antennas; computer terminals; data terminals, receiving terminals for signals; data entry terminals; data exit terminals.), 12(Aircraft especially high altitude aircraft; launching gear for air vehicles especially for high altitude aircraft; launching platforms for air vehicles especially high altitude aircraft; high altitude aircraft launch systems.), 19(Non-metal launching platforms for aircraft especially for high altitude aircraft.), 35(Transportation fleet (business management of -) [for others] especially aircraft fleet management services.), 37(Aircraft maintenance and repair services.), 38(Telecommunication services especially telecommunication via telephone, radio, television, video-telephony, satellites, computer networks, the public internet, and high altitude aircraft; broadband radio communication services; network transmission connectivity services; wireless broadband communication services; provision of broadband telecommunications access; broadband connectivity services; telecommunication access services; providing access to telecommunication networks; providing access to computer networks; teleport management services; internet service provider services.), 39(Air transportation services especially for high altitude aircraft payloads; freight air transportation services especially for high altitude aircraft payloads; cargo air transportation especially for high altitude aircraft payloads; passenger air transportation especially for high altitude aircraft payloads; air transportation services especially aircraft payload development services; freight air

## AALTOPORT

transportation services especially aircraft payload development services; cargo air transportation especially aircraft payload development services; passenger air transportation especially aircraft payload development services.), 40(Custom manufacturing of aircraft especially high altitude aircraft.), 42(Earth science services especially earth observation services; environmental surveys; environmental testing; environmental consultancy services, environmental hazard assessment; environmental assessment services; environmental monitoring services; compilation of environmental information; airborne remote monitoring relating to environmental explorations; airborne remote sensing relating to environmental explorations; compilation of information relating to environmental conditions; research in the area of environmental protection; research in the field of environmental conservation; environmental protection (Research in the field of -); research in the field of environmental protection; technical consultancy in the field of environmental science; technical consulting in the field of environmental engineering; engineering services in the field of environmental technology; environmental testing services to detect contaminants in water; consultancy services relating to research in the field of environmental protection; design and development of software especially autonomous flight software.) and 45(Security monitoring services.) **(526)**: The Applicant claims priority from trade mark application number 3862008 filed on 22 December 2022 in United Kingdom. **(730)**: AALTO HAPS LIMITED, a private limited company formed and existing under the laws of England and Wales of The Kelleher Building, Dingley Way, Farnborough, GU14 6FF, United Kingdom **(740)**: CFL advocates of P. O. Box 23555 - 00100, Nairobi, Kenya

**(210)**: 128521 **(220)**: 20/06/2023

**(300)**: None **(511)**: 9(Software especially autonomous flight software; antennas and aerials as communications apparatus; antennas for wireless communications apparatus; radio signal antennas; telecommunications antennas; computer terminals; data terminals, receiving terminals for signals; data entry terminals; data exit terminals.), 12(Aircraft especially high altitude aircraft; launching gear for air vehicles especially for high altitude aircraft; launching platforms for air vehicles especially high altitude aircraft; high altitude aircraft launch systems.), 19(Non-metal launching platforms for aircraft especially for high altitude aircraft.), 35(Transportation fleet (business management of -) [for others] especially aircraft fleet management services.), 37(Aircraft maintenance and repair services.), 38(Telecommunication services especially telecommunication via telephone, radio, television, video-telephony, satellites, computer networks, the public internet, and high altitude aircraft; broadband radio communication services; network transmission connectivity services; wireless broadband communication services; provision of broadband telecommunications access; broadband connectivity services; telecommunication access services; providing access to telecommunication networks; providing access to computer networks; teleport management services; internet service provider services.), 39(Air transportation services especially for high altitude aircraft payloads; freight air transportation services especially for high altitude aircraft payloads; cargo air transportation especially for high altitude aircraft payloads; passenger air transportation especially for high

**AALTO HAPS**

altitude aircraft payloads; air transportation services especially aircraft payload development services; freight air transportation services especially aircraft payload development services; cargo air transportation especially aircraft payload development services; passenger air transportation especially aircraft payload development services.), 40(Custom manufacturing of aircraft especially high altitude aircraft.), 42(Earth science services especially earth observation services; environmental surveys; environmental testing; environmental consultancy services, environmental hazard assessment; environmental assessment services; environmental monitoring services; compilation of environmental information; airborne remote monitoring relating to environmental explorations; airborne remote sensing relating to environmental explorations; compilation of information relating to environmental conditions; research in the area of environmental protection; research in the field of environmental conservation; environmental protection (Research in the field of -); research in the field of environmental protection; technical consultancy in the field of environmental science; technical consulting in the field of environmental engineering; engineering services in the field of environmental technology; environmental testing services to detect contaminants in water; consultancy services relating to research in the field of environmental protection; design and development of software especially autonomous flight software.) and 45(Security monitoring services.) **(526)**: The Applicant claims priority from trade mark application number 3861990 filed on 22 December 2022 in United Kingdom. **(730)**: AALTO HAPS LIMITED, a private limited company formed and existing under the laws of England and Wales of The Kelleher Building, Dingley Way, Farnborough, GU14 6FF, United Kingdom **(740)**: CFL Advocates of P. O. Box 23555 - 00100, Nairobi, Kenya

**(210)**: 128533 **(220)**: 20/06/2023

**(300)**: None **(511)**: 17(Unprocessed and semi-processed rubber, gutta- percha, gum, asbestos, mica and substitutes for all these materials; plastics and resins in extruded form for use in manufacture; packing, stopping and insulating materials; flexible pipes, tubes and hoses, not of metal.) **(526)**: Registration of this mark shall give no right to the exclusive use of the letters "M", "R" and the numeral "1" each separately and apart from the mark as a whole. **(730)**: ANCHOR ALLIED FACTORY L.L.C of P. O. Box 21152, Sharjah, United Arab Emirates **(740)**: Gichachi & Company Advocates of P.O. Box 79659 - 00200, Nairobi, Kenya



**(210)**: 128534 **(220)**: 20/06/2023

**(300)**: None **(511)**: 2(Paints, varnishes, lacquers; preservatives against rust and against deterioration of wood; colorants; mordant; raw natural resins; metals in foil and powder form for painters, decorators, printers, and artists.) **(526)**: Registration of this mark shall give no right to the exclusive use of the letters "M", "R" and the device of a "HUMAN BEING" each separately and apart from the mark as a whole. **(730)**: ANCHOR ALLIED FACTORY L.L.C of P. O. Box 21152, Sharjah, United Arab Emirates **(740)**: Gichachi & Company Advocates of P. O. Box 79659 - 00200, Nairobi, Kenya



(210): 128642 (220): 27/06/2023

(300): None (511): 30(Artificial coffee; beverages coffee-based; beverages tea-based; cakes rice; chicory coffee substitute; coffee; coffee artificial; coffee beverages with milk; coffee flavorings flavourings; coffee substitutes vegetal preparations for use as; coffee unroasted; coffee-based beverages; iced tea; rice; rice cakes; ricebased snack food; snack food rice-based; stick liquorice confectionery; sugar; sugar confectionery; tea; tea iced; tea-based beverages; vegetal preparations for use as coffee substitutes.) (526): The Arabic characters in the mark are a Transliteration of the words Abu Tair. (730): BIAN AL-FAJR For Trading Establishment of Okaz District, Building No. 7359, Secondary No. 4572, Riyadh 14731, Saudi Arabia (740): Gichachi & Company Advocates of P. O. Box 79659 - 00200, Nairobi, Kenya



(210): 128701 (220): 30/06/2023

(300): None (511): 30(Coffee, tea, cocoa and artificial coffee; rice; tapioca and sago; flour and preparations made from cereals; bread, pastry and confectionery; ices; sugar, honey, treacle; yeast, baking-powder; salt; mustard; vinegar, sauces (condiments); spices; ice) (526): Registration of this mark shall give no right to the exclusive use of the words 'PREMIUM', 'MAIZE' and 'MEAL' each separately and apart from the mark as a whole. (730): GREENVALLEY MILLERS LTD of P. O. Box 954 - 10100, Nyeri, Kenya (740): None

## GLOBAL PREMIUM MAIZE FLOUR

(210): 128726 (220): 04/07/2023

(300): None (511): 39(Transport; Transportation logistics services, namely, arranging the transportation of goods for others by air, truck, train and ship; Global transportation of freight for others by all available means; Freight and transport brokerage; Logistics services consisting of the storage, transport and delivery of goods; Loading, packing, storage by air, truck, train and ship, transportation and unloading of cargo; Providing information about transport services; Logistic delivery center services, namely, providing delivery of goods for others by air, rail, ship and truck; Parcel delivery; Delivery of goods by means of on-line orders; Consultancy services relating to transportation logistics; Transport and delivery of goods; Postal, freight and courier services; Same day delivery services; Transportation logistics information via computer communication networks; Packaging of goods for others; Packing of goods using sustainable or biodegradable packaging and shipping materials, Transportation, packing and storing of goods; Warehousing services relating to the storage, packaging and dispatch of goods; Rental of warehouse space; Rental of storage containers; Hazardous materials warehousing; Removal services, namely, unloading of cargo; Conducting sightseeing travel tours; Heat supplying [distribution]; Water supplying; Liquid fuel supplying by plumbing; Energy supplying) (526): Registration of this mark shall give no right to the exclusive use of the letters "C" and "J" each separately and apart from the mark as a whole. (730): CJ Corporation of 12, Sowol-Ro 2-Gil, Jung-Gu, Seoul, Republic of Korea (740): ENSAfrica NBMA Advocates of P. O. Box 12342 - 00100, Nairobi, Kenya





**(210):** 128755 **(220):** 05/07/2023  
**(300):** None **(511):** 5(Agricultural biopesticides; domestic biopesticides; insecticides for agricultural use; insecticides for domestic use; fungicides; biofungicides; herbicides; miticides; acaricides; nematocides.) **(526):** Registration of this mark shall give no right to the exclusive use of the words "DOUBLE" and "NICKEL" each separately and apart from the mark as a whole. **(730):** CERTIS U.S.A. L.L.C. LTD, a Liability Company Delaware, United States of 9145 Guilford Road, Suite 175, Columbia, Maryland 21046, United States of America **(740):** Iseme, Kamau & Maema Advocates of P. O. Box 11866 - 00400, Nairobi, Kenya

## DOUBLE NICKEL

**(210):** 128839 **(220):** 10/07/2023  
**(300):** None **(511):** 43(Services for providing food and drinks; Temporary accommodation) **(526):** Registration of this mark shall give no right to the exclusive use of the device of a "BUILDING" separately and apart from the mark as a whole. **(730):** SAGGY SUITES of P. O. Box 33 - 00502, Nairobi, Kenya **(740):** Senaji & Shani Advocates LLP of P. O. Box 23124-00505, Nairobi, Kenya



**(210):** 128899 **(220):** 13/07/2023  
**(300):** None **(511):** 35(Advertising; business management, organization, and administration; office functions.) and 39(Transporting; packaging and storage of goods; travel arrangements) **(526):** MESORA is a Kisii word with no meaning in English. **(730):** MESORA SUPERMARKET LTD of P. O. Box 54787 - 00200, Kenya **(740):** None

## MESORA

**(210):** 128902 **(220):** 13/07/2023  
**(300):** None **(511):** 21(Cups; containers for household or kitchen use; cooking utensils, non-electric; kitchen utensils; household containers of glass; porcelain ware; drinking vessels; insulated mugs; buckets; heat - insulated containers; thermally insulated containers for food; cleaning instruments, hand-operated.) **(526):** None **(730):** WUYI TACHISO DRINKWARE CORPORATION, Corporation China of No. 20 Mudan South Road, Shenzhai Village, Baiyang Industrial Function Zone, Baiyang Street, Wuyi County, Jinhua City Zhejiang Province, China **(740):** Simba & Simba Advocates of P. O. Box 10312 -00100, Nairobi, Kenya



**(210):** 128903 **(220):** 13/07/2023  
**(300):** None **(511):** 7(Lifts, other than ski-lifts; lifting apparatus; elevators [lifts]; hoists; elevating apparatus; handling apparatus for loading and unloading; moving walkways; elevator operating apparatus; conveying machines; elevator belts) **(526):** None **(730):** XIZI ELEVATOR CO., LTD, a company organized and existing under the laws of China of No. 2329 Science and Technology Av., Lin'an Economic Development Zone, Hangzhou, China **(740):** Simba & Simba Advocates of P. O. Box 10312 - 00100, Nairobi, Kenya



**(210):** 128911 **(220):** 13/07/2023  
**(300):** None **(511):** 33(Wines and spirits including; whisky, gin, vodka and rum) **(526):** Registration of this mark shall give no right to the exclusive use of the words "PREMIUM", "QUALITY", "TRIPLE", "DISTILLED", "RUSSIAN", "VODKA", the letter "V", the numerals "2" and "1", "1881" and "2023" each separately and apart from the mark as a whole. **(730):** WASSUMULLS INTERNATIONAL LLC of Office 2202, Regal Towers, AL Mustaqabal Street, Business Bay, P. O. Box 274, Dubai, United Arab Emirates **(740):** Chaudhri & Associates Advocates of P. O. Box 43912 - 00100, Nairobi, Kenya



(210): 128912 (220): 13/07/2023

(300): None (511): 33(Wines and spirits including; whisky, gin, vodka and rum) (526): Registration of this mark shall give no right to the exclusive use of the letter "V", the numerals "2", "1", the words "PREMIUM", "SCOTCH" and "WHISKY" each separately and apart from the mark as a whole. (730): WASSUMULLS INTERNATIONAL LLC of Office 2202, Regal Towers, AL Mustaqabal Street, Business Bay, P. O. Box 274, Dubai, United Arab Emirates (740): Chaudhri & Associates Advocates of P. O. Box 43912 - 00100, Nairobi, Kenya



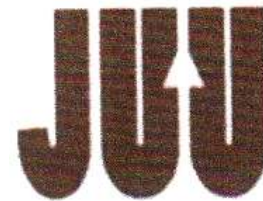
(210): 128913 (220): 13/07/2023

(300): None (511): 33(Wines and spirits including; whisky, gin, vodka and rum) (526): VRegistration of this mark shall give no right to the exclusive use of The Letter "V", the numerals "2" and "1", The Devices of "HUMAN HEAD, WATER AND PLANTS", each separately and apart from the mark as a whole. (730): WASSUMULLS INTERNATIONAL LLC of Office 2202, Regal Towers, AL Mustaqabal Street, Business Bay, P. O. Box 274, Dubai, United Arab Emirates (740): Chaudhri & Associates Advocates of P.O. Box 43912 - 00100, Nairobi, Kenya



(210): 129042 (220): 21/07/2023

(300): None (511): 30(Coffee, tea, cocoa and artificial coffee; rice; tapioca and sago; flour and preparations made from cereals; bread, pastry and confectionery; ices; sugar, honey, treacle; yeast, bakingpowder; salt; mustard; vinegar, sauces (condiments) ; spices ; ice) (526): The translation into English of the Kiswahili word 'Juu' is 'Up'. (730): JUU COFFEE PROCESSING COMPANY LIMITED of P. O. Box 13586 - 00100, Nairobi, Kenya (740): None



(210): 129055 (220): 21/07/2023

(300): None (511): 45(Personal and social services rendered by others to meet the needs of individuals; security services for the protection of property and individuals) (526): Registration of this mark shall give no right to the exclusive use of the words 'ADVOCATES', 'MWANGI', 'NGATIA', the letters 'M', 'N' and the devices of 'HUMAN BEING' and 'SCALE OF JUSTICE' each separately and apart from the mark as a whole. (730): MWANGI NGATIA ADVOCATES of P. O. Box 2717 - 00100, Nairobi, Kenya (740): None



(210): 129090 (220): 25/07/2023

(300): None (511): 1(Chemicals for use in industry, science and photography, as well as in agriculture, horticulture and forestry; industrial chemicals; chemical preparations for use in the manufacture of pharmaceuticals; chemicals for the manufacture of protective and decorative coatings; unprocessed chemicals; chemical raw materials, substances and additives of all descriptions included in the class; active chemical ingredients; surfactants, starches, proteins, silicones, acids, alkalis, esters, epoxy resins, silicone resins, acrylic resins and artificial resins, solvents, glycerine, vitamins, bonding and debonding agents, chemical additives to fuel and oil, emollients, pearling agents, defoaming agents, thickening agents, emulsifiers and flocculants included in the class; chemical additives for polymers; unprocessed electroconductive polymers; chemical additives for use in stabilisation; phosphates; borax; unprocessed artificial resins, unprocessed plastics; amino acids for industrial and scientific purposes; chemicals for the purification of amino acids; chemical additives for printing inks; chemicals for use in industrial water treatment; chemicals for use in pulp and paper manufacturing; chemicals for the treatment of water and wastewater; chemicals for the treatment of boiler and

**PROTEA**



cooling water systems; chemicals for industrial purposes for use in the mining, bio-refining, oil and gas, food and beverage processing, chemical processing and power industries; surface coating removal chemicals and tank surface and media cleaning chemicals for municipal water systems; chemicals for industrial use in reverse osmosis systems and other membrane applications; chemicals for industrial use in reducing or removing fouling in reverse osmosis systems and other membrane systems; polymers for use in industrial and municipal wastewater and water treatment applications for liquid and solid separation; chemical charge control agents for use in industrial and municipal wastewater and water treatment applications; chemical demulsifiers for use in the field of oil exploration, production and processing; foam control agents and antifoam agents that reduce/eliminate foam and/or entrained air in industrial systems; hydrophobic sizing agents that provide liquid and grease resistance to substrates and promote water resistance in water soluble/sensitive systems; unprocessed synthetic wet strength resins for use in the manufacture of substrates in order to impart strength to substrates; chemical dry strength additives for use in the manufacture of substrates in order to impart strength to substrates; chemical synthetic temporary wet strength additives used in the pulp and paper industry in order to impart strength to substrates; chemical creping and release aids for use in the manufacture of paper and paper board; chemicals for use in pulping cellulosic materials during the manufacture of pulp and paper products; chemical deposit control agents for use in pulp, paper and paperboard manufacturing systems; unprocessed formaldehyde-free synthetic resins for use in the building products industry; polymer based compositions that impart toughness to formulations and improve adhesion to low surface energy substrates used in the manufacture of commercial, industrial and domestic goods; chemicals for control of organic and/or inorganic deposits in pulp and paper manufacturing; fire extinguishing and fire prevention compositions; tempering and soldering preparations; chemical substances used for preparing, manufacturing and preserving foodstuffs; tanning substances; substances for tanning animal skins and hides; adhesives for use in industry; putties and other paste fillers; chemical preparations for the manufacture of paints and pigments, mould-release preparations; compost, manures, fertilizers; biological preparations for use in industry and science.), 3(Non-medicated cosmetics and toiletry preparations; perfumery, essential oils; soaps; toiletries; cosmetics, preparations for the skin or hair; hair and skin emollients for cosmetic use; deodorants; non-medicated dentifrices; bleaching preparations and other substances for laundry use; cleaning, polishing, scouring and abrasive preparations), 39(Transport; transport and storage of oil, oil products, natural gas, liquefied natural gas and liquefied petroleum gas; consultancy services relating to the transport and storage of gas, oil and chemicals; storage, distribution, transportation, shipping, and delivery of gas, oil and chemicals; chartering services; chartering of vessels; freighting services; freighting transportation and distribution; supply chain logistics and reverse logistics services consisting of the storage, transportation and delivery of freight; mooring services; piloting services; packaging and storage of goods; logistics services consisting of the storage and packaging of goods; transport and delivery of goods; travel arrangement)

and 40(Treatment of materials; recycling of waste and trash; air purification; treatment of water; water treatment and purification services; rental of water purification equipment; printing services; food and drink preservation) (526): None (730): OMNIA HOLDINGS LIMITED of Building H, Monte Circle Business Park 178 Montecasino Boulevard Fourways, Gauteng 2191, South Africa (740): Ensafrika NBMA Advocates LLP of P. O. Box 12342 - 00100, Nairobi, Kenya

(210): 129091 (220): 25/07/2023

(300): None (511): 1(Chemicals for use in industry, science and photography, as well as in agriculture, horticulture and forestry; industrial chemicals; chemical preparations for use in the manufacture of pharmaceuticals; chemicals for the manufacture of protective and decorative coatings; unprocessed chemicals; chemical raw materials, substances and additives of all descriptions included in the class; active chemical ingredients; surfactants, starches, proteins, silicones, acids, alkalis, esters, epoxy resins, silicone resins, acrylic resins and artificial resins, solvents, glycerine, vitamins, bonding and debonding agents, chemical additives to fuel and oil, emollients, pearling agents, defoaming agents, thickening agents, emulsifiers and flocculants included in the class; chemical additives for polymers; unprocessed electroconductive polymers; chemical additives for use in stabilisation; phosphates; borax; unprocessed artificial resins, unprocessed plastics; amino acids for industrial and scientific purposes; chemicals for the purification of amino acids; chemical additives for printing inks; chemicals for use in industrial water treatment; chemicals for use in pulp and paper manufacturing; chemicals for the treatment of water and wastewater; chemicals for the treatment of boiler and cooling water systems; chemicals for industrial purposes for use in the mining, bio-refining, oil and gas, food and beverage processing, chemical processing and power industries; surface coating removal chemicals and tank surface and media cleaning chemicals for municipal water systems: chemicals for industrial use in reverse osmosis systems and other membrane applications; chemicals for industrial use in reducing or removing fouling in reverse osmosis systems and other membrane systems; polymers for use in industrial and municipal wastewater and water treatment applications for liquid and solid separation; chemical charge control agents for use in industrial and municipal wastewater and water treatment applications; chemical demulsifiers for use in the field of oil exploration, production and processing; foam control agents and antifoam agents that reduce/eliminate foam and/or entrained air in industrial systems; hydrophobic sizing agents that provide liquid and grease resistance to substrates and promote water resistance in water soluble/sensitive systems; unprocessed synthetic wet strength resins for use in the manufacture of substrates in order to impart strength to substrates; chemical dry strength additives for use in the manufacture of substrates in order to impart strength to substrates; chemical synthetic temporary wet strength additives used in the pulp and paper industry in order to impart strength to substrates; chemical creping and release aids for use in the manufacture of paper and paper board; chemicals for use in pulping cellulosic materials during the manufacture of pulp and paper products; chemical deposit control agents for use in pulp, paper and paperboard manufacturing systems; unprocessed formaldehyde-free

## DRIVING YOUR GROWTH MOVED BY INNOVATION

synthetic resins for use in the building products industry; polymer based compositions that impart toughness to formulations and improve adhesion to low surface energy substrates used in the manufacture of commercial, industrial and domestic goods; chemicals for control of organic and/or inorganic deposits in pulp and paper manufacturing; fire extinguishing and fire prevention compositions; tempering and soldering preparations; chemical substances used for preparing, manufacturing and preserving foodstuffs; tanning substances; substances for tanning animal skins and hides; adhesives for use in industry; putties and other paste fillers; chemical preparations for the manufacture of paints and pigments, mould-release preparations; compost, manures, fertilizers; biological preparations for use in industry and science.), 3(Non-medicated cosmetics and toiletry preparations; perfumery, essential oils; soaps; toiletries; cosmetics, preparations for the skin or hair; hair and skin emollients for cosmetic use; deodorants; non-medicated dentifrices; bleaching preparations and other substances for laundry use; cleaning, polishing, scouring and abrasive preparations), 39(Transport; transport and storage of oil, oil products, natural gas, liquefied natural gas and liquefied petroleum gas; consultancy services relating to the transport and storage of gas, oil and chemicals; storage, distribution, transportation, shipping, and delivery of gas, oil and chemicals; chartering services; chartering of vessels; freighting services; freighting transportation and distribution; supply chain logistics and reverse logistics services consisting of the storage, transportation and delivery of freight; mooring services; piloting services; packaging and storage of goods; logistics services consisting of the storage and packaging of goods; transport and delivery of goods; travel arrangement) and 40(Treatment of materials; recycling of waste and trash; air purification; treatment of water; water treatment and purification services; rental of water purification equipment; printing services; food and drink preservation) **(526)**: Registration of this mark shall give no right to the exclusive use of the word 'INNOVATION' separately and apart from the mark as a whole. **(730)**: OMNIA HOLDINGS LIMITED of Building H, Monte Circle Business Park 178 Montecasino Boulevard Fourways, Gauteng 2191, South Africa **(740)**: ENSafrica NBMA Advocates LLP of P.O. Box 12342 - 00100, Nairobi, Kenya

**(210)**: 129092 **(220)**: 25/07/2023

**(300)**: None **(511)**: 1(Chemicals for use in industry, science and photography, as well as in agriculture, horticulture and forestry; industrial chemicals; chemical preparations for use in the manufacture of pharmaceuticals; chemicals for the manufacture of protective and decorative coatings; unprocessed chemicals; chemical raw materials, substances and additives of all descriptions included in the class; active chemical ingredients; surfactants, starches, proteins, silicones, acids, alkalis, esters, epoxy resins, silicone resins, acrylic resins and artificial resins, solvents, glycerine, vitamins, bonding and debonding agents, chemical additives to fuel and oil, emollients, pearling agents, defoaming agents, thickening agents, emulsifiers and flocculants included in the class; chemical additives for polymers; unprocessed electroconductive polymers; chemical additives for use in stabilisation; phosphates; borax; unprocessed artificial resins, unprocessed plastics; amino acids for industrial and scientific purposes; chemicals for the purification of amino acids; chemical additives for printing inks; chemicals for use in



---

industrial water treatment; chemicals for use in pulp and paper manufacturing; chemicals for the treatment of water and wastewater; chemicals for the treatment of boiler and cooling water systems; chemicals for industrial purposes for use in the mining, bio-refining, oil and gas, food and beverage processing, chemical processing and power industries; surface coating removal chemicals and tank surface and media cleaning chemicals for municipal water systems; chemicals for industrial use in reverse osmosis systems and other membrane applications; chemicals for industrial use in reducing or removing fouling in reverse osmosis systems and other membrane systems; polymers for use in industrial and municipal wastewater and water treatment applications for liquid and solid separation; chemical charge control agents for use in industrial and municipal wastewater and water treatment applications; chemical demulsifiers for use in the field of oil exploration, production and processing; foam control agents and antifoam agents that reduce/eliminate foam and/or entrained air in industrial systems; hydrophobic sizing agents that provide liquid and grease resistance to substrates and promote water resistance in water soluble/sensitive systems; unprocessed synthetic wet strength resins for use in the manufacture of substrates in order to impart strength to substrates; chemical dry strength additives for use in the manufacture of substrates in order to impart strength to substrates; chemical synthetic temporary wet strength additives used in the pulp and paper industry in order to impart strength to substrates; chemical creping and release aids for use in the manufacture of paper and paper board; chemicals for use in pulping cellulosic materials during the manufacture of pulp and paper products; chemical deposit control agents for use in pulp, paper and paperboard manufacturing systems; unprocessed formaldehyde-free synthetic resins for use in the building products industry; polymer based compositions that impart toughness to formulations and improve adhesion to low surface energy substrates used in the manufacture of commercial, industrial and domestic goods; chemicals for control of organic and/or inorganic deposits in pulp and paper manufacturing; fire extinguishing and fire prevention compositions; tempering and soldering preparations; chemical substances used for preparing, manufacturing and preserving foodstuffs; tanning substances; substances for tanning animal skins and hides; adhesives for use in industry; putties and other paste fillers; chemical preparations for the manufacture of paints and pigments, mould-release preparations; compost, manures, fertilizers; biological preparations for use in industry and science.), 3(Non-medicated cosmetics and toiletry preparations; perfumery, essential oils; soaps; toiletries; cosmetics, preparations for the skin or hair; hair and skin emollients for cosmetic use; deodorants; non-medicated dentifrices; bleaching preparations and other substances for laundry use; cleaning, polishing, scouring and abrasive preparations), 39(Transport; transport and storage of oil, oil products, natural gas, liquefied natural gas and liquefied petroleum gas; consultancy services relating to the transport and storage of gas, oil and chemicals; storage, distribution, transportation, shipping, and delivery of gas, oil and chemicals; chartering services; chartering of vessels; freighting services; freighting transportation and distribution; supply chain logistics and reverse logistics services consisting of the storage, transportation and delivery of freight; mooring

---

services; piloting services; packaging and storage of goods; logistics services consisting of the storage and packaging of goods; transport and delivery of goods; travel arrangement) and 40(Treatment of materials; recycling of waste and trash; air purification; treatment of water; water treatment and purification services; rental of water purification equipment; printing services; food and drink preservation) (526): None (730): OMNIA HOLDINGS LIMITED of Building H, Monte Circle Business Park 178 Montecasino Boulevard Fourways, Gauteng 2191, South Africa (740): ENSafrica NBMA Advocates LLP of P. O. Box 12342 - 00100, Nairobi, Kenya

(210): 129118 (220): 25/07/2023

(300): None (511): 5(Pharmaceuticals and preparations for medical use) (526): None (730): UNIVERSAL CORPORATION LIMITED of P. O. Box 1748 - 00902, Kikuyu, Kenya (740): None

**FUNGIFIN**

(210): 129119 (220): 25/07/2023

(300): None (511): 5(Pharmaceuticals and Preparations for medical use) (526): None (730): UNIVERSAL CORPORATION LIMITED of P. O. Box 1748 - 00902, Kikuyu, Kenya (740): None

**WIMAL**

(210): 129120 (220): 25/07/2023

(300): None (511): 5(Pharmaceuticals and Preparations for medical use) (526): None (730): UNIVERSAL CORPORATION LIMITED of P. O. BOX 1748 - 00902, Kikuyu, Kenya (740): None

**COMBIART**

(210): 129142 (220): 27/07/2023

(300): None (511): 9(Electronic databases recorded on computer media; computer programs; computer and application software; software downloadable from an electronic facility, network or the internet; mobile applications for cell phones, tablets and other electronic devices; hardware, devices and software for facilitating payments, money transfers, value exchanges, loans and insurance payments; cash registers; interactive computer systems; data processing equipment; electronic terminals, including prepaid vending terminals, cash collection terminals, point of sale terminals and interactive or mobile communication terminals; electronic token issuing devices; calculating machines; blank and pre-recorded magnetic cards; cards containing microprocessors; electronic identification cards; telephone cards; credit cards; debit cards; smart cards; encoded cards, including encoded prepaid payment cards; magnetic, digital and optical data recording and storage media (blank and pre-recorded); electronic publications (downloadable); downloadable digital files authenticated by non-fungible tokens [NFTs]; non-fungible token-based goods for use online and in virtual worlds; non-fungible tokens; digital tokens based on blockchain technology; downloadable digital files authenticated by non-fungible tokens; computer network routers; downloadable computer software for managing crypto asset transactions using blockchain technology; electronic payment transaction facilities.) and 36(Money management and monetary affairs; payment services; money exchange and money transfer services, including electronic money exchanges and electronic transfer of funds; facilitation of value exchanges and transfers; payment processing and related administration services; electronic payment processing services; remote payment services; collection of payments; processing payments for the purchase of goods and services via an electronic or mobile communications network or the internet; bill payment services; cash management services; credit services; foreign

**BIDSEND**



exchange services; services relating to the issuing and redemption of tokens of value, vouchers, points, benefits, incentives and other considerations for value; banking services including internet and remote banking; financial sponsorship; insurance and finance services, including such services provided over the internet, electronic or mobile network; banking, savings, debit, credit, deposit, cash, current and cheque account services; bank card, credit card, debit card and electronic payment card services; electronic wallet services (payment services); money order and payment guarantee services; administration of funds and investments; financial services; financial planning and analysis; provision of loans, including short-term loans and personal loans; financial brokerage services; insurance services; provision of financial information; provision of information and advisory services relating to financial and monetary affairs and the aforementioned services including the provision of information from a computer database, the internet or other electronic network; financial services such as non-refundable token trading; issuance of digital tokens.) **(526)**: None **(730)**: BIDVEST BANK LIMITED of 2nd Floor Bidvest House 18 Crescent Drive Melrose Arch, Johannesburg, South Africa **(740)**: Ensafrika NBMA Advocates LLP of P. O. Box 12342 - 00100, Nairobi, Kenya

**(210)**: 129158 **(220)**: 27/07/2023

**(300)**: None **(511)**: 30("Coffee, tea, cocoa and substitutes therefor; rice, pasta and noodles; tapioca and sago; flour and preparations made from cereals; bread, pastries and confectionery, including lollipops, candies and sweets of all kinds; chocolate; ice cream, sorbets and other edible ices; sugar, honey, treacle; yeast, baking-powder; salt, seasonings, spices, preserved herbs; vinegar, sauces and other condiments; ice (frozen water)"). **(526)**: Registration of this mark shall give no right to the exclusive use of the word "POPS" separately and apart from the mark as a whole. The applicant claims the colours blue, yellow, warm grey, white, gold, red, maroon, and black as features of the mark. **(730)**: ARCOR S.A.I.C of AV. Fulvio pagani 487 (2434) Arroyito-Cordoba, Argentina **(740)**: Coulson Harney Advocates of P. O Box 10643 - 00100, Nairobi, Kenya



**(210)**: 129189 **(220)**: 31/07/2023

**(300)**: None **(511)**: 9(Cash registers, calculating machines, data processing equipment and computers goods.), 36(Financial Affairs and Monetary Affairs Services) and 42(Scientific and technological services and research and design relating thereto; industrial analysis and research services; design and development of computer hardware and software Services) **(526)**: Registration of this mark shall give no right to the exclusive use of the word "PAY" and the device of the "INFINITY SIGN" each separately and apart from the mark as a whole. **(730)**: DIAMOND TRUST BANK KENYA LIMITED, Limited Company Kenya of DTB Centre, Mombasa Road, P. O. Box 61711 - 00200 Nairobi, Kenya **(740)**: Mohammed Muigai LLP of P. O. Box 61323 - 00200, Nairobi, Kenya



(210): 129190 (220): 31/07/2023

(300): None (511): 9(Cash registers, calculating machines, data processing equipment and computers goods.), 36(Financial Affairs and Monetary Affairs Services) and 42(Scientific and technological services and research and design relating thereto; industrial analysis and research services; design and development of computer hardware and software Services) (526): Registration of this mark shall give no right to the exclusive use of the "INFINITY SIGN" separately and apart from the mark as a whole. (730): DIAMOND TRUST BANK KENYA LIMITED, Limited Company Kenya of DTB Centre, Mombasa Road, P. O. Box 61711 - 00200 Nairobi, Kenya (740): Mohammed Muigai LLP of P. O Box 61323 - 00200, Nairobi, Kenya



(210): 129191 (220): 31/07/2023

(300): None (511): 36(Financial Affairs and Monetary Affairs Services) and 42(Scientific and technological services and research and design relating thereto; industrial analysis and research services; design and development of computer hardware and software Services) (526): Registration of this mark shall give no right to the exclusive use of the words "CHAMA", "BID", and "APP" each separately and apart from the mark as a whole. Chama is a Kiswahili word that translates to an Association, a club or a Co-operative Society in English. (730): DIAMOND TRUST BANK KENYA LIMITED, Limited Company Kenya of DTB Centre, Mombasa Road, P. O. Box 61711 - 00200 Nairobi, Kenya (740): Mohammed Muigai LLP of P. O Box 61323 - 00200, Nairobi, Kenya



(210): 129460 (220): 14/08/2023

(300): None (511): 32(Beers; mineral and aerated waters and other non-alcoholic beverages; fruit beverages and fruit juices; syrups and other preparations for making beverages) (526): None (730): TOTO LIMITED, a Maltese Company of Level 1, Blue Harbour Business Centre, Ta' XBiex, Yacht Marina, Ta XBiex, XBX 1027,, Malta (740): Iseme Kamau & Maema Advocates of P. O. Box 11866 - 00400, Nairobi, Kenya



(210): 129473 (220): 14/08/2023

(300): None (511): 32(Non-alcoholic beverages, including refreshing drinks, energy drinks, whey-based and isotonic drinks (hypertonic and hypotonic) for sporting requirements; mineral and aerated waters; fruit beverages and fruit juices, fruit drinks, nectars, syrups and other preparations for making beverages, juice powders and effervescent tablets for making non-alcoholic beverages and cocktails.) (526): Registration of this mark shall give no right to the exclusive use of the word 'JUICE' separately and apart from the mark as a whole. The Arabic characters are a transliteration of 'JUICE UP'. (730): INTERNATIONAL FOODSTUFFS CO. L. L. C. of Al-Wahda Street, Industrial Area No.1, P. O. Box 4115, Sharjah, United Arab Emirates (740): Talal Abu-Ghazaleh Intellectual Property of P.O. BOX 2537 - 00606, Nairobi, Kenya

JUICE UP

جوس أب

(210): 129483 (220): 14/08/2023

(300): None (511): 5(Medicines for human purposes; bacteriological preparations for medical and veterinary use; diagnostic preparations for medical purposes; pharmaceutical preparations; biochemical medicines; vaccines; blood for medical purposes; injectable medicinal solutions; drugs for medical purposes; anti-inflammatory preparations) (526): Registration of this mark shall give no right to the exclusive use of the word "HEALTH" as displayed in the chinese characters separately and apart from the mark as a whole. The Chinese characters from left to right in the trademark are

惠益康



transliterated as "HUI YI KANG" and translated into English as "FAVOR; BENEFIT; HEALTH". The Chinese characters "HUI YI KANG" as a created combination convey no special meaning. (730): CHENGDU INSTITUTE OF BIOLOGICAL PRODUCTS CO., LTD, incorporated in the People's Republic of China of No.379, Third Section Of Jinhua Road, Jinjiang District, Chengdu City, Sichuan Province, China (740): CFL Advocates of P. O. Box 23555 - 00100, Nairobi, Kenya

(210): 129532 (220): 16/08/2023

(300): None (511): 43(Services for providing food and drink; temporary accommodation.) (526): Registration of this mark shall give no right to the exclusive use of the words "CHOCOLATE", "ROOM", the devices of "CHOCOLATE DRIZZLE", "BOWL" and "SAUCER" each separately and apart from the mark as a whole. (730): ROSEMARY MCKENZIE PTY LTD of Level 36, Gateway 1 Macquarie Place, Sydney, New South Wales, 2000, Australia (740): Coulson Harney Advocates of P. O. Box 10643 - 00100, Nairobi, Kenya



(210): 129533 (220): 16/08/2023

(300): None (511): 43(Services for providing food and drink; temporary accommodation.) (526): None (730): ROSEMARY MCKENZIE PTY LTD of Level 36, Gateway 1 Macquarie Place, Sydney, New South Wales, 2000, Australia (740): Coulson Harney Advocates of P. O. Box 10643 - 00100, Nairobi, Kenya

**THE CHOCOLATE ROOM**

(210): 129548 (220): 17/08/2023

(300): None (511): 43(Services for providing food and drink; temporary accommodation.) (526): None The word 'LICHTHAUS' is Germanic and when translated in English means a "Tower or other structure containing a beacon light to warn or guide ships at sea." (730): LICHTHAUS BAR & RESTAURANT LIMITED of P. O. Box 330, Watamu, Kenya (740): GHM Advocates LLP of P. O. Box 22186 - 00100, Nairobi, Kenya

**LichtHaus**

(210): 129560 (220): 18/08/2023

(300): None (511): 12(Vehicles; apparatus for locomotion by land; parts of all kinds of motors and engines; bodies for vehicles, body works for vehicles; clips adapted for fastening automobile parts to automobile bodies; connecting rods for land vehicles, other than parts of motors and engines), 16(Paper and cardboard; printed matter; bookbinding material; photographs; stationery and office requisites, except furniture; adhesives for stationery or household purposes; drawing materials and materials for artists; paintbrushes; instructional and teaching materials; plastic sheets, films and bags for wrapping and packaging; printers' type, printing blocks.) and 25(Clothing, footwear, headwear.) (526): Registration of this mark shall give no right to the exclusive use of the words 'AUTO', 'KRAFT', 'MOTORS', 'EST', the year '1991' each separately and apart from the mark as a whole. (730): SOLEX MOTORS LIMITED of P. O. Box 38746 - 00623, Nairobi, Kenya (740): None



(210): 129564 (220): 18/08/2023

(300): None (511): 21(Steel wool for cleaning; combs; services [dishes]; toothbrushes; sponges for household purposes; dusting cloths [rags]; dishwashing brushes; abrasive sponges for scrubbing the skin; tea cosies; covers for tissue boxes.) and 24(Quilts; travelling rugs [lap robes]; eiderdowns [down coverlets]; bath mitts; bed linen; table linen, not of paper; towels of textile; labels of textile; wall hangings of textile; shower curtains of textile or plastic.) (526): Haoda has no meaning. (730): ZHEJIANG HAODA HOME FURNISHINGS CO.,

**HAODA**

LTD of Building 3, No.11 Lvchuan Road, Quzhou City, Zhejiang Province, China **(740)**: CFL Advocates of P. O. Box 23555 - 00100, Nairobi, Kenya

**(210)**: 129569 **(220)**: 18/08/2023

**(300)**: None **(511)**: 4(Gases.), 6(Gas bottles, transportable buildings or structures of metal, and certain dispensing apparatus of metal automatic and non-automatic.), 16(Posters, stationery, instructional and teaching materials) and 35(Advertising and communication, shop window dressing, commercial administration for the licensing of goods and services to others, business management, operations, organization and administration of a commercial or industrial enterprise.) **(526)**: Registration of this mark shall give no right to the exclusive use of the words "CLEAN", "SAFE" and "ENERGY" each separately and apart from the mark as a whole. **(730)**: UPPER VALLEY ENERGY LIMITED of P. O. Box 44202/30322 - 00100, Nairobi, Kenya **(740)**: Kaplan & Stratton Advocates of P. O. Box 40111 - 00100, Nairobi, Kenya



**(210)**: 129607 **(220)**: 22/08/2023

**(300)**: None **(511)**: 30(Coffee, tea, cocoa and artificial coffee; rice; tapioca and sago; flour and preparations made from cereals; bread; pastry and confectionery; ices; sugar, honey, treacle; yeast, baking powder; salt; mustard; vinegar, sauces condiments; ices; ice.) **(526)**: Registration of this mark shall give no right to the exclusive use of the word "HONEY" each separately and apart from the mark as a whole. **(730)**: JIYIHADA LIMITED of P. O. Box 51236 - 00200, Nairobi, Kenya **(740)**: Oraro & Company Advocates of P. O. Box 51236 - 00200, Nairobi, Kenya

AYANNA HONEY

**(210)**: 129626 **(220)**: 22/08/2023

**(300)**: None **(511)**: 3(Soap) **(526)**: Registration of this mark shall give no right to the exclusive use of the word "WASH" and the device of "BUBBLES" each separately and apart from the mark as a whole. **(730)**: EMMANUEL CHACHA of P. O. Box 19063 - 00501, Utawala, Nairobi, Kenya **(740)**: None



**(210)**: 129635 **(220)**: 23/08/2023

**(300)**: None **(511)**: 12(Electric vehicles; automobiles; tilting-carts; motorized tricycles; trolleys; boats; automobile tires; tractors; windscreen wipers and vehicles for locomotion by land, air, water or rail.) **(526)**: The Chinese character translates to WUZHENG. WU translates to five in English and ZHENG to journey in English. **(730)**: SHANDONG SHENGYA MACHINERY CO., LTD, Incorporated in China of Nanxinwang village, Shengli Township, Tancheng county, Linyi City, China **(740)**: CFL Advocates of P. O. Box 23555 - 00100, Nairobi, Kenya



**(210)**: 129656 **(220)**: 24/08/2023

**(300)**: None **(511)**: 18(Luggage and carrying bags for example, suitcases, trunks, travelling bags) **(526)**: DIRA means compass **(730)**: JIAMINI GROUP LIMITED of P. O. Box 509105 - 00200, Nairobi, Kenya **(740)**: None



**(210):** 129703 **(220):** 25/08/2023  
**(300):** None **(511):** 30(Coffee, tea, cocoa and artificial coffee; rice; tapioca and sago; flour and preparations made from cereals; bread, pastry and confectionery; ices; sugar, honey, treacle; yeast, baking-powder; salt; mustard; vinegar, sauces (condiments); spices; ice) **(526):** Registration of this mark shall give no right to the exclusive use of the words 'SIFTED', 'MAIZE' and 'FLOUR' each separately and apart from the mark as a whole. The translation into English of the Kiswahili word 'TAMASHA' is 'CELEBRATION'. **(730):** GREENVALLEY MILLERS LTD of P. O. Box 954 - 10100, Nyeri, Kenya **(740):** None

## TAMASHA SIFTED MAIZE FLOUR

**(210):** 129704 **(220):** 25/08/2023  
**(300):** None **(511):** 31(Animal feed) **(526):** Registration of this mark shall give no right to the exclusive use of the words 'DAIRY' and 'MEAL' each separately and apart from the mark as a whole. 'Vetlick' is a coined word **(730):** GREENVALLEY MILLERS LTD of P. O. Box 954 - 10100, Nyeri, Kenya **(740):** None

## VETLICK DAIRY MEAL

**(210):** 129780 **(220):** 31/08/2023  
**(300):** None **(511):** 34(Cigarettes; tobacco, raw or manufactured; roll your own tobacco; pipe tobacco; tobacco products; tobacco substitutes (not for medical purposes); cigars; cigarillos; cigarette lighters for smokers; cigar lighters for smokers; matches; smokers' articles; cigarette paper; cigarette tubes; cigarette filters; pocket apparatus for rolling cigarettes; hand held machines for injecting tobacco into paper tubes; electronic cigarettes; liquids for electronic cigarettes; tobacco products for the purpose of being heated; electronic devices and their parts for the purpose of heating tobacco.) **(526):** Registration of this mark shall give no right to the exclusive use of the letter "A" separately and apart from the mark as a whole. **(730):** CARRERAS LIMITED of Globe House, 4 Temple place, London, WC2R 2PG, United Kingdom **(740):** Iseme Kamau & Maema Advocates of P. O. Box 11866 - 00400, Nairobi, Kenya

## CRAVEN A

**(210):** 129787 **(220):** 31/08/2023  
**(300):** None **(511):** 9(LCD display; Acoustic equipment; Smartwatches [data processing apparatus]; Energy storage power; Liquid crystal TV; Television apparatus; LED display; Portable outdoor power supply; Liquid crystal display [LCD] screens; Ultra-high-definition [UHD] televisions.) **(526):** None **(730):** HKC CORPORATION LIMITED of 1F-3F,5F-7F of Factory Building 1, 7F of Factory Building 6, Huike Industrial Park, No.1 Industrial 2nd Road, Shilong Community, Shiyan Street, Baon District, Shenzhen, China **(740):** Simba & Simba Company Advocates of P. O. Box 10312 - 00100, Nairobi, Kenya

## Hiktop

**(210):** 129788 **(220):** 31/08/2023  
**(300):** None **(511):** 3(Soaps; perfumery, essential oils; cosmetics and skin care products and preparations; ointments and creams; hair, face and bod lotions.) **(526):** None **(730):** SKIN HEALTH INTELLECTUAL PROPERTY RIGHTS MANAGEMENT CO. L.L.C of 51 Tower Downtown P. O. Box 112796 Dubai, United Arab Emirates **(740):** Simba & Simba Company Advocates of P. O. Box 10312 - 00100, Nairobi, Kenya

## DECODED

**(210):** 129790 **(220):** 31/08/2023  
**(300):** None **(511):** 1(Chemicals and chemical products including those for use in the treatment, clarification, sterilising and purification of water including swimming pool water.) and 5(Pharmaceutical, veterinary and sanitary preparations, substances and products including disinfectants for use in swimming pools; preparations and products for destroying vermin; herbicides, fungicides, germicides and algicides; preparations and products for destroying organisms found in water.) **(526):** Registration of this trademark shall give no right to the exclusive use of the words "CLEAR", "WEEKS", and numeral "4" each separately and apart from the mark as a whole. **(730):** INNOVATIVE WATER CARE, LLC, a Delaware limited liability company of 1400 Bluegrass Lakes Parkway, Alpharetta, Georgia 30004, United States of America **(740):** Coulson Harney Advocates of P. O. Box 10643 - 00100, Nairobi, Kenya

### CLEAR 4 WEEKS

**(210):** 129862 **(220):** 06/09/2023  
**(300):** None **(511):** 29(Tomato Paste) **(526):** The colours proceeds in series. **(730):** YEMKEN TRADING COMPANY LTD of P. O. Box 2031 - 00200, Nairobi, Kenya **(740):** None



**(210):** 129876 **(220):** 06/09/2023  
**(300):** None **(511):** 30 (Coffee, tea, cocoa and artificial coffee; rice; tapioca and sago; flour and preparations made from cereals; bread, pastry and confectionery; ices; sugar, honey, treacle; yeast, baking-powder; salt; mustard; vinegar, sauces (condiments); spices; ice.) **(526):** None **(730)** JAVA HOUSE MAURITIUS of 33, Edith Cavell street, 11324, Port-Louis, Mauritius **(740):** Coulson Harney Advocates of P. O. Box 10643 - 00100, Nairobi, Kenya



**(210):** 129884 **(220):** 08/09/2023  
**(300):** None **(511):** 9(Phone accessories) **(526):** None **(730):** LITEL TELECOMMUNICATION COMPANY LTD of P. O. Box 45689 - 00100, Nairobi, Kenya **(740):** None

### DOTFONE

**(210):** 129914 **(220):** 11/09/2023  
**(300):** None **(511):** 3(Beauty care cosmetic products Beauty products for the hair) **(526):** Registration of this mark shall give no right to the exclusive use of the word "BEAUTY" and the device of "HUMAN BEING FACE" each separately and apart from the mark as a whole. **(730):** BAOWANG SUPPLIERS LIMITED of P. O. BOX 244 - 30209, Motorworld, Jogoo Road, Nairobi, Kenya **(740):** None



**(210):** 129936 **(220):** 11/09/2023  
**(300):** None **(511):** 7(Machines and machine tools, Motors and engine), 8(Hand tools and Implements) and 12(Vehicles apparatus for locomotion by Land, Air or Water) **(526):** Registration of this trademarks shall give no right to the exclusive use of the word "BLACK" each separately and apart form the mark as a whole. **(730):** IRONMAN LTD of P. O. Box 26347 - 00504, Nairobi, Kenya **(740):** None



**(210):** 129980 **(220):** 13/09/2023  
**(300):** None **(511):** 1(Chemicals for use in industry, science and photography, as well as in agriculture, horticulture and forestry; unprocessed artificial resins, unprocessed plastics; fire extinguishing and fire prevention compositions; tempering and soldering preparations; substances for tanning animal skins and hides; adhesives for use in industry; putties and other paste fillers; compost, manures, fertilizers; biological preparations for use in industry and science. Calcium Carbonate, Calcium carbonate powder, Compounds containing

### JorCal



calcium carbonate.) (526): None (730): JORDAN CARBONATE COMPANY LLC. of Building No.15 Abdulwahab Al Majali Street, Shmiesani, Amman, Jordan (740): Talal Abu-Ghazaleh Intellectual Property of P. O. Box 2537 - 00606, Nairobi, Kenya

(210): 129981 (220): 14/09/2023

(300): None (511): 44(Medical Care-Dentistry) (526): Registration of this mark shall give no right to the exclusive use of the words 'MOLARS', 'CARE', the devices of the 'MOLAR' and 'DENTAL APPARATUS' each separately and apart from the mark as a whole. (730): MOLARS DENTAL PRACTICE LIMITED of P. O. Box 28198 - 00200, Nairobi, Kenya (740): None



(210): 129983 (220): 14/09/2023

(300): None (511): 44 (Medical Services, Veterinary services) (526): Registration of this mark shall give no right to the exclusive use of the words 'TREE', 'HEALTHCARE', 'LIFE', 'HEALING', 'SPREADING', 'NATIONS' and device of a Tree, leaves and human head per se each separately and apart from the mark as a whole. (730): TREE OF LIFE HEALTHCARE LTD of P. O. Box 1101 - 20500, Narok, Kenya (740): None



(210): 129985 (220): 14/09/2023

(300): None (511): 40(Treatment of material) (526): Registration of this mark shall give no right to the exclusive use of the word 'BIOTECH' separately and apart from the mark as a whole. (730): BLUE FLAME ENERGY SOLUTIONS LTD of P. O. Box 100200 - 358, Murang'a, Kenya (740): None



(210): 129987 (220): 14/09/2023

(300): None (511): 9(A downloadable mobile application for sharing information related to cancer.) (526): None (730): PFIZER INC. of 66 Hudson Boulevard East, New York, New York 10001-2192, United States of America (740): Kaplan & Stratton Advocates of P. O. BOX 40111 - 00100, Nairobi, Kenya

**LIVINGWITH**

(210): 129991 (220): 14/09/2023

(300): None (511): 31(Animal feeds) (526): Registration of this mark shall give no right to the exclusive use of the word 'DOGMEAL' and the device of 'DOG HEAD' each separately and apart from the mark as a whole. (730): FARM JOY FEEDS LIMITED of P. O. Box 4856 - 01000, Thika, Kenya (740): None



(210): 129994 (220): 14/09/2023

(300): None (511): 35(Advertising; business management, organization and administration; office functions.) and 37(Construction services; installation and repair services; mining extraction, oil and gas drilling.) (526): None (730): LOGISYS TRADING COMPANY of P. O. Box 38015 - 00623, Nairobi, Kenya (740): None



(210): 130014 (220): 14/09/2023

(300): None (511): 18(Leather and imitations of leather, and goods made of these materials and not included in other classes; animal skins, hides; trunks and travelling bags; umbrellas and parasols; walking sticks; whips, harness and saddlery; luggage; backpacks; bags; sport bags) 25(Clothing, footwear, headgear) and 35 (Advertising; business management; business administration; office functions; retail, online, and catalog services.) (526): None (730): PATAGONIA, INC of 259 W. Santa Clara Street Ventura CA 93001, United State of America (740): Coulson Harney Advocates of P. O. Box 10643 - 00100, Nairobi, Kenya

**PATAGONIA**

(210): 130032 (220): 18/09/2023

(300): None (511): 5(Pharmaceuticals) (526): Registration of this mark shall give no right to the exclusive use of the word 'Lozenges' and letter 'R' each separately and apart from the mark as a whole. (730): REAL TIME COMPANY LIMITED of P. O. Box 56352 - 00200, Nairobi, Kenya (740): None



(210): 130033 (220): 18/09/2023

(300): None (511): 10(CONDOMS) (526): Registration of this mark shall give no right to the exclusive use of the word 'CONDOMS' separately and apart from the mark as a whole. (730): REAL TIME COMPANY LIMITED of P. O. Box 56352 - 00200, Nairobi, Kenya (740): None



(210): 130034 (220): 18/09/2023

(300): None (511): 41(Education; providing of training; entertainment; sporting and cultural activities.) and 42(Scientific and technological services and research and design relating thereto; industrial analysis and research services; design and development of computer hardware and software) (526): Registration of this mark shall give no right to the exclusive use of the words 'BUSINESS', 'SYSTEMS' and 'BETTER' each separately and apart from the mark as a whole. (730): HAVE A GO BUSINESS SYSTEMS LIMITED of P. O. Box 10191 - 00100, Nairobi, Kenya (740): None



(210): 130035 (220): 18/09/2023

(300): None (511): 30(douhnuts, bread, coffee) (526): Registration of this mark shall give no right to the exclusive use of the words 'COUNTY', "EMPOWERMENT", "ORGANIZATION", "SWEET", "BITES" and devices of "ASSORTED PREPARATIONS MADE OF FLOUR" each separately and apart from the mark as a whole. The translation into English of the Kiswahili word 'TAMU' is 'SWEET'. (730): ATIENO ELIZABETH ONYANGO of P. O. Box 10138 - 00100, Nairobi, Kenya (740): None



(210): 130045 (220): 18/09/2023

(300): None (511): 25(Fashion include mainly clothing, footwear and headwear for human beings) (526): Registration of this mark shall give no right to the exclusive use of the word "FASHION" separately and apart from the mark as a whole. (730): ANGELICA NJONGE of P. O. Box 75296 - 00100, Nairobi Biashara Street, Zanna Exhibition Stall G7/G14, Nairobi, Kenya (740): Kamotho Njomo & Company Advocate of P. O. Box 7182 - 00100, Nairobi, Kenya



(210): 130046 (220): 18/09/2023

(300): None (511): 29(Meat, fish, poultry and game; meat extracts; preserved, frozen, dried and cooked fruits and vegetables; jellies, jams, compotes; eggs; milk and milk products; edible oils and fats.) and 31(Raw and unprocessed agricultural, aquacultural, horticultural and forestry products; raw and unprocessed grains and seeds; fresh fruits and vegetables, fresh herbs; natural plants and flowers; bulbs, seedlings and seeds for planting; live animals; foodstuffs and beverages for animals; malt.) (526): Registration of this mark shall give no right to the exclusive use of the word 'Nutri' separately and apart from the mark as a whole. (730): NUTRI NUTS & FRUITS LIMITED of P. O. Box 513 - 00200, House 21, Kunde Rd, Thompson Estate, Valley Arcade, Nairobi, Kenya (740): B. Moseti & Company Advocates of P. O. Box 35114 - 00100, Nairobi, Kenya





(210): 130066 (220): 19/09/2023  
 (300): None (511): 9(Phone & Accessories (mobile phone, phone cover, power bank, charger)) (526): None (730): YAO SHOUKUI of P. O. Box 25401 - 00100, Nairobi, Kenya (740): None

**CHIEFTEL**

(210): 130089 (220): 19/09/2023  
 (300): None (511): 5(Herbicide) (526): None (730): GOOD AGRICULTURAL PRACTICE TECHNOLOGY E.A LTD of P. O. Box 4565, Nakuru, Kenya (740): None

**GAPMAX**

(210): 130119 (220): 21/09/2023  
 (300): None (511): 3(Shampoos; hair conditioners; cleansing milk for toilet purposes; cleaning preparations; nail varnish; hair waving preparations; hair dyes; cosmetics; beauty masks; air fragrancing preparations) (526): None (730): GUANGZHOU CHINCHY COSMETICS CO., LTD of ROOM 1616, NO. 395, JIANPENG ROAD, HELONG STREET, BAIYUN DISTRICT, GUANGZHOU, China (740): Muri Mwaniki Thige & Kageni LLP Advocates of P. O Box 13726 - 00100, Nairobi, Kenya

**Karseell**

(210): 130125 (220): 21/09/2023  
 (300): None (511): 35(Commerce) (526): Registration of this trademark shall give no right to the exclusive use of the word "DEAL" and the devices of a 'MOBILE PHONE' and a 'HAND' perse,each separately and apart from the mark as a whole. "KOUAPON" is a discount code/QR code or service that is either transmitted or stored online.The translation into English of the Kiswahili word 'ZETU' is 'OURS'. (730): MYPRIMEPAY TECH LTD of P. O. Box 50301 - 00100, Nairobi, Kenya (740): None



(210): 130138 (220): 22/09/2023  
 (300): None (511): 5(Pharmaceuticals) (526): None (730): GALAXY PHARMACEUTICAL LIMITED of P.O. BOX 39107 - 00623, Nairobi, Kenya (740): None

**PROGESTAN**

(210): 130140 (220): 22/09/2023  
 (300): None (511): 16(Paper, cardboard and goods made from these materials, not included in other classes; printed matter; Bookbinding material; photographs; stationery; adhesives for stationery or household purposes; artists' materials; paint brushes; typewriters and office requisites (except furniture); instructional and teaching material (except apparatus); plastic materials for packaging (not included in other classes); printers' type; printing blocks), 35(Advertising ; business management; business administration; office functions) and 36(Insurance; financial affairs; monetary affairs; real estate affairs.) (526): Registration of this trademark shall give no right to the exclusive use of the words 'INSURANCE', 'ADMINISTRATION', 'EXCHANGE', 'AFRICA', the acronym "LTD", the letters "A","I" and "X" each separately and apart from the mark as a whole. (730): INSURANCE ADMINISTRATION EXCHANGE (AFRICA) LIMITED of P. O. Box 58013 - 00200, Nairobi, Kenya (740): Munene Micheni of P. O. Box 17164 - 00100, Nairobi, Kenya



(210): 130150 (220): 22/09/2023  
 (300): None (511): 6(Screw, Rails & Hinges.) (526): Registration of this mark shall give no right to the exclusive use of the words 'HARDWARE', 'SUPPLIES' and 'LIMITED' each separately and apart from the mark as a whole. AARIC is an invented word without meaning (730): AARIC HARDWARE AND SUPPLIES LIMITED of P. O. Box 3994 - 00506, Nairobi, Kenya (740): None



(210): 130165 (220): 25/09/2023

(300): None (511): 35(Business Management) (526): ARegistration of this mark shall give no right to the exclusive use of the words 'LACHLAN', 'COMPANY' and the letter "A" each separately and apart from the mark as a whole. (730): LACHLAN KENYA LIMITED of P. O. Box 49470 - 00100, Warehouse No.1, Sunflag Industrial Park, Mombasa Road, Nairobi, Kenya (740): None

**Lachlan**  
A Unifert Company

(210): 130166 (220): 25/09/2023

(300): None (511): 31(Seeds for planting) (526): Registration of this mark shall give no right to the exclusive use of the words 'SEEDS', 'LACHLAN' and the device of "LEAVES" each separately and apart from the mark as a whole. (730): LACHLAN KENYA LIMITED of P. O. Box 49470 - 00100, Warehouse No.1, Sunflag Industrial Park, Mombasa Road, Nairobi, Kenya (740): None

  
**Petra Seeds**  
by Lachlan

(210): 130188 (220): 26/09/2023

(300): None (511): 9(Computer Software, computers and computer peripheral devices), 38(Telecommunications services.) and 42(Design of computer software and systems) (526): Registration of this mark shall give no right to the exclusive use of the letters 'A' and 'I' each separately and apart from the mark as a whole. (730): BLUEBEETLE. AI LTD of P. O. BOX 13628 - 00800, Nairobi, Kenya (740): None

  
blue  
**Beetle.ai**

(210): 130197 (220): 26/09/2023

(300): None (511): 43(Hotel) (526): Registration of this trademarks shall give no right to the exclusive use of the words "MARA", "TIPILIKWANI", and "CAMP" and each separately and apart from the mark as a whole. TIPILIKWANI is a Maasai word and it is a type of a tree in Mara. (730): ATUA ENKOP AFRICA of P. O. Box 42475 -00100, Nairobi, Kenya (740): None

  
**Tipilikwani**  
MARA CAMP

(210): 130198 (220): 26/09/2023

(300): None (511): 43(Hotel Services) (526): Registration of this trademark shall give no right to the exclusive use of the word 'MARA', 'MBWEHA', and "CAMP" each separately and apart from the mark as a whole. MBWEHA is kiswahili word that means JACKEL in English. (730): ATUA ENKOP AFRICA of P. O. Box 42475 -00100, Nairobi, Kenya (740): None

  
**Mbweha Camp**

(210): 130202 (220): 26/09/2023

(300): None (511): 43(Hotel Service) (526): Registration of this trademark shall give no right to the exclusive use of the word "MARA", 'Ngenche', "PERFECT" and "PARADISE" each separately and apart from the mark as a whole. NGENCHE is a Maasai word that translates to earth in English (730): ATUA ENKOP AFRICA of P. O. Box 42475 - 00100, Nairobi, Kenya (740): None

  
**MARA**  
**Ngenche**  
Your Perfect Paradise

(210): 130210 (220): 27/09/2023

(300): None (511): 35(Online Market) (526): Registration of this mark shall give no right to the exclusive use of the word 'HUB' and the device of 'THUMBS UP' each separately and apart from the mark as a whole. (730): KIDDLES HUB LTD CO. of P. O. Box 3683-30100, ELDORET, Kenya (740): None

  
**KIDDLES**  
HUB

(210): 130271 (220): 29/09/2023

(300): None (511): 35(Advertising, business management; business administration; office functions; retail outlets, including retail stores and wholesale outlets.) (526): The translation into English of the Kiswahili word 'KASUKU' forming part of the Mark is 'PARROT' The word 'KORNER' forming part of the mark is an invented word and has no meaning (730): TWIGA STATIONERS & PRINTERS LIMITED, a limited liability

**KASUKU KORNER**

company incorporated and registered under the laws of Kenya of P. O. Box 18454 - 00500, Changamwe Road, Industrial Area, Nairobi, Kenya (740): CMS Daly Inamdar Advocates LLP of P. O. Box 40034 - 00100, Nairobi, Kenya

(210): 130279 (220): 29/09/2023

(300): None (511): 43(Services for providing food and drinks, temporary accomodation) (526): Registration of this mark shall give no right to the exclusive use of the words 'HAKIKA', 'FOODS' and the device of a CHEF and PLATE each separately and apart from the mark as a whole. 'HAKIKA' is a Swahili word meaning 'SURE' in English (730): HAKIKA CITY LIMITED of P. O. Box 8537 - 00200,Nairobi, Kenya (740): None



**SOUGHT FOR**

(210): 130280 (220): 29/09/2023

(300): None (511): 25(Clothing) (526): None (730): FLORENCE MUGURE MWANGI of P. O. Box 57811 - 00200, Nairobi, Kenya (740): None

(210): 130303 (220): 03/10/2023

(300): None (511): 36(Financial, monetary and banking services; insurance services; real estate services.) (526): Registration of this mark shall give no right to the exclusive use of the words 'ASAP', 'CREDIT', 'BORROW' and 'CONFIDENTLY' each separately and apart from the mark as a whole. (730): ASAP CREDIT LIMITED of P.O. Box 2358 - 00621, Nairobi, Kenya (740): None



(210): 130304 (220): 03/10/2023

(300): None (511): 35(Advertising ; business management ; business administration ; office functions) (526): Registration of this mark shall give no right to the exclusive use of the letter 'X' separately and apart from the mark as a whole. (730): GODFREY KARANJA KAREGI of P. O. Box 66848-00400, Nairobi, Kenya (740): Muthee Edward Kariuki Advocate of P. O. Box 19750 - 00100, Nairobi, Kenya



(210): 130309 (220): 04/10/2023

(300): None (511): 27(Bathroom mats, rugs, carpettiles) (526): None (730): LIGHTING & INTERIORS BY DIAMOND LIMITED of P. O. Box 51391 - 00100, Nairobi, Kenya (740): None



(210): 130311 (220): 04/10/2023

(300): None (511): 43(Restaurant and Hotel Services: Services for providing food and drinks, temporary accommodation reservations) (526): Registration of this mark shall give no right to the exclusive use of the words 'LODGES', 'LAKE', 'NAIVASHA', the letters 'S' and 'L' each separately and apart from the mark as a whole. (730): NAIVASHA COUNTRY HOTEL LIMITED of P. O. Box 211 - 20117, Naivasha, Kenya (740): None



(210): 130334 (220): 05/10/2023

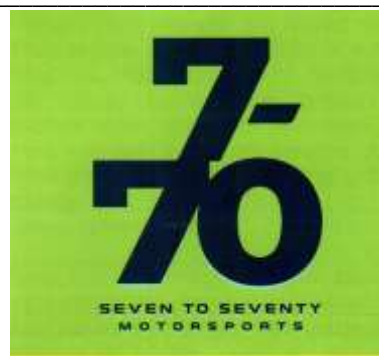
(300): None (511): 30(Coffee, tea, cocoa and artificial coffee; rice; pasta and noodles tapioca and sago; flour and preparations made from cereals; bread, pastries and confectionery;chocolate; ice cream; sorbets, sugar, honey, treacle; yeast, baking-powder; salt; preserved herbs; vinegar, sauces (condiments); spices; ice.) (526): Registration of this trademark shall give no right to the exclusive use of the word "TASTE", the device of a 'HUMAN BEING', 'MAIZE COB' and the MAP OF KENYA perse each separately and apart from the mark a sa whole. 'MIMO' is derived from Meemar to mean 'GRANDMOTHER' (730): SHAMWARI HOUSE OF BRANDS of P. O. Box 837 - 01000, Thika, Kenya (740): None





(210): 130351 (220): 05/10/2023

(300): None (511): 9(Scientific, research, navigation, surveying, photographic, cinematographic, audiovisual, optical, weighing, measuring, signalling, detecting, testing, inspecting, life-saving and teaching apparatus and instruments; apparatus and instruments for conducting, switching, transforming, accumulating, regulating or controlling the distribution or use of electricity; apparatus and instruments for recording, transmitting, reproducing or processing sound, images or data; recorded and downloadable media, computer software, blank digital or analogue recording and storage media; mechanisms for coin-operated apparatus; cash registers, calculating devices; computers and computer peripheral devices; diving suits, divers' masks, ear plugs for divers, nose clips for divers and swimmers, gloves for divers, breathing apparatus for underwater swimming; fire-extinguishing apparatus.), 25(Clothing, footwear, headwear), 28(Games, toys and playthings; video game apparatus; gymnastic and sporting articles; decorations for Christmas trees.), 32(Beers; non-alcoholic beverages; mineral and aerated waters; fruit beverages and fruit juices; syrups and other preparations for making non-alcoholic beverages.), 35(Advertising; business management, organization and administration ; office functions.) and 41(Education; providing of training; entertainment; sporting and cultural activities) (526): Registration of this mark shall give no right to the exclusive use of the words 'Seven','Seventy' and 'Motorsports' and the numerals '0' and '7' each separately and apart from the mark as a whole. (730): ERIC GITONGA BENGI AND EVANS KAVISI NZIOKA of P. O. Box 7728 - 00100, Nairobi, Kenya (740): None



(210): 130353 (220): 05/10/2023

(300): None (511): 42(Computer software) (526): Registration of this mark shall give no right to the exclusive use of the letters 'P', 'C' and 'S' and the word 'CASHLESS' each separately and apart from the mark as a whole. (730): TONNY O. OOKO of P. O. Box 132, Rongo, Kenya (740): None



(210): 130381 (220): 06/10/2023

(300): None (511): 44(Medical services) (526): Registration of this mark shall give no right to the exclusive use of the words 'AESTHETIC', 'CLINIC', 'REVITALIZE' and 'REJUVENATE' each separately and apart from the mark as a whole. (730): WINNIE WANJIRU MAINA of P. O. Box 461 - 10200, Muranga, Kenya (740): None



(210): 130384 (220): 09/10/2023

(300): None (511): 4(Petroleum) (526): Registration of this mark shall give no right to the exclusive use of the word 'ENERGIES' separately and apart from the mark as a whole. (730): MR GV RAMA RAO of P. O. Box 37376 - 00100, Nairobi, Kenya (740): None



(210): 130402 (220): 09/10/2023

(300): None (511): 5(Preparations for destroying vermin, herbicides and fungicides) (526): Registration of this mark shall give no right to the exclusive use of the numeral "5", the letters "C" and "E" each separately and apart from the mark as a whole. (730): SINERIA KENYA LIMITED of P. O. Box 79777 - 00200, Nairobi, Kenya (740): None

**TRIGER 5 EC**

(210): 130404 (220): 11/10/2023

(300): None (511): 36(Financial transactions and payment services) and 42(Software as a service/platform as a service)

(526): None (730): CULIPA PAYMENT SYSTEMS KENYA LIMITED of P. O. Box 307 - 00100, Nairobi, Kenya (740): None



(210): 130427 (220): 11/10/2023

(300): None (511): 31(agricultural, horticultural and forestry and forestry products and grains not included in other classes; live animals; fresh fruits and vegetables; seeds, natural plants and flowers' foodstuffs for animals' malt), 35((advertisement and business) advertising; business management, business administration; office functions) and 42(scientific and technological services and research and design relating thereto; industrial analysis, industrial research and industrial design services; quality control and authentication services; design and development of computer hardware and software.)

(526): Registration of this mark shall give no right to the exclusive use of the words 'FEEDS', 'MIFUGO', 'LISHE' and 'BORA' each separately and apart from the mark as a whole. Swahili words 'MIFUGO' means 'LIVESTOCK', 'LISHE' means 'NUTRITIOUS' and 'BORA' means 'BETTER' (730): ADIA MILLS LIMITED of P. O. Box 100803 -00101, Nairobi, Kenya (740): Mahmoud Gitau Jillo LLP of P. O. Box 54371 - 00200, Nairobi, Kenya



(210): 130457 (220): 13/10/2023

(300): None (511): 5(Pharmaceuticals) (526): None (730): GALAXY PHARMACEUTICAL LIMITED of P. O. BOX 39107 - 00623, Nairobi, Kenya (740): None

**COTRIGLAX**

(210): 130486 (220): 16/10/2023

(300): None (511): 5(Pharmaceuticals) (526): None (730): ACCORD HEALTHCARE KENYA LIMITED, manufacturer, distributor, wholesaler, retailer of P.O. BOX 1335 - 00606, SARIT CENTRE, NAIROBI, Kenya (740): None

**CLOZATAS**

(210): 130491 (220): 16/10/2023

(300): None (511): 3(Non-medicated cosmetics and toiletry preparations; non-medicated dentifrices; perfumery, essential oils; bleaching preparations and other substances for laundry use; cleaning, polishing, scouring and abrasive preparations.), 5(Pharmaceuticals, medical dietary supplements for human beings and animals; plasters, materials for dressings; material for stopping teeth, dental wax; disinfectants; preparations for destroying vermin; fungicides, herbicides.) and 36(Financial, monetary and banking services; insurance services; real estate affairs.) (526): Registration of this mark shall give no right to the exclusive use of the words "ANTIAGING", "LIVING" and "INC" each separately and apart from the mark as a whole. (730): WAN BARRY of P. O. Box 4415 - 00200, Nairobi, Kenya (740): None

**ANTIAGING QUANTUM  
LIVING INC**

(210): 130501 (220): 17/10/2023

(300): None (511): 5(PHARMACEUTICALS) (526): Registration of this mark shall give no right to the exclusive use of the words "SENN" and "ALOE" each separately and apart from the mark as a whole. (730): GALAXY PHARMACEUTICAL LIMITED of P. O. BOX 39107 - 00623, NAIROBI, Kenya (740): None

**SENN GLAX ALOE**

(210): 130502 (220): 17/10/2023

(300): None (511): 5(Pharmaceuticals) (526): LRegistration of this mark shall give no right to the exclusive use of the letter "L" separately and apart from the mark as a whole. (730): GALAXY PHARMACEUTICAL LIMITED of P. O. Box 39107 - 00623, Nairobi, Kenya (740): None

**L-THYROGLAX**

(210): 130529 (220): 18/10/2023

(300): None (511): 41(Education ; providing of training; sporting and cultural activities) (526): Registration of this mark shall give no right to the exclusive use of the words 'INTERNATIONAL,' 'PREMIER,' 'SCHOOLS,' 'DREAM,' 'BELIEVE' and 'ACHIEVE' and the devices of a 'BOOK' and 'FLAME' each separately and apart from the mark as a whole. (730): KINGDOM SEEKERS FELLOWSHIP of P.O. BOX 14185 - 20100, NAKURU, Kenya (740): None



(210): 130535 (220): 18/10/2023

(300): None (511): 31(Fresh fruits and vegetables) (526): Registration of this trademark shall give no right to the exclusive use of the word "FAWAKIH" separately and apart from the part as a whole. (730): FAWAKIH IMPORT AND EXPORT LTD of P. O. Box 28088 - 00100, KHL Business Park, Godown No. 28, Mlolongo, Nairobi, Kenya (740): None



(210): 130564 (220): 19/10/2023

(300): None (511): 3(Bleaching preparations and other substances for laundry use; cleaning, polishing, scouring and abrasive preparations; nonmedicated soaps; perfumery, essential oils, non-medicated cosmetics, non-medicated hair lotions; non-medicated dentifrices.) (526): The translation into English of the Arabic word 'NADHIF' is 'NOBLE' (730): BAKHSONS DISTRIBUTORS LIMITED of P. O. Box 81214 - 00100, Mwabundu Road, Mombasa, Kenya (740): None



(210): 130624 (220): 24/10/2023

(300): None (511): 33(Dry Ciders, alcoholic beverages (except beer)) (526): None (730): EAST AFRICA BREWERIES PLC of P. O. Box 30161 - 00100, Garden City Business Park, Block A, 5th Floor,, Nairobi, Kenya (740): Coulson Harney Advocates of P. O. Box 10643 - 00100, Nairobi, Kenya

**MANYATTA**

(210): 130655 (220): 25/10/2023

(300): None (511): 30(Ice cream, Coffee) and 43(Food and Drink service) (526): None (730): MOMBASA BLUE ROOM LIMITED of P. O. Box 47845 - 00100, Naairbi, Kenya (740): None

**blueroom**

(210): 130670 (220): 26/10/2023

(300): None (511): 36(Financial and Credit Services) (526): The translation into English of the Kiswahili word 'JIPANGE' is 'GET ORGANIZED' The translation into English of the Kiswahili word 'Na' is 'And' Kulman is the name of the company applying. (730): KULMAN GROUP (K) LTD of P. O. Box 45511 - 00100, Nairobi, Kenya (740): None

**JIPANGE NA KULMAN**

(210): 130671 (220): 26/10/2023

(300): None (511): 41(Entertainment Services) (526): Registration of this mark shall give no right to the exclusive use of the words 'CHOMA' and 'FEST' each separately and apart from the mark as a whole. The translation into English of the Kiswahili word 'CHOMA' is 'BARBECUE'.(730): THE GARDEN BONDO LTD of P. O. Box 18461 - 00100, Nairobi, Kenya (740): None

**CHOMA FEST**

(210): 130675 (220): 26/10/2023

(300): None (511): 29(Milk) (526): None (730): SIMPLE FOODS CO., LTD. Incorporated in Thailand. of 88 Village No. 20, Soi Navanakom 14/1, Khlong Nueng Sub- District, Khlong Luang District, Pathum Thani Province, Thailand (740): CFL Advocates of P .O. Box 23555 - 00100, Nairobi, Kenya





(210): 130676 (220): 26/10/2023

(300): None (511): 30(Ice-cream.) (526): None (730): SIMPLE FOODS CO., LTD. Incorporated in Thailand. of 88 Village No. 20, Soi Navanakom 14/1, Khlong Nueng Sub- District, Khlong Luang District, Pathum Thani Province, Thailand (740): CFL Advocates of P. O. Box 23555 - 00100, Nairobi, Kenya



(210): 130683 (220): 27/10/2023

(300): None (511): 11(Air conditioning apparatus; air conditioners; electric air coolers, air cleaners; bread toasters; electric coffee machines and percolators; cookers; electric cooking utensils; electric deep fryers; electric lamps; electric blenders; electric dry iron box; fans (air-conditioning); freezers, refrigerators; heating apparatus; hot air apparatus; electric heaters; electric clothes heating machine with deodorization and crease-resistant treatment; ceramic electric heaters; Electric laundry dryers for household purposes; Electric gas laundry drying machines; Electric laundry drying machines; Electric clothes dryers; Electric clothes drying machines with sterilization/ deodorization and crease-resistant treatment functions for household purposes; steam iron brush; steam dry iron box; steam iron box; sterilizers; humidifiers and de-humidifiers; uninterruptible power supply generating installations and apparatus; apparatus for lighting, apparatus for heating purposes, Light Emitting Diode(LED) lighting; Plasma Lighting System [PLS] lighting; apparatus for steam generating purposes, apparatus for cooking purposes, apparatus for refrigerating purposes, apparatus for drying purposes, apparatus for ventilating purposes, apparatus for water supply purposes, water purifiers, apparatus for sanitary purposes; solar collectors; electric kettles; electric Jugs, electric coffee makers, electric mocha makers; electric espresso makers; toasters, sandwich toasters, oven toasters, ovens, electric kitchen oven; gas cookers; microwave ovens (cooking apparatus); waffle makers; sandwich makers; hot dog and hamburger makers; hot pots; steam cookers; electric cooking plates; electric food steamers, rotisseries; electric pizza makers; electric egg boilers; frying machines; desk, stand, wall and ceiling fans; domestic and industrial exhaust fans; fan heaters; fluorescent lamps; fluorescent tubes; 011 filled radiators; water heaters: convector heaters; hair dryers; bread makers (electric); electric rice cookers; pressure cookers; apparatus for filtering, softening and purifying water; Water heaters, shower accessories, sanitary valve, bathroom accessories; Gas cooking plates, free standing gas cookers, built in gas cookers, and table top gas cookers parts and fittings) (526): Registration of this mark shall give no right to the exclusive use of the letter 'A' and the device of a "FLAME" each separately and apart from the mark as a whole. (730): APPLIMART TRADING LIMITED of P. O. Box 56639 - 00200, Nairobi, Kenya (740): None



(210): 130684 (220): 27/10/2023

(300): None (511): 41(Education; providing of training; entertainment; sporting and cultural activities; Teaching and Education services provided by schools; providing of training; entertainment; sporting and cultural activities; providing online and in-person training; educational services provided by schools; educational services provided by special needs assistants; educational services, namely, providing live and on- line programs, courses, workshops, videos, seminars, forums, conferences, webcasts, podcasts, demonstration labs, and exhibitions; providing of practical training; tutoring in education; coaching and mentoring children; classes for life skills for children.) (526): Registration of this mark shall give no right to the exclusive use of the word 'RUNDA' and 'SCHOOL' each separately and apart from the mark as a whole. 'CONSEQUUNTUR' is Latin word for 'FOLLOW' in English. 'EXTRAORDINARIUM' is Latin for 'Extraordinary' in English. (730): MILLFIELD RUNDA SCHOOL LIMITED of P. O. Box 58262 - 00200, Nairobi, Kenya (740): None



(210): 130725 (220): 31/10/2023

(300): None (511): 35(Advertising, Business and Retail Services) and 39(Transport; packaging and storage of goods; travel arrangement.) (526): Registration of this mark shall give no right to the exclusive use of the words "BURMA", "GREEN" and "MARKET" each separately and apart from the mark as a whole. (730): SHAURI MOYO BUSINESS ARCADE LLP of P. O. Box 58013 - 00200, Nairobi, Kenya (740): Munene Micheni & Company Advocates of P. O. Box 17164 - 00100, Nairobi, Kenya



(210): 130785 (220): 02/11/2023

(300): None (511): 9(Scientific, research, navigation, surveying, photographic, cinematographic, audiovisual, optical, weighing, measuring, signalling, detecting, testing, inspecting, life-saving and teaching apparatus and instruments; apparatus and instruments for conducting, switching, transforming, accumulating, regulating or controlling the distribution or use of electricity; apparatus and instruments for recording, transmitting, reproducing or processing sound, images or data; recorded and downloadable media, computer software, blank digital or analogue recording and storage media; mechanisms for coin-operated apparatus; cash registers, calculating devices; computers and computer peripheral devices; diving suits, divers' masks, ear plugs for divers, nose clips for divers and swimmers, gloves for divers, breathing apparatus for underwater swimming; fire-extinguishing apparatus.) (526): None (730): METSEC CABLES LTD of P. O. Box 75963 - 00200, Nairobi, Kenya (740): None



(210): 130794 (220): 02/11/2023

(300): None (511): 5(Pharmaceutical preparation for human use) (526): None (730): SANDOZ AG, a Swiss Company of Lichtstrasse 35, 4056 Basel, Switzerland (740): Coulson Harney Advocates of P. O. Box 10643 - 00100, Nairobi, Kenya



(210): 130817 (220): 06/11/2023

(300): None (511): 38(Telecommunications services) (526): Registration of this mark shall give no right to the exclusive use of the word 'AFRICA' and the acronym 'TV' each separately and apart from the mark as a whole. (730): LYLE KENYA of P. O. Box 66602 -0800, West Park Tower 2nd Floor, Muthithi Road, Westlands, Nairobi, Kenya (740): None

**Dream Africa TV**

**(210):** 130827 **(220):** 06/11/2023  
**(300):** None **(511):** 4(Petroleum (crude or refined), products derived from petroleum and petroleum- based preparations; solid, liquid and gaseous fuels; carburants; gas and liquefied petroleum gas; lubricants; industrial oils and greases; paraffins and waxes; lighting fuel; non-chemical additives for carburants, fuels and lubricants; dust absorbing, wetting and binding compositions; fuels (including motor spirit) and illuminants; candles and wicks for lighting.) and 6(Containers and metal containers for storage and transport; metal plugs; cylinders, tanks and vats of metal for gas and petroleum products; pipelines, hoses and metal pipes for the transport of gas and petroleum products.) **(526):** Registration of this mark shall give no right to the exclusive use of the word 'GAS', the numeral "6", the letters "K" & "G" and the device of the "CYLINDER" each separately and apart from the mark as a whole. **(730):** ASTROL PETROLEUM COMPANY LIMITED, a company duly registered under the Laws of Kenya of P. O. Box 11823 - 00400, Nairobi, Kenya **(740):** Kiarie Kariuki And Githii Advocates of P. O. Box 38362 - 00623, 00623, Nairobi, Kenya



**(210):** 130834 **(220):** 07/11/2023  
**(300):** None **(511):** 5(Insecticides) **(526):** Registration of this mark shall give no right to the exclusive use of the words 'DUDU' and 'SUPER' each separately and apart from the mark as a whole. **(730):** KAPI LIMITED of P. O. Box 252 - 20100, KUFANYA ROA, Nakuru, Kenya **(740):** None



**(210):** 130836 **(220):** 07/11/2023  
**(300):** None **(511):** 5(Insecticides) **(526):** None **(730):** KAPI LIMITED of P. O. Box 252 - 20100, KUFANYA ROA, Nakuru, Kenya **(740):** None



**(210):** 130837 **(220):** 07/11/2023  
**(300):** None **(511):** 5(Insecticide) **(526):** Registration of this mark shall give no right to the exclusive use of Letter 'X' each separately and apart from the mark as a whole. **(730):** KAPI LIMITED of P. O. Box 252-20100, Kufanya Roa, Nakuru, Kenya **(740):** None



**(210):** 130839 **(220):** 07/11/2023  
**(300):** None **(511):** 9(electricity conduits, electric switches, contents conductors and connections, electricity connectors switches board and switch boxes for electricity) and 11(apparatus for using lighting heating steam generations cooking, refregating and generating purposes.) **(526):** Registration of this mark shall give no right to the exclusive use of the words 'POWER', 'PROTECT', THE LETTERS 'P', 'B' and 'S' each separately and apart from the mark as a whole. **(730):** YIWU TONTEK IMP & EXP CO., LTD of P. O. Box 69236 - 0062, Nairobi, Kenya **(740):** None



**(210):** 130841 **(220):** 07/11/2023  
**(300):** None **(511):** 30(Tea) **(526):** Registration of this mark shall give no right to the exclusive use of the word 'TEA' each separately and apart from the mark as a whole. **(730):** TIO & TIA MILLERS LTD of P. O. Box 5094 - 00100, NAIROBI, Kenya **(740):** None

**TIO TEA**

**(210):** 130842 **(220):** 07/11/2023  
**(300):** None **(511):** 30(Tea) **(526):** TABAGE' is a coined word **(730):** TIO & TIA MILLERS LIMITED of P. O. Box 5094 - 00100, NAIROBI, Kenya **(740):** None

**TABAGE**

**(210):** 130843 **(220):** 07/11/2023  
**(300):** None **(511):** 30(Tea) **(526):** Registration of this mark shall give no right to the exclusive use of the word 'TEA' each separately and apart from the mark as a whole. **(730):** TIO & TIA MILLERS LIMITED of P. O. Box 5094 - 00100, NAIROBI, Kenya **(740):** None

### TAAGE TEA

**(210):** 130883 **(220):** 09/11/2023  
**(300):** None **(511):** 30(Instant noodles; noodles; dry noodles; rice; starch for food; food flavourings, other than essential oils; seasonings; spices; sauces [condiments]; porridge oats; oat-based food; breakfast cereals; potato starch for food; cornstarch; wheat flakes; bread mixes in powder form; cornmeal; flour; ginger [spice]; pudding; sago; tapioca; pepper.) **(526):** MIE SEDAAP is an Indonesian phrase which when translated into English roughly means 'tasty/delicious noodles'. **(730):** PT WINGS SURYA of JL. KALISOSOK KIDUL NO.2, Desa/Kelurahan, Krembangan Selatan, Kee. Krembangan, Kota Surabaya, Provinsi Jawa Timur, Indonesia **(740):** Muthoni Advocates of P. O. Box 28397 - 00200, Nairobi, Kenya

### MIE SEDAAP

**(210):** 130887 **(220):** 09/11/2023  
**(300):** None **(511):** 3(Non-medicated cosmetics and toiletry preparations; non-medicated dentifrices; perfumery, essential oils; bleaching preparations and other substances for laundry use; cleaning, polishing, scouring and abrasive preparations.) **(526):** Registration of this mark shall give no right to the exclusive use of the words 'SCENTS' and devices of the 'FLOWER' and 'HUMAN BEING' each separately and apart from the mark as a whole. **(730):** THE SCENTURY KENYA LTD of P. O. Box 25942 - 00100, Nairobi, Kenya **(740):** None



**(210):** 130888 **(220):** 09/11/2023  
**(300):** None **(511):** 3(Non-medicated cosmetics and toiletry preparations; non-medicated dentifrices; perfumery, essential oils; bleaching preparations and other substances for laundry use; cleaning, polishing, scouring and abrasive preparations.) **(526):** Registration of this mark shall give no right to the exclusive use of the word 'SCENTS' and device of a 'FLOWER' each separately and apart from the mark as a whole. **(730):** THE SCENTURY KENYA LTD of P. O. Box 25942-00100, Nairobi, Kenya **(740):** None



**(210):** 130889 **(220):** 09/11/2023  
**(300):** None **(511):** 3(Non-medicated cosmetics and toiletry preparations; non-medicated dentifrices; perfumery, essential oils; bleaching preparations and other substances for laundry use; cleaning, polishing, scouring and abrasive preparations.) **(526):** Registration of this mark shall give no right to the exclusive use of the words 'BLUE' and 'AROMA' each separately and apart from the mark as a whole. **(730):** THE SCENTURY KENYA LTD of P. O. Box 25942 -00100, Nairobi, Kenya **(740):** None



**(210):** 130890 **(220):** 09/11/2023  
**(300):** None **(511):** 3(Non-medicated cosmetics and toiletry preparations; non-medicated dentifrices; perfumery, essential oils; bleaching preparations and other substances for laundry use; cleaning, polishing, scouring and abrasive preparations.) **(526):** Registration of this mark shall give no right to the exclusive use of the words 'RED' and 'AROMA' each separately and apart from the mark as a whole. **(730):** THE SCENTURY KENYA LTD of P. O. Box 25942 - 00100, Nairobi, Kenya **(740):** None





(210): 130891 (220): 09/11/2023

(300): None (511): 3(Non-medicated cosmetics and toiletry preparations; non-medicated dentifrices; perfumery, essential oils; bleaching preparations and other substances for laundry use; cleaning, polishing, scouring and abrasive preparations.)

(526): Registration of this mark shall give no right to the exclusive use of the words 'MY', 'SCENTS', 'GRAY' and 'FOR MEN' and device of a FLOWER each separately and apart from the mark as a whole. (730): THE SCENTURY KENYA LTD of P. O. Box 25942 - 00100, Nairobi, Kenya (740): None



(210): 130892 (220): 09/11/2023

(300): None (511): 3(Non-medicated cosmetics and toiletry preparations; non-medicated dentifrices; perfumery, essential oils; bleaching preparations and other substances for laundry use; cleaning, polishing, scouring and abrasive preparations.)

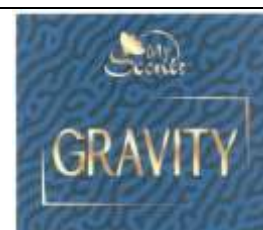
(526): Registration of this mark shall give no right to the exclusive use of the words 'SCENTS' and 'TAHITI' and the device of a 'FLOWER' each separately and apart from the mark as a whole. TAHITI is a Geographical name. (730): THE SCENTURY KENYA LTD of P. O. Box 25942 - 00100, Nairobi, Kenya (740): None



(210): 130893 (220): 09/11/2023

(300): None (511): 3(Non-medicated cosmetics and toiletry preparations; non-medicated dentifrices; perfumery, essential oils; bleaching preparations and other substances for laundry use; cleaning, polishing, scouring and abrasive preparations.)

(526): Registration of this mark shall give no right to the exclusive use of the word 'SCENTS' and device of a FLOWER each separately and apart from the mark as a whole. (730): THE SCENTURY KENYA LTD of P. O. Box 25942 - 00100, Nairobi, Kenya (740): None



(210): 130894 (220): 09/11/2023

(300): None (511): 3(Non-medicated cosmetics and toiletry preparations; non-medicated dentifrices; perfumery, essential oils; bleaching preparations and other substances for laundry use; cleaning, polishing, scouring and abrasive preparations.)

(526): Registration of this mark shall give no right to the exclusive use of the words 'PURPLE' and 'AROMA' and device of a 'FLOWER' each separately and apart from the mark as a whole. (730): THE SCENTURY KENYA LTD of P. O. Box 25942 - 00100, Nairobi, Kenya (740): None



(210): 130895 (220): 09/11/2023

(300): None (511): 3(Non-medicated cosmetics and toiletry preparations; non-medicated dentifrices; perfumery, essential oils; bleaching preparations and other substances for laundry use; cleaning, polishing, scouring and abrasive preparations.)

(526): Registration of this mark shall give no right to the exclusive use of the words 'SCENTS', 'DARK', 'AROMA' and device of a FLOWER each separately and apart from the mark as a whole. (730): THE SCENTURY KENYA LTD of P. O. Box 25942 - 00100, Nairobi, Kenya (740): None



(210): 130896 (220): 10/11/2023

(300): None (511): 9(solar panels for the production of electricity) and 11(Solar lights) (526): Registration of this mark shall give no right to the exclusive use of the letters 'J', 'O', 'S' and 'T' each separately and apart from the mark as a whole. (730): 360 ELECTRONICS LIMITED of P. O. Box 65 - 00610, Eastleigh, Nairobi, Kenya (740): None



**(210):** 130897 **(220):** 10/11/2023  
**(300):** None **(511):** 43(Services for providing food and drinks)  
**(526):** Registration of this mark shall give no right to the exclusive use of the Device of PIN each separately and apart from the mark as a whole. **(730):** ADEBAYO OMONIYI SOTOMI of P. O. Box 55903 - 00200, Nairobi, Kenya **(740):** None



**(210):** 130923 **(220):** 14/11/2023  
**(300):** None **(511):** 30(Coffee, tea, cocoa and artificial coffee; rice; tapioca and sago; flour and preparations made from cereals; bread, pastry and confectionery; ices; sugar, honey, treacle; yeast, baking-powder; salt; mustard; vinegar, sauces (condiments); spices; ice) **(526):** Registration of this mark shall give no right to the exclusive use of the words 'ONE', 'BEAN' and the device of a 'COFFEE BEAN' per se each separately and apart from the mark as a whole. **(730):** COFI & CAF LIMITED of P. O. Box 71432 - 00610, Eastleigh, Nairobi, Kenya **(740):** None



**(210):** 130943 **(220):** 15/11/2023  
**(300):** None **(511):** 7(blender, electrical mixer, electrical iron, wash machine) and 11(gas cooker, electrical cooker(hot plate),f an,electrical keittle, air fryer,refreigerator, water dispensor) **(526):** None **(730):** SUNTONE TECHNOLOGY LIMITED of P. O. Box 61759 -00100, Nairobi, Kenya **(740):** None

**BESSE**

**(210):** 130967 **(220):** 15/11/2023  
**(300):** None **(511):** 35(Marketing & Advertisement) **(526):** None **(730):** JCCP M (KENYA) LIMITED of P. O. Box 50834 - 00100, Woodlands Office Park, 4th floor, Woodlands Road, Nairobi, Kenya **(740):** Magua & Mbatha Advocates of P. O. Box 7270 - 00300, Nairobi



**(210):** 130978 **(220):** 16/11/2023  
**(300):** None **(511):** 6(Common metals and their alloys, ores; metal materials for building and construction; transportable buildings of metal; non-electric cables and wires of common metal; small items of metal hardware; metal containers for storage or transport; safes.) **(526):** Registration of this trademark shall give no right to the exclusive use of the words 'STEEL', 'CHUMA' and 'NGUVU' each separately and apart from the mark as a whole. 'DOSHI' - indian Family name 'CHUMA' - Steel, Metal 'NGUVU' - strength **(730):** DOSHI & COMPANY HARDWARE LTD - STEEL DIVISION of P. O.Box 40671 - 00100, Nairobi, Kenya **(740):** None



**(210):** 130979 **(220):** 16/11/2023  
**(300):** None **(511):** 9(Scientific, research, navigation, surveying, photographic, cinematographic, audiovisual, optical, weighing, measuring, signalling, detecting, testing, inspecting, life-saving and teaching apparatus and instruments; apparatus and instruments for conducting, switching, transforming, accumulating, regulating or controlling the distribution or use of electricity; apparatus and instruments for recording, transmitting, reproducing or processing sound, images or data; recorded and downloadable media, computer software, blank digital or analogue recording and storage media; mechanisms for coin- operated apparatus; cash registers, calculating devices; computers and computer peripheral devices; diving suits, divers' masks, ear plugs for divers, nose clips for divers and swimmers, gloves for divers, breathing apparatus) **(526):** Registration of this trademark shall give no right to the exclusive use of the words 'CABLES', 'LIMITED' and 'POWER' each separately and apart from the mark as a whole. **(730):** METSEC CABLES LTD of P. O. Box 75963 - 00200, NAIROBI, Kenya **(740):** None





**(210):** 130996 **(220):** 16/11/2023  
**(300):** None **(511):** 5(Preparations for destroying vermin, herbicides and fungicides) **(526):** Registration of this mark shall give no right to the exclusive use of the numerals '1', '3' and '4', letters 'S' & 'C' and the device of a plant each separately and apart from the mark as a whole. **(730):** SINERIA KENYA LIMITED a limited liability company incorporated in Kenya of P. O. Box 79777 - 00200, Nairobi, Kenya **(740):** None



**(210):** 131003 **(220):** 16/11/2023  
**(300):** None **(511):** 36(Financial, Monetary and Banking services; Insurance services; Real estate services) **(526):** None **(730):** MUAMAR NABEEL SALEEM KHAN of P. O. Box 786888880 - 00606, Nairobi, Kenya **(740):** None



**(210):** 131011 **(220):** 17/11/2023  
**(300):** None **(511):** 30(Tea and all Tea Products) **(526):** Registration of this mark shall give no right to the exclusive use of the word 'TEA' and devices of a 'HUMAN BEING', 'A BOWL OF CONTENTS', 'TEA LEAVES' and the 'LABEL OF QUALITY PERSE' each separately and apart from the mark as a whole The word 'IMPRA' originates from the English language with no meaning **(730):** IMPERIAL TEAS (PVT) LIMITED of 121A, BIYAGAMA ROAD, KELANIYA, 11600, Sri Lanka **(740):** Sonal Raval Advocate of P .O. Box 10652 - 00400, Nairobi, Kenya.



**(210):** 131023 **(220):** 17/11/2023  
**(300):** None **(511):** 5(Veterinary Pharmaceuticals) **(526):** None **(730):** LIFEKEN LIMITED of P.O. BOX 38206 - 00623, Nairobi, Kenya **(740):** None

**BUPAKING**

**(210):** 131026 **(220):** 17/11/2023  
**(300):** None **(511):** 5(Veterinary Pharmaceuticals) **(526):** None **(730):** LIFEKEN LIMITED of P.O. BOX 38206 - 00623, Nairobi, Kenya **(740):** None

**DIMINAKING**

**(210):** 131027 **(220):** 17/11/2023  
**(300):** None **(511):** 5(Veterinary Pharmaceuticals) **(526):** None **(730):** LIFEKEN LIMITED of P.O. BOX 38206 - 00623, Nairobi, Kenya **(740):** None

**HISTAKING**

**(210):** 131028 **(220):** 17/11/2023  
**(300):** None **(511):** 5(Veterinary Pharmaceuticals) **(526):** Registration of this mark shall give no right to the exclusive use of the Numeral '12' each separately and apart from the mark as a whole **(730):** LIFEKEN LIMITED of P.O. BOX 38206 - 00623, Nairobi, Kenya **(740):** None

**BUTAKING-12**

**(210):** 131042 **(220):** 20/11/2023  
**(300):** None **(511):** 26(Slide fasteners [zippers]; hook and pile fastening tapes; adjustable fasteners for clothing, footwear, headgear and bags; zip fasteners for reclosable plastic bags; buttons; snap buttons [snap fasteners]; ornamental novelty buttons; hooks and eyes; hooks [haberdashery]; eyelets for clothing; shoe eyelets; buckles for clothing; shoe buckles; snap hooks; cord stoppers; cord end stoppers; elastic ribbons; webbing in the nature of woven fabric tapes for sewing purposes; buckles in the nature of tape adjusters; slide fasteners and parts thereof; zipper pulls; plastic pullers to be attached to cord ends of clothing, bags and pouches; metal fittings for bags; clasps for bags, pouches and purses; fastenings for bags, pouches, and purses; buckles for bags, pouches, and purses; length adjusters for shoulder belts, shoulder straps, and straps for bags, pouches, and purses; hooks for belts and straps for bags, pouches, and purses; buckles for backpacks, travel bags, and bags for sports; zip fasteners for bags; clasps for bags; buckles for bags; clasps for



coin purses; clasp fasteners; fastenings for clothing.) (526): None (730): YKK CORPORATION of 1, Kanda izumi-Cho, Chiyoda-ku, Tokyo 101 - 8642, Japan (740): Ndungu Njoroge & Kwach Advocates of P. O. Box 41546 - 00100, Nairobi, Kenya

(210): 131048 (220): 20/11/2023

(300): None (511): 30(Maize Flour) (526): Registration of this mark shall give no right to the exclusive use of the words 'MAIZE' and 'FLOUR' each separately and apart from the mark as a whole. 'HABA' is a coined word (730): SOFLA MILLERS LIMITED of P. O. Box 1230 - 001000, Ruiru, Kenya (740): None

(210): 131091 (220): 22/11/2023

(300): None (511): 9(Scientific, research, navigation, surveying, photographic, cinematographic, audio visual, optical, weighing, measuring, signalling, detecting, testing, inspecting, life-saving and teaching apparatus and instruments; apparatus and instruments for conducting, switching, transforming, accumulating, regulating or controlling the distribution or use of electricity; apparatus and instruments for recording, transmitting, reproducing or processing sound, images or data; recorded and downloadable media, computer software, blank digital or analogue recording and storage media; mechanisms for coin-operated apparatus; cash registers, calculating devices; computers and computer peripheral devices; diving suits, divers' masks, ear plugs for divers, nose clips for divers and swimmers, gloves for divers, breathing apparatus for underwater swimming; fire-extinguishing apparatus; computer hardware and software for facilitating and administering electronic funds transfer, payments and transactions; computer programs relating to financial matters; downloadable software for use in the financial industry; software for financial applications; payment software; apparatus for receiving cash payments; electronic financial transaction apparatus; mechanisms for pre-payment apparatus) and 36(Financial, monetary and banking services; insurance services: real estate services; transfer of funds; funds transfer services; electronic and computerised transfer of funds; bank card, credit card, debit card and electronic payment card services; facilitating or arranging financial transactions; electronic debit transactions; electronic credit transactions; online financial transactions; financial transfers and transactions and payment services; electronic banking; conducting cashless payment transactions; payment processing services; processing of payments for banks; automated payment services; payment administration services; provision of prepaid cards and tokens; processing electronic payments made through pre aid cards) (526): None (730): ABSA BANK LIMITED a South African company of 15 Troye Street, Johannesburg, Gauteng, South Africa (740): Coulson Harney Advocates of P. O. Box 10643 - 00100, Nairobi, Kenya

(210): 131092 (220): 22/11/2023

(300): UK00003969628 19/10/2023 US (511): 3(Non-medicated toilet preparations; toiletries; skin care preparations; skin moisturizers; skin toners; body and beauty care preparations; powders, cleansers, creams and lotions, all for the face, hands and body; exfoliating scrubs for cosmetic purposes; cosmetic suntan preparations; sunscreen oils and lotions; soaps; shower and bath preparations; bath gel, bath oils, bath salts, bath beads, and effervescent bath preparations; beauty masks; talcum powder; nail polish; nail polish remover; false nails; adhesives for cosmetic purposes; cosmetics; eye cream; eye

## HABA MAIZE FLOUR

## ABSA MOBI TAP

## EXXTRA VERT

gels; eye lotions; eye make-up remover; eye shadow; eye liner; eyebrow cosmetics; mascara; lipstick; lip liner; lip-gloss; lip balm; make-up foundation; facial concealer; blusher; tissues impregnated with cosmetic lotions; powdered cosmetic tissues; cotton sticks for cosmetic purposes; cotton wool for cosmetic purposes; pumice stone; preparations for cleaning, moisturising, colouring and styling the hair; shampoos, conditioners, finishing spray, and gels, all for the hair; preparations for cleaning the teeth; shaving and aftershave preparations; perfumes; fragrances; toilet waters; cologne; room fragrances; incense sticks; deodorants for human beings; anti-perspirants for personal use (toiletries); essential oils (cosmetic); oils for perfumes and scents; potpourri; cosmetic and fragrance kits.) (526): None (730): AVON PRODUCTS, INC. of 1 Avon Place, Suffern, New York 10901, United States of America (740): Coulson Harney Advocates of P. O. Box 10643 - 00100, Nairobi, Kenya

(210): 131100 (220): 23/11/2023

(300): None (511): 5(Food Supplements.) (526): None (730): DANIEL JINNEFALT of Hera Tower 1712, Sports City, Dubai, United Arab Emirates (740): CFL Advocates of P. O. Box 23555 - 00100, Nairobi, Kenya

**OmniFer**

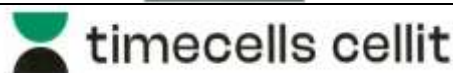
(210): 131106 (220): 23/11/2023

(300): None (511): 32(beers mineral and aerated waters and other non alcoholic beverages,) (526): Registration of this mark shall give no right to the exclusive use of the words 'SAFARI', 'KING', 'SPARKLING', 'PURIFIED', 'DRINKING' and 'WATER' each separately and apart from the mark as a whole. (730): BOUNTY LIMITED of P. O. Box 57387- 00200, LDK House, Dunga Road, Industrial Area, Nairobi, Kenya (740): None



(210): 131143 (220): 24/11/2023

(300): None (511): 42(Scientific and technological services and research and design relating thereto; design and development of computer hardware and software.) (526): Registration of this mark shall give no right to the exclusive use of the word "TIMECELLS" separately and apart from the mark as a whole. (730): TIMECELLS DEVELOPMENT LTD of P. O. BOX 6876 - 00100, Nairobi, Kenya (740): None



(210): 131144 (220): 24/11/2023

(300): None (511): 29(Meat extracts, game, meat, poultry, fish, jellies, jams, compotes, preserved, frozen dried and cooked fruits and vegetables, milk and milk products, edible oil and fats.) (526): Registration of this mark shall give no right to the exclusive use of the word 'FLAVOURS' and the device of a 'FRUIT' each separately and apart from the mark as a whole. (730): GURPREET SINGH MEHTA of P. O. Box 34052 - 80118, Mombasa, Kenya (740): None



(210): 131162 (220): 27/11/2023

(300): None (511): 29(Milk and Milk products) (526): Registration of this mark shall give no right to the exclusive use of the words 'BUTTER' and 'OIL' each separately and apart from the mark as a whole. (730): PEARL DAIRY FARMS LIMITED of Plot 29B, Acacia Avenue P. O. Box 7420 Kampala, Uganda (740): Igeria & Ngugi Advocates of P. O. Box 60635 - 00200, Nairobi, Kenya



(210): 131163 (220): 27/11/2023  
(300): None (511): 29(Milk and Milk products) (526): Registration of this mark shall give no right to the exclusive use of the words 'CHOCOLATE', 'MALT' and 'POWDER' each separately and apart from the mark as a whole. The word Boosti is a coined term derived from the word BOOST (730): PEARL DAIRY FARMS LIMITED of Plot 29B, Acacia Avenue P. O. Box 7420 Kampala, Uganda (740): Igeria & Ngugi Advocates of P. O. Box 60635 - 00200, Nairobi, Kenya



(210): 131182 (220): 27/11/2023  
(300): None (511): 30(Maize flour) (526): Registration of this mark shall give no right to the exclusive use of the words 'MAIZE FLOUR' and devices of 'MAIZE COBS' each separately and apart from the mark as a whole. IMARA is a Swahili word meaning 'RIGID' in English (730): SOFLA MILLERS LIMITED of P. O. Box 1230 - 01000, Ruiru, Kenya (740): None



(210): 131193 (220): 27/11/2023  
(300): None (511): 43(Services for providing food and beverages; restaurants, snack bars, cafeterias, canteens, kiosks, take-away or fast food outlets and related services; central kitchen and food preparation services; consultancy, advisory and information services in relation to the foregoing.) (526): The colours "RED" and "WHITE", as reflected in the accompanying representation, are essential and distinctive features of the mark. (730): ALPACHINO TRADING (PTY) LTD a South African Company of 52 Kubu Avenue, Riverhorse Valley, Business Estate, Newlands Estate, 4037, Kwazulu-Natal, South Africa (740): Coulson Harney Advocates of P. O. Box 10643 - 00100, Nairobi, Kenya



(210): 131197 (220): 29/11/2023  
(300): None (511): 19(processed clay/terra-cotta for ceramic use), 21(goods made of ceramic earthwork and terra-cotta) and 41(pottery classes training) (526): Registration of this mark shall give no right to the exclusive use of the words 'AFRICA' and device of the 'MAP OF AFRICA' each separately and apart from the mark as a whole. (730): CERAMICA AFRICA of P. O. Box 1396 - 00100, Nairobi, Kenya (740): None



(210): 131198 (220): 29/11/2023  
(300): None (511): 1(chemicals, unprocessed artificial resins, unprocessed plastics used in the industry for waterproofing purposes) (526): None (730): BASCO PRODUCTS KENYA LIMITED of P. O. Box 34424 - 00100, Nairobi, Kenya (740): Lalji R. Raghvani Advocate Lalji R. Raghvani Advocates of P. O. Box 46015 - 00100, Nairobi, Kenya

**DURACOAT AQUATECH  
POLYFLEX**

(210): 131199 (220): 29/11/2023  
(300): None (511): 1(chemicals, unprocessed artificial resins, unprocessed plastics used in the industry for waterproofing purposes) (526): Registration of this mark shall give no right to the exclusive use of the word 'MEMBRANE' separately and apart from the mark as a whole. (730): BASCO PRODUCTS KENYA LIMITED of P. O. Box 34424 - 00100, Nairobi, Kenya (740): Lalji R. Raghvani Advocate of P. O. Box 46015 - 00100, Nairobi

**DURACOAT AQUATECH  
APP MEMBRANE**

(210): 131201 (220): 29/11/2023  
(300): None (511): 6(Chainlink, barbed wire) (526): Registration of this mark shall give no right to the exclusive use of the letter 'Z' each separately and apart from the mark as a whole. (730): SUPREME FENCING SOLUTIONS of P. O. Box 10014 -00400, Nairobi, Kenya (740): None





**(210):** 131216 **(220):** 30/11/2023  
**(300):** None **(511):** 16(Paper, cardboard and goods made from these materials, printed matter; photographs; adhesives for stationery or household purposes; artists' materials; paint brushes; plastic materials for packaging) **(526):** None **(730):** BOFA CREATIVE DESIGN SOLUTIONS of P. O. Box 963 - 00606, Nairobi, Kenya **(740):** None



**(210):** 131217 **(220):** 30/11/2023  
**(300):** None **(511):** 16(Paper, cardboard and goods made from these materials, printed matter; photographs; stationery; adhesives for stationery or household purposes; artists' materials; paint brushes; plastic materials for packaging) **(526):** "SEITEKANA" Is an invented word with no particular meaning in the English language **(730):** BOFA.CREATIVE DESIGN SOLUTIONS of P. O. Box 963 - 00606, NAIROBI, Kenya **(740):** None



**(210):** 131218 **(220):** 30/11/2023  
**(300):** None **(511):** 25(Sportswear; clothing, footwear and headgear) **(526):** None The english translation of the kiswahili word "MWENDO" is 'MOVEMENT' **(730):** BOFA .CREATIVE DESIGN SOLUTIONS of P. O BOX 963 - 00606, Nairobi., Kenya **(740):** None



**(210):** 131220 **(220):** 30/11/2023  
**(300):** None **(511):** 26(Hair additions, hair pieces and braids, weaves and wigs, false hair; hair barrettes; plaited hair; decorative articles for the hair; needles; artificial flowers; hair bands, hair extensions; bobby pins; tresses of hair; human hair; ribbons for the hair; hair curlers, synthetic hair, hair ornaments, hair wraps, hair bows, hair clips, hair rollers and hair accessories.) **(526):** Registration of this mark shall give no right to the exclusive use of the word 'beauty' each separately and apart from the mark as a whole. **(730):** WANG HUA of P. O Box 15228 - 00100, NAIrobi, Kenya **(740):** None

**BEAUTY VISTAS**

**(210):** 131221 **(220):** 30/11/2023  
**(300):** None **(511):** 31(Animal feed) **(526):** Registration of this mark shall give no right to the exclusive use of the words 'MAIZE' and 'GERM' each separately and apart from the mark as a whole. 'VETLICK' is a coined word **(730):** GREENVALLEY MILLERS LTD of P. O. Box 954 - 10100, Nyeri, Kenya **(740):** None

**VETLICK MAIZEGERM**

**(210):** 131223 **(220):** 30/11/2023  
**(300):** None **(511):** 30(coffee, tea, cocoa, sugar, rice, tapioca, sago, artificial coffee, bread, pastry and confectionery, ices, honey, treacle, yeast, baking powder, mustard, vinegar, sauces, condiments, spices & ice) **(526):** SAVI is GOD'S name in Hindu **(730):** ANNAPURNA ENTERPRISES LIMITED of P. O BOX 18236 - 00500, Nairobi, Kenya **(740):** None



**(210):** 131254 **(220):** 01/12/2023  
**(300):** None **(511):** 20(Furniture) **(526):** None **(730):** ODDS & ENDS of P. O. Box 11964 - 00400, Nairobi, Kenya **(740):** None



(210): 131286 (220): 04/12/2023

(300): None (511): 30(Maize meal) (526): Registration of this mark shall give no right to the exclusive use of the words 'FORTIFIED', 'MAIZE', 'FLOUR' and device of 'MAIZE COB' each separately and apart from the mark as a whole. Translation into English of the sheng word 'FITY' is 'GOOD' (730): MUMU GRAIN MASTERS LTD of P. O. Box 65 - 80300, Voi, Kenya (740): None



(210): 131302 (220): 05/12/2023

(300): None (511): 30(Sauces and Condiments) (526): Registration of this mark shall give no right to the exclusive use of the words 'TOP', 'TOMATO', 'INDUSTRIES', 'LIMITED' and the Devices of the "TOMATO" and "LEAVES" each separately and apart from the mark as a whole. (730): TOP TOMATO INDUSTRIES LIMITED of P. O. Box 13687 - 00100, Nairobi, Kenya (740): Farrah Munoko & Company of P. O. Box 13687 - 00100, Nairobi, Kenya



(210): 131308 (220): 05/12/2023

(300): None (511): 39(Tours and Travel) (526): Registration of this mark shall give no right to the exclusive use of the words 'EXPLORE', 'SAFARIS', letter 'O' per se and the device of a 'TYRE' each separately and apart from the mark as a whole. (730): TUFYAN LTD of P. O. Box 4343 - 00506, Nairobi, Kenya (740): None



(210): 131322 (220): 06/12/2023

(300): None (511): 44(Laboratory Services relating to treatment of persons) (526): Registration of this mark shall give no right to the exclusive use of the words "LABORATORIES", "NEW" and "CONCEPT" each separately and apart from the mark as a whole. (730): NEPHROMED LIMITED of P. O. Box 13898 - 00800, 2ND Floor, Williamson House, 4TH Ngong Avenue Upperhill, Nairobi, Kenya (740): None

**VISTA LABORATORIES  
A NEW CONCEPT**

(210): 131336 (220): 07/12/2023

(300): None (511): 3(Non-medicated cosmetics and toiletry preparations; non-medicated dentifrices; perfumery, essential oils; bleaching preparations and other substances for laundry use; cleaning, polishing, scouring and abrasive preparations.) (526): Registration of this mark shall give no right to the exclusive use of the words 'HYGIENE', 'HEALTHCARE' and 'SOLUTIONS' each separately and apart from the mark as a whole. (730): HYCHEM HYGIENE AND HEALTHCARE SOLUTIONS LIMITED of P. O. Box 38363 - 00100, Karen, Dagoretti Road, Nairobi, Kenya (740): Alice Wairimu Mugo Advocates of P. O. Box 51546 - 00200, Nairobi, Kenya



(210): 131340 (220): 07/12/2023

(300): None (511): 30(Rice) (526): 'BURAQ' is an Arabic word meaning a 'MAGICAL HORSE' in Islamic Tradition. (730): RIZZ & SONS ENTERPRISES LIMITED of P. O. Box 123 - 80100, Mombasa, Kenya (740): None



(210): 131350 (220): 08/12/2023

(300): None (511): 5(Pharmaceuticals) (526): None (730): GLOBE PHARMACEUTICALS of P.O. Box 58171 - 00200, Nairobi, Kenya (740): None

**SOREXIN**



---

**COCOAI****(210):** 131353 **(220):** 08/12/2023

**(300):** 4-2023-513788 09/06/2023 PH **(511):** 9(Surveying apparatus and instruments; GPS navigation apparatus; network communication equipment; computer terminals; couplers [data processing equipment]; readers [data processing equipment]; mouse [computer peripheral]; mouse pad [computer peripheral]; computer peripheral devices; scanners [data processing equipment]; players for sound and image medias; humanoid robots having communication and learning functions for assisting and entertaining people; TV broadcast transmitting and receiving equipment; record players; portable media players; radios; alarms; connected bracelets [measuring instruments]; operating system program; downloadable computer software used in the field of deep learning for data collection, analysis, and collation; chat robot software used for simulation dialogue; computer operating software; computer program(downloadable software); downloadable mobile applications; computer' software applications, downloadable; computer software, recorded; mobile power (rechargeable battery); covers for tablet computers; tablet computers; smart phone protection cases; microphones; headset; portable power chargers; wireless chargers; USB flash drives; router; head- mounted displays; computers; data processing apparatus; smartwatches; computer,hardware; notebook computers; computer memory devices; smartglasses; computer keyboards; flat panel display; hand-held electronic dictionaries; desktop computers; laptops; fingerprint scanners; computer input devices; printer; smart ring; integrated circuit cards [smart cards]; mobile phone; picturephone set; simultaneous interpretation receivers; cellphone cases; in-car telephone handset cradles; automobile navigation device; cellphone cases; smartphones; holders adapted for mobile telephones and smartphones; protective films adapted for smartphones; wearable activity trackers; smart TV; headsets for playing video games; virtual reality games with headphones; virtual reality glasses; virtual reality headsets; head-mounted virtual reality device for video games; camcorders; television apparatus; headphones; electronic monitoring device; wireless headset for smartphones; portable multimedia players; car audio equipment; video baby monitors; smart speakers; bluetooth earphone; image intensifiers; electronic book readers; video recorders & players; portable speakers; digital camera; portable audio player; cameras; flash lamps for smartphones; sports training electronic simulator; electronic sports training simulator; humanoid robots with artificial intelligence for use in scientific research; motion sensor; electronic motion sensor switch; smartphone display; sports glasses; smartphone battery charger. 38(News agencies services; message sending; computer aided transmission), of messages and images; electronic bulletin board services [telecommunications services]; providing online forums; transmission of digital files; video-on-demand transmission; streaming of data.) and 42(Updating and maintenance of computer software; rental of computer software in the field of deep learning for data collection, analysis, and collation; provides temporary access to online undownloadable computer software in the deep learning field for data collection, analysis, and collation; software as a service [SaaS]; design and development of computer hardware and software; design and development of virtual reality software; design and development of application software for mobile phones; updating of mobile

---

phones software; development of drive and operating system software; platform as a Service [paaS].) (526): None (730): NINGBO ZHIHUI NETWORK TECHNOLOGY CO., LTD, Incorporated in China of 9-17, No.76 Zhenxing North Road, Yishi Village, Yishi Town, Ninghai County, Ningbo City, Zhejiang Province, China (740): CFL Advocates of P.O. Box 23555 - 00100, Nairobi, Kenya

(210): 131358 (220): 08/12/2023

(300): None (511): 41(Betting services) (526): Registration of this mark shall give no right to the exclusive use of the letter 'A' and the word 'BET' each separately and apart from the mark as a whole. (730): COBUIN SOLUTIONS LIMITED of P. O. Box 22204 - 00400, Nairobi, Kenya (740): None



(210): 131359 (220): 08/12/2023

(300): None (511): 31(foodstuffs for animals) (526): Registration of this mark shall give no right to the exclusive use of the words 'MAZIWA', 'MINERAL' and 'SALT' each separately and apart from the mark as a whole. The translation into English of the Kiswahili word 'MAZIWA' is 'MILK'. 'VETLICK' is a coined word (730): GREENVALLEY MILLERS LTD of P. O. Box 954 - 10100, Nyeri, Kenya (740): None

**VETLICK MAZIWA  
MINERAL SALT**

(210): 131360 (220): 08/12/2023

(300): None (511): 32(Drinking water) (526): Registration of this mark shall give no right to the exclusive use of the letters 'A', 'S' and the word 'AQUA' each separately and apart from the mark as a whole. (730): AQUASTREAM DISTRIBUTORS of P. O. Box 166 - 10203, Kigumo, Kenya (740): None



(210): 131374 (220): 08/12/2023

(300): None (511): 30(Maize flour) (526): Registration of this mark shall give no right to the exclusive use of the words 'SUPER', 'MAIZE', 'MEAL', 'WHITE', 'CORN' and device of 'MAIZE COB' each separately and apart from the mark as a whole. The translation into English of the Kiswahili words 'UNGA WENYE USHINDI' is 'WINNING FLOUR' (730): CERTIFIED FLOUR MILLERS LTD of P. O. Box 51036 - 00200, Nairobi, Kenya (740): None



(210): 131388 (220): 11/12/2023

(300): None (511): 11(Apparatus For Lighting, Heating, Steam Generating, Cooking, Refrigerating, Drying, Ventilating, Water Supply And Sanitary Purposes) (526): Registration of this mark shall give no right to the exclusive use of the words 'STORAGE' and 'BATTERY' and letter 'K' each separately and apart from the mark as a whole. (730): BATTERY HUB KG LIMITED of P. O. Box 71212 - 00610, Eastleigh, Nairobi, Kenya (740): None



**COREMED MONDIAL  
HEALTHCARE**

(210): 131391 (220): 11/12/2023

(300): None (511): 35(Advertising; business management; business administration; office functions) (526): Registration of this mark shall give no right to the exclusive use of the word 'HEALTHCARE' separately and apart from the mark as a whole. (730): DEVABHISH LTD of P. O. Box 2774 Sarit Centre, Nairobi, Kenya (740): None

**MONPRAZ**

(210): 131392 (220): 11/12/2023

(300): None (511): 5(Pharmaceuticals) (526): None (730): DEVABHISH LTD of P. O. Box 2774 Sarit Centre, Nairobi, Kenya (740): None

**OVAHENZ**

(210): 131393 (220): 11/12/2023

(300): None (511): 5(Pharmaceuticals) (526): None (730): DEVABHISH LTD of P. O. Box 2774 Sarit Centre, Nairobi, Kenya (740): None

(210): 131394 (220): 11/12/2023  
(300): None (511): 5(Pharmaceuticals) (526): None (730):  
DEVABHISH LTD of P. O. Box 2774 Sarit Centre, Nairobi, Kenya  
(740): None

**MIRABLISS**

(210): 131395 (220): 11/12/2023  
(300): None (511): 5(Pharmaceuticals) (526): None (730):  
DEVABHISH LTD of P. O. Box 2774 Sarit Centre, Nairobi, Kenya  
(740): None

**TURMANAC**

(210): 131407 (220): 13/12/2023  
(300): None (511): 5(Babies' diaper-pants; babies' nappies;  
menstruation tampons; sanitary napkins; sanitary knickers;  
disinfecting wipes; medicated shampoos for pets; food for  
babies; nutritional supplements; nutraceutical preparations  
for therapeutic or medical purposes; antiseptic cotton;  
diapers for pets; diaper changing mats, disposable, for babies;  
swim diapers, disposable, for babies) (526): Registration of  
this mark shall give no right to the exclusive use of the word  
'DIAPERS' separately and apart from the mark as a whole.  
(730): HUGSFIT BABY WORLD LIMITED of P. O. Box 108 -  
00100, Nairobi, Kenya (740): None



(210): 131410 (220): 13/12/2023  
(300): None (511): 11(Apparatus for lighting, heating, steam  
generating, cooking, refrigerating, drying, ventilating, water  
supply and sanitary purposes.) (526): Registration of this mark  
shall give no right to the exclusive use of the words 'GLOW',  
'YOUR', 'LIFE' each separately and apart from the mark as a  
whole. 'IQRA' is an Arabic word which means 'READ' in English.  
(730): DR. VOLT TECHNOLOGIES LIMITED of P. O. Box 38315 -  
00623, Nairobi, Kenya (740): None



(210): 131411 (220): 13/12/2023  
(300): None (511): 11(Apparatus for lighting, heating, steam  
generating, cooking, refrigerating, drying, ventilating, water  
supply and sanitary purposes.) (526): Registration of this mark  
shall give no right to the exclusive use of the acronym 'DR.',  
the words 'VOLT', "SMART", "POWER", "PROTECTION " and the  
device of "POWER FLASH" each separately and apart from the  
mark as a whole. (730): DR.VOLT TECHNOLOGIES LIMITED of  
P. O. Box 38315 - 00623, Nairobi, Kenya (740): None



(210): 131419 (220): 13/12/2023  
(300): None (511): 30(Coffee, tea, cocoa, and artificial  
coffee; rice, pasta and noodles; tapioca and sago; flour and  
preparations made from cereals; bread, pastries and  
confectionery; chocolate; ice cream, sorbets and other edible  
ices; sugar, honey, treacle; yeast, baking powder; salt,  
seasonings, spices, preserved herbs; vinegar, sauces and other  
condiments; ice (frozen water).) (526): Registration of this  
mark shall give no right to the exclusive use of the words  
'ORIGINAL' and 'BAR' each separately and apart from the mark  
as a whole. (730): KADAMANI'S of Bekaa, Rachaya, Main Road,  
Property Number 2334, Lebanon (740): Mosongo & Company  
Advocates of P. O. Box 54229 - 00200, Nairobi, Kenya



(210): 131420 (220): 13/12/2023  
(300): None (511): 30(Coffee, tea, cocoa, and artificial  
coffee; rice, pasta and noodles; tapioca and sago; flour and  
preparations made from cereals; bread, pastries and  
confectionery; chocolate; ice cream, sorbets and other edible  
ices; sugar, honey, treacle; yeast, baking powder; salt,  
seasonings, spices, preserved herbs; vinegar, sauces and other  
condiments; ice (frozen water).) (526): None (730):  
KADAMANI'S of Bekaa, Rachaya, Main Road, Property Number  
2334, Lebanon (740): Mosongo & Company Advocates of P. O.  
Box 54229 - 00200, Nairobi, Kenya



(210): 131433 (220): 14/12/2023

(300): None (511): 36(Payment Services) (526): The Term 'YOGUPAY' is a combination of two words one in Kalenjin Language 'YOGU' which means 'SEND' and the English word PAY (730): TUMAPAY TECHNOLOGIES LIMITED of P. O. Box 22704 - 00505, Nairobi, Kenya (740): Ngugi Mburu Advocates of P. O. Box 22704 - 00505, Nairobi

## YOGUPAY

(210): 131434 (220): 14/12/2023

(300): None (511): 41(Education; providing of training entertainment; sporting and cultural activities) (526): Registration of this mark shall give no right to the exclusive use of the word 'Festival' separately and apart from the mark as a whole. The English translation of the Swahili words 'ZAMA & ZAO' is 'PREVIOUS' and 'THEIR TIME' (730): SOUTHERN HILLS DEVELOPMENT AGENCY LTD of P. O. Box 172 - 80403, Kwale, Kenya (740): None

## ZAMA ZAO FESTIVAL

(210): 131436 (220): 14/12/2023

(300): None (511): 1(Chemicals for use in industry; chemicals for use in science (other than for medical or veterinary use); chemicals used in photography; chemicals used in agriculture; chemicals for use in horticulture (other than fungicides, weedkillers, herbicides, insecticides, parasiticides); chemicals for use in forestry, except fungicides, herbicides, insecticides and parasiticides; chemical solutions for stimulating plant growth; plant nutrients; chemical additives for soil; soil conditioning chemicals; soil improving preparations; plant growth stimulants; biostimulants being plant growth stimulants; plant growth regulating preparations; growing media; fertilizers; bio-fertilizers; chemical fertilizers; complex fertilizers; compound fertilizers; fertilizers for soil; micronutrients for application to crops; micronutrients for crop production; unprocessed artificial resins; unprocessed plastics; prebiotic additives for use in the growth of agricultural products and plants; manures; soil mixes [compost, manures and fertilizers]; amino acids for industrial purposes; amino acids for scientific purposes; chemicals for the purification of amino acids; fire extinguishing compositions; tempering preparations; soldering preparations; chemical substances for preserving foodstuffs; tanning substances (for hides or leather); industrial adhesives; adhesives for industrial purposes.), 5(Pesticides; herbicides; insecticides; fungicides; pesticides, herbicides, insecticides and fungicides for agricultural use and purposes; soil fumigating preparations; soil sterilising preparations.), 35(Offering for sale and the sale of goods in the retail and wholesale trade; wholesale and retail services for chemicals used in agriculture, forestry, horticulture; wholesale and retail services for chemicals for compost, manure and fertilizers; online retail store services featuring chemicals for use in in agriculture, fertilizers, forestry, horticulture; wholesale and retail services for fertilizers and related goods; business management; business administration; office functions.) and 42(Scientific and technological services and research and design relating thereto; industrial analysis, industrial research and industrial design services; quality control and authentication services; design and development of computer hardware and software; biological and chemical research; chemical analysis services; development and testing of chemical production methods; soil analysis; laboratory services for soil analysis; soil percolation testing; analysis of greenhouse gas emissions; research and development services

## RHIZOVATOR



relating to fertilizers.) (526): None (730): OMNIA HOLDINGS LIMITED of Building H, Monte Circle Business Park 178 Montecasino Boulevard Fourways, Gauteng Fourways, Gauteng 2191, South Africa (740): Ensafrica NBMA Advocates LLP of P. O. Box 12342 - 00100, Nairobi, Kenya

(210): 131437 (220): 14/12/2023

(300): None (511): 41(Entertainment and Cultural events) (526): Registration of this mark shall give no right to the exclusive use of the word 'FESTIVAL' and the device of a 'HUMAN BEING perse' each separately and apart from the mark as a whole. The word 'MALAIKA' is a Swahili word meaning an 'ANGEL' in English (730): DUNCAN MWANYUMBA of P. O. Box 69 - 80300, Voi, Kenya (740): None



(210): 131485 (220): 15/12/2023

(300): None (511): 9(Scientific, nautical, surveying, photographic, cinematographic, optical, weighing, measuring, signalling, checking (supervision), life-saving and teaching apparatus and instruments; apparatus and instruments for conducting, switching, transforming, accumulating, regulating or controlling electricity; apparatus for recording, transmission or reproduction of sound or images; magnetic data carriers, recording discs; compact discs, DVDs and other digital recording media; mechanisms for coin-operated apparatus; cash registers, calculating machines, data processing equipment, computers; computer software; fire-extinguishing, apparatus.), 35(Advertising; business management; business administration; office functions.), 36(Insurance; financial affairs; monetary affairs; real estate affairs) and 42(Scientific and technological services and research and design relating thereto; industrial analysis and research services; design and development of computer hardware and software) (526): None (730): MONIEPOINT INC of 16192 Coastal Highway, Lewes, Delaware, United States of America (740): Hamilton Harrison & Mathews of P.O. Box 30333 - 00100, Nairobi, Kenya

### Moniepoint

(210): 131487 (220): 15/12/2023

(300): None (511): 9(Scientific, nautical, surveying, photographic, cinematographic, optical, weighing, measuring, signalling, checking (supervision), life-saving and teaching apparatus and instruments; apparatus and instruments for conducting, switching, transforming, accumulating, regulating or controlling electricity; apparatus for recording, transmission or reproduction of sound or images; magnetic data carriers, recording discs; compact discs, DVDs and other digital recording media; mechanisms for coin-operated apparatus; cash registers, calculating machines, data processing equipment, computers; computer software; fire-extinguishing, apparatus.), 36(Insurance; financial affairs; monetary affairs; real estate affairs) and 42(Scientific and technological services and research and design relating thereto; industrial analysis and research services; design and development of computer hardware and software) (526): None (730): MONIEPOINT INC of 16192 Coastal Highway, Lewes, Delaware, United States of America (740): Hamilton Harrison & Mathews of P. O. Box 30333 - 00100 Nairobi, Kenya

### Monnify



**(210):** 131488 **(220):** 15/12/2023

**(300):** None **(511):** 9(Scientific, nautical, surveying, photographic, cinematographic, optical, weighing, measuring, signalling, checking (supervision), life-saving and teaching apparatus and instruments; apparatus and instruments for conducting, switching, transforming, accumulating, regulating or controlling electricity; apparatus for recording, transmission or reproduction of sound or images; magnetic data carriers, recording discs; compact discs, DVDs and other digital recording media; mechanisms for coin-operated apparatus; cash registers, calculating machines, data processing equipment, computers; computer software; fire-extinguishing, apparatus.), 36(Insurance; financial affairs; monetary affairs; real estate affairs) and 42(Scientific and technological services and research and design relating thereto; industrial analysis and research services; design and development of computer hardware and software) **(526):** None **(730):** MONIEPOINT INC of 16192 Coastal Highway, Lewes, Delaware, United States of America **(740):** Hamilton Harrison & Mathews of P. O. Box 30333 - 00100, Nairobi, Kenya



**(210):** 131489 **(220):** 15/12/2023

**(300):** None **(511):** 9(Scientific, nautical, surveying, photographic, cinematographic, optical, weighing, measuring, signalling, checking (supervision), life-saving and teaching apparatus and instruments; apparatus and instruments for conducting, switching, transforming, accumulating, regulating or controlling electricity; apparatus for recording, transmission or reproduction of sound or images; magnetic data carriers, recording discs; compact discs, DVDs and other digital recording media; mechanisms for coin-operated apparatus; cash registers, calculating machines, data processing equipment, computers; computer software; fire-extinguishing, apparatus.), 36(Insurance; financial affairs; monetary affairs; real estate affairs) and 42(Scientific and technological services and research and design relating thereto; industrial analysis and research services; design and development of computer hardware and software) **(526):** None **(730):** MONIEPOINT INC of 16192 Coastal Highway, Lewes, Delaware, United States of America **(740):** Hamilton Harrison & Mathews of P. O. Box 30333 - 00100, Nairobi, Kenya

**TeamApt**

**(210):** 131490 **(220):** 15/12/2023

**(300):** None **(511):** 9(Scientific, nautical, surveying, photographic, cinematographic, optical, weighing, measuring, signalling, checking (supervision), life-saving and teaching apparatus and instruments; apparatus and instruments for conducting, switching, transforming, accumulating, regulating or controlling electricity; apparatus for recording, transmission or reproduction of sound or images; magnetic data carriers, recording discs; compact discs, DVDs and other digital recording media; mechanisms for coin-operated apparatus; cash registers, calculating machines, data processing equipment, computers; computer software; fire-extinguishing, apparatus.), 36(Insurance; financial affairs; monetary affairs; real estate affairs) and 42(Scientific and technological services and research and design relating thereto; industrial analysis and research services; design and development of computer hardware and software) **(526):** None **(730):** MONIEPOINT INC of 16192 Coastal Highway, Lewes, Delaware, United States of America **(740):** Hamilton Harrison & Mathews of P. O. Box 30333 - 00100, Nairobi, Kenya



**(210):** 131491 **(220):** 15/12/2023

**(300):** None **(511):** 9(Scientific, nautical, surveying, photographic, cinematographic, optical, weighing, measuring, signalling, checking (supervision), life-saving and teaching apparatus and instruments; apparatus and instruments for conducting, switching, transforming, accumulating, regulating or controlling electricity; apparatus for recording, transmission or reproduction of sound or images; magnetic data carriers, recording discs; compact discs, DVDs and other digital recording media; mechanisms for coin-operated apparatus; cash registers, calculating machines, data processing equipment, computers; computer software; fire-extinguishing, apparatus.), 35(Advertising; business management; business administration; office functions.), 36(Insurance; financial affairs; monetary affairs; real estate affairs) and 42(Scientific and technological services and research and design relating thereto; industrial analysis and research services; design and development of computer hardware and software) **(526):** None **(730):** MONIEPOINT INC of 16192 Coastal Highway, Lewes, Delaware, United States of America **(740):** Hamilton Harrison & Mathews of P. O. Box 30333 - 00100, Nairobi, Kenya

## Moniebook

**(210):** 131493 **(220):** 15/12/2023

**(300):** None **(511):** 9(Scientific, nautical, surveying, photographic, cinematographic, optical, weighing, measuring, signalling, checking (supervision), life-saving and teaching apparatus and instruments; apparatus and instruments for conducting, switching, transforming, accumulating, regulating or controlling electricity; apparatus for recording, transmission or reproduction of sound or images; magnetic data carriers, recording discs; compact discs, DVDs and other digital recording media; mechanisms for coin-operated apparatus; cash registers, calculating machines, data processing equipment, computers; computer software; fire-extinguishing, apparatus.), 35(Advertising; business management; business administration; office functions.), 36(Insurance; financial affairs; monetary affairs; real estate affairs) and 42(Scientific and technological services and research and design relating thereto; industrial analysis and research services; design and development of computer hardware and software) **(526):** None **(730):** MONIEPOINT INC of 16192 Coastal Highway, Lewes, Delaware, United States of America **(740):** Hamilton Harrison & Mathews of P. O. Box 30333 - 00100, Nairobi, Kenya

## Moniesend

**(210):** 131499 **(220):** 15/12/2023

**(300):** None **(511):** 39(-Rental of vehicles related to transport, storage and travel, for example, parking place rental, garage rental, rental of storage containers -Services for providing information about journeys or transport of goods by brokers and tourist agencies, as well as for providing information relating to tariffs, timetable and transport methods) and 43(-Temporary accommodation reservations, for example, hotel reservations -Rental of meeting rooms, tents and transportable buildings) **(526):** None **(730):** ANTARA WELLCATION LIMITED of P. O. Box 210 - 00606, Nairobi, Kenya **(740):** W. Kariuki & Co. Advocates of P. O. Box 12583 - 00400, Nairobi, Kenya



(210): 131508 (220): 18/12/2023

(300): None (511): 6(Common metals and their alloys; metal building materials; transportable buildings of metal; materials of metal for railway tracks; non-electric cables and wires of common metal; ironmongery, small items of metal hardware; pipes and tubes of metal; safes; goods of common metal not included in other classes; ores.) (526): Registration of this mark shall give no right to the exclusive use of the word 'ALUMINUM' and letter 'H' each separately and apart from the mark as a whole. (730): SGL HARDWARE 2 LIMITED of P. O. Box 1812 - 00200, Nairobi, Kenya (740): None



(210): 131509 (220): 18/12/2023

(300): None (511): 3(Non-medicated cosmetics and toiletry preparations; non-medicated dentifrices; perfumery, essential oils; bleaching preparations and other substances for laundry use; cleaning, polishing, scouring and abrasive preparations.) (526): Registration of this mark shall give no right to the exclusive use of the word 'ICE' separately and apart from the mark as a whole (730): SHANTOU CITY JINLONG INDUSTRY CO. LTD. of Bldg-4, No.1 Street, Xiachao old Industrial Estate, Taoxi Village, Xiashan Town, Chaonan District, Shantou City, Guangdong, China (740): Ong'anya Omba Advocates LLP of P. O. Box 15598 - 00400, Nairobi, Kenya



(210): 131512 (220): 18/12/2023

(300): None (511): 30(Maize Flour) (526): Registration of this mark shall give no right to the exclusive use of the words 'FORTIFIED', 'SIFTED', 'MAIZE', 'FLOUR' and the device of 'MAIZE COBS' each separately and apart from the mark as a whole. (730): INUA MILLERS LIMITED of P. O. Box 1090 - 00501, Nairobi, Kenya (740): None



(210): 131513 (220): 18/12/2023

(300): None (511): 9(Cables (Fibre Optic Cables)) (526): None (730): GESTECH LIMITED of P. O. Box 105010 - 00100, Nairobi, Kenya (740): None



(210): 131514 (220): 18/12/2023

(300): None (511): 43(Temporary accommodation and reservation) (526): Registration of this mark shall give no right to the exclusive use of the words 'CORAL', 'COVES' and 'DIANI' each separately and apart from the mark as a whole. (730): CORAL COVE BREEZE LIMITED of P. O. Box 5059 - 80401, Diani Beach, Kenya (740): None



(210): 131515 (220): 18/12/2023

(300): None (511): 12(Vehicles; Apparatus for locomotion by land, air or water.), 16(Paper, cardboard and goods made from these materials, not included in other classes; Printed matter; book binding material; photographs; Stationery; adhesives for stationery or household purposes; Artists' materials; paint brushes; typewriters and office requisites (except furniture); instructional and teaching material (except apparatus); plastic materials for packaging (not included in other classes); printers' type; Printing blocks.), 36(Insurance; Financial affairs; Monetary affairs; Real estate affairs.) and 42(Scientific and technological services and research and design relating thereto; industrial; analysis and research services; Design and development of computer hardware and software) (526): Registration of this mark shall give no right to the exclusive use of the words 'CAR', the domain '.COM', the devices of a 'CAR perse' and a 'AGNIFYING LENS' each separately and apart from the mark as a whole. The name



'DUKA' is a Kiswahili word which in English translates to SHOP.  
**(730):** NCBA LEASING LLP of P. O. Box 44599 - 00100, NCBA CENTRE, UPPERHILL, Nairobi, Kenya **(740):** Triple OK Law Advocates of P. O. Box 43170 - 00100, Nairobi, Kenya

**(210):** 131520 **(220):** 18/12/2023

**(300):** None **(511):** 7(Machines, machine tools, power-operated tools; motors and engines, except for land vehicles; machine coupling and transmission components, except for land vehicles; agricultural implements, other than hand-operated hand tools; incubators for eggs; automatic vending machines, Socket coupling.), 17(Unprocessed and semi-processed rubber, gutta-percha, gum, asbestos, mica and substitutes for all these materials; plastics and resins in extruded form for use in manufacture; packing, stopping and insulating materials; flexible pipes, tubes and hoses, not of metal, Rain hose (with UV), thick Drip line (with UV).) and 22(Ropes and strings; nets; tents and tarpaulins; awnings of textile or synthetic materials; sails; sacks for the transport and storage of materials in bulk; padding, cushioning and stuffing materials, except of paper, cardboard, rubber or plastics; raw fibrous textile materials and substitutes therefor, shade net and Dam liners.) **(526):** The word 'IRRIGURU' is a coined word and has no English meaning. **(730):** IRRIGURU LIMITED of P. O. Box 42541 - 00100, Nairobi, Kenya **(740):** None



**(210):** 131521 **(220):** 19/12/2023

**(300):** None **(511):** 9(Scientific, research, navigation, surveying, photographic, cinematographic, audiovisual, optical, weighing, measuring, signalling, detecting, testing, inspecting, life-saving and teaching apparatus and instruments; apparatus and instruments for conducting, switching, transforming, accumulating, regulating or controlling the distribution or use of electricity; apparatus and instruments for recording, transmitting, reproducing or processing sound, images or data; recorded and downloadable media, computer software, blank digital or analogue recording and storage media; mechanisms for coin-operated apparatus; cash registers, calculating devices; computers and computer peripheral devices; diving suits, divers' masks, ear plugs for divers, nose clips for divers and swimmers, gloves for divers, breathing apparatus for underwater swimming; fire-extinguishing apparatus.) **(526):** Registration of this mark shall give no right to the exclusive use of the device of the LIGHTNING FLASH per se each separately and apart from the mark as a whole. **(730):** RICHRIPPLE TECHNOLOGY MANUFACTURE CO. LIMITED of P. O. Box 50804 - 00100, Nairobi, Kenya **(740):** None

RichRipple

**(210):** 131547 **(220):** 19/12/2023

**(300):** None **(511):** 30(Flour) **(526):** Registration of this mark shall give no right to the exclusive use of the words 'UGALI', 'HALISI', 'KULA' and 'YES' each separately and apart from the mark as a whole. The English translation of the Kiswahili words 'KULA' 'UGALI HALISI' is 'EAT GENUINE MAIZE FLOUR MEAL' **(730):** ONE MILLERS LIMITED of P. O. Box 77339 - 00611, Nairobi, Kenya **(740):** None



**(210):** 131559 **(220):** 19/12/2023

**(300):** None **(511):** 5(Pharmaceuticals and preparations for medical use) **(526):** None **(730):** UNIVERSAL CORPORATION LIMITED, Manufacturers & Merchants of P. O. Box 1748 - 00902, Kikuyu, Kenya **(740):** None

Unitan



(210): 131560 (220): 19/12/2023

(300): None (511): 5(Pharmaceuticals and preparations for medical use) (526): None (730): UNIVERSAL CORPORATION LIMITED, Manufacturers & Merchants of P. O. Box 1748 - 00902, Kikuyu, Kenya (740): None

**Unidapa**

(210): 131561 (220): 19/12/2023

(300): None (511): 5(Pharmaceuticals and preparations for medical use) (526): None (730): UNIVERSAL CORPORATION LIMITED, Manufacturers & Merchants of P. O. Box 1748 - 00902, Kikuyu, Kenya (740): None

**UNIROXA**

(210): 131572 (220): 20/12/2023

(300): None (511): 9(Scientific, research, navigation, surveying, photographic, cinematographic, audiovisual, optical, weighing, measuring, signalling, detecting, testing, inspecting, life-saving and teaching apparatus and instruments; apparatus and instruments for conducting, switching, transforming, accumulating, regulating or controlling the distribution or use of electricity; apparatus and instruments for recording, transmitting, reproducing or processing sound, images or data; recorded and downloadable media, computer software, blank digital or analogue recording and storage media; mechanisms for coin-operated apparatus; cash registers, calculating devices; computers and computer peripheral devices.) (526): None (730): NAMUWOZA KENYA LIMITED of P. O. Box 19234 - 00100, Nairobi, Kenya (740): None

**GIRAFFE**

(210): 131576 (220): 20/12/2023

(300): None (511): 30(Coffee, tea, cocoa and substitutes therefor; rice, pasta and noodles; tapioca and sago; flour and preparations made from cereals; bread, pastries and confectionery; chocolate; ice cream, sorbets and other edible ices; sugar, honey, treacle; yeast, baking-powder; salt, seasonings, spices, preserved herbs; vinegar, sauces and other condiments; ice (frozen water)) and 31(Raw and unprocessed agricultural, aquacultural, horticultural and forestry products; raw and unprocessed grains and seeds; fresh fruits and vegetables, fresh herbs; natural plants and flowers; bulbs, seedlings and seeds for planting; live animals; foodstuffs and beverages for animals; malt) (526): The English translation of the Kiswahili word 'AJABIKA' is 'WONDER'. (730): GRAIN INDUSTRIES LIMITED of P. O. Box 43362 - 80100, Mombasa, Kenya (740): None

**AJABIKA**

(210): 131591 (220): 21/12/2023

(300): None (511): 32(MINERAL WATER) (526): Registration of this mark shall give no right to the exclusive use of the word 'Water', the letter 'Q' and the device of 'WATER DROPS' each separately and apart from the mark as a whole. (730): ASOOL TRADING & INVESTMENT LTD of P. O. Box 9221 - 80100, Mombasa, Kenya (740): None



(210): 131596 (220): 21/12/2023

(300): None (511): 32(Purified drinking water.) (526): Registration of this mark shall give no right to the exclusive use of the word 'Oasis' and devices of water stream and drop each separately and apart from the mark as a whole. 'DOGONI' is a Bulgarian word meaning 'CATCH UP' in English. (730): TREASCEND SOLUTIONS of P. O. Box 1272 - 00200, Nairobi, Kenya (740): None





(210): 131597 (220): 21/12/2023

(300): None (511): 22(Sacks for grains storage) (526): Registration of this mark shall give no right to the exclusive use of the words 'KINGA' and 'NJAA' and letters 'A', 'B', 'I' and 'J' each separately and apart from the mark as a whole. The translation into English of the Kiswahili words 'KINGA NJAA' is 'PREVENT HUNGER' (730): Bell Industries Limited of P. O. Box 18603 - 00500, Nairobi, Kenya (740): None



(210): 131598 (220): 21/12/2023

(300): None (511): 22(Sacks for grain storage) (526): Registration of this mark shall give no right to the exclusive use of the words 'BETTER', 'IMPROVED', 'CROP', 'STORAGE' and letters 'B' and 'I' each separately and apart from the mark as a whole. (730): BELL INDUSTRIES LIMITED of P. O. Box 18603 - 00500, Nairobi, Kenya (740): None



(210): 131615 (220): 21/12/2023

(300): None (511): 5(Pharmaceutical and veterinary preparations; sanitary preparations for medical purposes; dietetic substances adapted for medical use, food for babies; plasters, materials:for dressings; material for stopping teeth, dental wax; disinfectants; sanitizers) (526): None (730): NEXTGEN PHARMACEUTICALS (K) LIMITED, Manufacturing, Distribution, Wholesale and Retail of P. O. BOX 20539 - 00100, Nairobi, Kenya (740): None

**DANSET**

(210): 131616 (220): 21/12/2023

(300): None (511): 5(Pharmaceutical and veterinary preparations; sanitary preparations for medical purposes; dietetic substances adapted for medical use, food for babies; plasters, materials: for dressings; material for stopping teeth, dental wax; disinfectants; sanitizers) (526): None (730): NEXTGEN PHARMACEUTICALS (K) LIMITED, Manufacturing, Distribution, Wholesale and Retail of P. O. BOX 20539 - 00100, Nairobi, Kenya (740): None

**TORANEX**

(210): 131621 (220): 28/12/2023

(300): None (511): 16(Letterheads, stationeries, printed matter) and 35(Advertising, business management, business administration, office functions) (526): None (730): WEAVER BIRD GARMENT MANUFACTURERS LTD of P. O. Box 15433 - 00400, Nairobi, Kenya (740): None



(210): 131622 (220): 28/12/2023

(300): None (511): 24(Textiles and textile goods not included in other classes, bed and table cover) (526): None (730): WEAVER BIRD GARMENT MANUFACTURERS LTD of P. O. Box 15433 - 00400, Nairobi, Kenya (740): None



(210): 131626 (220): 29/12/2023

(300): None (511): 32(Pure drinking water) (526): Registration of this mark shall give no right to the exclusive use of the word 'SPRINGS' and devices of 'WATER DROPS' and 'WATER SPRINGS' each separately and apart from the mark as a whole. (730): MISTAN SOLUTIONS LTD of P. O. Box 136 - 20301, Miharati, Kenya (740): None



(210): 131627 (220): 02/01/2024

(300): None (511): 5(insecticide) (526): Registration of this mark shall give no right to the exclusive use of the numerals '1', '6', '0', the letters 'O' and 'D' each separately and apart from the mark as a whole. (730): UNITED CROP SCIENCE CO. LTD of P. O. Box 37351 - 00100, Nairobi, Kenya (740): None

**BISRAC 160 OD**

(210): 131628 (220): 02/01/2024

(300): None (511): 5(Insecticide) (526): Registration of this mark shall give no right to the exclusive use of the numerals '1', '0', the letters 'E' and 'C' each separately and apart from the mark as a whole. (730): UNITED CROP SCIENCE CO. LTD of P. O. Box 37351 - 00100, Nairobi, Kenya (740): None

## PROFIRE 100 EC

(210): 131631 (220): 03/01/2024

(300): None (511): 30(Maize flour) (526): Registration of this mark shall give no right to the exclusive use of the words 'MAIZE MEAL, the devices of 'MAIZE COB' and 'MAP OF KENYA' each separately and apart from the mark as a whole. The translation into English of the Kikuyu vernacular word 'MRIMA' is 'MOUNTAIN' (730): YATAYATA MILLERS of P. O. Box 1373 - 00217, Limuru, Kenya (740): None



(210): 131637 (220): 03/01/2024

(300): None (511): 30(Chocolates, Confectionery, Candies, Biscuits(all types), cakes, Pasta, Macaroni, Noodles, Instant Noodles, Spaghetti, Vermicelli, Yeast, Baking Powder and other Bakery Ingredients, Salad Dressings, Mayonnaise, Vinegar, Ketch Up and Sauces(condiments), ready to cook dough products, frozen dough, frozen parathas, ice creams, nondairy frozen desserts, frozen fruit desserts, ice desserts, coffee, tea, cocoa, sugar, rice, tapioca, sago, artificial coffee, bread, pastry, treacle, salt, mustard, flour made from cereals, spices., Food beverages (Grain-based and Herbal), Gravies, Herbal tea, Honey, Popcorn.) (526): None (730): INTERNATIONAL FOODSTUFFS CO. L. L. C. of Al-Wahda Street, Industrial Area No. 1, P. O. Box 4115 Sharjah, United Arab Emirates (740): Talal Abu-Ghazaleh Intellectual Property of P. O. Box 20140 - 00100, Nairobi, Kenya



(210): 131638 (220): 03/01/2024

(300): None (511): 30(Chocolates, Confectionery, Candies, Biscuits(all types), cakes, Pasta, Macaroni, Noodles, Instant Noodles, Spaghetti, Vermicelli, Yeast, Baking Powder and other Bakery Ingredients, Salad Dressings, Mayonnaise, Vinegar, Ketch Up and Sauces(condiments), ready to cook dough products, frozen dough, frozen parathas, ice creams, nondairy frozen desserts, frozen fruit desserts, ice desserts, coffee, tea, cocoa, sugar, rice, tapioca, sago, artificial coffee, bread, pastry, treacle, salt, mustard, flour made from cereals, spices., Food beverages (Grain-based and Herbal), Gravies, Herbal tea, Honey, Popcorn.) (526): None (730): INTERNATIONAL FOODSTUFFS CO. L. L. C. of Al-Wahda Street, Industrial Area No. 1, P.O. Box 4115 Sharjah, United Arab Emirates (740): Talal Abu-Ghazaleh Intellectual Property of P. O. Box 2537 - 00606, Nairobi, Kenya



(210): 131639 (220): 03/01/2024

(300): None (511): 30(Chocolates, Confectionery, Candies, Biscuits(all types), cakes, Pasta, Macaroni, Noodles, Instant Noodles, Spaghetti, Vermicelli, Yeast, Baking Powder and other Bakery Ingredients, Salad Dressings, Mayonnaise, Vinegar, Ketch Up and Sauces(condiments), ready to cook dough products, frozen dough, frozen parathas, ice creams, nondairy frozen desserts, frozen fruit desserts, ice desserts, coffee, tea, cocoa, sugar, rice, tapioca, sago, artificial coffee, bread, pastry, treacle, salt, mustard, flour made from cereals, spices., Food beverages (Grain-based and Herbal), Gravies, Herbal tea, Honey, Popcorn.) (526): None (730): INTERNATIONAL FOODSTUFFS CO. L. L. C. of Al-Wahda Street, Industrial Area No. 1, P.O. Box 4115 Sharjah, United Arab Emirates (740): Talal Abu-Ghazaleh Intellectual Property of P. O. Box 20140 - 00100, Westlands, Nairobi, Kenya



**(210):** 131640 **(220):** 03/01/2024**(300):** None **(511):** 5(Pesticides, Insecticides, Herbicides, Fungicides & Weedicides.) **(526):** None **(730):** PARIJAT INDUSTRIES (INDIA) PVT. LTD. of Plot No 239, 3rd Floor, Okhla Industrial Area Phase - 3, New Delhi-110 020, India **(740):** Talal Abu-Ghazaleh Intellectual Property Limited of P. O. Box 2537 - 00606, Nairobi, Kenya**PARIMAZE****(210):** 131641 **(220):** 03/01/2024**(300):** None **(511):** 5(Pesticides, Insecticides, Herbicides, Fungicides & Weedicides.) **(526):** None **(730):** PARIJAT INDUSTRIES (INDIA) PVT. LTD. of Plot No 239, 3rd Floor, Okhla Industrial Area Phase - 3, New Delhi-110 020, India **(740):** Talal Abu-Ghazaleh Intellectual Property of P. O. Box 20140 - 00100, Nairobi, Kenya**DUSS****(210):** 131646 **(220):** 04/01/2024**(300):** None **(511):** 39(Transport; packaging and storage of goods; travel arrangement) and 43(Services for providing food and drink; temporary accommodation) **(526):** Registration of this mark shall give no right to the exclusive use of the words 'Food', 'Kenya', 'Platter', and 'Compassion' each separately and apart from the mark as a whole. **(730):** FOOD BANKING KENYA of P. O. Box 966 - 00517, Uhuru Gardens, Nairobi, Kenya **(740):** None**(210):** 131658 **(220):** 05/01/2024**(300):** None **(511):** 21(Aluminium Kitchen Utensils) **(526):** Registration of this mark shall give no right to the exclusive use of the 'POT' each separately and apart from the mark as a whole. **(730):** CRYSTAL INDUSTRIES LTD of P. O. Box 14608 - 00800, NAIROBI, Kenya **(740):** None**(210):** 131661 **(220):** 08/01/2024**(300):** None **(511):** 12(Vehicles; apparatus for locomotion by land, air or water) **(526):** 'BRINFARO' is a coined word that has no meaning in English **(730):** LEO LIU of P. O. Box 18220 - 00500, Bandari Road, Nairobi, Kenya **(740):** None**BRINFARO****(210):** 131662 **(220):** 08/01/2024**(300):** None **(511):** 12(Vehicles; apparatus for locomotion by land, air or water) **(526):** 'SUSANOO' is a coined word that has no meaning in English **(730):** LEO LIU of P. O. Box 18220 - 00500, Bandari Road, Nairobi, Kenya **(740):** None**(210):** 131672 **(220):** 08/01/2024**(300):** None **(511):** 3(Bleaching preparations and other substances for laundry use), 5(Pharmaceutical and veterinary preparations) and 35(Advertising, business management, business administration, office functions) **(526):** Registration of this mark shall give no right to the exclusive use of the words 'PURE', 'SANITARY' and 'TOWELS' each separately and apart from the mark as a whole. **(730):** JEDISON COMPANY LIMITED of P. O. Box 117885 - 00400, Nairobi, Kenya **(740):** None**(210):** 131676 **(220):** 09/01/2024**(300):** None **(511):** 5(PHARMACEUTICALS) **(526):** None **(730):** DEVABHISH LTD of P. O. Box 2774 Sarit Centre, Nairobi, Kenya **(740):** None**KMENO****(210):** 131677 **(220):** 09/01/2024**(300):** None **(511):** 35(Advertising; business management; business administration; office functions) **(526):** None **(730):** DEVABHISH LTD of P.O. Box 2774 Sarit Centre, Nairobi, Kenya **(740):** None**DEVABHISH LTD**

(210): 131678 (220): 09/01/2024  
(300): None (511): 5(Pharmaceuticals) (526): None (730): DEVABHISH LTD of P.O. Box 2774 Sarit Centre, Nairobi, Kenya (740): None

**ENZIGRESS**

(210): 131679 (220): 09/01/2024  
(300): None (511): 5(Pharmaceuticals) (526): None (730): DEVABHISH LTD of P. O. Box 2774 Sarit Centre, Nairobi, Kenya (740): None

**FIGOCARE**

(210): 131680 (220): 09/01/2024  
(300): None (511): 5(Pharmaceuticals) (526): None (730): DEVABHISH LTD of P. O. Box 2774 Sarit Centre, Nairobi, Kenya (740): None

**INAGRESS**

(210): 131681 (220): 09/01/2024  
(300): None (511): 5(Pharmaceuticals) (526): None (730): DEVABHISH LTD of P. O. Box 2774 Sarit Centre, Nairobi, Kenya (740): None

**URSOFEG**

(210): 131685 (220): 09/01/2024  
(300): None (511): 5(Pharmaceutical and veterinary preparations; sanitary preparations for medical purposes; dietetic substances adapted for medical use, food for babies; plasters, materials for dressings; material for stopping teeth, dental wax; disinfectants; sanitizers) (526): Registration of this mark shall give no right to the exclusive use of the letters 'L' and 'C' each separately and apart from the mark as a whole. (730): BIOCHEMIKS PREMIER LTD, a limited liability company duly incorporated under the laws of Kenya of P. O. Box 1031 - 00200, Nairobi, Kenya (740): None

**MONTEK-LC**

(210): 131686 (220): 09/01/2024  
(300): None (511): 1(Foliar Fertilizers used in Agriculture and Horticulture) (526): Registration of this mark shall give no right to the exclusive use of the Letter 'X' each separately and apart from the mark as a whole. (730): AGRICCS AFRICA LIMITED of P. O. Box 7830 - 00100, Nairobi, Kenya (740): None

**CROPALX**

(210): 131691 (220): 09/01/2024  
(300): None (511): 29(Poultry, Eggs) (526): Registration of this mark shall give no right to the exclusive use of the words 'GOLD', 'KENYA', 'HIGH', 'QUALITY', 'EGG' and the device of 'EGGS' each separately and apart from the mark as a whole. (730): Medes Industries of P. O. Box 2721 - 90100, Machakos, Kenya (740): None



(210): 131693 (220): 09/01/2024  
(300): None (511): 32(Mineral and aerated waters) (526): Registration of this mark shall give no right to the exclusive use of the words 'CHEMICHEMI' and 'HALISI' each separately and apart from the mark as a whole. The translation into English of the Luo vernacular word 'DALA' IS 'HOME' The translation into English of the Kiswahili words 'CHEMI CHEMI' and 'HALISI' IS 'FOUNTAIN' and 'REAL' respectively. (730): SUN COUNTRY FOOD & BEVERAGES LIMITED of P. O. Box 97742 - 80112, Mombasa, Kenya (740): None



(210): 131694 (220): 09/01/2024  
(300): None (511): 32(Mineral and aerated waters) (526): Registration of this mark shall give no right to the exclusive use of the words 'TSAVO', 'COOL' and devices of 'BOTTLE', 'GLASS' and 'FRUIT' each separately and apart from the mark as a whole. (730): SUN COUNTRY FOOD & BEVERAGES LIMITED of P. O. Box 97742 - 80112, Mombasa, Kenya (740): None





**(210):** 131702 **(220):** 10/01/2024  
**(300):** None **(511):** 38(Telecommunications) **(526):** Registration of this mark shall give no right to the exclusive use of the letters 'W', 'T' and 'V' each separately and apart from the mark as a whole. Wendo is an Embu word defining unity or care of people **(730):** TRADEWORLD COMPANY LTD of P.O. Box 42445-00200, Nairobi, Kenya **(740):** None



**(210):** 131706 **(220):** 10/01/2024  
**(300):** None **(511):** 37(Services in the field of construction, as well as services involving the restoration of objects to their original condition or their preservation without altering their physical or chemical properties; building construction supervision, construction\*) and 42(Scientific and technological services and research and design relating thereto; industrial analysis, industrial research and industrial design services; quality control and authentication services; design and development of computer hardware and software.) **(526):** Registration of this mark shall give no right to the exclusive use of the words 'MJENGO' and 'SMART' each separately and apart from the mark as a whole. The translation into English of the Swahili word 'MJENGO' is 'CONSTRUCTION' **(730):** MJENGO TECHNOLOGIES LIMITED of P. O. Box 33753 - 00600, Nairobi, Kenya **(740):** None



**(210):** 131711 **(220):** 11/01/2024  
**(300):** None **(511):** 9(Phone screens, headphones, wireless, earphones, battery chargers, cabinets for loudspeakers, data transmission cables, mobile phone chargers.) **(526):** Registration of this mark shall give no right to the exclusive use of the letters 'Y', 'J' and 'H' each separately and apart from the mark as a whole. **(730):** ZHANG BINGXIN of P. O. Box 37397 - 00100, Nairobi, Kenya **(740):** None



**(210):** 131727 **(220):** 12/01/2024  
**(300):** None **(511):** 35(business management, organization and administration; office functions) **(526):** Registration of this mark shall give no right to the exclusive use of the word 'AFRICA' separately and apart from the mark as a whole. That the translation or meaning of the word 'TEJA' is a play on the Swahili word 'TIJA' which means 'PRODUCTIVITY'. By abstracting it we get the double meaning by also implying 'Mteja' i.e. customer **(730):** TEJA SPACES LIMITED of P. O. Box 1858 - 00606, Delta Riverside Office Park, 3rd Floor Riverside Drive, Nairobi, Kenya **(740):** Wakuthii Warui & Co. Advocates of P. O. Box 13726 - 00100, Nairobi, Kenya



**(210):** 131728 **(220):** 12/01/2024  
**(300):** None **(511):** 35(business management, organization and administration; office functions) **(526):** That the translation or meaning of the word TEJA is a play on the Swahili word TEJA, which means 'productivity'. By abstracting it we get the double meaning by also implying 'Mteja' i.e. customer **(730):** TEJA SPACES LIMITED of P. O. Box 1858 - 00606, Delta Riverside Office Park, 3rd Floor Riverside Drive, Nairobi, Kenya **(740):** Wakuthii Warui & Co. Advocates of P. O. Box 13726 - 00100, Nairobi, Kenya



**(210):** 131738 **(220):** 12/01/2024  
**(300):** None **(511):** 11(Apparatus for lighting, heating, steam generating, cooking, refrigerating, drying, ventilating, water supply and sanitary purposes.) **(526):** DURA is a coined word with no meaning in English. **(730):** LOTUS STEEL AND HARDWARE of P. O. Box 262 - 00623, Nairobi, Kenya **(740):** Kiruja Mercy Advocates LLP of P. O. Box 4922 - 00100, Nairobi





(210): 131739 (220): 12/01/2024

(300): None (511): 11(Apparatus for lighting, heating, steam generating, cooking, refrigerating, drying, ventilating, water supply and sanitary purposes.) and 20(Furniture, mirrors, picture frames; goods (not included in other classes) of wood, cork, reed, cane, wicker, horn, bone, ivory, whalebone, shell, amber, mother-of pearl, meerschaum and substitutes for all these materials, or of plastics) (526): DURA is a coined word with no meaning in English. (730): LOTUS STEEL AND HARDWARE of P. O. Box 262 - 00623, Nairobi, Kenya (740): Kiruja Mercy Advocates LLP of P. O. Box 4922-00100, Nairobi, Kenya



(210): 131740 (220): 12/01/2024

(300): None (511): 6(Common metals and their alloys; metal building materials; transportable buildings of metal; materials of metal for railway tracks; non-electric cables and wires of common metal; ironmongery, small items of metal hardware; pipes and tubes of metal; safes; goods of common metal not included in other classes; ores) and 11(Apparatus for Lighting, heating, steam generating, cooking, refrigerating, drying, ventilating, water supply and sanitary purposes.) (526): DURA is a coined word with no meaning in English. (730): LOTUS STEEL AND HARDWARE of P. O. Box 262 - 00623, Nairobi, Kenya (740): Kiruja Mercy Advocates LLP of P. O. Box 4922 - 00100, Nairobi, Kenya



(210): 131747 (220): 12/01/2024

(300): None (511): 41(Youth Leadership Mentorship, Training and Capacity building) (526): Registration of this mark shall give no right to the exclusive use of the words 'AFRICA', 'YOUTH', 'LEADERSHIP', 'FORUM', the acronym 'AYFL' and the device of the 'MAP OF AFRICA' each separately and apart from the mark as a whole. (730): CORNERSTONE DEVELOPMENT KENYA LIMITED of P. O. Box 981 - 00517, Nairobi, Kenya (740): None



(210): 131748 (220): 12/01/2024

(300): None (511): 41(Youth Leadership Mentorship, Training and Capacity building) (526): Registration of this mark shall give no right to the exclusive use of the word 'Development' each separately and apart from the mark as a whole. (730): CORNERSTONE DEVELOPMENT KENYA LIMITED of P. O. Box 981 - 00517, Nairobi, Kenya (740): None



(210): 131750 (220): 15/01/2024

(300): None (511): 35(Advertising; business management; business administration; office functions) (526): Registration of this mark shall give no right to the exclusive use of the words 'MIST' and 'DELIGHT' each separately and apart from the mark as a whole. (730): MIST DELIGHT LIMITED of P. O. Box 394 - 00511, Rongai, Kenya (740): None



(210): 131751 (220): 15/01/2024

(300): None (511): 3(Bleaching preparations and other substances for laundry use; cleaning, polishing, scouring and abrasive preparations; soaps; perfumery, essential oils, cosmetics, hair lotions; dentifrices) and 35(Advertising; business management; business administration; office functions) (526): 'AROMATICA' is a coined name with no meaning in English (730): ADCOM GENERAL TRADERS LIMITED of P. O. Box 394 - 00511, Ongata Rongai, Kenya (740): None



(210): 131752 (220): 15/01/2024

(300): None (511): 41(Education; providing of training entertainment; sporting and cultural activities.) (526): Registration of this mark shall give no right to the exclusive use of the word 'Worldwide' and the letters 'A' and 'J' each separately and apart from the mark as a whole. (730): JA WORLDWIDE of 131 Dartmouth Street, 3rd Floor, Boston, MA, USA 02116, United States of America (740): Ashitiva Advocates LLP of P. O. Box 21372 - 00100, Nairobi, Kenya



(210): 131753 (220): 15/01/2024

(300): None (511): 41(Education; providing of training entertainment; sporting and cultural activities.) (526): Registration of this mark shall give no right to the exclusive use of the words 'Junior' and 'Achievement' each separately and apart from the mark as a whole. (730): JA WORLDWIDE of 131 Dartmouth Street, 3rd Floor, Boston, MA, USA 02116, United States of America (740): Ashitiva Advocates LLP of P. O. Box 21372 - 00100, Nairobi, Kenya



(210): 131754 (220): 15/01/2024

(300): None (511): 41(Education; providing of training entertainment; sporting and cultural activities.) (526): Registration of this mark shall give no right to the exclusive use of the words 'WORLDWIDE', 'KENYA', 'MEMBER' and the letters 'A' and 'J' each separately and apart from the mark as a whole. (730): JA WORLDWIDE of 131 Dartmouth Street, 3rd Floor, Boston, MA, USA 02116, United States of America (740): Ashitiva Advocates LLP of P. O. Box 21372 - 00100, Nairobi, Kenya



(210): 131758 (220): 15/01/2024

(300): None (511): 9(An online platform connecting healthcare professionals seeking to provide healthcare professional services on shift(s) basis as well as healthcare facilities seeking to engage healthcare professionals to provide those services.), 35(A marketing and advertising platform designed to connect healthcare professionals and healthcare facilities thus enabling them to offer medical services on a shift basis.) and 42(a platform that provides human resource services connecting healthcare workers and healthcare facilities.) (526): Registration of this mark shall give no right to the exclusive use of the Letters 'O', 'N', the words 'LOCUM', 'HEALTHCARE' and 'STAFFING' each separately and apart from the mark as a whole. (730): ONLOCUM ONLINE LIMITED of P. O. Box 2523 - 00200, City Square, Nairobi, Kenya (740): Stephen Kimani Gatama, Gatama & Associates LLP of P. O. Box 608 - 00623, Nairobi, Kenya



(210): 131764 (220): 15/01/2024

(300): None (511): 5(Dietary Supplement) (526): Registration of this mark shall give no right to the exclusive use of the word 'FORTE' each separately and apart from the mark as a whole. (730): MARLIN CHEMISTS LTD of P. O. Box 1159 - 60200, Meru, Kenya (740): None

**CARTIGLIDE FORTE**

(210): 131765 (220): 15/01/2024

(300): None (511): 5(Dietary Supplement) (526): Registration of this mark shall give no right to the exclusive use of the Letter 'D' separately and apart from the mark as a whole. (730): MARLIN CHEMISTS LTD of P. O. Box 1159 - 60200, Meru, Kenya (740): None

**CARTIGLIDE- D**

(210): 131766 (220): 15/01/2024

(300): None (511): 5(Dietary Supplement) (526): None (730): MARLIN CHEMISTS LTD of P. O. Box 1159 - 60200, Meru, Kenya (740): None

**FRAMECAL**

(210): 131767 (220): 15/01/2024

(300): None (511): 35(Advertisement; business management ; business administration ; office functions.), 38(Telecommunications.) and 41(Education; providing of training; entertainment; sporting and cultural activities) (526): Registration of this mark shall give no right to the exclusive use of the sir name 'Mungai' and the word 'Media' each separately and apart from the mark as a whole. (730): MUNGAI EVE MEDIA of P. O. Box 32500 - 00600, Lancaster Crescent Apartment, Laikipia Road, Ngara, Nairobi, Kenya (740): None

**MUNGAI EVE MEDIA**

(210): 131771 (220): 16/01/2024

(300): None (511): 4(Fuel Gas) (526): Registration of this mark shall give no right to the exclusive use of the words "GAS" and "ENERGY" each separately and apart from the mark as a whole. Translation of the word 'MAZAL' is 'GOOD LUCK' (730): MAZAL GAS KENYA LIMITED of P. O. Box 17608 - 00100, Nairobi, Kenya (740): None



(210): 131778 (220): 16/01/2024

(300): None (511): 41(Education, providing of training, entertainment, sporting and cultural activities) (526): Registration of this mark shall give no right to the exclusive use of the words "LIGI" and "VIRTUALS" and the devices of a 'HUMAN BEING' and a 'BALL' each separately and apart from the mark as a whole. The translation into English of the slang word 'LIGIBIGI' is 'BIG COMPETITION' (730): JETX SOLUTIONS of P. O. Box 696 - 20100, Nakuru, Kenya (740): None



(210): 131790 (220): 17/01/2024

(300): None (511): 5(Pharmaceutical and veterinary preparations; sanitary preparations for medical purposes; dietetic substances adapted for medical use, food for babies; plasters, materials for dressings; material for stopping teeth, dental wax ; disinfectants ;sanitizers) (526): Registration of this mark shall give no right to the exclusive use of the word 'Slim' separately and apart from the mark as a whole. (730): MEDCURE HEALTHCARE LIMITED, liability company duly incorporated in Kenya of P. O. Box 14069 - 00400, Nairobi, Kenya (740): None

**SLIMFIX**

(210): 131791 (220): 17/01/2024

(300): None (511): 5(Pharmaceutical and veterinary preparations; sanitary preparations for medical purposes; dietetic substances adapted for medical use, food for babies; plasters, materials for dressings; material for stopping teeth, dental wax ; disinfectants ;sanitizers) (526): None (730): MEDCURE HEALTHCARE LIMITED, liability company duly incorporated in Kenya of P. O. Box 14069 - 00400, Nairobi, Kenya (740): None

**LABESIA**

(210): 131793 (220): 17/01/2024

(300): None (511): 3(Bleaching preparations and other substances for laundry use; cleaning, polishing, scouring and abrasive preparations; soaps; perfumery, essential oils, cosmetics, hair lotions; dentifrices.), 7(Machines and machine tools; motors and engines (except for land vehicles); machine coupling and transmission components (except for land vehicles); agricultural implements other than hand-operated; incubators for eggs; automatic vending machines.) and 8(Hand tools and implements(hand-operated); cutlery; side arms; razors.) (526): Registration of this mark shall give no right to the exclusive use of the words 'WELL' and 'DON' each separately and apart from the mark as a whole. (730):



SHENZHEN WELLDON ABRASIVES CO. LTD of B0303B Room, Xinmao Office Building, Minzhi Street, Longhua District, Shenzhen, China **(740)**: Ong'anya Ombo Advocates LLP of Mayfair Suites, 4th Floor Paklands Gardens, Westlands, Park Road, Nairobi, Kenya

**(210)**: 131799 **(220)**: 17/01/2024

**(300)**: None **(511)**: 35(Advertising; Business Management, Organization and administration; office functions) **(526)**: Registration of this mark shall give no right to the exclusive use of the words 'JAZA', 'EVERYDAY', 'LOW' and 'PRICE' each separately and apart from the mark as a whole. The translation into English of the Kiswahili word 'JAZA' is 'FILL' **(730)**: JAZARIBU RETAIL LIMITED of P. O . Box 72519 - 00200, Nairobi, Kenya **(740)**: None



**(210)**: 131816 **(220)**: 17/01/2024

**(300)**: None **(511)**: 41(Entertainment) and 43(Providing temporary accommodation.) **(526)**: Registration of this mark shall give no right to the exclusive use of the devices of "FLAME", 'GRILL' and "BARBEQUE FOLK" each separately and apart from the mark as a whole. 'SOLANA' is the Spanish word for the 'SUNNY SIDE' of a mountain or valley. **(730)**: GEORGE NGUGI of P. O. Box 28916 - 00100, Nairobi, Kenya **(740)**: None



**(210)**: 131817 **(220)**: 17/01/2024

**(300)**: None **(511)**: 25(Clothing, footwear, headwear, uniforms.) and 39(Transport; packaging and storage of goods; travel arrangement and parcel delivery) **(526)**: Registration of this mark shall give no right to the exclusive use of the words 'RIFT', 'SHUTTLE', 'PARCELS', 'LTD', 'EFFICIENT', 'SAFE', 'RELIABLE', the devices of the 'VEHICLE, 'CAMELS, 'FLY DOVE' and 'WINGS' each separately and apart from the mark as a whole. **(730)**: TURKRIFT SHUTTLE AND PARCELS LIMITED of P. O. Box 99 - 30500, Lodwar, Kenya **(740)**: None



**(210)**: 131818 **(220)**: 18/01/2024

**(300)**: None **(511)**: 29(Milk and milk products) **(526)**: Registration of this mark shall give no right to the exclusive use of the word 'DAIRY' and the device of the 'DAIRY COW' each separately and apart from the mark as a whole. **(730)**: KAMUTOHO HOLDING LIMITED of P. O. Box 2445 - 60100, Embu, Kenya **(740)**: None



**(210)**: 131819 **(220)**: 18/01/2024

**(300)**: None **(511)**: 3(Non-medicated cosmetics and toiletry preparations; non-medicated dentifrices; perfumery, essential oils; bleaching preparations and other substances for laundry use; cleaning, polishing, scouring and abrasive preparations.) **(526)**: None **(730)**: TASETI LIMITED of P. O. Box 38823 - 00623, Parklands, 6th Floor Goodman Plaza, Waiyaki Way, Nairobi, Kenya **(740)**: Lee, Kwesiga & Kiprono Advocates LLP of P. O. Box 19200 - 00501 Nairobi, Kenya

**REIAL**

**(210)**: 131827 **(220)**: 18/01/2024

**(300)**: None **(511)**: 44(Psychological care and psychological counselling) **(526)**: Registration of this mark shall give no right to the exclusive use of the words 'PSYCHOLOGICAL' and 'SERVICES' each separately and apart from the mark as a whole. 'TARAJI' is a Swahili word meaning 'HOPE' in English. **(730)**: ANN KINANU ARITHI MUNYAO of P. O. Box 9771 - 00100, Nairobi, Kenya **(740)**: None





(210): 131828 (220): 18/01/2024

(300): None (511): 9(Apparatus and Instruments for Scientific and Research purposes.), 35(Advertising; business management; business administration; office functions.), 38(Telecommunication Services.) and 42(Scientific and technological services and research and design relating thereto; industrial analysis and research services; design and development of computer hardware and software) (526): Registration of this mark shall give no right to the exclusive use of the word 'ZONE' separately and apart from the mark as a whole. (730): DEVZONE INTERNATIONAL of P. O. Box 19607 - 00202, Nairobi, Kenya (740): None



(210): 131836 (220): 18/01/2024

(300): None (511): 36(Real estate affairs) (526): The translation of the Kiswahili word 'RAFIKI' to English is 'FRIEND'. (730): MASSIMO NAVITI of P. O. Box 89 - 80202, Watamu, Kenya (740): None



(210): 131838 (220): 18/01/2024

(300): None (511): 5(Pharmaceutical and veterinary preparations; sanitary preparations for medical purposes; dietetic substances adapted for medical use, food for babies; plasters, materials for dressings; material for stopping teeth, dental wax; disinfectants; sanitizers) and 16(Packaging materials) (526): None (730): RUDHAV PHARMA LIMITED, a Limited Liability Company duly incorporated under the laws of Kenya of P. O. Box 39009 - 00623, Nairobi, Kenya (740): None



(210): 131839 (220): 18/01/2024

(300): None (511): 36(Financial services, financial services related to mobility) (526): None (730): EXPENDO LTD, a limited liability company duly incorporated under the laws of Kenya of P. O. Box 1021 - 00232, Ruiru, Kenya (740): None



(210): 131840 (220): 18/01/2024

(300): None (511): 5(Nutraceutical preparations for therapeutic or medical purposes) (526): 'NJAMBA TI IKERE' is a Kikuyu phrase that means 'STRENGTH IS NOT EQUAL TO MUSCLES' in the English language. (730): FORZA LIFE SCIENCES LIMITED, a Limited Liability Company duly incorporated under the laws of Kenya of P. O. Box 9857 - 00100, Nairobi, Kenya (740): None

**NJAMBA TI IKERE**

(210): 131849 (220): 19/01/2024

(300): None (511): 5(Pharmaceutical and veterinary preparations; sanitary preparations for medical purposes; dietetic substances adapted for medical use, food for babies; plasters, materials for dressings; material for stopping teeth, dental wax; disinfectants; sanitizers) (526): None (730): Q PHARMA LTD, a limited liability company duly incorporated under the laws of Kenya of P. O. Box 29788 - 00100, Nairobi, Kenya (740): None

**PEMBROMAB**

(210): 131850 (220): 19/01/2024

(300): None (511): 5(Pharmaceutical and veterinary preparations; sanitary preparations for medical purposes; dietetic substances adapted for medical use, food for babies; plasters, materials for dressings; material for stopping teeth, dental wax; disinfectants; sanitizers) (526): None (730): Q PHARMA LTD, a limited liability company duly incorporated under the laws of Kenya of P. O. Box 29788 - 00100, Nairobi, Kenya (740): None

**NIVOMAB**



**(210):** 131851 **(220):** 19/01/2024  
**(300):** None **(511):** 5(Pharmaceutical and veterinary preparations; sanitary preparations for medical purposes; dietetic substances adapted for medical use, food for babies; plasters, materials for dressings; material for stopping teeth, dental wax; disinfectants; sanitizers) **(526):** Registration of this mark shall give no right to the exclusive use of the Letter 'Q' separately and apart from the mark as a whole. **(730):** Q PHARMA LTD, a limited liability company duly incorporated under the laws of Kenya of P. O. Box 29788 - 00100, Nairobi, Kenya **(740):** None

## TIZA-Q

**(210):** 131867 **(220):** 22/01/2024  
**(300):** None **(511):** 33(Alcoholic beverages, except beers; alcoholic preparations for making beverages.) **(526):** None **(730):** SPEEDBEV KENYA LIMITED of P. O. Box 11348 - 00100, Nairobi, Kenya **(740):** OLM Law Advocates LLP of P. O. Box 11348 - 00100, Nairobi, Kenya

## GLENMONT

**(210):** 131868 **(220):** 22/01/2024  
**(300):** None **(511):** 33(Alcoholic beverages, except beers; alcoholic preparations for making beverages.) **(526):** Registration of this trademark shall give no right to the exclusive use of the letters "E", "R" and the numeral '9' each separately and apart from the mark as a whole. **(730):** SPEEDBEV KENYA LIMITED of P. O. Box 11348 - 00100, Nairobi, Kenya **(740):** OLM Law Advocates LLP of P. O. Box 11348-00100, Nairobi, Kenya

## 9ER

**(210):** 131869 **(220):** 22/01/2024  
**(300):** None **(511):** 33(Alcoholic beverages, except beers; alcoholic preparations for making beverages.) **(526):** None **(730):** SPEEDBEV KENYA LIMITED of P. O. Box 11348 - 00100, Nairobi, Kenya **(740):** OLM Law Advocates LLP of P. O. Box 11348 - 00100, Nairobi, Kenya

## BONER

**(210):** 131870 **(220):** 22/01/2024  
**(300):** None **(511):** 33(Alcoholic beverages, except beers; alcoholic preparations for making beverages.) **(526):** Registration of this mark shall give no right to the exclusive use of the words 'CHIEF' and 'WHISKY' each separately and apart from the mark as a whole. **(730):** SPEEDBEV KENYA LIMITED of P. O. Box 11348 - 00100, Nairobi, Kenya **(740):** OLM Law Advocates LLP of P. O. Box 11348 - 00100, Nairobi, Kenya

## CHIEF WHISKY

**(210):** 131872 **(220):** 22/01/2024  
**(300):** None **(511):** 33(Alcoholic beverages, except beers; alcoholic preparations for making beverages.) **(526):** 'KABANA' is a Portuguese word that means "HUT", "HOUSE", "SHELTER", "CABIN" or "HOME". **(730):** SPEEDBEV KENYA LIMITED of P. O. Box 11348 - 00100, Nairobi, Kenya **(740):** OLM Law Advocates LLP of P. O. Box 11348 - 00100, Nairobi, Kenya

## KABANA

**(210):** 131873 **(220):** 22/01/2024  
**(300):** None **(511):** 32(Non-alcoholic beverages) **(526):** None **(730):** SPEEDBEV KENYA LIMITED of P. O. Box 11348 - 00100, Nairobi, Kenya **(740):** OLM Law Advocates LLP of P. O. Box 11348 - 00100, Nairobi, Kenya

## MONA LISA

**(210):** 131874 **(220):** 22/01/2024  
**(300):** None **(511):** 33(Alcoholic beverages, except beers; alcoholic preparations for making beverages.) **(526):** None **(730):** SPEEDBEV KENYA LIMITED of P. O. Box 11348 - 00100, Nairobi, Kenya **(740):** OLM Law Advocates LLP of P. O. Box 11348 - 00100, Nairobi, Kenya

## SHOOTERS

(210): 131875 (220): 22/01/2024  
(300): None (511): 33(Alcoholic beverages, except beers; alcoholic preparations for making beverages.) (526): 'SUPRI' is a Portuguese word meaning "PROVIDE OR SUPPLY".(730): SPEEDBEV KENYA LIMITED of P. O. Box 11348 - 00100, Nairobi, Kenya (740): OLM Law Advocates LLP of P. O. Box 11348 - 00100, Nairobi, Kenya

**SUPRI**

(210): 131886 (220): 22/01/2024  
(300): None (511): 36(Real Estate) (526): None (730): CBTG KENYA CO LIMITED of P. O. Box 31519 - 00600, Ngara, Nairobi, Kenya (740): None



(210): 131887 (220): 22/01/2024  
(300): None (511): 11(Electric Kettles, Microwaves) (526): None (730): HIHOME KENYA TECHNOLOGY LIMITED of P. O. Box 31519 - 00600, Nairobi, Kenya (740): None



(210): 131888 (220): 22/01/2024  
(300): None (511): 25(Clothings) (526): None (730): TULIPINA ENTERPRISES LIMITED of P. O. Box 31519 - 00600, Nairobi, Kenya (740): None



(210): 131889 (220): 22/01/2024  
(300): None (511): 5(Baby diapers, Wipes, Sanitary pants) (526): None (730): EGATEE CAPITAL KENYA SMC LIMITED of P. O. Box 37379 - 00100, Nairobi, Kenya (740): None



(210): 131893 (220): 23/01/2024  
(300): None (511): 35(Advertising; business management; business administration; office functions.) (526): Registration of this mark shall give no right to the exclusive use of the device of 'MAP OF AFRICA' separately and apart from the mark as a whole. The translation into English of the Spanish word 'ALAZAN' is 'SORREI' (730): ALAZAN LIMITED of P. O. Box 2346 - 00606, The Village Mji Kenda Road, Lavington, Nairobi, Kenya (740): None



(210): 131894 (220): 23/01/2024  
(300): None (511): 4(Lubricants) (526): Registration of this mark shall give no right to the exclusive use of the words 'MORE', 'POWER', 'MOTION' the devices of 'Flames' per se and 'Bolt' per se each separately and apart from the mark as a whole. 'Betalubs' is a coined word with no meaning in English (730): TOP RICH OILS K LTD of P. O. Box 12314 - 00100, Nairobi, Kenya (740): None



(210): 131895 (220): 23/01/2024  
(300): None (511): 4(Lubricants) (526): Registration of this mark shall give no right to the exclusive use of the letters 'S', 'V', 'N', 'H', the words 'SAVANNAH' and 'ADVANTAGE' each separately and apart from the mark as a whole. (730): SAVANNAH MOTORBIKE SPARES LIMITED of P. O. Box 21797 - 00100, Dhimaa and Sons building, Second Floor, Dakaar Road, Off Enterprise Road, Nairobi, Kenya (740): None



(210): 131896 (220): 23/01/2024  
(300): None (511): 4(Fuels; Industrial oils and greases; Lubricants; dust absorbing, wetting and binding compositions) and 35(Advertising; business management; organization and administration; office functions) (526): Registration of this mark shall give no right to the exclusive use of the word 'ENERGIES' each separately and apart from the mark as a whole. (730): ALBAISON LIMITED of P. O. Box 40111 - 80100, Mombasa, Kenya (740): None



(210): 131897 (220): 23/01/2024

(300): None (511): 16(Paper and cardboard; printed matter; bookbinding material; photographs; stationery and office requisites, except furniture; adhesives for stationery or household purposes; drawing materials and materials for artists; paintbrushes; instructional and teaching materials; plastic sheets, films and bags for wrapping and packaging; printers' type, printing blocks.) (526): Registration of this mark shall give no right to the exclusive use of the letters 'T', 'P' and the 'Tissue paper' device each separately and apart from the mark as a whole. (730): KIM FAY EAST AFRICA LIMITED of P. O. Box 31437 - 00600, Nairobi, Kenya (740): Bob & Bob Advocates of P. O. Box 50570 - 00100, Nairobi, Kenya



(210): 131898 (220): 23/01/2024

(300): None (511): 16(Paper and cardboard; printed matter; bookbinding material; photographs; stationery and office requisites, except furniture; adhesives for stationery or household purposes; drawing materials and materials for artists; paintbrushes; instructional and teaching materials; plastic sheets, films and bags for wrapping and packaging; printers' type, printing blocks.) (526): None (730): KIM FAY EAST AFRICA LIMITED of P. O. Box 31437 - 00600, Nairobi, Kenya (740): Bob & Bob Advocates of P. O. Box 50570 - 00100, Nairobi, Kenya



(210): 131903 (220): 24/01/2024

(300): None (511): 34(Tobacco and tobacco substitutes ; cigarettes and cigars) (526): Registration of this mark shall give no right to the exclusive use of the words 'Cigarette' and the device of a 'Cigarette' each separately and apart from the mark as a whole. (730): SUPERMARK TOBACCO COMPANY (U)LTD of P. O Box 200503, Nakawa, Kampala, Uganda (740): Ndungutse Malinzi & Co. Advocates of P. O. Box 38681-00100, Nairobi, Kenya



(210): 131906 (220): 24/01/2024

(300): None (511): 36(Insurance services) (526): Registration of this mark shall give no right to the exclusive use of the word "BIMA", letters 'B', 'I', 'M' and 'A' each separately and apart from the mark as a whole. The word "BIMA" is a Swahili word which means "INSURANCE" (730): ALLCAN AGENCY NETWORK LTD of P. O Box 8398 - 00200, Nairobi, Kenya (740): None



(210): 131909 (220): 24/01/2024

(300): None (511): 41 (Betting services) (526): Registration of this mark shall give no right to the exclusive use of the letters 'E', 'Y', the numeral '2', the word 'BET' and the device of a 'MOBILE PHONE' each separately and apart from the mark as a whole. (730): YETU BET LIMITED of P. O Box 1516 - 00600, Nairobi, Kenya (740): None



(210): 131916 (220): 24/01/2024

(300): None (511): 45(Security services for the protection of property and individuals, personal and social services rendered by others to meet the needs of individuals) (526): Registration of this mark shall give no right to the exclusive use of the word 'life' separately and apart from the mark as a whole. (730): Light of Life Organization of P. O BOX 946 - 00206, Kiserian, Kenya (740): None



---

(210): 131974 (220): 26/01/2024

(300): None (511): 5(Insecticides, fungicides, herbicides, acaricides, algicides, avicides, bactericides, miticides, molluscicides, nematicides, weedicides, rodenticides and pesticides) (526): None (730): SML KENYA PVT LIMITED of P. O BOX 48076 - 0100, The pavilion, Mwanzi Road, Westland's, Nairobi, Kenya (740): Ong'anya Ombo Advocates LLP of P. O. Box 15598 - 00400, Nairobi, Kenya

**UNITEB**

---

(210): 131975 (220): 26/01/2024

(300): None (511): 35(Advertising; business management; business administration; office functions including but not limited to brand management, planning, media, creative, marketing, publicity, promotional, event management and organisation of exhibitions and social events, product launches, administration and consultancy services, information services and market surveys; offering for sale and the sale of goods in the retail and wholesale trade; services ancillary and related to the a foregoing) and 41(Education; provision of training; organisation of sporting, cultural and entertainment events; organisation and hosting of awards and competitions; ticket reservation and booking services for entertainment, educational and sporting events; organisation, production and presentation of shows, competitions, games, quizzes, studio entertainment and audience participation events, roadshows, concerts, club entertainment services, exhibitions and events; language teaching; provision of information, consultancy and advisory services relating to an of the aforesaid services, including such services provided online from a computer network or via the internet or extranets.) (526): Registration of this mark shall give no right to the exclusive use of the words 'VIP "and "EXPRIENCE" each separately and apart from the mark as a whole. (730): SOKOVERSE GROUP LIMITED of P. O BOX 60273, Bishop Magua Building,Ngong Road GPO, Nairobi, Kenya (740): BK Legal & Associates of P. O. Box 11777 - 00100, Nairobi, Kenya

**VIP EXPRIENCE**

---

(210): 131976 (220): 26/01/2024

(300): None (511): 17(rubber; raw or semi-worked; synthetic rubber) (526): Registration of this mark shall give no right to the exclusive use of the words 'ANCIENT', 'GOURD', 'HUMAN BEING' and 'HEART' each separately and apart from the mark as a whole. The mark consists of two Chinese characters "Changshou" meaning "longlife" (730): CHONGING HUAYI CHANGSHOU CHEMICAL GROUP CO; LTD. of No.5 Hua Bei Second Road Changshou District, Chonging City, China (740): Ong'anya Ombo Advocates LLP of P. O. Box 15598 - 00400, Nairobi, Kenya



---

(210): 131994 (220): 26/01/2024

(300): None (511): 43(Services for providing food and drink;temporary accommodation) (526): Registration of this mark shall give no right to the exclusive use of the words 'RESORT', 'HOTEL', the letters 'L' and 'A' and devices of the 'COCONUT TREE' each separately and apart from the mark as a whole. (730): FOOD GOURMENT LIMITED of P.O Box 40532 - 80100, Mombasa, Kenya (740): None

---





(210): 131995 (220): 26/01/2024

(300): None (511): 29(Beers; mineral and aerated waters and other non-alcoholic beverages; fruit beverages and fruit juices; syrups and other preparations for making beverages) and 32(Milk, Sugar) (526): Registration of this mark shall give no right to the exclusive use of the words 'MOUNT ELGON', 'PURE', 'QUALITY', 'NATURAL, GOODNESS, '100%', the devices of 'MOUNTAIN' and 'FOREST' each separately and apart from the mark as a whole. (730): MOUNTAIN ELGON PACKERS LIMITED of P. O BOX 55 - 30200, Kitale, Kenya (740): None



(210): 131996 (220): 26/01/2024

(300): None (511): 43(Services for providing food and drink ;temporary accommodation) (526): Registration of this mark shall give no right to the exclusive use of the words 'PRESTIGE',"CLUB" and letter "P" each separately and apart from the mark as a whole. (730): PROLYFT DIGITAL AFRICA LIMITED of P. O Box 39546, Parklands, Nairobi, Kenya (740): None



(210): 132013 (220): 29/01/2024

(300): None (511): 17(Plastic used in manufacturing in form of sheets.) (526): Registration of this mark shall give no right to the exclusive use of the words 'PRIME', 'ASSURED', 'QUALITY', the letters 'S' and 'G' each separately and apart from the mark as a whole. (730): CHARLES GAITHUMA KAMAU of P. O. Box 12687 - 00400, Nairobi, Kenya (740): None



(210): 132014 (220): 29/01/2024

(300): None (511): 3(Non-medicated dentifrices) and 21(Toothbrush) (526): None 'TABASAMU' is a Swahili word which translates to 'SMILE' in English. (730): MEGLEY ENTERPRISES LIMITED of P. O. Box 1001 - 00232, Ruiru, Kenya (740): None



(210): 132023 (220): 30/01/2024

(300): None (511): 3(Bleaching preparations and other substances for laundry use; cleaning, polishing, scouring and abrasive preparations; soaps; perfumery, essential oils, cosmetics, hair lotions; dentifrices.) (526): 'WIGO' is a coined word with no meaning in English. (730): MZURII MEDIA GROUP LIMITED of P. O. Box 60150 - 00100, Nairobi, Kenya (740): None



(210): 132024 (220): 30/01/2024

(300): None (511): 3(Bleaching preparations and other substances for laundry use; cleaning, polishing, scouring and abrasive preparations; soaps; perfumery, essential oils, cosmetics, hair lotions; dentifrices.) (526): Registration of this mark shall give no right to the exclusive use of the words 'LOVELY' and 'TONES' each separately and apart from the mark as a whole. (730): MZURII MEDIA GROUP LIMITED of P. O. Box 60150 - 00100, Nairobi, Kenya (740): None

**LOVELY TONES**

(210): 132032 (220): 30/01/2024

(300): None (511): 43(Services for providing food and drinks; temporary accommodation.) (526): Registration of this mark shall give no right to the exclusive use of the words 'VENTURES' and 'LIMITED' each separately and apart from the mark as a whole. (730): SUGAR BOWL VENTURES LIMITED of P. O. Box 358 - 00621, Village market, Nairobi, Kenya (740): None

**SUGAR BOWL  
VENTURES LIMITED**



**(210):** 132033 **(220):** 30/01/2024  
**(300):** None **(511):** 43(Services for providing food and drinks; temporary accommodation.) **(526):** Registration of this mark shall give no right to the exclusive use of the words 'DELICIOUS' and 'SWEET' each separately and apart from the mark as a whole. **(730):** SUGAR BOWL VENTURES LIMITED of P. O. Box 358 - 00621, Village market, Nairobi, Kenya **(740):** None



**(210):** 132038 **(220):** 31/01/2024  
**(300):** None **(511):** 38(Television broadcasting services) **(526):** Registration of this mark shall give no right to the exclusive use of the acronym 'TV' each separately and apart from the mark as a whole. The English translation of the Agikuyu word 'KIRIMA' is MOUNTAIN. **(730):** IBRAHIM SWALEH of P. O. Box 1453 - 60100, Embu, Kenya **(740):** None

**KIRIMA TV**

**(210):** 132077 **(220):** 02/02/2024  
**(300):** None **(511):** 3(Bleaching preparations and other substances for laundry use; cleaning, polishing scouring and abrasive preparations; soaps perfumery, essential oils, cosmetics, hair lotions, dentifrices) **(526):** Registration of this mark shall give no right to the exclusive use of the the word 'BEAUTY' separately and apart from the mark as a whole . **(730):** LOOPWORKS VENTURES of P. O. Box 58132 - 00100, Nairobi, Kenya **(740):** None

**AFROBLOOM BEAUTY**

**(210):** 132078 **(220):** 02/02/2024  
**(300):** None **(511):** 3(Bleaching preparations and other substances for laundry use; cleaning, polishing scouring and abrasive preparations; soaps perfumery, essential oils, cosmetics, hair lotions, dentifrices) **(526):** Registration of this mark shall give no right to the exclusive use of the words 'GLOW' and 'NATURALS' each separately and apart from the mark as a whole. **(730):** LOOPWORKS VENTURES of P. O. Box 58132 - 00100, Nairobi, Kenya **(740):** None

**SAVANNA GLOW  
NATURALS**

**(210):** 132080 **(220):** 02/02/2024  
**(300):** None **(511):** 3(Bleaching preparations and other substances for laundry use; cleaning, polishing, scouring and abrasive preparations; soaps; perfumery, essential oils, cosmetics, hair lotions; dentifrices) **(526):** Registration of this mark shall give no right to the exclusive use of the letter 'M', the words 'MULTIPURPOSE' and 'SOAP' each separately and apart from the mark as a whole. The translation into English of the Kiswahili word 'MWANANCHI' is 'CITIZEN' **(730):** MIDEAST INDUSTRIAL HOLDINGS LIMITED of P. O. Box 49568 - 00100, Nairobi, Kenya **(740):** None



**(210):** 132136 **(220):** 06/02/2024  
**(300):** None **(511):** 35(Advertising; business management; business administration; office functions), 41(Education; providing of training; entertainment; sporting and cultural activities.) and 42(Scientific and technological services and research and design relating thereto; industrial analysis and research services; design and development of computer hardware and software) **(526):** Registration of this mark shall give no right to the exclusive use of the words 'BORESHA', 'BIZ', 'BUSINESS' and 'BETTER' each separately and apart from the mark as a whole. 'BORESHA' is a Swahili word meaning make 'BETTER' while 'BIZ' is short form for 'BUSINESS' **(730):** HAVE A GO BUSINESS SYSTEMS LIMITED of P. O. Box 10191 - 00100, Nairobi, Kenya **(740):** None



(210): 132161 (220): 07/02/2024  
 (300): None (511): 2(Paints, varnishes, lacquers; preservatives against rust and against deterioration of wood; colorants; mordants; raw natural resins; metals in foil and powder form for painters, decorators, printers and artists.) and 35(Advertising; business management; business administration; Office function) (526): Registration of this mark shall give no right to the exclusive use of the word 'PAINTS' and letters 'P' and 'C' each separately and apart from the mark as a whole. (730): PEVICODO LIMITED of P. O. Box 58069 - 00200, Viwandani Dornholm, Embakasi District, Nairobi, Kenya (740): None



(210): 132183 (220): 07/02/2024  
 (300): None (511): 5(PHARMACEUTICALS) (526): None (730): DEVABHISH LTD of P. O BOX 2774, SARIT CENTRE, Nairobi, Kenya (740): None

**CILOMED**

(210): 132192 (220): 07/02/2024  
 (300): None (511): 36(Insurance; financial affairs; monetary affairs; real estate affairs), 41(Education; providing of training; entertainment; sporting and cultural activities) and 45(Legal services; security services for the protection of property and individuals; personal and social services rendered by others to meet the needs of individuals) (526): The translation into English of the Kiswahili words 'SISI KWA SISI' is 'OURSELVES for OURSELVES'. (730): STEPHEN MURE YAA of P. O. Box 5028 - 80401 and MARTIN MUTHOKA MUTUKU of P. O. Box 5028 - 80401, Diani, Mombasa, Kenya (740): None



(210): 132241 (220): 13/02/2024  
 (300): None (511): 41(Training and consulting) (526): None (730): VINCENT CHABBAGA of P. O. Box 20448 - 00100, Nairobi, Kenya (740): None



(210): 132308 (220): 16/02/2024  
 (300): None (511): 30(Wheat flour, baking powder, Maize flour, yeast, sugar, biscuits, waffles and confectionery.) (526): 'TARA' is an invented word with no meaning in English. (730): TAMTAMZ LTD of P. O. Box 924 - 40100, Nairobi, Kenya (740): None

**TARA**

(210): 132309 (220): 16/02/2024  
 (300): None (511): 30(Wheat flour, baking powder, Maize flour, yeast, sugar, biscuits, waffles and confectionery.) (526): 'NARA' is an invented word with no meaning in English. (730): TAMTAMZ LTD of P. O. Box 924 - 40100, Nairobi, Kenya (740): None

**NARA**

**11.2 Corrigenda**

(111) Mark number: **58010**  
 (540) Trade Mark:



(511) Classes: **5, 35 and 44**  
 (442) Date of advertisement: **15th June 2021**  
 (580) Corrections

The application was erroneously advertised for removal in the special journal of 15th June 2021

.....

(111) Mark number: **124043**

(540) Trade Mark:



(511) Classes: **4 and 39**

(442) Date of advertisement: **31st December, 2022**

(581) Corrections

The correct numbering of classification is as below;

**4 (Industrial oils and greases, wax; lubricants; Dust absorbing, wetting and binding compositions; Fuels and illuminants; Candles and wicks for lighting) and**

**39 (Transport; Packaging and storage of goods; Travel arrangement)**

.....  
(111) Mark number: **128216**

(540) Trade Mark:



(511) Classes: **9, 35, 36, 38, 39, 42 and 43**

(442) Date of advertisement: **31st October, 2023**

(582) Corrections

In the classification of goods, class 39 was omitted and should appear as below:

**39(Transport; packaging and storage of goods; travel arrangements)**

### 11.3 Alterations

(111) Mark number: **67835**

(730) Proprietor: **TANGA PHARMACEUTICAL AND PLASTICS LTD of Dunga Industrial Area, P.O. BOX 1748 Tanga, United Republic of Tanzania**

(511) Class: **3**

(750) Address for service: **Coulson Harney Advocates of P. O. Box 10643 - 00100, Nairobi, Kenya**

(580) The mark is amended so that henceforth it appears as shown here under

**Registration of this mark shall give no right to the exclusive use of all descriptives terms (in English) and their translations except as uniquely presented on the get-up each separately and apart from the mark as a whole.**



.....  
(111) Mark number: **92780**

(730) Proprietor: **DALJIR TRADING AND GENERAL SERVICES LIMITED** of P. O. Box 40947 - 00100, Nairobi, Kenya

(511) Class: **30**

(750) Address for service:

(580) The mark is amended so that henceforth it appears as shown here under

Registration of this mark shall give no right to the exclusive use of the letters "A", "J", "M", "S", the devices of a "EAGLE" and "RICE PLANT" each separately and apart from the mark as a whole



.....  
(111) Mark number: **93972**

(730) Proprietor: **SUKARI INDUSTRIES LTD** of P. O. Box 237 - 40302, Ndhiwa, Kenya

(511) Class: **30**

(750) Address for service:

(580) The mark is amended so that henceforth it appears as shown here under

Registration of this mark shall give no right to the exclusive use of the devices of "SUGAR CANE LEAVES", "SUN", "MOUNTAIN", the words 'SWEETNESS', "SUGAR" and 'CRYSTAL' each separately and apart from the mark as a whole.

Translation into English of the Swahili word 'NAITIRI' is 'WARRIORS'.



.....  
(111) Mark number: **98931**

(730) Proprietor: **Pearl Dairy Farms Limited** of Plot 29B, Acacia Avenue, P. O. Box 7420, Kampala, Uganda

(511) Class: **29**

(750) Address for service: **Gadhia Law** of P. O. Box 1075 - 00606, Nairobi

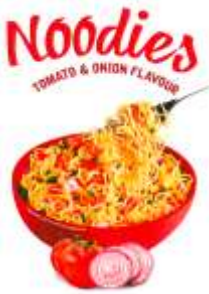
(580) The mark is amended so that henceforth it appears as shown here under:

Registration of this mark shall give no right to the exclusive use of the word 'BUTTER' and the device of a "SPREAD" each separately and apart from the mark as a whole.



.....  
 (111) Mark number: 99615  
 (730) Proprietor: BIDCO AFRICA LIMITED of P.O. BOX 239, 01000, Thika, Kenya  
 (511) Class: 30  
 (750) Address for service:  
 (580) The mark is amended so that henceforth it appears as shown here under:

Registration of this mark shall give no right to the exclusive use of the words "NOODIES", 'TOMATO', 'ONION', the devices of 'COOKED NOODLES', 'TOMATOES', 'BOWL' 'FORK' and 'ONIONS" each separately apart from the mark as a whole.



.....  
 (111) Mark number: 115795  
 (730) Proprietor: MENENGAI OIL REFINERIES LTD of P. O Box 2918 - 20100, Nakuru, Kenya  
 (511) Class: 31  
 (750) Address for service:  
 (580) The mark is amended so that henceforth it appears as shown here under:

Registration of this mark shall give no right to the exclusive use of the words 'QUALITY', 'AVOCADOS' and the device of the "AVOCADO" each separately and apart from the mark as a whole. The mark is proceeding in series.



11.4 Removal

Section 23 of the Trade Marks Act provides that registration of a trade mark in Kenya shall expire after a period of ten (10) years. The Act also provides that the proprietor of a registered trade mark may make an application for renewal of the trade mark upon completion of the prescribed Form TM 10 and payment of the prescribed renewal fee.



Rule 65 of the Trade Mark Rules provides that where no application for renewal of a registered trade mark is received upon expiry of the ten year period, the Registrar of Trade Marks shall notify the proprietor of this fact. Where no application for renewal of the registered trade mark is received within a period of **sixty (60) days** from the date of the notice for renewal by the Registrar, rule 67 of the Trade Mark Rules requires the Registrar of Trade Marks to publish this fact.

**In accordance with the above provisions, the Registrar of Trade Marks hereby notifies the public that the proprietors of the trade marks indicated below were duly notified and that they did not file applications for renewal of their respective trade marks.**

In accordance with the provisions of rules 67 and 68 of the Trade Mark Rules, the public is hereby notified as follows:

- (a) Where the proprietor of a registered trade mark makes an application for renewal of a mark that has been published herein and pays the renewal fee together with the additional prescribed late renewal fee **within thirty (30) days** from the date of this publication, the trade mark shall be renewed and shall not be removed from the Register of Trade Marks;
- (b) Where no application for renewal of a trade mark published herein is received **within thirty (30) days** from the date of this publication, the trade mark shall be forthwith removed from the Register of Trade Marks; and

Once the trade mark is removed from the Register of Trade Marks, the proprietor may thereafter make an application for renewal of the mark upon payment of the prescribed renewal fee together with the additional prescribed restoration fee. The trade mark shall then be restored to the Register of Trade Marks upon the Registrar of Trade Marks being satisfied that it is just to do so and upon imposing such conditions as the Registrar may deem fit.

TM. No.	Date of Application	Trade Mark	Class	Registered Proprietor	Expiry Date
26474	11/09/1979	UPJOHN	5	PHARMACIA & UPJOHN COMPANY	September 11, 2014
42122	30/01/1995	TAUSI TEA (and logo)	30	Tropikal Brands (Afrika) Limited	January 30, 2016

### 11.5 Madrid Applications accepted for registration

The following are the marks whose international registration has been notified to Kenya as a designated contracting Party by the International Bureau, World Intellectual Property Organization (WIPO) and which are governed by the Madrid Agreement and the Madrid Protocol. The prescribed period of twelve (12) months and eighteen months (18) respectively for refusal of the marks commences from the notification date indicated herein for each mark.

**NOTICE** is given that any person who has grounds of opposition to the registration of any of the marks may, in accordance with the provisions of rule 11(1) of the Trade Marks (International Registration) Rules 2003, file a notice of opposition within sixty (60) days from the date of this Journal on form TM. No. 6 (in duplicate) together with a fee of Ksh 5,000/= (Kenyan residents) or US\$ 250 (non residents).

The period of filing the notice of opposition may be extended by the Registrar of Trade Marks as prescribed in the Trade Mark Rules. Any request for such extension should be made to the Registrar before the expiry of the sixty (60) day statutory period.

All the details of the marks advertised herein are available on WIPO's website [www.wipo.int/romarin](http://www.wipo.int/romarin)

(210): 491669 (151): 03/05/2023  
 (511): 6  
 (732): ACO Ahlmann SE & Co. KG of Am Ahlmannkai 24782  
 Büdelsdorf, Germany

**ACO**  


(210): 820178 (151): 21/06/2023  
 (511): 3  
 (732): ECCO SKO A/S of Industrivej 5 DK-6261 Bredebro,  
 Denmark



(210): 907619 (151): 21/09/2017  
 (511): 6, 7 and 20  
 (732): AKO Armaturen & Separationstechnik GmbH of Adam-  
 Opel-Str. 5 65468 Trebur-Astheim, Germany

**PEPPERJACK**

(210): 967577 (151): 15/11/2023  
 (511): 32  
 (732): Treasury Wine Estates Vintners Limited of Level 8, 161  
 Collins Street Melbourne, Victoria 3000, Australia

**IKA**

(210): 979732 (151): 21/08/2023  
 (511): 7  
 (732): IKA-Werke GmbH & Co. KG of Janke und Kunkel Strasse 10  
 79219 Staufen, Germany



(210): 1010052 (151): 09/08/2023  
 (511): 3  
 (732): AQUAVIVA S.R.L. of Via Biagio di Santolino, 11 47891  
 ACQUAVIVA (RSM), San Marino

**WYNNS**

(210): 1096556 (151): 15/11/2023  
 (511): 33  
 (732): Rothbury Wines Pty Ltd of Level 8, 161 Collins Street  
 Melbourne VIC 3000, Australia

**CEDEX**

(210): 1160025 (151): 14/08/2023  
 (511): 9  
 (732): Roche Diagnostics GmbH of Sandhofer Str. 116 68305  
 Mannheim, Germany

**Selectel**

(210): 1191078 (151): 16/05/2023  
 (511): 35  
 (732): "Selectel", Co. Ltd. of Tsvetochnaya ul. 21, liter A RU-  
 196084 Saint-Petersburg, Russian Federation

**ESPRESSO LAB**  
 roasted with passion

(210): 1264418 (151): 18/08/2023  
 (511): 30  
 (732): ESLAB KAHVE GIDA SANAYI VE TICARET ANONIM SIRKETI of  
 Adnan Kahveci Mah. Sumer Cad. No:3 Beylikduzu / Istanbul,  
 Turkey

**CUSTOMBIOTECH**

(210): 1368254 (151): 15/08/2023  
 (511): 1  
 (732): Roche Diagnostics GmbH of Sandhofer Strasse 116 68305  
 Mannheim, Germany



(210): 1383745 (151): 18/10/2023  
 (511): 33  
 (732): LA MARCA VINI E SPUMANTI sca of Via Baite, 14 I-31046  
 ODERZO (TV), Italy

**CONFIDIAN**

(210): 1414607 (151): 06/11/2023  
 (511): 1  
 (732): Roche Diagnostics GmbH of Sandhofer Strasse 116 68305  
 Mannheim, Germany

**BONFIGLIOLI**

(210): 1422118 (151): 23/05/2023  
 (511): 7  
 (732): BONFIGLIOLI S.p.A. of Via Cav. Clementino Bonfiglioli, 1  
 I-40012 CALDERARA DI RENO (BO), Italy

**SQUEALING PIG**

(210): 1432683 (151): 15/11/2023  
 (511): 32  
 (732): Treasury Wine Estates (Matua) Limited of 351 Jacksons  
 Road, RD3 Rapaura Blenheim 7273, New Zealand

(210): 1467599 (151): 12/10/2023 (511): 21 (732): GOURMETTERIA S.R.L. of Piazza dei Signori 17/a TREVISO, Italy	<b>GOURMETTERIA</b>
(210): 1523196 (151): 26/10/2023 (511): 9 (732): Digital Realty Trust, Inc. of Building 1, Suite 275 5707 Southwest Parkway Austin TX 78735, United States of America	<b>PDX</b>
(210): 1525121 (151): 26/10/2023 (511): 9 (732): Digital Realty Trust, Inc. of Building 1, Suite 275 5707 Southwest Parkway Austin TX 78735, United States of America	<b>PLATFORMDIGITAL</b>
(210): 1545978 (151): 18/10/2023 (511): 5 (732): SHENZHEN TECHDOW PHARMACEUTICAL CO., LTD. of No. 1, Rongtian South Road, Kengzi Street, Pingshan New District, Shenzhen, China	<b>Inhixa</b>
(210): 1586637 (151): 03/11/2023 (511): 36 (732): AIRCARBON PTE. LTD. of 180 Kitchener Road, #06-10 City Square Mall Singapore 208539, Singapore	<b>ACX</b>
(210): 1630230 (151): 14/11/2023 (511): 32 (732): CERVEZAS CUAUHTÉMOC MOCTEZUMA, S.A. DE C.V. of Alfonso Reyes Norte Núm. 2202 Bella Vista, Monterrey 64410 Nuevo León, Mexico	
(210): 1635800 (151): 27/10/2023 (511): 1 (732): Yara International ASA of Postboks 343 Skøyen N-0213 OSLO, Norway	<b>YaraSuna</b>
(210): 1642774 (151): 12/07/2023 (511): 3 (732): DR.MARCUS INTERNATIONAL SPÓLKA Z OGRANICZONA ODPOWIEDZIALNOSCIA SPÓLKA KOMANDYTOWA of Aleja Wojska Polskiego 2c PL-62-800 Kalisz, Poland	<b>Dr.Marcus</b>
(210): 1649991 (151): 28/07/2023 (511): 12 (732): Jiangsu General Science Technology Co., Ltd. of Gangxia, Donggang Town, Xishan District, Wuxi City Jiangsu Province, China	
(210): 1666769 (151): 01/11/2023 (511): 41 (732): LEVITA FZCO of Dubai Silicon Oasis, IFZA Properties DSO-FZA-21844, United Arab Emirates	<b>LEVITA</b>
(210): 1669705 (151): 15/04/2022 (511): 9 (732): Honor Device Co., Ltd. of Suite 3401, Unit A, Building 6, Shum Yip Sky Park, No. 8089, Hongli West Road, Xiangmihu Street, Futian District, Shenzhen 518040 Guangdong, China	<b>MagicBook X 14</b>
(210): 1669706 (151): 15/04/2022 (511): 9 (732): Honor Device Co., Ltd. of Suite 3401, Unit A, Building 6, Shum Yip Sky Park, No. 8089, Hongli West Road, Xiangmihu Street, Futian District, Shenzhen 518040 Guangdong, China	<b>MagicBook X 16</b>
(210): 1679504 (151): 24/05/2023 (511): 9 (732): ORTEA S.P.A. of Viale Luigi Majno 10 I-20129 MILANO (MI), Italy	

(210): 1688209 (151): 11/11/2023 (511): 36 (732): IoMarkets UG (haftungsbeschränkt) of Weningstrasse 8 94405 Landau, Germany	<b>IoMarkets</b>
(210): 1697001 (151): 25/09/2023 (511): 3 (732): SKIN 1004 Co., Ltd. of 4th Floor, 8, Teheran-ro 2-gil, Gangnam-gu Seoul, Republic of Korea	<b>SKIN1004</b>
(210): 1697561 (151): 13/07/2023 (511): 3 (732): CAREX BITKISEL ÜRÜNLER VE KOZMETİK SANAYİ TICARET LIMITED SİRKETİ of FATİH SULTAN MEHMET MAH. POLİGON CAD. 8 B 33 Ümraniye İstanbul, Turkey	<b>CELENES</b>
(210): 1712266 (151): 16/11/2023 (511): 3 (732): Moonbug Entertainment Limited of Labs Upper Lock, 2nd floor 3-6 Water Lane, Camden Town London NW1 8JZ, United Kingdom	<b>COCOMELON</b>
(210): 1715790 (151): 26/01/2023 (511): 9 (732): The Christian Broadcasting Network, Inc. of 977 Centerville Turnpike Virginia Beach VA 23463, United States of America	<b>miracle living today</b>
(210): 1716062 (151): 11/10/2023 (511): 34 (732): Philip Morris Products S.A. of Quai Jeanrenaud 3 CH-2000 Neuchâtel, Switzerland	<b>LEVIA</b>
(210): 1716125 (151): 27/01/2023 (511): 9 (732): Acumatica, Inc. of 3933 Lake Washington Blvd NE #350 Kirkland WA 98033, United States of America	
(210): 1717371 (151): 27/01/2023 (511): 9 (732): Becton, Dickinson and Company of 1 Becton Drive Franklin Lakes NJ 07417, United States of America	<b>SPECTRALFX</b>
(210): 1717647 (151): 26/01/2023 (511): 12 (732): TOYOTA JIDOSHA KABUSHIKI KAISHA (also trading as TOYOTA MOTOR CORPORATION) of 1, Toyota-cho, Toyota-shi Aichi-ken 471-8571, Japan	<b>BZ3C</b>
(210): 1717648 (151): 26/01/2023 (511): 12 (732): TOYOTA JIDOSHA KABUSHIKI KAISHA (also trading as TOYOTA MOTOR CORPORATION) of 1, Toyota-cho, Toyota-shi Aichi-ken 471-8571, Japan	<b>BZ4C</b>
(210): 1719709 (151): 27/01/2023 (511): 33 (732): CASTEL FRERES of 24 rue Georges Guynemer F-33290 BLANQUEFORT, France	
(210): 1719772 (151): 31/10/2023 (511): 9 (732): QUAN ZHOU KAI LI ELECTRONICS CO., LTD of Optoelectronic Information Industry Base, Xiamei Town, Nanan City 362300 Fujian Province, China	
(210): 1722451 (151): 23/02/2023 (511): 36 (732): Axi Financial Services (UK) Limited of 1 Finsbury Market, Finsbury Market London EC2A 2BN, United Kingdom	<b>AXICORP</b>

<p>(210): 1724117 (151): 31/10/2023  (511): 9  (732): QUAN ZHOU KAI LI ELECTRONICS CO., LTD of  Optoelectronic Information Industry Base, Xiamei Town, Nanan  City 362300 Fujian Province, China</p>	
<p>(210): 1725821 (151): 11/10/2023  (511): 34  (732): Philip Morris Products S.A. of Quai Jeanrenaud 3 CH-2000  Neuchâtel, Switzerland</p>	
<p>(210): 1727261 (151): 26/05/2023  (511): 9  (732): Gazer Limited of 17 Hanover Square London W1S 1BN,  United Kingdom</p>	
<p>(210): 1728273 (151): 06/03/2023  (511): 2  (732): SUZHOU KINGSWOOD EDUCATION TECHNOLOGY CO., LTD.  of No. 989 Chunshen Road, Huangdai Town, Xiangcheng District,  Suzhou City Jiangsu Province, China</p>	
<p>(210): 1728326 (151): 09/03/2023  (511): 9  (732): HUAWEI TECHNOLOGIES CO., LTD. of Administration  Building Huawei Technologies Co., Ltd., Bantian, Longgang  District Shenzhen, China</p>	
<p>(210): 1728344 (151): 06/03/2023  (511): 2  (732): SUZHOU KINGSWOOD EDUCATION TECHNOLOGY CO., LTD.  of No. 989 Chunshen Road, Huangdai Town, Xiangcheng District,  Suzhou City Jiangsu Province, China</p>	
<p>(210): 1728432 (151): 06/03/2023  (511): 2  (732): SUZHOU KINGSWOOD EDUCATION TECHNOLOGY CO., LTD.  of No.989 Chunshen Road, Huangdai Town, Xiangcheng District,  Suzhou City Jiangsu Province, China</p>	
<p>(210): 1728637 (151): 08/03/2023  (511): 12  (732): ANHUI COOL BABY SCIENCE &amp; TECHNOLOGY  DEVELOPMENT CORPORATION. of North Industry Park, Jin'an  Zone, Lu'an City 237000 Anhui Province, China</p>	
<p>(210): 1728677 (151): 08/03/2023  (511): 1  (732): Chemetall GmbH of Trakehner Str. 3 60487 Frankfurt am  Main, Germany</p>	
<p>(210): 1728682 (151): 07/03/2023  (511): 3  (732): GUANGZHOU LIVEPRO BEAUTY COSMETICS CO., LTD. of  NO. 5, Industrial Avenue, DongHua Industrial District, RenHe  Town, Baiyun District, Guangzhou Guangdong Province, China</p>	
<p>(210): 1728741 (151): 03/03/2023  (511): 7  (732): PR INDUSTRIAL S.R.L. of LOCALITA IL PIANO SNC I-53031  CASOLE D'ELSA, SIENA, Italy</p>	
<p>(210): 1729385 (151): 03/03/2023  (511): 16  (732): BOSTIK SA of 420 rue d'Estienne d'Orves F-92700  Colombes, France</p>	



(210): 1729859 (151): 09/03/2023  
(511): 5  
(732): PT MEDION FARMA JAYA of JL. BABAKAN CIPARAY NO. 282,  
BANDUNG, Kota Bandung Jawa Barat 40223, Indonesia



(210): 1729860 (151): 09/03/2023  
(511): 5  
(732): PT MEDION FARMA JAYA of JL. BABAKAN CIPARAY NO. 282,  
BANDUNG, Kota Bandung Jawa Barat 40223, Indonesia



(210): 1730315 (151): 09/03/2023  
(511): 34  
(732): VENUS MANAGEMENT PTE. LTD. of 111 NORTH BRIDGE  
ROAD, #21-03 PENINSULA PLAZA SINGAPORE 179098, Singapore



(210): 1730316 (151): 09/03/2023  
(511): 34  
(732): VENUS MANAGEMENT PTE. LTD. of 111 NORTH BRIDGE  
ROAD, #21-03 PENINSULA PLAZA SINGAPORE 179098, Singapore



(210): 1731504 (151): 03/03/2023  
(511): 8  
(732): Ningbo Unibono Appliance Co., Ltd. of Southern, Second  
floor, NO. 2 Building, #29 Xinyi Road, Daxie Development Zone,  
Ningbo Zhejiang, China



(210): 1731640 (151): 09/03/2023  
(511): 12  
(732): ZHEJIANG CFMOTO POWER CO., LTD. of No.116, Wuzhou  
Road, Yuhang Economic Development Zone, Hangzhou 311100  
Zhejiang, China



(210): 1731662 (151): 09/03/2023  
(511): 7  
(732): XINGTAI SHANFENG SPECIAL RUBBER PRODUCT LTD of No.  
99 Xingde Road, Hetou Community, Ren Ze Economic  
Development Zone, Xingtai City Hebei Province, China

**DEDE**

(210): 1731711 (151): 02/03/2023  
(511): 9  
(732): ZhouChunhua of Puzai Formation, Qinghu Village,  
Lingmen Town, Dianbai County Guangdong Province, China

**BEWA**

(210): 1731912 (151): 08/03/2023  
(511): 12  
(732): ZHUHAI GUANGTONG AUTOMOBILE CO., LTD. of Area A,  
Plant No. 1, No. 16, Jinhua Road, Sanzao Town, Jinwan District,  
Zhuhai City Guangdong, China



**TASMAN**

(210): 1732238 (151): 02/05/2023  
(511): 12  
(732): Kia Corporation of 12, Heolleung-ro, Seocho-gu Seoul  
06797, Republic of Korea

**CONSCIOUS PLANET**

(210): 1732401 (151): 01/05/2023  
(511): 41  
(732): ISHA FOUNDATION, INC. of 951 Isha Lane McMinnville TN  
37110, United States of America



(210): 1732402 (151): 01/05/2023  
(511): 41  
(732): ISHA FOUNDATION, INC. of 951 Isha Lane McMinnville TN  
37110, United States of America

(210): 1732715 (151): 27/04/2023  
(511): 29  
(732): Share marketing-trading-logistik GmbH of Mondscheinweg  
9 A-8072 Fernitz-Mellach, Austria

**Share**

(210): 1733493 (151): 27/04/2023  
(511): 9  
(732): ORTEA S.P.A. of Viale Luigi Majno 10 I-20129 MILANO (MI), Italy



(210): 1733857 (151): 27/04/2023  
(511): 14  
(732): ROLEX SA of 3-5-7 rue François-Dussaud CH-1211 Genève 26, Switzerland



**ROLEX CERTIFIED  
PRE-OWNED**

(210): 1734277 (151): 27/04/2023  
(511): 14  
(732): ROLEX SA of 3-5-7 rue François-Dussaud CH-1211 Genève 26, Switzerland

(210): 1734293 (151): 16/01/2023  
(511): 9  
(732): Euro Games Technology Ltd. of "Maritsa" Str. 4, "Vranya-Lozen-Triugulnika" BG-1151 Sofia, Bulgaria

**Desert Wealth**

(210): 1734898 (151): 27/04/2023  
(511): 14  
(732): ROLEX SA of 3-5-7, rue François-Dussaud CH-1211 GENEVE 26, Switzerland



(210): 1735292 (151): 10/01/2023  
(511): 1  
(732): Brenntag Holding GmbH of Messeallee 11 45131 Essen, Germany



(210): 1735408 (151): 27/01/2023  
(511): 35  
(732): Bechtel Group, Inc. of 12011 Sunset Hills Road Reston VA 20190, United States of America



(210): 1735860 (151): 16/01/2023  
(511): 9  
(732): Euro Games Technology Ltd. of 4, "Maritsa" Str., "Vranya-Lozen-Triugulnika" BG-1151 Sofia, Bulgaria

**Flaming Diamonds**

(210): 1736050 (151): 10/01/2023  
(511): 3  
(732): Wuxi Little Swan Electric Co., Ltd. of No. 18, South Changjiang Road, New District, Wuxi 214028 Jiangsu, China



(210): 1737046 (151): 10/01/2023  
(511): 1  
(732): Brenntag Holding GmbH of Messeallee 11 45131 Essen, Germany



(210): 1737246 (151): 16/01/2023  
(511): 9  
(732): Euro Games Technology Ltd. of "Maritsa" Str. 4, "Vranya-Lozen-Triugulnika" BG-1151 Sofia, Bulgaria

**Supreme Combo Link**

(210): 1737253 (151): 10/05/2023  
(511): 1  
(732): Castrol Limited of Technology Centre, Whitchurch Hill, Pangbourne Reading RG8 7QR, United Kingdom



(210): 1739737 (151): 24/05/2023  
 (511): 41  
 (732): Trinity Western University of 22500 University Drive  
 Langley BC V2Y 1Y1, Canada



(210): 1740345 (151): 22/02/2023  
 (511): 29  
 (732): Adani Wilmar Limited of Fortune House, Near  
 Navrangpura Railway Crossing, Ahmedabad Gujarat 380009, India

**Fryola**

(210): 1741537 (151): 12/05/2023  
 (511): 12  
 (732): Shandong Haohua Tire Co., Ltd of Dadi Road West, Xinhai  
 Road North, Hou zhen Industry Zone, Shouguang City, Weifang  
 City 262700 Shandong Province, China

**A PLUS**

(210): 1741541 (151): 16/05/2023  
 (511): 12  
 (732): QINGDAO HAWKWAY TYRE CO., LTD. of Room 1066, 1/F,  
 East Office Building, No. 45, Beijing Road, Qianwan Bonded Port  
 Area, Qingdao Area (Shandong) Pilot Free Trade Zone, China

**Marando**

(210): 1741607 (151): 25/05/2023  
 (511): 35  
 (732): AOSHENG INDUSTRIAL COMPANY PTE. LTD of 60 PAYA  
 LEBAR ROAD, #12-03 PAYA LEBAR SQUARE SINGAPORE 409051,  
 Singapore

**McDodo**

(210): 1742868 (151): 22/05/2023  
 (511): 12  
 (732): ARB Corporation Limited of 42/44 Garden Street KILSYTH  
 VIC 3137, Australia



(210): 1747040 (151): 13/06/2023  
 (511): 42  
 (732): Apple Inc. of One Apple Park Way Cupertino CA 95014,  
 United States of America

**APPLE IMMERSIVE  
 VIDEO**

(210): 1748283 (151): 24/05/2023  
 (511): 9  
 (732): International Business Machines Corporation of New  
 Orchard Road Armonk NY 10504, United States of America

**IBM QUANTUM**

(210): 1749481 (151): 31/07/2023  
 (511): 9  
 (732): Apple Inc. of One Apple Park Way Cupertino CA 95014,  
 United States of America

**EYESIGHT**

(210): 1749723 (151): 25/06/2023  
 (511): 9  
 (732): Honor Device Co., Ltd. of Suite 3401, Unit A, Building 6,  
 Shum Yip Sky Park, No. 8089, Hongli West Road, Xiangmihu  
 Street, Futian District, Shenzhen 518040 Guangdong, China

**HONOR Wallet**

(210): 1749727 (151): 14/08/2023  
 (511): 10  
 (732): FMW Technology Consulting GmbH of Mühlenberg 2 25355  
 Barmstedt, Germany

**SAFEJECT**

(210): 1749746 (151): 24/07/2023  
 (511): 9  
 (732): Beats Electronics, LLC of 8600 Hayden Place Culver City  
 CA 90232, United States of America

**BEATS STUDIO PRO**

(210): 1750162 (151): 11/07/2023  
(511): 1  
(732): Anglo American Woodsmith Limited of 17 Charterhouse Street London EC1N 6RA, United Kingdom



**SEFA**

(210): 1750163 (151): 11/07/2023  
(511): 1  
(732): Anglo American Woodsmith Limited of 17 Charterhouse Street London EC1N 6RA, United Kingdom



(210): 1750166 (151): 11/07/2023  
(511): 1  
(732): Anglo American Woodsmith Limited of 17 Charterhouse Street London EC1N 6RA, United Kingdom



(210): 1750167 (151): 11/07/2023  
(511): 1  
(732): Anglo American Woodsmith Limited of 17 Charterhouse Street London EC1N 6RA, United Kingdom

(210): 1750168 (151): 11/07/2023  
(511): 1  
(732): Anglo American Woodsmith Limited of 17 Charterhouse Street London EC1N 6RA, United Kingdom

**POLY4**

(210): 1751169 (151): 16/08/2023  
(511): 33  
(732): Jack Daniel's Properties, Inc. of 4040 Civic Center Drive, Suite 528 San Rafael CA 94903, United States of America



(210): 1751282 (151): 12/07/2023  
(511): 1  
(732): OCI N.V. of Honthorststraat 19 NL-1071 DC Amsterdam, Netherlands



(210): 1751639 (151): 12/07/2023  
(511): 1  
(732): OCI N.V. of Honthorststraat 19 NL-1071 DC Amsterdam, Netherlands

**OCI**

(210): 1752427 (151): 07/07/2023  
(511): 12  
(732): Fujian Jinjiang Yinglin Jin Jiang Plastic & Metal-Press Co.,Ltd of Jinjiang Village, Yinglin Town, Jinjiang City 362256 Fujian Province, China

**NUVO-PRO**

(210): 1753862 (151): 12/07/2023  
(511): 33  
(732): NOBLEWOOD LIMITED of Arch. Makariou III, 206, CHRYSALIA COURT, 5th Floor CY-3030 Limassol, Cyprus



(210): 1754449 (151): 12/07/2023  
(511): 1  
(732): OCI N.V. of Honthorststraat 19 NL-1071 DC Amsterdam, Netherlands



(210): 1755176 (151): 03/08/2023  
(511): 3  
(732): ZHEJIANG AIRSUN COMMODITY CO.,LTD. of No. 38 Juxian Road, Shangxi Town, Yiwu City 322000 Zhejiang Province, China

**AirSun Doctor**

(210): 1755617 (151): 02/08/2023

(511): 12

(732): QINGDAO SICURO TYRE CO.,LTD. of 2022-2524 (A), 1st Floor, East Office Building, No. 45 Beijing Road, Qianwan Port Bonded Port Area of Qingdao Area, Pilot Free Trade Zone(Shandong) 266555 Qingdao City, China

Sicuro

(210): 1756113 (151): 09/11/2023

(511): 21

(732): m2 Kaffeemanufaktur und Vertriebsges.m.b.H. of Lehargasse 7 A-1060 Wien, Austria



**BIEDER  
& MAIER**  
VIENNA COFFEE

(210): 1756114 (151): 01/08/2023

(511): 3

(732): Yu Min of Storefront H3-26077, Connector, 3 Floor, District 3, International Trade City, Yiwu City 322000 Zhejiang Province, China

Magic Moon

— SINCE1986 —

(210): 1756487 (151): 31/07/2023

(511): 28

(732): GuangZhou Trendy Sound Limited of (Part: Floor 3 F) Room 106, Hall 7, No. 117, Liuhua Road, Yuexiu District, Guangzhou City 510170 Guangdong Province, China



(210): 1756508 (151): 22/08/2023

(511): 14

(732): ROLEX SA of 3-5-7, rue François-Dussaud CH-1211 GENEVE 26, Switzerland

**FOR THIS IS ALL WE  
MAKE. BUT WE MAKE  
IT ALL**

(210): 1756828 (151): 09/08/2023

(511): 5

(732): Bayer Consumer Care AG of Peter Merian-Strasse 84 CH-4052 Basel, Switzerland



(210): 1756852 (151): 04/08/2023

(511): 16

(732): LZ STATIONERY CO., LTD. of No. 315 Qianfang Avenue, Pujiang County, Jinhua City 322299 Zhejiang Province, China



(210): 1756911 (151): 03/08/2023

(511): 36

(732): Porticus Amsterdam C.V. of Jachthavenweg 111 NL-1081 KM Amsterdam, Netherlands



(210): 1756975 (151): 11/07/2023

(511): 1

(732): Anglo American Woodsmith Limited of 17 Charterhouse Street London EC1N 6RA, United Kingdom

 **POLY4**

(210): 1758590 (151): 07/06/2023

(511): 9

(732): Euro Games Technology Ltd. of 4, "Maritsa" Str., "Vranya-Lozen-Triugulnika" BG-1151 Sofia, Bulgaria

 **VERSAILLES GOLD**



(210): 1758672 (151): 12/07/2023  
(511): 30  
(732): Leontina Mehmeti of Ul.Rokomija br.21/B 1000 Skopje,  
The former Yugoslav Republic of Macedonia



(210): 1758678 (151): 19/09/2023  
(511): 35  
(732): 001 DEL LLC of 767 FIFTH AVENUE NEW YORK NY 10153,  
United States of America

**TOM FORD**

(210): 1758736 (151): 07/06/2023  
(511): 9  
(732): Euro Games Technology Ltd. of "Maritsa" Str. 4, "Vranya-  
Lozen-Triugulnika" BG-1151 Sofia, Bulgaria



(210): 1758754 (151): 15/06/2023  
(511): 6  
(732): JIANGSU CHANG BAO STEEL TUBE LIMITED CO. of No. 558,  
Yanling Dong Road, Changzhou City 213000 Jiangsu Province,  
China

**常宝**  
CHANGBAO

(210): 1758768 (151): 26/09/2023  
(511): 18  
(732): Deichmann SE of Deichmannweg 9 45359 Essen, Germany

**MPH**  
**ONE**

(210): 1758780 (151): 02/10/2023  
(511): 3  
(732): Beiersdorf AG of Unnastr. 48 20253 Hamburg, Germany

**AGE CLOCK**

(210): 1758822 (151): 21/09/2023  
(511): 12  
(732): SUBARU CORPORATION of 1-20-8, Ebisu, Shibuya-ku Tokyo  
150-8554, Japan

**WILDERNESS**

(210): 1758899 (151): 26/09/2023  
(511): 11  
(732): Avnos, Inc. of 6060 Center Drive, Floor 10 Los Angeles CA  
90045, United States of America



(210): 1758900 (151): 26/09/2023  
(511): 11  
(732): Avnos, Inc. of 6060 Center Drive, Floor 10 Los Angeles CA  
90045, United States of America

**AVNOS**

(210): 1758927 (151): 26/05/2023  
(511): 9  
(732): OnePlus Technology (Shenzhen) Co., Ltd. of 18C02,  
18C03, 18C04, and 18C05, Shum Yip Terra Building, Binhe  
Avenue North, Futian District, Shenzhen Guangdong, China

**Never Settle**

(210): 1758928 (151): 07/06/2023  
(511): 9  
(732): Euro Games Technology Ltd. of 4, "Maritsa" Str., "Vranya-  
Lozen-Triugulnika" BG-1151 Sofia, Bulgaria



(210): 1758959 (151): 16/08/2023  
 (511): 32  
 (732): AQUA NRG INVESTMENTS LIMITED of Lampousas, 1 CY-1095 Nicosia, Cyprus



**SHAKE**

**Yara EASYFEED**

(210): 1759013 (151): 26/04/2023  
 (511): 1  
 (732): Yara Nederland B.V. of Industrieweg 10 NL-4541 HJ Sluiskil, Netherlands

(210): 1759042 (151): 06/07/2023  
 (511): 35

(732): International Biocontrol Manufacturers Association of Rue de Trèves 61 B-1040 Bruxelles, Belgium



**KELLANOVA**

(210): 1759069 (151): 08/08/2023  
 (511): 29

(732): Kellogg Company of One Kellogg Square Battle Creek MI 49016, United States of America

(210): 1759294 (151): 05/01/2023  
 (511): 5

(732): Hangzhou Sejoy Electronics & Instruments Co., Ltd. of Area C, Building 2, No. 365, Wuzhou Road, Yuhang Economic Development Zone, Linping District, Hangzhou City Zhejiang, China



(210): 1759429 (151): 07/06/2023  
 (511): 9

(732): Euro Games Technology Ltd. of 4, "Maritsa" Str., "Vranya-Lozen-Triugulnika" BG-1151 Sofia, Bulgaria



(210): 1759482 (151): 30/06/2023  
 (511): 9

(732): KNDS N.V. of Gustav Mahlerlaan 1017 NL-1082 MK Amsterdam, Netherlands



(210): 1759647 (151): 03/07/2023  
 (511): 29

(732): DAESANG Corporation of 120, Changgyeonggung-ro, Jongno-gu Seoul, Republic of Korea



(210): 1759724 (151): 06/09/2023  
 (511): 5

(732): Andermatt Group AG of Stahlermatten 6 Grossdietwil CH-6146, Switzerland

**AQ-PROTEC**

(210): 1759740 (151): 07/07/2023  
 (511): 10

(732): Pradeep Bhatia of H No. 3d-134 New Industrial Township, Faridabad Haryana 121001, India

**PRYMAX**

(210): 1759795 (151): 15/09/2023  
 (511): 12

(732): Hitachi Astemo, Ltd. of 2520 Takaba, Hitachinaka-shi Ibaraki 312-8503, Japan



(210): 1759848 (151): 26/09/2023  
 (511): 5

(732): BIOBEST GROUP NV of Ilse Velden 18 B-2260 Westerlo, Belgium

**MUMMINET**

<p>(210): 1759865 (151): 18/08/2023  (511): 3  (732): Holinvest of 5, avenue de la Princesse Lalla Meryem, Souissi Rabat, Morocco</p>	<p><b>Sol.ère</b></p>
<p>(210): 1759866 (151): 18/08/2023  (511): 3  (732): Holinvest of 5, avenue de la Princesse Lalla Meryem, Souissi Rabat, Morocco</p>	<p><b>Monde premier</b></p>
<p>(210): 1759867 (151): 18/08/2023  (511): 3  (732): Holinvest of 5, avenue de la Princesse Lalla Meryem, Souissi Rabat, Morocco</p>	<p><b>Tanja-Dakar</b></p>
<p>(210): 1759881 (151): 06/09/2023  (511): 12  (732): KG Mobility Corp. of 455-12, Dongsak-ro, Pyeongtaek-si Gyeonggi-do, Republic of Korea</p>	
<p>(210): 1759940 (151): 16/06/2023  (511): 9  (732): ÜNSAL YAPI VE DAYANIKLI TÜKETİM MALLARI SANAYİ TICARET ANONİM ŞİRKETİ of BASAKSEHIR MAH. HÜRRİYET BLV. 119 3/BASAKSEHIR/ISTANBUL, Turkey</p>	<p><b>weston</b></p>
<p>(210): 1760023 (151): 19/07/2023  (511): 3  (732): Skins Cosmetics B.V. of Pletterij 3-5 NL-1185 ZK Amstelveen, Netherlands</p>	
<p>(210): 1760024 (151): 19/07/2023  (511): 3  (732): Skins Cosmetics B.V. of Pletterij 3-5 NL-1185 ZK Amstelveen, Netherlands</p>	 <p>S K I N S</p>
<p>(210): 1760073 (151): 06/09/2023  (511): 41  (732): Law Insider, Inc. of 638 8th Ave Kirkland WA 98033, United States of America</p>	<p><b>LAW INSIDER</b></p>
<p>(210): 1760095 (151): 18/09/2023  (511): 1  (732): PIDILITE INDUSTRIES LIMITED of Regent Chambers, 7th Floor, Jamnalal Bajaj Marg, 208, Nariman Point Mumbai 400021, India</p>	
<p>(210): 1760132 (151): 06/09/2023  (511): 12  (732): KG Mobility Corp. of 455-12, Dongsak-ro, Pyeongtaek-si Gyeonggi-do, Republic of Korea</p>	<p><b>KGMobility</b></p>
<p>(210): 1760187 (151): 16/08/2023  (511): 35  (732): Six Continents Limited of 1 Windsor Dials, Arthur Road Windsor, Berkshire SL4 1RS, United Kingdom</p>	<p><b>Garner</b>  AN IHG HOTEL</p>
<p>(210): 1760193 (151): 09/10/2023  (511): 14  (732): Apple Inc. of One Apple Park Way Cupertino CA 95014, United States of America</p>	<p> Carbon Neutral</p>

(210): 1760195 (151): 03/10/2023 (511): 9 (732): HMD Global Oy of Bertel Jungin aukio 9 FI-02600 ESPOO, Finland	<b>HMD</b>
(210): 1760227 (151): 02/02/2023 (511): 3 (732): Beijing New Oriental Xuncheng Network Technology Co., Ltd of Room 1801-08, Floor 18, No. 2, Haidian East Third Street, Haidian District Beijing, China	<b>East Buy</b>
(210): 1760228 (151): 07/08/2023 (511): 19 (732): MONALISA GROUP CO., LTD. of Xiqiao Textile Industrial Zone, Nanhai District, Foshan City 528211 Guangdong, China	
(210): 1760229 (151): 08/08/2023 (511): 19 (732): MONALISA GROUP CO., LTD. of Xiqiao Textile Industrial Zone, Nanhai District, Foshan City 528211 Guangdong, China	
(210): 1760270 (151): 18/07/2023 (511): 5 (732): Qiaoling Wang of No.303, Gate 1, Building 1, Lingfengli, Xihu Road, Nankai District, 300193 Tianjin, China	<b>OIMMAL</b>
(210): 1760305 (151): 03/10/2023 (511): 9 (732): HMD Global Oy of Bertel Jungin aukio 9 FI-02600 ESPOO, Finland	<b>HMD</b>
(210): 1760358 (151): 12/10/2023 (511): 7 (732): LA MARZOCCO S.r.l. of Via La Torre 14/H I-50038 SCARPERIA E SAN PIERO, Italy	<b>La Marzocco Pico Grinder</b>
(210): 1760359 (151): 12/10/2023 (511): 7 (732): LA MARZOCCO S.r.l. of Via La Torre 14/H I-50038 SCARPERIA E SAN PIERO, Italy	<b>La Marzocco Nano Grinder</b>
(210): 1760372 (151): 12/09/2023 (511): 19 (732): PKF Global B.V. of Weena 290, 10th Floor NL-3012 NJ Rotterdam, Netherlands	
(210): 1760374 (151): 09/10/2023 (511): 4 (732): Haferd Petroleum Energy (GuangDong) Co., Ltd. of Dalingshan Lianping Cun Panshan Industrial Area, Dongguan 523820 Guangdong, China	<b>HAFERD</b>
(210): 1760427 (151): 06/09/2023 (511): 7 (732): HANGZHOU HANTOO ENTERPRISES CO., LTD. of Building 4, No. 9 8th Xiyuan Road, Sandun Town, Xihu District, Hangzhou 310000 Zhejiang, China	<b>UYUSTOOLS</b>
(210): 1760449 (151): 15/08/2023 (511): 35 (732): Guangzhou Xinhua Communications Technology Co., Ltd. of Room 202, Floor 2, No. 67-73, Xidi Second Road, Liwan District, Guangzhou City Guangdong Province, China	<b>Keepione</b>
(210): 1760457 (151): 30/05/2023 (511): 9 (732): Euro Games Technology Ltd. of 4, "Maritsa" Str., "Vranya-Lozen-Triugulnika" BG-1151 Sofia, Bulgaria	<b>BURNING ICE</b>

(210): 1760533 (151): 12/10/2023  
(511): 9  
(732): Fujian Beifeng Telecom Technology Co., Ltd. of A-15 Huaqiao Economic Development Zone, Shuangyang, Luojiang, Quanzhou Fujian, China

**Belfone**


(210): 1760559 (151): 26/01/2023  
(511): 16  
(732): The Christian Broadcasting Network, Inc. of 977 Centerville Turnpike Virginia Beach VA 23463, United States of America

**miracle living today**

(210): 1760626 (151): 06/09/2023  
(511): 7  
(732): LIN XIAN LI of Flat 12 Room 502, Zhonghai Jinshawan East Area, No. 1 Huangqi Jianshe Avenue, Dali Town, Nanhai District, Foshan City Guangdong Province, China

**BAWO**  
霸王沃

(210): 1760738 (151): 26/09/2023  
(511): 3  
(732): SARAYA Co., Ltd. of 2-2-8 Yuzato, Higashisumiyoshi-ku, Osaka-shi Osaka 546-0013, Japan

  
**HAPPY ELEPHANT**  
clinitouch

(210): 1760774 (151): 28/09/2023  
(511): 9  
(732): Spirit Digital Ltd of Spirit House, Saffron Way LeicesterLE2 6UP, United Kingdom



(210): 1760801 (151): 12/07/2023  
(511): 9  
(732): Kooapps LLC of 15015 Main Street, Suite 200 Bellevue WA 98007, United States of America

**SNAKE.IO**

(210): 1760861 (151): 28/07/2023  
(511): 18  
(732): Apple Inc. of One Apple Park Way Cupertino CA 95014, United States of America

**APPLE VISION PRO**

(210): 1761056 (151): 21/06/2023  
(511): 20  
(732): FORTLEV INDÚSTRIA E COMÉRCIO DE PLÁSTICOS LTDA of VIA AXIAL, S/N - POLO PETROQUÍMICO 42810-420 Camaçari, Brazil

**FORTLEV**

(210): 1761062 (151): 16/05/2023  
(511): 6  
(732): GUANGDONG HYH HARDWARE INDUSTRIAL CO., LTD of No. 1 Dongsan Road, Xinlian Industrial Area, Lishui Town, Nanhai, Foshan Guangdong, China



(210): 1761067 (151): 11/09/2023  
(511): 35  
(732): B Lab Company of Ten Penn Center, 1801 Market Street Philadelphia PA 19103, United States of America

**B CORP**







(210): 1761086 (151): 18/09/2023  
(511): 34  
(732): Davidoff & Cie SA of Rue de Rive 2 CH-1200 Genève, Switzerland



(210): 1761167 (151): 11/09/2023  
(511): 35  
(732): B Lab Company of Ten Penn Center, 1801 Market Street Suite 2670 Philadelphia PA 19103, United States of America

**B LEADERS**



<p>(210): 1761256 (151): 24/04/2023  (511): 7  (732): CHONGQING AMITY MACHINERY CO., LTD. of 28-5# No. 200 Zhongshan 2 Road, Yuzhong District 400014 Chongqing, China</p>	<p><b>JADEVER</b></p>
<p>(210): 1761410 (151): 13/10/2023  (511): 3  (732): Wingate Corporation Co., Ltd. of 450/10 Rama 3 Road, Bang Khlo Sub-district 10120 Bang Kho Laem District, Bangkok, Thailand</p>	<p>Prairie Berry </p>
<p>(210): 1761456 (151): 16/05/2023  (511): 6  (732): GUANGDONG HYH HARDWARE INDUSTRIAL CO., LTD of No. 1 Dongsan Road, Xinlian Industrial Area, Lishui Town, Nanhai, Foshan Guangdong, China</p>	<p><b>WINFREE</b></p>
<p>(210): 1761485 (151): 11/08/2023  (511): 9  (732): SHENZHEN BLUEO INNOVATION TECHNOLOGY CO., LTD. of Room 0605, Building 1, Vanke Hong Square Building, Luogang Community, Buji Sub-district, Longgang District Shenzhen, China</p>	
<p>(210): 1761606 (151): 26/09/2023  (511): 9  (732): Apple Inc. of One Apple Park Way Cupertino CA 95014, United States of America</p>	
<p>(210): 1761731 (151): 17/10/2023  (511): 35  (732): BUILDEEZY PTE. LTD. of 55T JALAN LIM TAI SEE, ESTRIVILLAS SINGAPORE 266241, Singapore</p>	
<p>(210): 1761752 (151): 18/09/2023  (511): 9  (732): CHAMP Cargosystems S.A. of Lux Tech Center building 2, rue Edmond Reuter Zone d'Activités "Weiergewan" L-5326 Contern, Luxembourg</p>	
<p>(210): 1761869 (151): 04/10/2023  (511): 3  (732): COMPTOIR NOUVEAU DE LA PARFUMERIE of 23 rue Boissy d'Anglas F-75008 PARIS, France</p>	<p><b>BARENIA</b></p>
<p>(210): 1761941 (151): 20/07/2023  (511): 14  (732): Comité International Olympique of Château de Vidy CH-1007 Lausanne, Switzerland</p>	<p><b>LA28</b></p>
<p>(210): 1761962 (151): 13/09/2023  (511): 33  (732): AQUA NRG INVESTMENTS LIMITED of Lampousas, 1 CY-1095 Nicosia, Cyprus</p>	
<p>(210): 1761977 (151): 13/09/2023  (511): 9  (732): Tamás Varga; Wenjian Wu of Leisibüelstrasse 125 CH-8708 Männedorf, Switzerland; Leisibüelstrasse 125 CH-8708 Männedorf, Switzerland</p>	<p><b>Niel's Chess</b></p>

(210): 1761979 (151): 25/09/2023  
(511): 34  
(732): Davidoff & Cie SA of rue de Rive 2 CH-1200 Genève, Switzerland



(210): 1761982 (151): 31/03/2023  
(511): 1  
(732): Sandvik AB of Box 510 SE-101 30 Stockholm, Sweden

**SANDVIK COROMANT**

(210): 1762135 (151): 12/06/2023  
(511): 18  
(732): INDUSTRIA DE DISEÑO TEXTIL, S.A. (INDITEX, S.A.) of Avenida de la Diputación, Edificio Inditex, E-15143 Arteixo, A Coruña, Spain



(210): 1762177 (151): 05/04/2023  
(511): 9  
(732): Y4PS Biotechnology Pty Ltd of Unit 54, 95 Rouse Street Port Melbourne VIC 3207, Australia

**ANNAKA**

(210): 1762200 (151): 09/10/2023  
(511): 9  
(732): Fedi, Inc. of Suite 240, PMB 2112, 2028 East Ben White Boulevard Austin TX 78741, United States of America

**FEDI**

(210): 1762266 (151): 16/08/2023  
(511): 5  
(732): AQUA NRG INVESTMENTS LIMITED of Lampousas, 1 CY-1095 Nicosia, Cyprus



(210): 1762283 (151): 10/05/2023  
(511): 9  
(732): Stanworth Development Limited of Kingsway House, Havilland Street St Peter Port GY1 2QE, Guernsey

**JACKPOTCITY**

(210): 1762290 (151): 07/06/2023  
(511): 9  
(732): TEYA SERVICES LTD of Third Floor, 20 Old Bailey London EC4M 7AN, United Kingdom



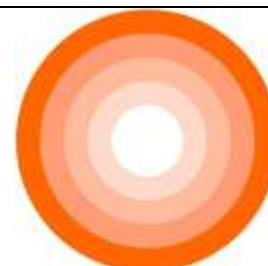
(210): 1762305 (151): 23/05/2023  
(511): 3  
(732): BOBDOG(CHINA) CHILDREN'S ARTICLES CO., LTD. of 14 Building, NO. 389, Lianming Road, Minhang District Shanghai, China

**巴布豆**

(210): 1762316 (151): 14/07/2023  
(511): 25  
(732): Mozilla Foundation of 149 New Montgomery St, 4th Floor SAN FRANCISCO CA 94105, United States of America

**moz://a**

(210): 1762350 (151): 17/07/2023  
(511): 9  
(732): LEDVANCE GmbH of Parkring 29-33 85748 Garching, Germany



(210): 1762382 (151): 15/09/2023  
(511): 43  
(732): HYGGE AIM, Inc. of 2072 Longleaf Circle San Ramon CA 94582, United States of America

**MIHYGGE**

(210): 1762475 (151): 10/05/2023

(511): 9

(732): Stanworth Development Limited of Kingsway House,  
Havilland Street St Peter Port GY1 2QE, Guernsey

**JACKPOTCITY**

(210): 1762530 (151): 29/06/2023

(511): 9

(732): Euro Games Technology Ltd. of 4, "Maritsa" Str., "Vranya-  
Lozen-Triugulnika" BG-1151 Sofia, Bulgaria

**Dazzling Space**

(210): 1762535 (151): 13/09/2023

(511): 1

(732): VAPCO TARIM İLAÇ ÜRETİM PAZARLAMA DAGITIM  
VETERİNERLİK İTHALAT İHRACAT LIMITED SİRKETİ of YASAMKENT  
MAH. 3250 CAD. 6 A 101 Çankaya Ankara, Turkey



 Carbon Neutral

(210): 1762539 (151): 09/10/2023

(511): 9

(732): Apple Inc. of One Apple Park Way Cupertino CA 95014,  
United States of America

(210): 1762660 (151): 16/08/2023

(511): 9

(732): OCR LABS GLOBAL LIMITED of 1st Floor, Healthaid House,  
Marlborough Hill Harrow, Middlesex HA1 1UD, United Kingdom



**ARCHROMA**

(210): 1762709 (151): 21/07/2023

(511): 1

(732): Archroma IP GmbH of Neuhofstrasse 11 CH-4153 Reinach  
BL, Switzerland

(210): 1762736 (151): 28/06/2023

(511): 9

(732): Euro Games Technology Ltd. of 4, "Maritsa" Str., "Vranya-  
Lozen-Triugulnika" BG-1151 Sofia, Bulgaria

**Grande Hot**

(210): 1762758 (151): 04/10/2023

(511): 9

(732): Wilson Electronics, LLC of 3301 E. Deseret Dr. St. George  
UT 84790, United States of America

**we:boost**

(210): 1762827 (151): 07/09/2023

(511): 11

(732): DEHAUSE SARLAU of R.N 9 KM 24 Mediouna CASABLANCA,  
Morocco



**HONOR V Purse**

(210): 1762868 (151): 25/06/2023

(511): 9

(732): Honor Device Co., Ltd. of Suite 3401, Unit A, Building 6,  
Shum Yip Sky Park, No. 8089, Hongli West Road, Xiangmihu  
Street, Futian District, Shenzhen 518040 Guangdong, China

**HONOR Slim**

(210): 1762869 (151): 25/06/2023

(511): 9

(732): Honor Device Co., Ltd. of Suite 3401, Unit A, Building 6,  
Shum Yip Sky Park, No. 8089, Hongli West Road, Xiangmihu  
Street, Futian District, Shenzhen 518040 Guangdong, China

**HONOR V Leaf**

(210): 1762870 (151): 25/06/2023

(511): 9

(732): Honor Device Co., Ltd. of Suite 3401, Unit A, Building 6,  
Shum Yip Sky Park, No. 8089, Hongli West Road, Xiangmihu  
Street, Futian District, Shenzhen 518040 Guangdong, China

(210): 1762925 (151): 13/06/2023

(511): 7

(732): XUZHOU DELONG GUANPAI SHEBEI CO., LTD. of No. 88, Dongfeng Road, Huxi Farm, Pei County, Xuzhou Jiangsu Province, China



(210): 1762945 (151): 08/09/2023

(511): 33

(732): MAISON DELPEUCH-JOYEUX of 2 Chemin des Porches F-16200 Mainxe-Gondeville, France

**DELJOY**

(210): 1762985 (151): 08/09/2023

(511): 10

(732): Tianjin MNCHIP Technologies Co.,Ltd. of F1-4 Section A Workshop, F1-2&4-5 of 3rd section of the office area, F5 of 2nd section of the office area, No, 122 Dongting Road Tianjin TEDA, China

**MNCHIP**

(210): 1763005 (151): 03/10/2023

(511): 9

(732): Apple Inc. of One Apple Park Way Cupertino CA 95014, United States of America

**WEATHERKIT**

(210): 1763010 (151): 28/06/2023

(511): 9

(732): Euro Games Technology Ltd. of 4, "Maritsa" Str., "Vranya-Lozen-Triugulnika" BG-1151 Sofia, Bulgaria

**Syren's Call for Riches**

(210): 1763037 (151): 08/09/2023

(511): 9

(732): SAFILO - Società Azionaria Fabbrica Italiana Lavorazione Occhiali S.p.A. of VII Strada, 15, Zona Industriale I-35129 Padova, Italy



(210): 1763086 (151): 08/09/2023

(511): 5

(732): Zhejiang Orient Gene Biotech Co., Ltd. of No. 3787, East Yangguang Avenue, Dipu Street, Anji Zone, Huzhou City 313300 Zhejiang Province, China



**BETURE**

(210): 1763194 (151): 18/08/2023

(511): 12

(732): BETURE INTERNATIONAL TRADING CO., LTD. of Room A00905 Chengdu International Railway Port Modern Logistics Building, No. 1509 Xiangdao Road, Qingbaijiang Area, Chengdu 610300 China (Sichuan) Pilot, China

(210): 1763205 (151): 18/08/2023

(511): 25

(732): FUJIAN QUANZHOU PEAK SPORTS PRODUCTS CO., LTD. of Room 2201, Peak Headquarters Building, No. 1569 Fenghai Road, Binhai Community, Donghai Street, Fengze District, Quanzhou City Fujian Province, China



**Hycomms**

(210): 1763212 (151): 06/09/2023

(511): 6

(732): Shenzhen Hycomms Communication Co., Ltd. of Room 930, Sanhang Science and Technology Building, Northwestern Polytechnical University, No.45 Nanjiu Road, High-tech Zone, Yuehai Street Nanshan District, Shenzhen, China

(210): 1763227 (151): 27/09/2023

(511): 29

(732): XINJIANG XIAOCHU FOODSTUFF CO., LTD. of Minchang Industrial Park, Daxiqu Town, Changji City Xinjiang, China



(210): 1763285 (151): 21/02/2023  
 (511): 3  
 (732): BERLIN KOZMETIK SANAYI VE TICARET LIMITED SIRKETI of IKITELLI OSB MAH. ISTEKS E1 BLOK SK. ISTEKS SANAYI E1 BLOK 3 BASAKSEHIR ISTANBUL, Turkey



(210): 1763471 (151): 07/06/2023  
 (511): 9  
 (732): Euro Games Technology Ltd. of 4, "Maritsa" Str., "Vranya-Lozen-Triugulnika" BG-1151 Sofia, Bulgaria



(210): 1763504 (151): 12/09/2023  
 (511): 7

**Solarwalker**

(732): Mamibot Manufacturing (Shanghai) Co., Ltd. of NORTH 21TH FLOOR, NO. 1 BUILDING, LN 1040 CAOYANG ROAD, PUTUO DISTRICT 200063 SHANGHAI, China

(210): 1763505 (151): 12/09/2023  
 (511): 7

**Panelwalker**

(732): Mamibot Manufacturing (Shanghai) Co., Ltd. of NORTH 21TH FLOOR, NO. 1 BUILDING, LN 1040 CAOYANG ROAD, PUTUO DISTRICT 200063 SHANGHAI, China

(210): 1763685 (151): 30/06/2023  
 (511): 9

**WEATHER  
UNDERGROUND**

(732): TWC PRODUCT AND TECHNOLOGY, LLC of 300 INTERSTATE NORTH PARKWAY ATLANTA GA 30339, United States of America

(210): 1763718 (151): 11/07/2023  
 (511): 9

**XREAL**

(732): Beijing Unicorn Technology Co., Ltd. of 1201A, 1201B, 1202A, 1202B, 1203A, 1203B, 1204A, 1205A, 1205B, 12th Floor, Building 2, 43 N 3rd Ring W. Rd., Haidian District Beijing, China

(210): 1763796 (151): 07/06/2023  
 (511): 9

**KASHMIRGOLD**

(732): Euro Games Technology Ltd. of "Maritsa" Str. 4, "Vranya-Lozen-Triugulnika" BG-1151 Sofia, Bulgaria

(210): 1763871 (151): 31/05/2023  
 (511): 2

دهانات اوسكار  
Oscar Paints

(732): Paints world Company W.L.L of Madinat Hamad, Block 1203, Road 323, Building 1335 Kingdom of Bahrain, Bahrain

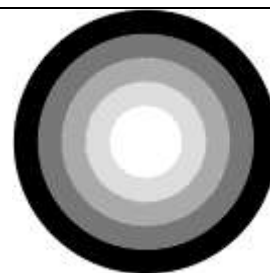
(210): 1764017 (151): 21/07/2023  
 (511): 9



(732): Samyang Roundsquare Inc. of 104 Opaesan-ro 3-gil, Seongbuk-gu Seoul, Republic of Korea

(210): 1764048 (151): 17/07/2023  
 (511): 9

(732): LEDVANCE GmbH of Parkring 29-33 85748 Garching, Germany



(210): 1764074 (151): 28/06/2023  
 (511): 9

**GLOVER RESPIN**

(732): Euro Games Technology Ltd. of 4, "Maritsa" Str., "Vranya-Lozen-Triugulnika" BG-1151 Sofia, Bulgaria



(210): 1764143 (151): 10/06/2023

(511): 29

(732): SICHUANSHENG BAISHIXING SHIPIN CHANYE YOUXIAN GONGSI of No. 206, 2F, Building 13, No. 309, South 2 Road, Economic Development Zone, (Longquanyi District), Economic and Technological Development Zone, Chengdu 610199 Sichuan, China



(210): 1764261 (151): 28/06/2023

(511): 9

(732): Euro Games Technology Ltd. of 4, "Maritsa" Str., "Vranya-Lozen-Triugulnika" BG-1151 Sofia, Bulgaria



(210): 1764345 (151): 27/10/2023

(511): 25

(732): HYPER JUMP LIMITED of NO.2-16 FA YUEN STREET, OFFICE NO.12 ON 19 FLOOR, HO KING COMMERCIAL, CENTRE KOWLOON 999077 HONG KONG, China



(210): 1764527 (151): 10/08/2023

(511): 6

(732): Huber SE of Industriepark Erasbach A1 92334 Berching, Germany



(210): 1764546 (151): 26/10/2023

(511): 9

(732): HYPER JUMP LIMITED of NO.2-16 FA YUEN STREET, OFFICE NO.12 ON 19 FLOOR, HO KING COMMERCIAL, CENTRE KOWLOON 999077 HONG KONG, China

**JUMPFROMPAPER**

(210): 1764569 (151): 30/06/2023

(511): 9

(732): Euro Games Technology Ltd. of 4 Maritsa Street, Vranya-Lozen-Triugulnika, Pancharevo Region BG-1151 Sofia, Bulgaria

**5 DAZZLING STAR**

(210): 1764576 (151): 13/07/2023

(511): 9

(732): Honor Device Co., Ltd. of Suite 3401, Unit A, Building 6, Shum Yip Sky Park, No. 8089, Hongli West Road, Xiangmihu Street, Futian District, Shenzhen 518040 Guangdong, China

HONOR Notes

(210): 1764664 (151): 01/11/2023

(511): 3

(732): Beiersdorf AG of Unnastr. 48 20253 Hamburg, Germany

**NIVEA IS FOR SKIN**

(210): 1764701 (151): 28/06/2023

(511): 9

(732): Euro Games Technology Ltd. of 4, "Maritsa" Str., "Vranya-Lozen-Triugulnika" BG-1151 Sofia, Bulgaria



(210): 1764726 (151): 17/08/2023

(511): 5

(732): Bayer Consumer Care AG of Peter Merian-Str. 84 CH-4052 Basel, Switzerland



(210): 1764733 (151): 28/06/2023

(511): 9

(732): Euro Games Technology Ltd. of 4, "Maritsa" Str., "Vranya-Lozen-Triugulnika" BG-1151 Sofia, Bulgaria



(210): 1764734 (151): 28/06/2023  
(511): 9  
(732): Euro Games Technology Ltd. of 4, "Maritsa" Str., "Vranya-Lozen-Triugulnika" BG-1151 Sofia, Bulgaria



(210): 1764809 (151): 01/11/2023  
(511): 3  
(732): Beiersdorf AG of Unnastr. 48 20253 Hamburg, Germany



(210): 1764833 (151): 13/07/2023  
(511): 5  
(732): Shijiazhuang Yiling Pharmaceutical Co., Ltd of 238, Tianshan Street, Hi-Tech Area, Shijiazhuang Hebei Province, China



(210): 1764848 (151): 27/10/2023  
(511): 9  
(732): HYPER JUMP LIMITED of NO.2-16 FA YUEN STREET, OFFICE NO.12 ON 19 FLOOR, HO KING COMMERCIAL, CENTRE KOWLOON 999077 HONG KONG, China



(210): 1764881 (151): 05/05/2023  
(511): 41  
(732): VENECE ANTONIO of Via Alcide Pedretti 28 I-00121 ROMA, Italy

**GEEKS ACADEMY**

(210): 1764890 (151): 17/08/2023  
(511): 9  
(732): Discord Inc. of 444 De Haro Street, Suite 200 San Francisco CA 94107, United States of America

**DISCORD NITRO**

(210): 1764891 (151): 17/08/2023  
(511): 9  
(732): Discord Inc. of 444 De Haro Street, Suite 200 San Francisco CA 94107, United States of America

**DISCORD**

(210): 1764955 (151): 28/06/2023  
(511): 9  
(732): Euro Games Technology Ltd. of "Maritsa" Str. 4, "Vranya-Lozen-Triugulnika" BG-1151 Sofia, Bulgaria



(210): 1764972 (151): 24/03/2023  
(511): 9  
(732): Messe Frankfurt GmbH of Ludwig-Erhard-Anlage 1 60327 Frankfurt am Main, Germany



(210): 1764980 (151): 22/06/2023  
(511): 9  
(732): EGT DIGITAL LTD. of 6, "Panorama Sofia" Str., Business Center "Richhill", block A BG-1766 Sofia, Bulgaria

**Gift Spins**

(210): 1765013 (151): 04/08/2023  
(511): 9  
(732): The Original Fit Factory Ltd of c/o Cloch Solicitors, 94 Hope Street Glasgow G2 6PH, United Kingdom



(210): 1765030 (151): 22/08/2023  
(511): 1  
(732): DIASORIN S.P.A. of VIA CRESCENTINO SNC, SALUGGIA I-13040 VERCELLI, Italy



(210): 1765129 (151): 03/11/2023  
 (511): 16  
 (732): WRITECH, INC of 92 CORPORATE PARK STE C 204 IRVINE  
 CA 92606, United States of America

**WRITECH**

(210): 1765286 (151): 16/10/2023  
 (511): 36  
 (732): Habitat for Humanity International, Inc. of Suite 2700,  
 285 Peachtree Center Avenue NE Atlanta GA 30303, United  
 States of America

**MICROBUILD**

(210): 1765349 (151): 28/06/2023  
 (511): 9  
 (732): Euro Games Technology Ltd. of 4, "Maritsa" Str., "Vranya-  
 Lozen-Triugulnika" BG-1151 Sofia, Bulgaria

**SUPREME  
COMBO LINK**

(210): 1765634 (151): 27/10/2023  
 (511): 6  
 (732): Hebei Goodfix Industrial Co., Ltd. of Southeast Corner of  
 West Ring Road and Guangfu Street Crossing, Yongnian District,  
 Handan 057150 Hebei, China

**FIXDEX**

(210): 1765693 (151): 13/10/2023  
 (511): 12  
 (732): Chery Automobile Co., Ltd. of 8 Changchun Road,  
 Economy & Technology Development Zone, Wuhu City 241009  
 Anhui Province, China



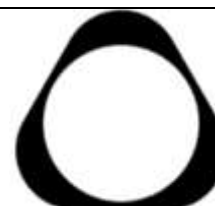
(210): 1765728 (151): 28/06/2023  
 (511): 9  
 (732): Euro Games Technology Ltd. of 4, "Maritsa" Str., "Vranya-  
 Lozen-Triugulnika" BG-1151 Sofia, Bulgaria

**PHAROAH'S GLORY**

(210): 1765813 (151): 23/08/2023  
 (511): 41  
 (732): U.D.P. UNREAL DIGITAL PAIN LTD of LORDOU VYRONOS  
 61-63 CY-6023 LARNACA, Cyprus

**SHAIDEN ROGUE**

(210): 1765848 (151): 18/10/2023  
 (511): 34  
 (732): Philip Morris Products S.A. of Quai Jeanrenaud 3 CH-2000  
 Neuchâtel, Switzerland



(210): 1765875 (151): 03/11/2023  
 (511): 3  
 (732): TROVOcare GmbH & Co. KG of Im Gottesacker 28 79279  
 Vörsstetten, Germany

**TROVO**

(210): 1765887 (151): 19/10/2023  
 (511): 34  
 (732): Philip Morris Products S.A. of Quai Jeanrenaud 3 CH-2000  
 Neuchâtel, Switzerland

**TEREA**

(210): 1766098 (151): 13/07/2023  
 (511): 9  
 (732): Euro Games Technology Ltd. of 4, "Maritsa" Str., "Vranya-  
 Lozen-Triugulnika" BG-1151 Sofia, Bulgaria

**Mighty Heracle**

(210): 1766159 (151): 13/11/2023  
 (511): 3  
 (732): Beiersdorf AG of Corporate Trademark Department,  
 Unnastr. 48 20253 Hamburg, Germany



(210): 1766563 (151): 26/10/2023  
 (511): 38  
 (732): Mike Kennedy; Invia Pty Limited of 34 Millstream Court  
 Buderim 4556, Australia; L 2 2 Lyonpark Rd Macquarie Park NSW  
 2113, Australia

**SIM Passport**

(210): 1766850 (151): 03/08/2023 (511): 3 (732): Zhang Gan of No. H3-26781 Yiwu International Trade Mart Zhejiang, China	
(210): 1766982 (151): 26/06/2023 (511): 3 (732): Z.ONE CONCEPT S.R.L. of Via Brodolini 30 I-21046 MALNATE (VA), Italy	
(210): 1767074 (151): 17/11/2023 (511): 25 (732): Roadget Business Pte. Ltd. of 112 ROBINSON ROAD, #03-01 ROBINSON 112 SINGAPORE 068902, Singapore	
(210): 1767125 (151): 22/06/2023 (511): 9 (732): EGT DIGITAL LTD. of 6, "Panorama Sofia" Str., Business Center "Richhill", block A BG-1766 Sofia, Bulgaria	
(210): 1767127 (151): 27/06/2023 (511): 9 (732): HMD Global Oy of Bertel Jungin aukio 9 FI-02600 ESPOO, Finland	
(210): 1767190 (151): 23/10/2023 (511): 9 (732): SPRIX Inc. of 2-2-1, Higashisakanouemachi, Nagaoka-shi Niigata 940-0066, Japan	
(210): 1767192 (151): 28/06/2023 (511): 9 (732): Guangzhou Onda Information Technology Co., LTD of Room 1010 (Office only), No. 89 of Yanling Road, Tianhe District, Guangzhou City 510000 Guangdong Province, China	
(210): 1767222 (151): 16/11/2023 (511): 9 (732): Apple Inc. of One Apple Park Way Cupertino CA 95014, United States of America	
(210): 1767287 (151): 25/10/2023 (511): 9 (732): F. Hoffmann-La Roche AG of Grenzacherstrasse 124 CH-4070 Basel, Switzerland	
(210): 1767305 (151): 28/06/2023 (511): 9 (732): Euro Games Technology Ltd. of 4, "Maritsa" Str., "Vranya-Lozen-Triugulnika" BG-1151 Sofia, Bulgaria	
(210): 1767306 (151): 09/08/2023 (511): 3 (732): Autumnpaper Limited of 5th Floor, Rear Suite, Oakfield House, 35 Perrymount Road Haywards Heath, West Sussex RH16 3BW, United Kingdom	
(210): 1767361 (151): 07/11/2023 (511): 3 (732): S. TOUS, S.L. of Carretera de Vic, El Guix, 3 E-08243 Manresa (Barcelona), Spain	
(210): 1767398 (151): 17/11/2021 (511): 35 (732): The Kantar Group Limited of Tooley Street, 6 More London Place LONDON SE1 2QY, United Kingdom	

(210): 1767440 (151): 30/10/2023  
(511): 35  
(732): Peaceinvest SA of Chemin des Mines 2 CH-1202 Genève, Switzerland

**PEACEINVEST**

(210): 1767521 (151): 31/10/2023  
(511): 35  
(732): Bell Procurement Management Limited of New Hampshire Court, St. Pauls Road SOUTHSEA PO5 4AQ, United Kingdom

**NOMIA**

(210): 1767529 (151): 08/05/2023  
(511): 35  
(732): Good Governance Africa Limited of C/o Standard Bank Trust Company (Mauritius) Limited, Level 9, Tower B, 1 CyberCity Ebene, Mauritius



**PEACEINVEST**

(210): 1767564 (151): 30/10/2023  
(511): 35  
(732): Peaceinvest SA of Chemin des Mines 2 CH-1202 Genève, Switzerland

(210): 1767565 (151): 01/11/2023  
(511): 35  
(732): Peaceinvest SA of Chemin des Mines 2 CH-1202 Genève, Switzerland



**IQGeo**

(210): 1767803 (151): 09/11/2023  
(511): 9  
(732): IQGeo Europe, naamloze vennootschap of Sassevaartstraat 46, bus 214 B-9000 Gent, Belgium

(210): 1767911 (151): 12/10/2023  
(511): 9  
(732): Aalto Haps Limited of Gunnels Wood Road Stevenage, Hertfordshire SG1 2AS, United Kingdom

**ZEPHYR**

(210): 1767988 (151): 11/08/2023  
(511): 6  
(732): LAI JUNHE of Room 1601, Block 3, HuAnHaoTing, No. 7 Beihu 2nd Road, Shishan Town, Nanhai District, Foshan City Guangdong Province, China



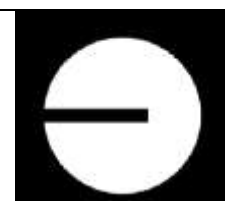
**LANZADOR**

(210): 1768213 (151): 18/08/2023  
(511): 9  
(732): AUTOMOBILI LAMBORGHINI S.P.A. of Via Modena 12 I-40019 Sant'Agata Bolognese (BO), Italy

(210): 1768222 (151): 25/10/2023  
(511): 35  
(732): South Pole Holding AG of Technoparkstrasse 1 CH-8005 Zürich, Switzerland

**South Pole**

(210): 1768553 (151): 17/07/2023  
(511): 9  
(732): Coinbase, Inc. of 248 3rd Street #434 Oakland CA 94607, United States of America



**GUUD**

(210): 1768623 (151): 03/04/2023  
(511): 5  
(732): FERNANDO GARCIA SADA of CALZADA DEL VALLE NUM. EXT. 202, NUM. INT. PISO 3, COLONIA DEL VALLE 66220 MONTERREY, NUEVO LEON, Mexico

(210): 1768669 (151): 20/07/2023  
(511): 9  
(732): CITYSPACE SOLUTIONS LDA of Avenida do Infante No. 50 P-9004-521 Funchal, Madeira, Portugal

**SLOTS CITY**



(210): 1768696 (151): 27/10/2023  
(511): 32  
(732): MERIDYEN GIDA SANAYI VE TICARET LIMITED SIRKETI of  
BAHÇESEHIR 1. KISIM MAH. DOGA PARKI CAD. 25 C 17 Basaksehir  
Istanbul, Turkey



(210): 1768702 (151): 27/10/2023  
(511): 9  
(732): Apple Inc. of One Apple Park Way Cupertino CA 95014,  
United States of America

**LIVE VOICEMAIL**

(210): 1768980 (151): 18/08/2023  
(511): 3  
(732): 3M Healthcare Intellectual Properties Company of 2501  
Hudson Road, 3M Center St Paul MN 55144, United States of  
America

**SOLVENTUM**

(210): 1768981 (151): 30/06/2023  
(511): 11  
(732): General Climate DOO Novi Sad of Novi Sad, Zheleznichka  
13, Serbia

**REYTEN**

(210): 1769044 (151): 15/11/2023  
(511): 5  
(732): Waltraud Pfister of Steigerwaldstr. 7 97447 Gerolzhofen,  
Germany



(210): 1769147 (151): 12/10/2023  
(511): 9  
(732): COMCORE TECHNOLOGY PTE. LTD. of 12 WOODLANDS  
SQUARE, #13-68/69 WOODS SQUARE SINGAPORE 737715,  
Singapore

**Comcore**

(210): 1769193 (151): 15/08/2023  
(511): 35  
(732): Six Continents Limited of 1 Windsor Dials, Arthur Road  
Windsor, Berkshire SL4 1RS, United Kingdom

**GARNER**

(210): 1769234 (151): 26/06/2023  
(511): 31  
(732): NEWSEM of 230 RUE JAMES WATT TECNOSUD SITE 21 BAT  
2A 1ER ÉTAGE F-66100 PERPIGNAN, France



(210): 1769248 (151): 01/11/2023  
(511): 8  
(732): Heiniger AG of Industrieweg 8 CH-3360 Herzogenbuchsee,  
Switzerland

**Heiniger**

(210): 1769374 (151): 28/04/2023  
(511): 1  
(732): AHAC trgovinsko podjetje d.o.o. of Stopce 31 SI-3231  
Gobelno, Slovenia

**NANA**

(210): 1769403 (151): 19/07/2023  
(511): 9  
(732): Nanjing Hengxin Consulting Management Co., Ltd. of 14F,  
A3, Science and Technology Innovation Complex, No. 8  
Bailongjiang East Street, Jianye District, Nanjing City Jiangsu  
Province, China

**ME+Globoo**

(210): 1769488 (151): 10/11/2023  
(511): 3  
(732): Henkel AG & Co. KGaA of Henkelstr. 67 40589 Düsseldorf,  
Germany

**FOR EVERY YOU**

## 12.0 General Information

### 1. Patent, Utility Models and Industrial Design fees.

The following is a list of various fees payable under the Industrial Property Regulations, 2002

#### Patents

	Local (Kshs)	Foreign USD
Filing fee (full specification)	3, 000	150
Provisional application filing fee	1, 000	50
Substantive examination request	5, 000	250
Publication fee	3, 000	150
Grant fee	3, 000	150
Annual renewal fee -2 <sup>nd</sup> year - (varies according to years)	2, 000	300

#### Utility Models

	Local (Kshs)	Foreign USD
Filing fee (full specification)	1, 000	50
Provisional application filing fee	500	50
Publication fee	3, 000	150
Registration fee	3, 000	150
Annual renewal fee -2 <sup>nd</sup> year - (varies according to years)	1, 000	50

#### Industrial Designs

	Local (Kshs)	Foreign USD
Filing fee	3, 000	150
Publication fee	3, 000	150
Registration fee	1, 000	50
Renewal fee (after five years from application date)	10, 000	500

The complete list of fees is available on the Institute website: [www.kipi.go.ke](http://www.kipi.go.ke).

### 2. African Regional Intellectual Property Organization (ARIPO)

ARIPO is a regional body established by African governments to have a central office to among other things, process and grant industrial property rights on behalf of member states. ARIPO grants patents, utility models and industrial designs on behalf of Kenya. Currently, ARIPO consists of the following 16 member states; Botswana, Gambia, Ghana, Kenya, Lesotho, Liberia, Malawi, Mozambique, Namibia Sierra Leone, Sudan, Swaziland, Tanzania, Uganda, Zambia and Zimbabwe. Kenyan applicants are required by law to first file with the Institute before filing with ARIPO. ARIPO secretariat is located in Harare Zimbabwe.

The complete fee schedule for ARIPO is available on their website <http://www.aripo.org>. The following are the fees an applicant is required to pay immediately on application.

	Patents	Utility Models	Industrial Designs
Filing fee	USD 250	USD 100	USD 50
Designation fee (multiply with no. of designated countries)	USD 75	USD 20	USD 10
Transmission fee	Kshs 5000	Kshs 5000	Kshs 5000

### 3. Patent Cooperation Treaty

The Patent Cooperation Treaty (PCT) is an international patent protection treaty consisting of over 140 member states. PCT is administered by the World Intellectual Property Organization in Geneva Switzerland. PCT makes it possible for an applicant to seek patent protection for an invention simultaneously in any of the selected member states by filing one application. PCT is a filing system and does not grant patents on behalf of the member states. Applications must enter national phase in the selected member states. In the national phase, the applicant is required to pay the prescribed national fees in the said member states. Further, in

some member states, a foreign applicant is required to have a resident agent. The PCT fees as of 1<sup>st</sup> May 2011 are as follows:

Type of fee	Fee		Fee waivers
International filing fee	USD 1, 367 or CHF 1330		90% waiver for a natural person from Kenya
Search fees  (only one search authority needs to be selected by applicant)	Austria	USD 2, 443	75% waiver for natural a person from Kenya
	Australia	USD 1, 837	None
	China	USD 314	None
	European Patent office	USD 2, 443	75% waiver for a natural person from Kenya
	Sweden	USD 2, 443	None
Transmittal fee	Kshs 5000		-

More information is available on the PCT website [www.wipo.int/pct/en](http://www.wipo.int/pct/en)

#### 4. Kenya is a signatory to the following Treaties related to industrial property rights:

No.	Treaty	Year of accession/ratification
1.	The Lusaka Agreement, establishing the African Regional Intellectual Property Organization	15 <sup>th</sup> February 1978
2.	The Protocol on Patents and Industrial Designs (Harare Protocol)	24 <sup>th</sup> October 1984
3.	The Paris Convention for Protection of Industrial Property	14 <sup>th</sup> June, 1965
4.	The World Intellectual Property Organization Convention	5 <sup>th</sup> October 1971
5.	Nairobi Treaty on the Protection of the Olympic Symbol	25 <sup>th</sup> September 1982
6.	The Patent Cooperation Treaty	8 <sup>th</sup> June 1994
7.	The Madrid Agreement Concerning the International Registration of Marks	26 <sup>th</sup> June 1998
8.	The Protocol Relating to the Madrid Agreement Concerning the International Registration of Marks	26 <sup>th</sup> June 1998
9.	The Trade Related Aspects of Intellectual Property Rights Agreement	1 <sup>st</sup> January 1995

#### 5. Trade Marks Forms and Fees

The following are some of the prescribed forms and the respective fees under the Trade Marks Rules:

	Description of fee	Local Fee Kshs	Foreign Fee US\$	Corresponding form
1.	Application fee for an application to register a trade mark: for the first class for each subsequent class	4, 000 3,000	200 150	TM 2
2.	Fee for registration of a trade mark under r. 60(1): for the first class for each subsequent class	2, 000 1, 500	150 100	-

3.	Fee for filing a notice of opposition to an application to register a trade mark: for the first class for each subsequent class	5000 4000	250 200	TM 6
4.	Fee for filing a counter statement: for the first class for each subsequent class	4, 000 3, 000	200 150	TM 7
5.	Fee for renewal of a registration of a trade mark under r.64(1), 67 or 68 for the first class for each subsequent class	4, 000 3, 000	200 150	TM 10
6.	Application fee for an application, under r. 71, to register an assignment or transmission, for each trade mark assigned or transmitted: for the first class for each subsequent class	3, 000 2,000	150 100	TM 14
7	Application fee for an application, under r. 95, to register a person as a registered user of a registered trade mark, for each trade mark: for the first class for each subsequent class	6, 000 5,000	300 250	TM 48
8.	Application fee for an application, under r. 81(1), 85(2) or 101(2), to alter the trade or business address of the proprietor or a registered user, for each trade mark: for the first class for each subsequent class	2, 000 1, 000	100 50	TM 17
9.	Application fee for an application, under r. 82(1) and section 29, 30, 35 or 36 of the Act, for the making, expunging or varying of an entry in the register, for each trade mark: for the first class for each subsequent class	6, 000 5, 000	300 250	TM 25
10.	Application fee for an application, under r. 85(2) or 101(2), to make a correction to the Register for which a fee is not otherwise specified, for each trade mark: for the first class for each subsequent class	2, 000 1, 000	150 50	TM 19
11.	Application fee for an application, under r. 85(2) or 101(2), to change the name or description of the proprietor or a registered user: for the first class for each subsequent class	3, 000 500	150 50	TM 20
12.	Fee for appointing an agent, under r. 14(2), to act in a proceeding or matter before or affecting the Registrar	1, 000	50	TM 1
13.	Application fee for an application, under r. 102, for an extension of time, other than an extension of time prescribed by rule 76: a. extension not exceeding 30 days	1, 000	50	TM 53

	b. extension exceeding 30 days but not exceeding 60 days	2, 000	100	
	c. extension exceeding 60 days	3, 000	150	
14.	Application fee for an application, under r. 108, to amend a document or drawing or other representation, for each trademark: for the first class for each subsequent class	2, 000 1, 000	100 50	TM 19
15.	Fee for preliminary advice of the Registrar under r. 20(1): for the first class for each subsequent class	3, 000 2, 000	150 50	TM 27

**Notes:**

1. A foreign fee is payable if the person paying the fee or on whose behalf the fee is being paid does not reside in Kenya and does not have a principal place of business in Kenya.
2. All the prescribed forms and the respective fees payable for matters under the Trade Marks Act and Rules are available at [www.kipi.go.ke](http://www.kipi.go.ke)

## 6. The International Classification of Goods and Services for the Purposes of the Registration of Marks (Nice Classification)

The Nice Classification is established under the Nice Agreement Concerning the International Classification of Goods and Services for the Purposes of the Registration of Marks, one of the treaties administered by the World Intellectual Property Organization. The Nice Classification was established by an Agreement concluded at a Diplomatic Conference held in Nice on 15<sup>th</sup> June 1957. Kenya has not ratified the Agreement. However, section 6 of the Trade Marks Act provides that goods and services in respect of which registration of a mark is applied for shall be classified in accordance with the Nice Classification. The following are the class headings under the Nice Classification:

### Nice Classification (10th Edition) C L A S S H E A D I N G S

#### GOODS

- Class 1* Chemicals used in industry, science and photography, as well as in agriculture, horticulture and forestry; unprocessed artificial resins, unprocessed plastics; manures; fire extinguishing compositions; tempering and soldering preparations; chemical substances for preserving foodstuffs; tanning substances; adhesives used in industry
- Class 2* Paints, varnishes, lacquers; preservatives against rust and against deterioration of wood; colorants; mordants; raw natural resins; metals in foil and powder form for painters, decorators, printers and artists
- Class 3* Bleaching preparations and other substances for laundry use; cleaning, polishing, scouring and abrasive preparations; soaps; perfumery, essential oils, cosmetics, hair lotions; dentifrices
- Class 4* Industrial oils and greases; lubricants; dust absorbing, wetting and binding compositions; fuels (including motor spirit) and illuminants; candles and wicks for lighting
- Class 5* Pharmaceutical and veterinary preparations; sanitary preparations for medical purposes; dietetic food and substances adapted for medical or veterinary use, food for babies; dietary supplements for humans and animals; plasters, materials for dressings; material for stopping teeth, dental wax; disinfectants; preparations for destroying vermin; fungicides, herbicides
- Class 6* Common metals and their alloys; metal building materials; transportable buildings of metal; materials of metal for railway tracks; non-electric cables and wires of common metal; ironmongery, small items of metal hardware; pipes and tubes of metal; safes; goods of common metal not included in other classes; ores



- 
- Class 7* Machines and machine tools; motors and engines (except for land vehicles); machine coupling and transmission components (except for land vehicles); agricultural implements other than hand-operated; incubators for eggs; automatic vending machines
- Class 8* Hand tools and implements (hand-operated); cutlery; side arms; razors
- Class 9* Scientific, nautical, surveying, photographic, cinematographic, optical, weighing, measuring, signalling, checking (supervision), life-saving and teaching apparatus and instruments; apparatus and instruments for conducting, switching, transforming, accumulating, regulating or controlling electricity; apparatus for recording, transmission or reproduction of sound or images; magnetic data carriers, recording discs; compact discs, DVDs and other digital recording media; mechanisms for coin-operated apparatus; cash registers, calculating machines, data processing equipment, computers; computer software; fire-extinguishing apparatus
- Class 10* Surgical, medical, dental and veterinary apparatus and instruments, artificial limbs, eyes and teeth; orthopedic articles; suture materials
- Class 11* Apparatus for lighting, heating, steam generating, cooking, refrigerating, drying, ventilating, water supply and sanitary purposes
- Class 12* Vehicles; apparatus for locomotion by land, air or water
- Class 13* Firearms; ammunition and projectiles; explosives; fireworks
- Class 14* Precious metals and their alloys and goods in precious metals or coated therewith, not included in other classes; jewellery, precious stones; horological and chronometric instruments
- Class 15* Musical instruments
- Class 16* Paper, cardboard and goods made from these materials, not included in other classes; printed matter; bookbinding material; photographs; stationery; adhesives for stationery or household purposes; artists' materials; paint brushes; typewriters and office requisites (except furniture); instructional and teaching material (except apparatus); plastic materials for packaging (not included in other classes); printers' type; printing blocks
- Class 17* Rubber, gutta-percha, gum, asbestos, mica and goods made from these materials and not included in other classes; plastics in extruded form for use in manufacture; packing, stopping and insulating materials; flexible pipes, not of metal
- Class 18* Leather and imitations of leather, and goods made of these materials and not included in other classes; animal skins, hides; trunks and travelling bags; umbrellas and parasols; walking sticks; whips, harness and saddlery
- Class 19* Building materials (non-metallic); non-metallic rigid pipes for building; asphalt, pitch and bitumen; non-metallic transportable buildings; monuments, not of metal
- Class 20* Furniture, mirrors, picture frames; goods (not included in other classes) of wood, cork, reed, cane, wicker, horn, bone, ivory, whalebone, shell, amber, mother-of pearl, meerschaum and substitutes for all these materials, or of plastics
- Class 21* Household or kitchen utensils and containers; combs and sponges; brushes (except paint brushes); brush-making materials; articles for cleaning purposes; steelwool; unworked or semi-worked glass (except glass used in building); glassware, porcelain and earthenware not included in other classes
- Class 22* Ropes, string, nets, tents, awnings, tarpaulins, sails, sacks and bags (not included in other classes); padding and stuffing materials (except of rubber or plastics); raw fibrous textile materials
- Class 23* Yarns and threads, for textile use

- 
- Class 24* Textiles and textile goods, not included in other classes; bed covers; table covers
- Class 25* Clothing, footwear, headgear
- Class 26* Lace and embroidery, ribbons and braid; buttons, hooks and eyes, pins and needles; artificial flowers
- Class 27* Carpets, rugs, mats and matting, linoleum and other materials for covering existing floors; wall hangings (non-textile)
- Class 28* Games and playthings; gymnastic and sporting articles not included in other classes; decorations for Christmas trees
- Class 29* Meat, fish, poultry and game; meat extracts; preserved, frozen, dried and cooked fruits and vegetables; jellies, jams, compotes; eggs; milk and milk products; edible oils and fats
- Class 30* Coffee, tea, cocoa and artificial coffee; rice; tapioca and sago; flour and preparations made from cereals; bread, pastry and confectionery; ices; sugar, honey, treacle; yeast, baking-powder; salt; mustard; vinegar, sauces (condiments); spices; ice
- Class 31* Grains and agricultural, horticultural and forestry products not included in other classes; live animals; fresh fruits and vegetables; seeds; natural plants and flowers; foodstuffs for animals; malt
- Class 32* Beers; mineral and aerated waters and other non-alcoholic beverages; fruit beverages and fruit juices; syrups and other preparations for making beverages
- Class 33* Alcoholic beverages (except beers)
- Class 34* Tobacco; smokers' articles; matches
- SERVICES**
- Class 35* Advertising; business management; business administration; office functions
- Class 36* Insurance; financial affairs; monetary affairs; real estate affairs
- Class 37* Building construction; repair; installation services
- Class 38* Telecommunications
- Class 39* Transport; packaging and storage of goods; travel arrangement
- Class 40* Treatment of materials
- Class 41* Education; providing of training; entertainment; sporting and cultural activities
- Class 42* Scientific and technological services and research and design relating thereto; industrial analysis and research services; design and development of computer hardware and software
- Class 43* Services for providing food and drink; temporary accommodation
- Class 44* Medical services; veterinary services; hygienic and beauty care for human beings or animals; agriculture, horticulture and forestry services
- Class 45* Personal and social services rendered by others to meet the needs of individuals; security services for the protection of property and individuals

-----  
END OF DOCUMENT

