

KENYA INDUSTRIAL PROPERTY INSTITUTE



INDUSTRIAL PROPERTY JOURNAL

(Journal of Patents, Industrial Designs, Utility Models and Trade marks)

No. 2023/12

31st December, 2023

Published Monthly

EDITORIAL

The Industrial Property Journal is the Official Journal of the Kenya Industrial Property Institute. Publication of the Journal is provided for under the Industrial Property Act, 2001 and regulation 7 of the Industrial Property Regulations 2002. The Journal is published monthly by the Institute as part of the procedures for protection of industrial property rights under the Industrial Property Act, No. 3 of 2001 and the Trade Marks Act, Cap 506 of the Laws of Kenya.

.....

PUBLICATION FEES FOR MARKS

	Foreign	Local
For the first class.....	US\$ 60	Ksh. 3, 000/=
For each subsequent class.....	US\$ 50	Ksh. 2, 500/=

The above-mentioned charges apply for all other matters required to be published under the Trade Marks Act, Cap 506 of the Laws of Kenya

.....

PUBLICATION FEES FOR PATENTS, UTILITY MODELS AND INDUSTRIAL DESIGNS

Foreign	Local
US\$ 150	Ksh. 3, 000/=

The above-mentioned charges apply for all other matters required to be published under the Industrial Property Act, No. 3 of 2001

.....

Published and edited by:
Kenya Industrial Property Institute
P.O. Box 51648-00200 Nairobi.
Tel: 254-02-6002210/11, 6006326/29/36
Mobile No: 0736002020
Wireless: 0202386220
Fax: 254-02-6006312
Email: info@kipi.go.ke
Website: www.kipi.go.ke

© Kenya Industrial Property Institute 2023

The Industrial Property Journal

CONTENTS	PAGE
EDITORIAL.....	I
PUBLICATION FEES FOR MARKS.....	I
PUBLICATION FEES FOR PATENTS, UTILITY MODELS AND INDUSTRIAL DESIGNS	I
WIPO STANDARDS	III
GENERAL NOTICES.....	IV
1.0 PATENT APPLICATIONS PUBLISHED UNDER SECTION 42 AND REGULATION 35.	1
1.1 NATIONAL APPLICATION	1
1.2 PCT NATIONAL PHASE APPLICATIONS.....	1
2.0 PATENTS GRANTED UNDER SECTION 45.....	2
2.1 NATIONAL PATENTS.....	2
2.2 ARIPO GRANTED PATENTS.....	2
3.0 PATENTS RENEWED UNDER SECTION 61	2
3.1 NATIONAL PATENTS.....	2
4.0 CHANGE OF OWNERSHIP	4
5.0 UTILITY MODEL APPLICATIONS PUBLISHED UNDER SECTION 42 AND REGULATION 35	4
5.1 NATIONAL APPLICATION.....	4
6.0 UTILITY MODELS REGISTERED.....	6
6.1 NATIONAL UTILITY MODELS.....	6
7.0 UTILITY MODEL RENEWED	6
8.0 INDUSTRIAL DESIGN APPLICATIONS PUBLISHED UNDER SECTION 87 AND REGULATION 48	6
8.1 NATIONAL APPLICATIONS	7
8.2 ARIPO APPLICATIONS	7
9.0 REGISTERED INDUSTRIAL DESIGNS.....	8
9.1 NATIONAL INDUSTRIAL DESIGNS.....	8
10.0 RENEWED INDUSTRIAL DESIGNS.....	8
10.1 NATIONAL DESIGNS	8
11.0 TRADE MARKS.....	9
11.1 APPLICATIONS ACCEPTED FOR REGISTRATION.....	9
11.2 LICENCE.....	95
11.3 CORRIGENDA	95
11.4 ALTERATION.....	98
11.5 MADRID APPLICATIONS ACCEPTED FOR REGISTRATION.....	99
11.6 CORRIGENDA.....	115
12.0 GENERAL INFORMATION.....	116
1. PATENT, UTILITY MODELS AND INDUSTRIAL DESIGN FEES.	116
2. AFRICAN REGIONAL INTELLECTUAL PROPERTY ORGANIZATION (ARIPO).....	116
3. PATENT COOPERATION TREATY.....	116
4. KENYA IS A SIGNATORY TO THE FOLLOWING TREATIES RELATED TO INDUSTRIAL PROPERTY RIGHTS:	117
5. TRADE MARKS FORMS AND FEES	117
6. THE INTERNATIONAL CLASSIFICATION OF GOODS AND SERVICES FOR THE PURPOSES OF THE REGISTRATION OF MARKS (NICE CLASSIFICATION).....	119

WIPO standards**INID CODES**

INID is an acronym for 'Internationally agreed Numbers for the Identification of (bibliographic) Data'. The codes are used on the first page of industrial property documents and in gazettes to identify the bibliographic data without knowledge of the language used and the industrial property laws applied. The following INID codes are used in this Journal:

Standard ST.9 and ST.80 for Patents and utility Models and Industrial Designs

- (11) Number of the document
- (12) Designation of the kind of document
- (15) Correction information
- (19) WIPO standard ST.3 code of the office or organization publishing the document
- (21) Application Number
- (22) Date of filing of application
- (30) Priority data
- (31) Priority Number(s).
- (32) Priority Date(s).
- (33) Priority Country(s).
- (41) Publication date of unexamined application
- (42) Publication date of examined application
- (45) Publication date of registered right/Date of registration
- (51) International classification.
- (54) Title of the Invention.
- (56) Cited documents
- (57) Abstract
- (71) Name(s) of applicant(s)
- (72) Name(s) of Inventor(s)
- (730) Proprietor
- (740) Name and address of Agent or address for service
- (85) Date of entry into national phase for PCT applications
- (87) PCT Publication data
- Standard ST. 60 for Marks
- 111 Registration number
- 180 Expiry Date
- 210 Application number
- 220 Filing date of application
- 300 Data relating to Application under the Paris convention
- 442 Date of advertisement
- 511 International classification and/or list of goods and services
- 526 Disclaimer
- 540 Reproduction of the Mark
- 566 Translation of the mark or words contained in the mark
- 15 Amendment/Correction information
- 591 Information concerning colours claimed
- 730 Name and address of the/proprietor
- 740 Name and address of the agent or applicant
- 791 Name and address of Licensee/registered user

GENERAL NOTICES

1.0 Patent Applications published under Section 42 and Regulation 35.

1.1 National Application

(21) Application no.: KE/P/2023/4393 (22) Filing Date: 25/01/2023
(51) Int.Cl.2018.01 G 06Q 50/16(2012.01)
(54) Title: MUBOONI PROPERTY MANAGEMENT SYSTEM
(72) Inventors: THOMAS OGORO OMBATI, THOMAS OGORO OMBATI,
(73) Applicant(s): THOMAS OGORO OMBATI, P. O. BOX 22636-00100 NAIROBI, Kenya
(74) Agent:
(57) Mubooni (MBNi) endeavours to modernize the management of real estate in Kenya. MBNi achieves an end to end functionality for all players in the real estate industry. The system allows users to handle various work-flows that relates to property domain. The platform aims to satisfy the needs of stakeholders such as landlords, land owners, agents, staff, service providers, Property Management Enterprises and tenants. Specifically, the platform makes the work for these players easier when handling various work-flows that relate to real estate. This revolutionary platform will deliver a set of services deployed using various IT strategies to ensure that the management of property using the platform is easier and intuitive and not painfully incomplete as most products in the market. The platform will provide access to information using various channels including the website, mobile, SMS.

.....

1.2 PCT National Phase Applications

(21) KE/23/04702 (PCT/IB2021/056270)
(22) 09/08/2021
(54) A PROCESS FOR PREPARING
CHLORANTRANILIPROLE
(71) GHARDA CHEMICALS LIMITED
(85) 29/09/2023

.....

(21) KE/23/04711 (PCT/EP2022/059857)
(22) 13/04/2022
(54) PHOSPHORUS DERIVATIVES AS NOVEL SOS1
INHIBITORS
(71) BAYER AKTIENGESELLSCHAFT
(85) 12/10/2023

.....

(21) KE/23/04713 (PCT/US2022/021805)
(22) 24/03/2022
(54) METHOD AND APPARATUS FOR ESTIMATING
ELECTROMAGNETIC ENVIRONMENTAL EFFECTS ON
RF DEPENDENT SYSTEMS
(71) KELLOGG BROWN & ROOT LLC
(85) 13/10/2023

.....

(21) KE/23/04716 (PCT/US2022/26760)
(22) 28/04/2022
(54) ANTISENSE OLIGONUCLEOTIDES AND THEIR USE
FOR TREATMENT OF NEURODEGENERATIVE
DISORDERS
(71) EISAI R&D MANAGEMENT CO., LTD.
(85) 27/10/2023

.....

(21) KE/23/04717 (PCT/EP2022/061416)
(22) 28/04/2022
(54) FOLDING INFLATABLE VEHICLE
(71) PAYARD, Benoit
(85) 27/10/2023

.....

(21) KE/23/04724 (PCT/CN2022/092264)
(22) 11/05/2022
(54) PHARMACEUTICAL COMPOSITION FOR
TREATING RHEUMATOID ARTHRITIS AND
PREPARATION METHOD THEREFOR
(71) HEBEI YILING MEDICINE RESEARCH INSTITUTE
CO., LTD.
(85) 10/11/2023

.....

(21) KE/23/04740 (PCT/PH2021/050043)
(22) 10/12/2021
(54) A UNIDIRECTIONAL FUEL NOZZLE FOR
IMPROVING FUEL ATOMIZATION IN A CARBURETOR
OR SIMILAR APPARATUS
(71) BERNARDO, Rommel
(85) 22/11/2023

.....

(21) KE/23/04744 (PCT/CN2022/096577)
(22) 01/06/2022
(54) TRADITIONAL CHINESE MEDICINE COMPOSITION
FOR TREATING COLD OF CHILDREN
(71) HEBEI YILING MEDICINE RESEARCH INSTITUTE
CO. LTD.
(85) 01/12/2023

.....

2.0 Patents Granted under Section 45

2.1 National Patents

(11) Patent Number: KE 1000 date of grant: 08/12/2023
 (21) Application Number: KE/P/2018/2952 (22) Filing Date:21/06/2018
 (73) Owner(s): THERMACOR PROCESS, INC of 1670 Hicks Field Road East Fort Worth, Texas 76179, U.S.A.
 (72) Inventor(s) THOMAS, Joseph Keyes
 (74) Agent/address for correspondence: JK MUCHAE & COMPANY ADVOCATES, P.O. BOX 60664-00200 NAIROBI, Kenya
 (54) Title: METHOD OF INSTALLING A HEAT TUBE ON PRE-INSULATED PIPING
 (51) Int.Cl.2016.01: F 16L 59/14, F 16L 9/147, B 32B 27/32, B 32B 9/04, B 32B 27/06, B 32B 1/08, B 32B 38/04
 (57) Abstract: A method is shown for installing a heat tube on a section of pre-insulated piping. A metal carrier pipe is covered with a first layer of foam insulation. Next, a routing device is used to cut a longitudinal slot along the length of the pipe so that the pipe exterior surface is exposed from the insulation. A heat tube is then installed within the longitudinal slot, whereby the heat tube contacts the exterior surface of the metal carrier pipe. A second layer of foam insulation is then sprayed onto the exterior of the metal carrier pipe, covering the previously formed longitudinal slot and installed heat tube. A polyolefin coating is then applied over the insulation to form a protective outer jacket for the insulated pipe

.....

(11): KE 1001 (45): 08/12/2023 (21):2019/3247 (22):19/09/2017 (30):16192021.0 03/10/2016 EP
 (73): UNILEVER PLC of Unilever House, 100 Victoria Embankment London, Greater London EC4Y 0DY, United Kingdom (72): PRAMANIK, Amitava; RAMAN, Srinivasa, Gopalan and ROYCHOWDHURY, Sumana (74): Kaplan & Stratton Advocates, P.O. Box 40111-00100 Nairobi, Kenya
 (54): WATER CLARIFICATION COMPOSITION CONTAINING AMPHOTERIC POLYMER
 (51) Int.Cl.2016.01: C 02F 1/56
 (57):
 Disclosed is a water clarification composition comprising: (i) 0.1 to 50 % by weight of dry matter of anionic polymeric flocculant; (ii) 0.4 to 90 % by weight of dry matter of an amphoteric polymer having a molecular weight of at least 5,000 Da, said amphoteric polymer being characterized in that at least 30%, preferably at least 50% of the monomeric units of the amphoteric polymer are betaine units represented by the following formula (I): $H_2C=C(R^1)-C(O)O-(CH_2)_n-N^+(R^2)(R^3)-(CH_2)_p-X$ where: R^1 represents a hydrogen atom or a linear or branched C_1 to C_6 alkyl group; R^2 and R^3 , independently of each other, represent an alkyl, hydroxyalkyl or aminoalkyl group in which the alkyl group is a linear or branched C_1 to C_6 alkyl; n is an integer in the range of 1 to 4; p is an integer in the range of 2 to 8; - X represents COO^- , SO_3^- or OSO_3^- ; and (iii) 0 to 95 % by weight of dry matter of inert filler; wherein the combination of the anionic polymer flocculant, the amphoteric polymer and the inert filler constitutes at least 50 % by weight, preferably at least 70 % by weight of the water clarification composition, wherein the amphoteric polymer exists in a ratio to the anionic polymer flocculant, and wherein the ratio is selected from 3:1, 4:1, or 5:1. This composition is effective at removing turbidity in water, especially in the absence of metal flocculants and metal coagulants.

2.2 ARIPO granted Patents

3.0 Patents Renewed under Section 61

3.1 National Patents

(11)/(21) 352(KE/P/2008/734)
 (71) OptiPave, LLC
 (24) Registration/application extended up to:
 27/7/2024

.....

(11)/(21) 795(KE/P/2009/919)
 (71) BAYER INTELLECTUAL PROPERTY GMBH
 (24) Registration/application extended up to:
 05/12/2024

.....

(11)/(21) 658(KE/P/2009/921)
 (71) REGENERON PHARMACEUTICALS, INC
 (24) Registration/application extended up to:
 14/12/2024

.....

(11)/(21) 846(KE/P/2013/1870)
 (71) FMC Agricultural Products International AG

(24) Registration/application extended up to:
19/12/2024

.....

(11)/(21) 792(KE/P/2014/1999)
(71) TELEFONAKTIEBOLAGET LM ERICSSON (PUBL)
(24) Registration/application extended up to:
22/12/2024

.....

(11)/(21) 998(KE/P/2015/2213)
(71) NEC CORPORATION
(24) Registration/application extended up to:
25/12/2024

.....

(11)/(21) 994(KE/P/2016/2523)
(71) JFE STEEL CORPORATION
(24) Registration/application extended up to:
09/01/2024

.....

(11)/(21) 927(KE/P/2018/2951)
(71) TRADE CORPORATION INTERNATIONAL, S.A.
UNIPERSONAL
(24) Registration/application extended up to:
21/12/2024

.....

(11)/(21) 948(KE/P/2019/3311)
(71) UPL LTD
(24) Registration/application extended up to:
18/12/2024

.....

(11)/(21) (KE/P/2019/3323)
(71) UPL LTD
(24) Registration/application extended up to:
27/12/2024

.....

(11)/(21) (KE/P/2019/3350)
(71) NETSWEEPER (BARBADOS) INC.
(24) Registration/application extended up to:
28/03/2025

.....

(11)/(21) (KE/P/2020/3687)
(71) MAYNARD, Mark, J. ;
(24) Registration/application extended up to:
17/01/2025

.....

(11)/(21) 995(KE/P/2021/3844)
(71) H & M HENNES & MAURITZ (FAR EAST) LTD.
(24) Registration/application extended up to:
13/12/2024

.....

(11)/(21) (KE/P/2021/3848)
(71) EISAI R&D MANAGEMENT CO., LTD.

(24) Registration/application extended up to:
12/12/2024

.....

(11)/(21) (KE/P/2022/4272)
(71) STEAMOLOGY MOTION LTD
(24) Registration/application extended up to:
04/12/2024

.....

(11)/(21) (KE/P/2022/4282)
(71) CORTEVA AGRISCIENCE LLC
(24) Registration/application extended up to:
03/12/2024

.....

(11)/(21) (KE/P/2022/4292)
(71) WARWICK INTERNATIONAL GROUP LIMITED
(24) Registration/application extended up to:
15/12/2024

.....

(11)/(21) (KE/P/2022/4299)
(71) BAYER AKTIENGESELLSCHAFT
(24) Registration/application extended up to:
14/12/2024

.....

(11)/(21) (KE/P/2022/4301)
(71) NEXAT SA
(24) Registration/application extended up to:
8/12/2024

.....

(11)/(21) (KE/P/2022/4303)
(71) ZHANGJIAGANG ZHONGMEI UCS TECHNOLOGY
CO., LTD. INSTITUTE OF RESEARCH OF IRON &
STEEL, JIANGSU PROVINCE/SHA-STEEL, CO.,
LTD. JIANGSU SHAGANG GROUP CO., LTD.
(24) Registration/application extended up to:
30/12/2024

.....

(11)/(21) (KE/P/2023/4566)
(71) BAYER AKTIENGESELLSCHAFT
(24) Registration/application extended up to:
09/12/2024

.....

(11)/(21) (KE/P/2023/4567)
(71) BAYER AKTIENGESELLSCHAFT
(24) Registration/application extended up to:
09/12/2024

.....

(11)/(21) (KE/P/2023/4570)
(71) BAYER AKTIENGESELLSCHAFT
(24) Registration/application extended up to:
09/12/2024

.....

(11)/(21) (KE/P/2023/4578)
(71) BIOLINE AGROSCIENCES FRANCE

(24) Registration/application extended up to: 20/12/2024

.....

(11)/(21) (KE/P/2023/4596)
(71) GUALA CLOSURES S.P.A.
(24) Registration/application extended up to: 03/12/2024

.....

(11)/(21) (KE/P/2023/4740)
(71) BERNARDO, Rommel
(24) Registration/application extended up to: 10/12/2024

.....

(11)/(21) 786(KE/P/2015/2387)
(71) COROMANDEL INTERNATIONAL LIMITED
(24) Registration/application extended up to: 23/12/2024

.....

(11)/(21) (KE/P/2019/3070)
(71) SUMITOMO CHEMICAL COMPANY LIMITED

(24) Registration/application extended up to: 24/01/2025

.....

(11)/(21) (KE/P/2020/3681)
(71) Bolouki ShawnHunzai Muhammad AminPaxpaul Mbogori
(24) Registration/application extended up to: 06/07/2024

.....

(11)/(21) (KE/P/2021/3926)
(71) ALEX MUNGAI MUCHIRI
(24) Registration/application extended up to: 03/11/2024

.....

(11)/(21) (KE/P/2021/3926)
(71) ALEX MUNGAI MUCHIRI
(24) Registration/application extended up to: 03/11/2023

.....

4.0 Change of Ownership

Application No. AP/D/2016/001096 /Registration No.: 854

Assignor Name & Address: MAXE (PTY) LTD., 2 Cherry Road, Pinetown, Kwa-zulu Natal, Republic of South Africa now at 11 Surprise Road, Surprise Park, Pinetown, Kwa Zulu Natal, Republic of South Africa

Assignee Name & Address: KAP AUTOMOTIVE (PTY) LTD of 3rd Floor, Building 2, The views, Founders Hill Office Park 18 Centenary Street, Modderfontein, Gauteng 1645, South Africa

.....

Application No. AP/P/2022/014430 /Registration No.:

Assignor Name & Address: SIMPKINS CUTHBERT O, 1989 Main street, Apt 636, Kansas City, MO 64108, USA

Assignee Name & Address: VIVACELLE BIO, INC. of 2300 Main street, Suite 900, Kansas City, MO 64108, U.S.A.

.....

5.0 Utility Model Applications Published under Section 42 and Regulation 35

5.1 National Application

(21) KE/U/2023/2296 (22) 19/09/2023

(30) Priority:

(73) PRECIOUS PLASTICS KENYA LTD of P. O. BOX 3978-40200 KISII, Kenya

(72) DAUDI MANDUKU MICHAEL

(74) FREDRICK O. OTSWONG'O, FRED OTSWONG'O & IP ASSOCIATES, P.O. BOX 54708-00200, NAIROBI, Kenya

(54) PLASTIC CHAIN LINK

(51)

(57) The present utility model application discloses a plastic chain links manufactured from recycled plastic waste materials. The said plastic chain link comprises a tension bar designed to hold the mesh in place and further tighten the tension, post cap fitted at the top of a terminal post, brace band crafted to attach the chain link top rail to the corner post, end post and gate post or frame. Also disclosed is a manufacturing process leveraging sustainable practices and procedures.

.....

(21) KE/U/2023/2312 (22) 10/11/2023

(73) ANA GREEN TECH AFRICA LTD of GREEN WOOD DRIVE-NYALI, P.O.BOX 41037-80100, MOMBASA, Kenya

(72) KAHSAW WOLDAY BARNABAS

(74) MCKAY ADVOCATES 215 DAVID OSIELI ROAD, OFF RHAPTA ROAD

(54) A Fiber-Reinforced Plastic Rebar for Reinforcing Concrete

(51)2016.01: E 04C 5/07

(57) This invention relates to a fiber-reinforced plastic (FRP) rebar for reinforcing concrete, utilizing Composite Technology's proprietary mix of raw materials. The rebar comprises 20 percent Polyester or Epoxy Resin and 80 percent Fiberglass or Basalt Fiber, with 100 percent mix additives applied to the resin. The innovative manufacturing process results in a composite material that combines the strength of fiberglass or basalt with the corrosion resistance of polyester or epoxy resin, offering enhanced structural reinforcement for various construction applications.

(21) KE/U/2023/2324 (22) 07/12/2023

(73) MY RUSTIC PLACE of P.O. BOX 2040-00502 NAIROBI, Kenya and DAN JUMA of P.O. BOX 2040-00502 NAIROBI, Kenya

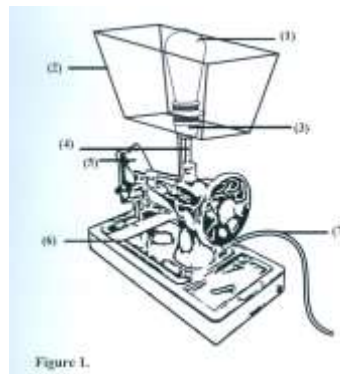
(72) DAN JUMA

(74)

(54) RUSTIC SEWING MACHINE TABLE LAMP

(51) 2016.01: F 21V 21/06

(57) The invention relates to a method of making a table lamp from a sewing machine. The method comprises of repurposing a sewing machine which forms a base for a table lamp and which provides a unique table lamp.



(21) KE/U/2023/2325 (22) 07/12/2023

(30) Priority:

(73) MY RUSTIC PLACE of P.O. BOX 2040-00502 NAIROBI, Kenya and DAN JUMA of P.O. BOX 2040-00502 NAIROBI, Kenya

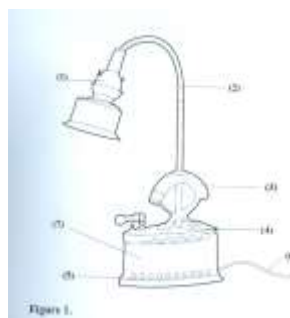
(72) DAN JUMA

(74)

(54) RUSTIC IRON BOX TABLE LAMP

(51) 2016.01: F 21V 21/06

(57) The invention relates to a method of making a table lamp from an iron box. The method comprises of repurposing an iron box which forms a base for a table lamp and which provides a unique table lamp.



(21) KE/U/2023/2331 (22) 18/12/2023

(30) Priority:

(73) MY RUSTIC PLACE of PO BOX 2040-00502, KAREN, Kenya and DAN JUMA of PO BOX 2040-00502, KAREN, Kenya

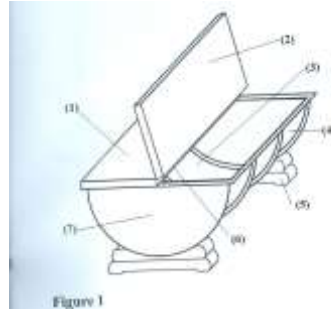
(72) DAN JUMA

(74)

(54) RUSTIC TANK STORAGE TABLE

(51) 2016.01: A 47B 37/00

(57) The invention relates to a table with a storage compartment, a half-cylindrical shaped body which can be derived from a metallic or plastic tank or wooden barrel, a top cover provided with hinges and handles on the side and legs. The method provides a table with a unique appearance.



.....

6.0 Utility Models Registered

6.1 National Utility Models

(11) Registration no.: 467 (45) Date of grant: 18/12/2023

(21) Application no.: KE/23/02273 (22) Filing Date: 01/09/2023

(31) Priority:

(73) Applicant(s): JAMES MURITU KARIUKI, P. O. BOX 178-00200 KENOL, Kenya

(72) Inventors: JAMES MURITU KARIUKI, P. O. BOX 178-00200 KENOL, Kenya

(51) Int.Cl.2016.01: B 09B 3/00

(54) Title: A method and process of extracting fuel from waste plastic materials.

(57)

Most of the unrecycled plastics end up in rivers, oceans and landfills posing disruption in marine ecosystems, agriculture and human health. Therefore, this problem of increased plastic disposal to the environment is solved through thermochemical process of pyrolysis so as to extract low sulphur polyfuels from the synthetic polymers. The process extracts crude oil, petrol and diesel which can be used in automotive and industry to run machines. The process comprises of the waste plastics being collected, sorted, loaded to reactor, heated, vaporised, condensed, the gas being collected and collection of the condensed vapor. The whole process of collecting different products is based with different temperature set conditions.

.....

7.0 Utility Model renewed

(11)/(21) 315(KE/U/2020/1466)

(71) ALEX MUNGAI MUCHIRI

(24) Registration/application extended up to: 25/11/2024

.....

(11)/(21) 415(KE/U/2022/1994)

(71) PADMAD FOUNDATIONAL LIMITED

(24) Registration/application extended up to: 22/12/2024

.....

8.0 Industrial Design Applications Published Under Section 87 and Regulation 48

NOTICE is given that any person who has grounds of opposition to the Registration of any of the Industrial designs published herein may within sixty (60) days from the date of this Journal, lodge a notice of opposition on form IP 36 (in duplicate) together with a fee of Ksh.5,000/= (local opponent) or US\$ 250 (foreign opponent).

The period of lodging the notice of opposition may be extended by the Managing Director as he deems fit and upon such terms as he may direct. Any request for such extension should be made to the Managing Director to reach him before the expiry of the period allowed.

Formal opposition should not be lodged until after reasonable notice has been given in writing to the applicant to afford him an opportunity of withdrawing his application before the expense of preparing the notice of opposition is incurred. Failure to give such notice will be taken into account in considering any application by an opponent for an order for costs if the opposition is uncontested by the applicant. Representations and samples of the designs advertised herein can be seen at the Patent Registry, Kenya Industrial Property Institute, KIPI Centre, 17 Kabarsiran Avenue, Off Waiyaki Way, Lavington, Nairobi.

8.1 National Applications

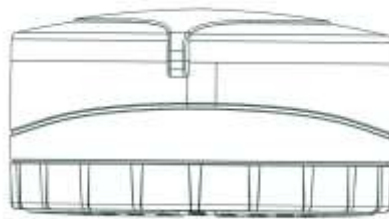
(21):2023/2803 (22): 30/10/2023 (30):302023003164-2 19/06/2023 BR

(73): ENERBRAS MATERIAIS ELETRICOS LTDA BRAZIL 83606-310, Brazil

(74): HAMILTON HARRISON & MATHEWS ADVOCATES, 1st Floor, Delta Office Suites, Block A, Off Waiyaki Way, Muthangari, P.O. Box 30333 Nairobi - 00100, Kenya

(51) International Class (Loc (6)): 23-06 (54): SHOWERHEAD

The features of the design for which novelty is claimed are the shape and the configuration of the article as shown in the representation.



.....

8.2 ARIPO Applications

(21) Application No.:AP/D/2021/1559

(22) Filing date: 11/08/2021

(30) Priority:

(51) Classification:12-11

(54) Article to which design is applied: THREE WHEELED VEHICLE

(73) Applicant: TVS MOTOR COMPANY LIMITED Chaitanya, No.12, Khader Nawaz Khan Road, Nungambakkam, Chennai 600 006, India

(74) Agent/address of service: CLAIRWOOD CHAMBERS, 38 Clairwood Road, Alexandra Park, Harare, Zimbabwe
Novelty resides in the entire shape and configuration of the Three Wheeled Vehicle as illustrated.

No claim is made by virtue of this registration in respect of any mechanical or other action of the mechanism whatsoever or in respect of any mode or principle of construction of the article.

No claim is made by virtue of registration in respect of any extraneous matter not forming part of the design as illustrated.

No claim is made by virtue of the registration to any right to the exclusive use of the words, letters, numerals, flags, crowns, arms or other trademarks, etc. appearing in the design as illustrated.

.....

(21) Application No.:AP/D/2022/1704

(22) Filing date: 23/08/2022

(30) Priority:2022-003587 24/02/2022 JP

(51) Classification:

(54) Article to which design is applied: NOZZLE

(73) Applicant: UPL CORPORATION LIMITEDUPL EUROPE LTD. 6th Floor, Suite 157B, Harbor Front Building, President John Kennedy Street, Port Louis, Mauritius, Maritius and The Centre, 1st Floor, Birchwood Park, Warrington, Cheshire WA3 6YN, United Kingdom

(74) Agent/address of service: ADAMS AND ADAMS MOZAMBIQUE, Rua Estevão Ata-de, #20, R/C Bairro da Sommerschild, Maputo, Mozambique

The features of the design for which protection is claimed include the pattern and the shape, and the configuration, and the ornamentation of a nozzle, substantially as shown in the representations, but the colour and shading shown are for illustrative purposes only and do not form an essential part of the design

.....

(21) Application No.:AP/D/2023/1760

(22) Filing date: 02/03/2023

(30) Priority:370308-001 02/09/2022 IN

(51) Classification:13-02

(54) Article to which design is applied: SWAPPABLE BATTERY PACK

(73) Applicant: SUN MOBILITY PTE LTD. The Octagon, 105 Cecil Street, #07-01. Singapore 069534, Singapore

(74) Agent/address of service: Cronj& Co., 1, Charles Cathral Street, Olympia, Windhoek, Namibia

.....

(21) Application No.:AP/D/2023/1776

(22) Filing date: 28/04/2023

(30) Priority:202230746932.6 09/11/2022 CN

(51) Classification:10-04

(54) Article to which design is applied: DIN-RAIL SINGLE PHASE METER

(73) Applicant: CLOU GLOBAL TECHNOLOGY CO., LTD. 16/F, Block A, CLou Building, Baoshen Road, Songpingshan Community, Xili Street, Nanshan District, Shenzhen, Guangdong 518000, China

(74) Agent/address of service: Cronj& Co., 1, Charles Cathral Street, Olympia, Windhoek, Namibia

.....

9.0 Registered Industrial Designs

9.1 National Industrial Designs

(11): 1654 (45): 19/12/2023 (21): 2023/2754 (22): 04/08/2023 (30): (51): (Loc (6)):09-03

(54): CORRUGATED CARTON

(73): ALLPACK INDUSTRIES LIMITED, P. O. BOX 3741-00506 NAIROBI, Kenya (74):

The features of the design for which novelty is claimed are the shape and configuration of the article as shown in the representations.



.....

10.0 Renewed Industrial Designs

10.1 National Designs

(11) Design Number:1175

(22) Filing Date: 04/01/2019

(51) International Class. (Loc (6)):18-01 and 19-99

(54) Title: ELECTRONIC CALCULATOR

(73) Owner(s): CASIO KEISANKI KABUSHIKI KAISHA D.B.A. CASIO COMPUTER CO.,LTD 6-2,HON -MACHI 1-CHOME, SHIBUYA-KU TOKYO,151-8543, Japan

(24) Registration extended up to: 04/01/2024

.....

11.0 Trade Marks

11.1 Applications accepted for registration

NOTICE is given that any person who has grounds of opposition to the Registration of any of the trade marks advertised herein according to these classes may within sixty (60) days from the date of this Journal, lodge a notice of opposition on form TM. No. 6 (in duplicate) together with a fee of Ksh.5,000/= (local opponent) or US\$ 250 (foreign opponent). The period of lodging the notice of opposition may be extended by the Registrar as he deems fit and upon such terms as he may direct. Any request for such extension should be made to the Registrar to reach him before the expiry of the period allowed.

Formal opposition should not be lodged until after a reasonable notice has been given in writing to the applicant for registration to afford him any opportunity of withdrawing his application before the expense of preparing the notice of opposition is incurred. Failure to give such notice will be taken into account in considering any application by an opponent for an order for costs if the opposition is uncontested by the applicant.

Representations of the marks advertised herein can be seen at the Trade Marks Registry, Kenya Industrial Property Institute, KIPi Centre, Kabarsiran Avenue Off Waiyaki Way, Lavington, Nairobi.

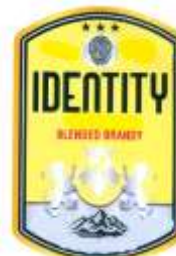
(210): 72712 (220): 29/09/2011

(300): None (511): 30(Flour and preparations made from cereals) and 31(Animal feeds.) (526): Registration of this mark shall give no right to the exclusive use of the devices of a "maize cob" and "wheat" each separately and apart from the mark as a whole. (730): PAUL WAWERU MAABI of P. O. Box 10526 - 00200, Nairobi, Kenya (740): None



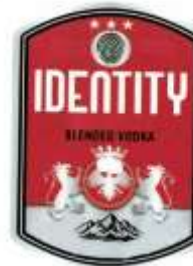
(210): 72871 (220): 07/10/2011

(300): None (511): 33(Alcoholic drinks.) (526): Registration of this mark shall give no right to the exclusive use of the words "BLENDED", "BRANDY" and the device of "STARS" each separately and apart from the mark as a whole. (730): TWO COUSINS DISTILLERS LIMITED of P. O. Box 2273 - 01000, Thika, Kenya (740): None



(210): 87573 (220): 27/05/2015

(300): None (511): 33(Gin, brandy, vodka and whisky.) (526): Registration of this mark shall give no right to the exclusive use of the words "BLENDED", "VODKA" and the device of "STARS" each separately and apart from the mark as a whole. (730): TWO COUSINS DISTILLERS LIMITED of P. O. Box 2273 - 01000, Thika, Kenya (740): None



ZITHO

(210): 103422 (220): 07/08/2018

(300): None (511): 5(Pharmaceuticals) (526): None (730): SAI PHARMACEUTICALS LIMITED of P. O. Box 66551 - 00800, Nairobi, Kenya (740): None

(210): 105586 (220): 21/01/2019

(300): None (511): 30(Noodles) (526): Registration of this mark shall give no right to the exclusive use of the words 'AFRI' and "NOODLES" each separately and apart from the mark as a whole (730): YEMKEN TRADING COMPANY LIMITED of P. O. Box 12345 - 00100, Nairobi, Kenya (740): None

AFRI - NOODLES

(210): 109047 (220): 05/09/2019

(300): None (511): 29(Fresh/frozen fish) (526): Registration of this mark shall give no right to the exclusive use of the word "FISH" and the device of a "FISH" each separately and apart from the mark as a whole. (730): KENCHIC LIMITED of P.O. Box 20052, 00200, NAIROBI, Kenya (740): Kaplan & Stratton Advocates of P. O. Box 40111 - 00100, Nairobi, Kenya



(210): 110725 (220): 24/01/2020

(300): None (511): 5(Pharmaceuticals) (526): None (730): Prunus Pharma Limited of P. O. BOX 26720 - 00504, Nairobi, Kenya (740): None

BYOFER

(210): 110728 (220): 24/01/2020

(300): None (511): 5(Pharmaceuticals) (526): None (730): Prunus Pharma Limited of P.O. BOX 26720 - 00504, Nairobi, Kenya (740): None

SURDEX

(210): 112160 (220): 28/05/2020

(300): None (511): 5(Pharmaceuticals.) (526): None (730): The Vitamins Company of P. O. Box 18723 - 00100, Nairobi, Kenya (740): None

LACTIGOL

(210): 113533 (220): 27/08/2020

(300): None (511): 3(Soap; medicated soap; cleaning preparations; perfumery; essential oils; deodorants and antiperspirants; hair care preparations; shampoos and conditioners; hair colourants; hair styling products; non-medicated toilet preparations; bath and shower preparations; skin care preparations; oils, creams and lotions for the skin; shaving preparations; pre-shave and aftershave preparations; cologne; depilatory preparations; sun-tanning and sun protection preparations; cosmetics; make-up and make-up removing preparations; petroleum jelly; lip care preparations; talcum powder; cotton wool for cosmetic purposes; cotton sticks for cosmetic purposes; tissues, pads or wipes impregnated or pre-moistened with personal cleansing or cosmetic lotions; beauty masks, facial packs) (526): None (730): UNILEVER PLC of Port Sunlight, Wirral, Merseyside England CH62 4ZD, England (740): Kaplan & Stratton Advocates of P. O. Box 40111 - 00100, Nairobi, Kenya

GLOW & LOVELY

(210): 115941 (220): 10/02/2021

(300): None (511): 30(Coffee, tea, cocoa and artificial coffee; rice; tapioca and sago; flour and preparations made from cereals; bread, pastries and confectionery; edible ices; sugar, honey, treacle; yeast, baking-powder; salt; mustard; vinegar, sauces (condiments); spices; ice) (526): Registration of this trademark shall give no right to the exclusive use of the words "SEMOLINA (Sooji/Rava)" separately and apart from the mark as a whole. (730): BAKEX MILLERS LTD of P.O Box 25 - 01000, Thika, Kenya (740): Coulson Harney Advocates of P. O. Box 10643 - 00100, Nairobi, Kenya



(210): 116602 (220): 29/03/2021

(300): None (511): 12(Vehicles; apparatus for locomotion by land, air or water.), 16(Paper, cardboard and goods made from these materials, not included in other classes; printed matter; bookbinding material; photographs; stationery; adhesives for stationery or household purposes; artists' materials; paint brushes; typewriters and office requisites (except furniture); instructional and teaching material (except apparatus); plastic materials for packaging (not included in other classes); printers' type; printing blocks.), 35(Advertising; business management; business administration; office functions), 9(Transport; packaging and storage of goods; travel arrangement),

MTALII BUSH PALACE

41(Education; providing of training; entertainment; sporting and cultural activities), 42(Scientific and technological services and research and design relating thereto; industrial analysis and research services; design and development of computer hardware and software) and 43(Services for providing food and drink; temporary accommodation) **(526)**: Registration of this mark shall give no right to the exclusive use of the words "MTALII" and "PALACE" each separately and apart from the mark as a whole. "MTALII" is a Swahili word which means "TOURIST" in English. **(730)**: STAREHE AFRICA LUXURY COLLECTION LIMITED of P.O. BOX 64787 - 00620, NAIROBI, Kenya **(740)**: None

(210): 116603 **(220)**: 29/03/2021

(300): None **(511)**: 12(Vehicles; apparatus for locomotion by land, air or water.), 16(Paper, cardboard and goods made from these materials, not included in other classes; printed matter; bookbinding material; photographs; stationery; adhesives for stationery or household purposes; artists' materials; paint brushes; typewriters and office requisites (except furniture); instructional and teaching material (except apparatus); plastic materials for packaging (not included in other classes); printers' type; printing blocks.), 25(Clothing, footwear, headwear.), 32(Beers; non-alcoholic beverages; mineral and aerated waters; fruit beverages and fruit juices; syrups and other non-alcoholic preparations for making beverages.), (Advertising; business management; business administration; office functions), 39(Transport; packaging and storage of goods; travel arrangement), 41(Education; providing of training; entertainment; sporting and cultural activities), 42(Scientific and technological services and research and design relating thereto; industrial analysis and research services; design and development of computer hardware and software) and 43(Services for providing food and drink; temporary accommodation) **(526)**: None "JABO JABO" does not originate from any language and does not have any English translation **(730)**: BONFIRE ADVENTURES & EVENTS LIMITED of P. O. Box 64787 - 0620, Nairobi, Kenya **(740)**: None

(210): 118113 **(220)**: 02/07/2021

(300): None **(511)**: 37(Building construction and repair.) **(526)**: None **(730)**: Mr. Giuseppe Moscarino of Giuseppe Motta 28, 6900 Lugano, Switzerland **(740)**: Iseme, Kamau & Maema Advocates of P. O. Box 11866 - 00400, Nairobi, Kenya



(210): 118456 **(220)**: 29/07/2021

(300): None **(511)**: 44(Medical services; veterinary services; hygienic and beauty care for human beings or animals; agriculture, aquaculture, horticulture and forestry services.) **(526)**: Registration of this mark shall give no right to the exclusive use of the words "JANI", "BEAUTY", "SPA" and the device of "Leaves" separately and apart from the mark as a whole. "JANI" is a Swahili word that translates into "LEAF" in English **(730)**: SERENITY SPA LIMITED of P.O. Box 1934 - 00621, Nairobi, Kenya **(740)**: Walker Kontos Advocates of P. O. Box 60680 - 00200, Nairobi, Kenya



(210): 118542 **(220)**: 02/08/2021

(300): None **(511)**: 5(Pharmaceuticals.) **(526)**: None **(730)**: Prunus Pharma Limited of P.O.Box 26720 - 00504, Nairobi, Kenya **(740)**: None

LYIZAR

(210): 119237 **(220):** 14/09/2021

(300): None **(511):** 30(Chocolates, biscuits(all types), cakes, pasta, macaroni, noodles, instant noodles, spaghetti, vermicelli, yeast, baking powder and other bakery ingredients, salad dressings, mayonnaise, vinegar, ketchup and sauces(condiments), ready to cook the dough products, frozen dough, frozen parathas, ice creams, non-dairy frozen desserts, frozen fruit desserts, ice desserts, coffee, tea, cocoa, sugar, rice, tapioca, sago, artificial coffee, bread, pastry, treacle, salt, mustard, flour made from cereals, spices, food beverages (Grain-based and Herbal), gravels, herbal tea, honey, popcorn.)

(526): The Arabic characters are a transliteration of 'TIFFANY KICK OFF'. **(730):** INTERNATIONAL FOODSTUFFS CO. LLC. of AL-Wahda Street, Industrial Area No. 1, P. O. Box 4115 Sharjah, United Arab Emirates **(740):** Talal Abu-Ghazaleh Intellectual Property of P. O. Box 20140 - 00100, Nairobi, Kenya

TIFFANY KICK OFF

تيفاني كيك أف

(210): 119324 **(220):** 21/09/2021

(300): None **(511):** 35(Consultancy services relating to the administration and management of restaurants and bars; business management of restaurants and bars; restaurant management for others; public relations and marketing services; advertising services relating to restaurants and bars; business advisory services relating to the running of restaurants; business advisory services relating to the setting up of restaurants; business management of restaurants; business management assistance in the operation of restaurants; business management assistance in the establishment and operation of restaurants; business advice relating to restaurant franchising; procurement services for restaurants, namely, purchasing furniture and fixtures for others; supply chain management services; arranging and conducting of business office functions, business conferences, business conventions, business exhibitions, and business meetings.) and 43(Services for providing food and drink, cafe and coffee bar services, food and drink preparation services, food and drink takeaway services, restaurant services, fast-food restaurant services, quick service restaurant services, self-service restaurant services, snack bars, restaurant and bar services including kiosk and take-away, providing prepared meals, preparation of foodstuffs or meals for consumption on or off the premises.)

(526): Registration of this mark shall give no right to the exclusive use of the words 'URBAN' and 'EATERY' each separately and apart from the mark as a whole. **(730):** URBAN EATERY LIMITED of P. O. BOX 66200, NAIROBI, Kenya **(740):** MUTHONI ADVOCATES of P. O. Box 28397 - 00200, Nairobi

URBAN EATERY

(210): 120343 **(220):** 01/12/2021

(300): None **(511):** 30(beverages with coffee cocoa chocolate or tea base.) **(526):** Registration of this mark shall give no right to the exclusive use of the word 'coffee' 'coffee beans' and 'steaming coffee' each separately and apart from the mark as a whole. **(730):** UTAKO COFFEE LIMITED of P. O.Box 61185-00200, Blue Bells Gardens s05, Beijing Road, off Mombasa Road, Nairobi, Kenya **(740):** None

Utako
Coffee

(210): 121258 (220): 09/02/2022

(300): None (511): 3(Bleaching preparations and other substances for laundry use; cleaning, polishing, scouring and abrasive preparations; fabric softeners; soaps; soap for brightening textile; laundry starch; fragrant potpourris. also in sachets, for laundry use; scented water; deodorants for personal use; products for hand washing.) (526): Registration of this mark shall give no right to the exclusive use of the device of 'HUMAN BEING' per se separately and apart from the mark as a whole. (730): H.K EMPIRE LIMITED of P. O. Box 1320, Embu, Kenya (740): None



(210): 122960 (220): 24/06/2022

(300): None (511): 1(Chemicals for use in industry, science and photography, as well as in agriculture, horticulture and forestry; Unprocessed artificial resins, unprocessed plastics; Fire extinguishing and fire prevention compositions; tempering and soldering preparations; Substances for tanning animal skins and hides; Adhesives for use in industry; Putties and other paste fillers; Compost, manures, fertilizers; Biological preparations for use in industry and science.) and 16(Paper and cardboard; Printed matter; Bookbinding material; Photographs; Stationery and office requisites, except furniture; Adhesives for stationery or household purposes; Drawing materials and materials for artists; Paintbrushes; Instructional and teaching materials; Plastic sheets, films and bags for wrapping and packaging; Printers' type, printing blocks.) (526): Registration of this trademark shall give no right to the exclusive use of the "Device of a Tube" generally and apart from the mark as a whole. (730): Alteco Chemical Pte Ltd of 19, Tuas Avenue 11, Singapore 639084, Singapore (740): Coulson Harney Advocates of P. O. Box 10643 - 00100, Nairobi, Kenya



(210): 123363 (220): 22/07/2022

(300): None (511): 36(Real estate.) (526): Registration of this mark shall give no right to the exclusive use of the words "RIDGES", "AFFORDABLE", "SMART", "LIVING" letter "R" and the device of the "roof" each separately and apart from the mark as a whole. (730): RIVERLINE RIDGES of P.O. BoX 7075 - 00100, Thika, Kenya (740): None



(210): 123432 (220): 26/07/2022

(300): None (511): 31(Animal foodstuffs; plants; trees; grains [cereals], malt for brewing and distilling; live animals; vegetables, fresh; aromatic sand [litter] for pets; beverages for pets and sanded paper [litter] for pets.) (526): None (730): YANTAI CHINA PET FOODS CO., LTD of No.8 Puchang Road, Laishan Economic Development Zone, Yantai, Shandong, China (740): SIMBA & SIMBA ADVOCATES of P. O. Box 10312 - 00100 Nairobi



(210): 123433 (220): 26/07/2022

(300): None (511): 31(Animal foodstuffs; plants; trees; grains [cereals], malt for brewing and distilling; live animals; vegetables, fresh; aromatic sand [litter] for pets; beverages for pets and sanded paper [litter] for pets.) (526): None (730): YANTAI CHINA PET FOODS CO., LTD of No.8 Puchang Road, Laishan Economic Development Zone, Yantai, Shandong, China (740): SIMBA & SIMBA Advocates of P. O. Box 10312 - 00100, Nairobi



(210): 124581 (220): 18/10/2022
 (300): None (511): 5(Herbicides, fungicides, pesticides.) (526):
 Registration of this mark shall give no right to the exclusive use
 of the letters "W", "G" and the numerals "4" and "0" each
 separately and apart from the mark as a whole. (730): DVA Agro
 East Africa LTD of Spur Mall, Along Thika Superhighway, 2nd Flr,
 Office NO. S20, Ruiru 00232, Kenya (740): NDUNGU NJOROGE &
 KWACH ADVOCATES of P. O. Box 41546 - 00100, NAIROBI

BARIS 400 WG

(210): 124711 (220): 26/10/2022
 (300): None (511): 4(Manufacturers, Wholesalers, Retailers,
 and Distributors of Candles.) (526): Registration of this mark
 shall give no right to the exclusive use of the words
 'MWANGAZA', 'PREMIUM', 'WHITE', 'CANDLES', numerals '2', '3', '9'
 and the device of a 'HOUSE' and the 'HEAD OF A LION' each
 separately and apart from the mark as a whole. English
 translation of the words 'MAHITAJI': REQUIREMENTS,
 'MWANGAZA': BRIGHTNESS (730): NAPRO INDUSTRIES LIMITED of
 P. O. BOX 392 - 00606, NAIROBI, Kenya (740): SHAH AND SHAH
 ADVOCATES of P. O. BOX 45839 - 00100, NAIROBI



(210): 124740 (220): 26/10/2022
 (300): None (511): 29(Tomato paste) (526): None (730):
 YEMKEN TRADING COMPANY of P. O. Box 2031 - 00200, NAIROBI,
 Kenya (740): None

REDSUN

(210): 124932 (220): 04/11/2022
 (300): None (511): 37(Garage services for maintenance of
 vehicles) (526): None (730): ACTIVE TECH SYTEMS LIMITED of P.
 O. Box 4747 - 00200, Nairobi, Kenya (740): None

AZEM KENYA

(210): 125321 (220): 23/11/2022
 (300): None (511): 30(Maize flour, foodstuff of plant origin.)
 (526): Registration of this mark shall give no right to the
 exclusive use of the words 'MAIZE' and 'MEAL' each separately
 and apart from the mark as a whole. RADHA is a kiswahili word
 that means Appease in English. (730): BUILDER MILLERS LIMITED
 of P. O. BOX 990, NAIROBI, Kenya (740): None

RADHA MAIZE MEAL

(210): 125322 (220): 23/11/2022
 (300): None (511): 30(Maize flour, foodstuff of plant origin)
 (526): Registration of this mark shall give no right to the
 exclusive use of the words "MAIZE" and "MEAL" each separately
 and apart from the mark as a whole. Karaha is a kiswahili word
 that translates to excess fun in English. (730): BUILDER MILLERS
 LIMITED of P. O. BOX 990, NAIROBI, Kenya (740): None

KARAH MAIZE MEAL

(210): 125326 (220): 23/11/2022
 (300): None (511): 36(Financial transactions and payment
 services - cash agent) (526): Registration of this mark shall give
 no right to the exclusive use of the letter 'S' separately and
 apart from the mark as a whole. (730): SIMON'S PICE LIMITED of
 P. O. BOX 11963 - 00100, BUILDING 136 MANYANI EAST ROAD,
 WESTLANDS DISTRICT, NAIROBI, Kenya (740): None



(210): 125664 (220): 14/12/2022
 (300): None (511): 16(Toilet tissue, Serviette) (526): None
 (730): LATERAL DYNAMICS LTD of P. O BOX 16679 - 00100,
 NAIROBI, Kenya (740): None

LELKET

(210): 125665 (220): 14/12/2022
 (300): None (511): 16(Toilet tissue) (526): None (730):
 LATERAL DYNAMICS LTD of P. O BOX 16679 - 00100, NAIROBI,
 Kenya (740): None

PLUMESOF

(210): 125666 (220): 14/12/2022
 (300): None (511): 16(Toilet tissue, Serviette) (526): None
 (730): LATERAL DYNAMICS LTD of P. O BOX 16679 - 00100,
 NAIROBI, Kenya (740): None

GREYSOF

210): 125777 **(220):** 21/12/2022

(300): None **(511):** 9(Computer software for adaptive radiotherapy. treatment planning and patient monitoring; Computer software for evaluating treatment results; Computer software for adapting treatment plans; Computer software for managing patient medical and treatment information; Computer software for medical imaging apparatus; Computer software for use in managing and controlling apparatus for delivering radiotherapy treatment and patient monitoring; Computer software for the creation or transmission of images or data relating to radiotherapy treatment; Software for the capture. storage. logging and evaluation of radiation data.), 10(Adaptive radiotherapy medical apparatus and systems. used for adaptive diagnostic. therapeutic and radiographic purposes. medical charged particle accelerators used in radiotherapy and radiosurgery and computer software embedded therein for use in the fields of radiotherapy and radiosurgery; Adaptive treatment planning. patient positioning. patient immobilization and motion management tool and imaging apparatus; Radiotherapy treatment devices used for treatment planning and adaptive treatment planning; Radiotherapy treatment devices used for delivery of modulated doses of radiation to a volume in a body.), 42(Providing online non downloadable software for collecting. accessing. managing. maintaining. analyzing, displaying, sharing and adapting medical information, patient data, and patient treatment information; Providing online non downloadable software for use in formulating medical diagnoses and developing, adapting and facilitating medical treatment plans; Providing online non downloadable software for medical imaging apparatus; Providing online non downloadable software for adaptive oncology treatment and patient care data management and analytics; providing online non downloadable software for use with oncology treatment devices and for creating and facilitating adaptive oncology treatment plans; consulting services in the field of hosting computer software applications; providing technical support services, namely, troubleshooting of computer hardware and software problems and providing solutions to the problems.) and 44(Clinical medical services, namely, radioactive material measurement, calculation of dosing delivered to patients treated with radiation, and consultation with and providing treatment planning services to radiation oncologists.) **(526):** None **(730):** VARIAN MEDICAL SYSTEM, INC of 3100 Hansen Way, Palo Alto, California 94304, United States of America **(740):** MESSRS J.K. MUCHAE & COMPANY of P. O. Box 60664 - 00200, Nairobi

(210): 125782 **(220):** 21/12/2022

(300): None **(511):** 10(Medical linear accelerators used in radiotherapy and computer software embedded therein for use in the field of radiotherapy, sold as a unit; medical single-energy linear accelerators for use in radio surgery and radiotherapy; medical apparatuses, systems and processes for locating and targeting volumes in a body; Medical apparatus and systems for patient positioning in connection with radiotherapy treatment, patient imaging and diagnosis.) **(526):** None **(730):** VARIAN MEDICAL SYSTEM, INC of 3100 Hansen Way, Palo Alto, California 94304, United States of America **(740):** MESSRS J.K. MUCHAE & COMPANY of P. O. Box 60664 - 00200, Nairobi

ETHOS

UNIQUE

AWS GRAVITON

(210): 125879 (220): 03/01/2023

(300): None (511): 9(Computer hardware specifically designed to facilitate the delivery of cloud computing services, namely, semiconductors, computer chips, integrated circuits, central processing units, electronic circuits and microprocessors; computer chips; computer central processing units; circuit boards; electronic circuit cards; integrated circuit modules; downloadable computer software for use in the operation of semiconductors, computer chips, and central processing units; downloadable computer software development tools; downloadable computer software for developing computer hardware; downloadable computer firmware and software for use in the operation of semiconductors, computer chips, and central processing units; computer software used for advanced cloud computing functions in the nature of optimizing power, performance and cost for cloud computing services, and delivering cloud computing services at scale; computer hardware used for advanced cloud computing functions in the nature of optimizing power, performance and cost for cloud computing services, and delivering cloud computing services at scale; downloadable computer software for operation, management and control of computer chips, central processing units and microprocessors.), 40(Custom manufacture of computer hardware, including semiconductors, computer chips, integrated circuits, and central processing units; manufacturing electric and electronic components for others.) and 42(Computer hardware engineering services; design of semiconductors, integrated circuits, computer chips and central processing units for others; Providing temporary use of non-downloadable cloud computing software for use with operating and running computer hardware for optimizing power, performance and cost for cloud computing services, and delivering cloud computing services at scale.) **(526):** Registration of this trademark shall give no right to the exclusive use of the letters "A","S" and "W" each separately and apart from the mark as a whole. **(730):** Amazon Technologies, Inc. Corporation Nevada, United States of 410 Terry Ave N, Seattle Washington 98109, United States of America **(740):** CFL ADVOCATES of P.O. Box 23555 - 00100, Nairobi, Kenya

(210): 126057 (220): 19/01/2023

(300): None (511): 32(Beers) **(526):** Registration of this mark shall give no right to the exclusive use of the word "LIGHT" separately and apart from the mark as a whole. **(730):** SAN MIGUEL BREWING INTERNATIONAL LIMITED a limited liability company duly organized and existing under the laws of British Virgin Islands, of 9/F Citimark Building, 28 Yuen Shun Circuit, Siu Lek Yuen, Sha Tin, N.T., Hong Kong **(740):** CFL ADVOCATES of P. O. Box 23555 - 00100, Nairobi, Kenya



(210): 126058 (220): 19/01/2023

(300): None (511): 32(Beers) **(526):** Registration of this mark shall give no right to the exclusive use of the words "PALE", "PILSEN", the numerals "0", "1","8" and "9" each separately and apart from the mark as a whole. **(730):** SAN MIGUEL BREWING INTERNATIONAL LIMITED a limited liability company duly organized and existing under the laws of British Virgin Islands, of 9/F Citimark Building, 28 Yuen Shun Circuit, Siu Lek Yuen, Sha Tin, N.T., Hong Kong **(740):** CFL ADVOCATES of P. O. Box 23555 - 00100, NAIROBI, Kenya



(210): 126059 (220): 19/01/2023

(300): None (511): 32(Beers) (526): Registration of this mark shall give no right to the exclusive use of the word "LIGHT" separately and apart from the mark as a whole. (730): SAN MIGUEL BREWING INTERNATIONAL LIMITED a limited liability company duly organized and existing under the laws of British Virgin Islands, of 9/F Citimark Building, 28 Yuen Shun Circuit, Siu Lek Yuen, Sha Tin, N.T., Hong Kong (740): CFL ADVOCATES of P. O. Box 23555 - 00100, NAIROBI, Kenya

SAN MIG LIGHT

(210): 126126 (220): 23/01/2023

(300): None (511): 5(Pharmaceuticals.) (526): None (730): Krishna Chemists LTD a limited liability company duly incorporated under the laws of Kenya of P. O. Box 3328 - 00506, Nairobi, Kenya (740): None

PEGFLAX

(210): 126426 (220): 10/02/2023

(300): None (511): 5(Pharmaceuticals) (526): None (730): GALAXY PHARMACEUTICAL LIMITED of P. O. BOX 39107 - 00623, Nairobi, Kenya (740): None

TRI COFF

(210): 126694 (220): 28/02/2023

(300): None (511): 30(Tea) (526): Registration of this mark shall give no right the exclusive use of the word "MUYOTU" separately and apart from the mark as a whole. (730): NOVATUS LIMITED of P. O BOX 203 - 00517 NAIROBI, NAIROBI, KENYA, Kenya (740): None



(210): 126958 (220): 17/03/2023

(300): None (511): 36(Financial affairs, insurance, monetary affairs, and real estate affairs.) (526): Registration of this mark shall give no right to the exclusive use of the words "PAY" and "PRO" each separately and apart from the mark as a whole. (730): MWANANCHI TECHNOLOGIES LIMITED of P. O. BOX 34776 - 00100, NAIROBI, Kenya (740): None



(210): 127209 (220): 04/04/2023

(300): None (511): 35(Advertising, marketing and promotional services, organization of commercial trade affairs and exhibitions and business management services.), 38(Telecommunication services including but not limited to radio and television broadcasting, video on demand transmission, provision of internet chatrooms and online forums, telephone and voice mail services and teleconferencing and video conferencing services.) and 41(Online/digital learning, educational and training services offering agricultural information and other related information and publication of books and texts.) (526): None (730): KAKUZI PLC, of P.O. BOX 24 - 01000, THIKA, Kenya (740): KAPLAN & STRATTON ADVOCATES of P. O. Box 40111 - 00100, NAIROBI, Kenya

KAKUZI

(210): 127306 (220): 12/04/2023

(300): None (511): 30(Foodstuffs of plant origin, except fruits and vegetables, prepared or preserved for consumption, as well as auxiliaries intended for the improvement of the flavour of food.) (526): Registration of this mark shall give no right to the exclusive use of words "Two", "Lions", "Original", "Genuine", "Curry", "Power" and "a device of a lion", the descriptive terms (in English and their translations) each separately and apart from the mark as a whole. Simba Mbili is a Kiswahili word that translates to "Two Lions" in English. The word "Virani" has no English translation. It is a surname of the family who started the brand.(730): RE-SUNS SPICES LIMITED of P. O. Box 63341 - 00619, Nairobi, Kenya (740): Coulson Harney Advocate of P.O.Box 10643 - 00100, Nairobi, Kenya



(210): 127307 **(220):** 12/04/2023
(300): None **(511):** 30(Foodstuffs of plant origin, except fruits and vegetables, prepared or preserved for consumption, as well as auxiliaries intended for the improvement of the flavour of food.) **(526):** Registration of this mark shall give no right to the exclusive use of the words "Two", "Lions", "Original", "Genuine", "curry", "Powder" and "a device of a lion", descriptive terms (in English and their translations) each separately and apart from the mark as a whole. Translation of the Swahili word "Simba Mbili" into English is "Two Lions" **(730):** RE-SUNS SPICES LIMITED of P. O. Box 63341 - 00619, Nairobi, Kenya **(740):** COULSON HARNEY ADVOCATES of P. O. Box 10643 - 00100, Nairobi, Kenya



(210): 127394 **(220):** 18/04/2023
(300): None **(511):** 40(Processing and recycling of waste and trash) **(526):** Registration of this trademarks shall give no right to the prefix "ECO"; the letter "O" per see; the device of the "LEAF", each separately and apart from the mark as a whole **(730):** TAKA TAKA NI MALI of P. O. Box 15518 - 005090, Maji Mazuri Road, 733, Lavington, Nairobi, Kenya **(740):** None



(210): 127428 **(220):** 20/04/2023
(300): None **(511):** 9(Connections for electric lines; batteries, electric; headphones; chargers for electric batteries; cases for smartphones; cabinets for loudspeakers; smart hones; USB flash drives; holders for electric coils; earphones) **(526):** None **(730):** SHENZHEN YinChen TECHNOLOGY CO., LTD of 198, No.1034 Huaqiang North Rd, SaiGe Industrial Building, No. 1034 Huaqiang North Rd, Fuqiang Community, Huaqiang North St, Futian, Shenzhen, China **(740):** Iseme Kamau & Maema Advocates of P. O. BOX 11866-00400, Nairobi, Kenya



(210): 127429 **(220):** 20/04/2023
(300): None **(511):** 33(Brandy; cognac) **(526):** Registration of this mark shall give no right to the exclusive use of the word "ROYAL" separately and apart from the mark as a whole. **(730):** SIRE SPIRITS LLC of 22 Hudson, 2nd Floor, Hoboken, New Jersey 07030, United States of America **(740):** Coulson Harney Advocates of P. O. Box 10643 - 00100, Nairobi, Kenya



(210): 127433 **(220):** 20/04/2023
(300): None **(511):** 7(Machines for use in agriculture, compaction, construction, cleaning, defence, demolition, earth conditioning, earth contouring, earth moving, forestry, landscaping, lifting, marine propulsion, material handling, material scrapping, mining, mulching, oil and gas distribution, oil and gas exploration and oil and gas production; machines for use in quarrying, paving, pipelaying, power generation, road building and repair, site preparation and remediation, transportation, vegetation management, waste management, air and space exploration; machine tools, power operated tools: motors and engines, except for land vehicles; machine coupling and transmission components, except for land vehicles; generators; alternators; electric construction machines; excavators; loaders [machines]; and parts, fittings and components for all the aforesaid goods.), 9(Scientific, research, navigation, surveying, photographic, cinematographic, audiovisual, optical, weighing, measuring, signalling, detecting, testing, inspecting, lifesaving and teaching apparatus and instruments; apparatus and instruments for conducting, switching, transforming, accumulating, regulating or controlling the distribution or use of electricity; apparatus and instruments for recording, transmitting, reproducing or processing sound, images or data; recorded and downloadable media, computer software, blank digital or analogue recording and storage



media; mechanisms for coin-operated apparatus; cash registers, calculating devices; computers and computer peripheral devices; diving suits, divers' masks, ear plugs for divers, nose clips for divers and swimmers, gloves for divers, breathing apparatus for underwater swimming; fire-extinguishing apparatus; protective and safety equipment; computer software; electric wire, harnessing, gauges and switches; electronic displays; electronic connectors, terminals, and controls; circuit breakers; fuses; leveling rods; power inverters; electrical parts and fittings for land vehicles, machinery, and equipment, namely, amplifiers for wireless communications, antennas, and batteries; electric relays; radios; antennas; electric cables; converters; speakers; glasses; eyeglasses; sunglasses; mobile phones and tablets; solar panels for the production of electricity; batteries; battery chargers; chargers for electric batteries; cells [electric]; photovoltaic cells; battery charging equipment; charging stations for electric vehicles.), 12(Vehicles; apparatus for locomotion by land, air or water; land vehicles; electric vehicles; engines for land vehicles; trucks; loaders [fork-lift trucks]; dumper trucks; tractors; parts, fittings and components for all the aforesaid goods.) and 37(Repair, installation, servicing, and maintenance of vehicles, engines, equipment and machines for use in agriculture, compaction, construction, cleaning, defence, demolition, earth conditioning, earth contouring, earth moving, forestry, landscaping, lifting, marine propulsion, material handling, material scrapping, mining, mulching, oil and gas distribution, oil and gas exploration and oil and gas production; repair, installation, servicing, and maintenance of vehicles, engines, equipment and machines for use in quarrying, paving, pipelaying, power generation, road building and repair, site preparation and remediation, transportation, vegetation management, waste management, air and space exploration; machinery installation; rental of equipment, namely machines and machine tools for use in compaction, construction, cleaning, defence, demolition, earth conditioning, earth contouring, earth moving, landscaping, lifting, marine propulsion, material handling, material scrapping, mining, mulching, oil and gas distribution, oil and gas exploration and oil and gas production; rental of equipment, namely machines and machine tools for use in quarrying, paving, pipelaying, road building and repair, site preparation and remediation, transportation, waste management, air and space exploration; remanufacturing of vehicles; vehicle battery charging; charging of electric vehicles; charging of batteries and power storage devices, and rental of equipment therefore.) (526): None (730): CATERPILLAR INC. of 100 NE Adams Street, Peoria, Illinois 61629-9620, United States of America (740): COULSON HARNEY ADVOCATES of P. O. Box 10643 - 00100, Nairobi

(210): 127529 (220): 28/04/2023

(300): None (511): 5(Pharmaceutical and veterinary preparations; sanitary preparations for medical purposes; dietetic food and substances adapted for medical or veterinary use, food for babies; dietary supplements for humans and animals; plasters, materials for dressings; material for stopping teeth, dental wax; disinfectants; preparations for destroying vermin; fungicides, herbicides) (526): None (730): Pfizer Inc. An entity organized under the laws of Delaware of 66 Hudson Boulevard East, New York, NY 10001-2192, United States of America (740): KAPLAN & STRATTON ADVOCATES of P.O. BOX 40111 - 00100, NAIROBI

PENBRAYA

(210): 127531 (220): 28/04/2023
 (300): None (511): 5(Pharmaceutical preparations; medicinal preparations and substances) (526): None (730): Pfizer Inc. An entity organized under the laws of Delaware of 66 Hudson Boulevard East, New York, NY 10001-2192, United States of America (740): KAPLAN & STRATTON ADVOCATES of P. O. BOX 40111 - 00100, NAIROBI



MEGASTAR BRAID

(210): 127562 (220): 02/05/2023
 (300): None (511): 26(Hair additions, hair extensions, braids, weaves, wigs, wiglets) (526): Registration of this mark shall give no right to the exclusive use of the word 'Braids' separately and apart from the mark as a whole. (730): TOLARAM EAST AFRICA CONSUMER PRODUCTS LTD of P. O. Box 677 - 00600, Nairobi, Kenya (740): None

SAHARA BRAID

(210): 127563 (220): 02/05/2023
 (300): None (511): 26(Hair additions, hair extensions, braids, weaves, wigs, wiglets) (526): Registration of this mark shall give no right to the exclusive use of the word 'Braids' and 'Sahara' each separately and apart from the mark as a whole. (730): TOLARAM EAST AFRICA CONSUMER PRODUCTS LIMITED of P. O.Box 677-00606, Nairobi, Kenya (740): None

URBAN BRAID

(210): 127565 (220): 02/05/2023
 (300): None (511): 26(Hair additions, hair extensions, braids, weaves, wigs, wiglets) (526): Registration of this mark shall give no right to the exclusive use of the word 'Braid' separately and apart from the mark as a whole. (730): TOLARAM EAST AFRICA CONSUMER PRODUCTS LIMITED of P.O. BOX 677 - 00606, NAIROBI, Kenya (740): None

WIXIE

(210): 127566 (220): 02/05/2023
 (300): None (511): 26(Hair additions, hair extensions, braids, weaves, wigs, wiglets) (526): 'WIXIE' is a coined name (730): TOLARAM EAST AFRICA CONSUMER PRODUCTS LIMITED of P. O. BOX 677 - 00606, NAIROBI, Kenya (740): None

SHAHINA

(210): 127567 (220): 02/05/2023
 (300): None (511): 26(Hair additions, hair extensions, braids, weaves, wigs, wiglets) (526): None (730): TOLARAM EAST AFRICA CONSUMER PRODUCTS LIMITED of P. O. BOX 677 - 00606, NAIROBI, Kenya (740): None

KITO

(210): 127568 (220): 02/05/2023
 (300): None (511): 26(Hair additions, hair extensions, braids, weaves, wigs, wiglets) (526): Kito is a coined word (730): TOLARAM EAST AFRICA CONSUMER PRODUCTS LIMITED of P. O. BOX 677 - 00606, NAIROBI, Kenya (740): None

ARAFA

(210): 127569 (220): 02/05/2023
 (300): None (511): 26(Hair additions, hair extensions, braids, weaves, wigs, wiglets) (526): 'Arafa' is a female Swahili name that means 'Knowledgeable.' (730): TOLARAM EAST AFRICA CONSUMER PRODUCTS LIMITED of P. O. BOX 677 - 00606, NAIROBI, Kenya (740): None

GIGI

(210): 127570 (220): 02/05/2023
 (300): None (511): 26(Hair additions, hair extensions, braids, weaves, wigs, wiglets) (526): 'Gigi' is a coined word (730): TOLARAM EAST AFRICA CONSUMER PRODUCTS LIMITED of P. O. BOX 677 - 00606, NAIROBI, Kenya (740): None

SHANICE

(210): 127571 (220): 02/05/2023
 (300): None (511): 26(Hair additions, hair extensions, braids, weaves, wigs, wiglets) (526): None (730): TOLARAM EAST AFRICA CONSUMER PRODUCTS LIMITED of P. O. BOX 677 - 00606, NAIROBI, Kenya (740): None

<p>(210): 127572 (220): 02/05/2023 (300): None (511): 26(Hair additions, hair extensions, braids, weaves, wigs, wiglets) (526): The translation into English of the Kiswahili word 'Jasiri' is 'Couragious' (730): TOLARAM EAST AFRICA CONSUMER PRODUCTS LIMITED of P. O. BOX 677 - 00606, NAIROBI, Kenya (740): None</p>	JASIRI
<p>(210): 127573 (220): 02/05/2023 (300): None (511): 26(Hair additions, hair extensions, braids, weaves, wigs, wiglets) (526): None (730): TOLARAM EAST AFRICA CONSUMER PRODUCTS LIMITED of P. O. BOX 677 - 00606, NAIROBI, Kenya (740): None</p>	MARVEL
<p>(210): 127574 (220): 02/05/2023 (300): None (511): 26(Hair additions, hair extensions, braids, weaves, wigs, wiglets) (526): ZUENA' is a female Swahili name meaning 'Good' (730): TOLARAM EAST AFRICA CONSUMER PRODUCTS LIMITED of P. O. BOX 677 - 00606, NAIROBI, Kenya (740): None</p>	ZUENA
<p>(210): 127575 (220): 02/05/2023 (300): None (511): 26(Hair additions, hair extensions, braids, weaves, wigs, wiglets) (526): None (730): TOLARAM EAST AFRICA CONSUMER PRODUCTS LIMITED of P. O. BOX 677 - 00606, NAIROBI, Kenya (740): None</p>	SHANIZ
<p>(210): 127576 (220): 02/05/2023 (300): None (511): 26(Hair additions, hair extensions, braids, weaves, wigs, wiglets) (526): None (730): TOLARAM EAST AFRICA CONSUMER PRODUCTS LIMITED of P. O. BOX 677 - 00606, NAIROBI, Kenya (740): None</p>	POPPY
<p>(210): 127577 (220): 02/05/2023 (300): None (511): 26(Hair additions, hair extensions, braids, weaves, wigs, wiglets) (526): None (730): TOLARAM EAST AFRICA CONSUMER PRODUCTS LIMITED of P. O. BOX 677 - 00606, NAIROBI, Kenya (740): None</p>	SIENA
<p>(210): 127578 (220): 02/05/2023 (300): None (511): 26(Hair additions, hair extensions, braids, weaves, wigs, wiglets) (526): None (730): TOLARAM EAST AFRICA CONSUMER PRODUCTS LIMITED of P. O. BOX 677 - 00606, NAIROBI, Kenya (740): None</p>	ELLA
<p>(210): 127579 (220): 02/05/2023 (300): None (511): 26(Hair additions, hair extensions, braids, weaves, wigs, wiglets) (526): None (730): TOLARAM EAST AFRICA CONSUMER PRODUCTS LIMITED of P. O. BOX 677 - 00606, NAIROBI, Kenya (740): None</p>	RIVER SPRING
<p>(210): 127580 (220): 02/05/2023 (300): None (511): 26(Hair additions, hair extensions, braids, weaves, wigs, wiglets) (526): None (730): TOLARAM EAST AFRICA CONSUMER PRODUCTS LIMITED of P. O. BOX 677 - 00606, NAIROBI, Kenya (740): None</p>	FREYA
<p>(210): 127581 (220): 02/05/2023 (300): None (511): 26(Hair additions, hair extensions, braids, weaves, wigs, wiglets) (526): None (730): TOLARAM EAST AFRICA CONSUMER PRODUCTS LIMITED of P. O. BOX 677 - 00606, NAIROBI, Kenya (740): None</p>	EMILY
<p>(210): 127582 (220): 02/05/2023 (300): None (511): 26(Hair additions, hair extensions, braids, weaves, wigs, wiglets) (526): None (730): TOLARAM EAST AFRICA CONSUMER PRODUCTS LIMITED of P. O. BOX 677 - 00606, NAIROBI, Kenya (740): None</p>	QUINN

(210): 127583 **(220):** 02/05/2023

(300): None **(511):** 26(Hair additions, hair extensions, braids, weaves, wigs, wiglets) **(526):** None **(730):** TOLARAM EAST AFRICA CONSUMER PRODUCTS LIMITED of P. O. BOX 677 - 00606, NAIROBI, Kenya **(740):** None

RONNIE

(210): 127595 **(220):** 02/05/2023

(300): None **(511):** 9(Downloadable computer software for use in searching, indexing, organizing, managing, processing, storing, retrieving, analyzing, and reporting information and data; downloadable computer software for collecting, managing, searching, and viewing records of transactions or activities on computer systems; downloadable computer software for performing analytics on and monitoring application performance of proprietary and open source software applications; downloadable computer software, namely, software for enabling artificial intelligence and machine learning.) and 42(Providing online non-downloadable software for use in searching, indexing, organizing, managing, processing, storing, retrieving, analyzing, and reporting information and data; providing online non-downloadable software for collecting, managing, searching, and viewing records of transactions or activities on computer systems; providing online non-downloadable software for performing analytics on and monitoring application performance of proprietary and open source software applications; technical support, namely, installation, administration, and troubleshooting of software applications; cloud computing services.) **(526):** The application is restricted to the colours Yellow, Pink, Green, Light Blue, Dark Blue, Turquoise **(730):** ELASTICSEARCH B.V. of Keizersgracht 281, 1016 ED Amsterdam, Netherlands **(740):** KAPLAN & STRATTON ADVOCATES of P. O. BOX 40111 - 00100, NAIROBI



(210): 127659 **(220):** 05/05/2023

(300): None **(511):** 1(Fertilizer, foliar feeds, plant supplements.) **(526):** None **(730):** GROWMATE KENYA LTD of P.O. BOX 15962 - 00509, NAIROBI, Kenya **(740):** None

GROWKING

(210): 127661 **(220):** 05/05/2023

(300): None **(511):** 1(Fertilizer, foliar feeds, plant supplements.) **(526):** Registration of this mark shall give no right to the exclusive use of the word "GUARD" separately and apart from the mark as a whole **(730):** GROWMATE KENYA LTD of P.O. BOX 15962 - 00509, NAIROBI, Kenya **(740):** None

SOFTGUARD

(210): 127697 **(220):** 09/05/2023

(300): None **(511):** 30(Yeast; yeast extracts; yeast products for food; yeast conditioners; leaven; baking powder; bread improvers; bread mixes; flatbread improvers including tortilla improvers; flour and preparations made from cereals.) **(526):** None **(730):** AB MAURI TECHNOLOGY PTY LIMITED of Level 2, Building A, 11 Talavera Rd, NORTH RYDE NSW 2113, Australia **(740):** KAPLAN & STRATTON ADVOCATES of P.O. Box 40111 - 00100, Nairobi



(210): 127738 **(220):** 10/05/2023

(300): None **(511):** 9(Scientific, nautical, surveying, photographic, cinematographic, optical, weighing, measuring, signalling, checking (supervision), life-saving and teaching apparatus and instruments; apparatus and instruments for conducting, switching, transforming, accumulating, regulating or controlling electricity; apparatus for recording, transmission or reproduction of sound or images; magnetic data carriers, recording discs; compact discs, DVDs and other digital recording media; mechanisms for coin-operated apparatus; cash registers, calculating machines, data processing equipment, computers; computer software; fire-extinguishing apparatus.), 5(Advertising; business management; business administration; office functions.) and 42(Scientific and technological services and research and design relating thereto; industrial analysis and research services; design and development of computer hardware and software) **(526):** Registration of this trademark shall give no right to the exclusive use of the word "GLOBAL" each separately and apart from the mark as a whole. **(730):** DUBAI WORLD TRADE CENTRE LLC of P. O. Box 9292, Dubai, United Arab Emirates **(740):** CFL ADVOCATES of P.O. BOX 23555-00100, Nairobi

GLOBAL
DEV
SLAM

(210): 127787 **(220):** 12/05/2023

(300): None **(511):** 4(Industrial oils and greases; lubricants; dust absorbing, wetting and binding compositions; fuels (including motor spirit) and illuminants; candles and wicks for lighting) **(526):** Registration of this mark shall give no right to the exclusive use of the word 'Gas' and device of the 'Flame' each separately and apart from the mark as a whole. **(730):** SAPHIRE IMPORTEX of P. O. Box 5393 - 00200, Nairobi, Kenya **(740):** None

CITIZENS  GAS

(210): 127881 **(220):** 18/05/2023

(300): None **(511):** 4(Fuels (including motor spirit); biodiesel, in particular with a base of canola oil, canola oil; plant-based fuels and heating fuels and motor oils; pellets of compressed fiber manufactured from a plant crop or animal oils, each for use as fuels for electric or thermal production units; biogas, including from organic waste; electrical energy; electrical energy from wind power; electrical energy from solar power; electrical energy generated from hydropower; electrical energy from renewable sources), 9(Apparatus and instruments for conducting, switching, transforming, accumulating, regulating or controlling electricity, in particular electric and electronic apparatus and instruments and software for regulating, controlling and monitoring of solar, biogas, biomass, fuel cell, wind, hydropower and geothermal installations and solar-thermal installations; electrical and electronic control, and computer equipment and software for wind power plants, solar energy plants and biogas plants; counters and sensors for measuring electrical values; control and monitoring hardware and software for capturing and storing data relating to a wind power plant, a wind park, and a solar installation, solar park and the surroundings thereof; solar collectors and solar modules for electricity generation; photovoltaic apparatus for converting solar radiation to electrical energy; apparatus and instruments for accumulating and storing electricity; batteries, storage batteries; electric battery and accumulator systems for the storage, supply, transmission and stabilisation of electricity supplied from a power grid or other source of power generation; electric battery and accumulator systems for storage and supply of electricity for vehicles; data processing equipment, computers; computer software; software for risk management

 BayWa re.

and analysis; software for IT and data security for wind and solar parks; privacy software; computer databases; data protection devices for wind and solar parks and plants for the production of renewable energy; monitoring instruments; recorded content; parts and accessories as well as holders for all the aforesaid goods, included in this class.), 35(Import-export agencies in the field of energy; wholesaling and retailing, including online, of gas, in particular biogas; marketing of electricity and thermal energy; wholesaling and retailing, including online, for accumulators; wholesaling and retailing in relation to electromobility, in particular charging stations, charging columns, electric accumulators, chargers for electric batteries, automatic machines for distributing and providing electricity for charging electrically driven vehicles and bicycles, checking (supervision) and monitoring systems for securing vehicles; wholesaling and retailing in relation to electromobility, in particular data processing apparatus, computers computer software and application software (apps) for connecting electric vehicles to the energy system of a house, car park or service station, and for leasing electric vehicles; wholesaling and retailing in relation to parts for renewable energy production plants; concluding of contracts, including online, in connection with the generation of electricity and electricity supply; commercial and professional business services in connection with the trading of electricity and gas, including biogas, namely in connection with gas and electricity connection communities, marketing consultancy and/or energy connection management, load course optimisation, portfolio management, demand pooling and price negotiations; commercial consultancy in relation to the supply of gas and electricity; commercial consultancy in relation to the use of renewable energy, including consultancy in relation to the optimisation of energy generation with wind power, solar power and biogas plants; business and organisational consultancy for producers in the field of renewable energy, in particular with regard to location analysis, logistics, grid connection and network supply; arranging of energy contracts, in particular power purchase agreements, for others; arranging contracts with electricity suppliers, for others; concluding gas connection contracts, for others; advertising and market research for renewable energy concepts and new technologies in the environmental and energy sectors, business management and professional business consultancy in the context of franchising, business administration, professional business and organisational consultancy regarding the management, controlling and monitoring of companies; professional business planning and consultancy in the field of energy and heat supply; business consultancy, in particular professional business management, for others, in the field of energy supply; business start-up services for businesses in the energy sector (renewable energies); administrative management of wind farms and wind power plants; business management of solar parks and biogas plants; compilation of data and statistics relating to the operation of wind power plants and wind parks, solar power plants and solar parks as well as biogas plants; risk management consultancy [business] and business risk analysis, in particular, analysis and compilation of data to assist in identifying business risks; business consultancy and corporate consultancy, in particular in the context of business start-ups.), 36(Financial analysis and consultancy in the energy sector and in the field of e-mobility; financial analysis in the energy sector and in the field of e-mobility; financial information in the energy sector

and in the field of e-mobility; consultancy relating to corporate finance in the energy sector and in the field of e-mobility; financial management in the energy sector and in the field of e-mobility; financial planning in the energy sector and in the field of e-mobility; financial consultancy in the energy sector and in the field of e-mobility; financing and funding in the energy sector and in the field of e-mobility; financial investment advisory services in the energy sector and in the field of e-mobility; capital investment consultancy in the energy sector and in the field of e-mobility; investment services in the energy sector and in the field of e-mobility; project financing in the energy sector and in the field of e-mobility; financial consultancy for energy projects; financing energy projects; providing of loans in the energy sector and in the field of e-mobility, in particular for the purchase of energy installations, electrical installations, heating installations or installations operated by renewable energies, including for energy saving; loan services in the energy sector and in the field of e-mobility, in particular for the new construction of energy-efficient and environmentally-friendly buildings; purchase and sale of electricity quotas on the energy exchange; brokerage services for buying and selling of electricity; brokerage services for trading of electricity; commodity trading services for electricity; financial clearing and settlement services, all relating to the generation, supply, distribution and transmission of electricity; electronic commerce relating to energy stock exchange; financial consultancy in the energy sector; energy brokerage; brokerage relating to financial investment in renewable energy; financial consultancy relating to investment in renewable energy; planning of investments relating to real estate in the energy sector and in the field of e-mobility, including in apparatus for the generation of renewable energy; investment in and consultancy relating to investment in renewable energy; consultancy with regard to investment in installations for generating energy from renewable energy carriers, and brokerage of such investments; financial information, data, advice and consultancy in the energy sector and in the field of e-mobility, in particular share orientation advisory services, in particular in relation to firms in the bioenergy, renewable energy sectors; stock trading in the energy sector and in the field of e-mobility; venture capital funding to emerging and start-up companies in the energy sector and in the field of e-mobility; venture capital services in the energy sector and in the field of e-mobility, namely, providing financing to emerging and start-up companies; financial investment brokerage in specialist companies in the field of energy; equity research assistance for businesses, establishments and research centres in the energy sector and in the field of e-mobility; financial evaluation [insurance, banking, real estate] in the energy sector and in the field of e-mobility; financial and monetary affairs in the fields of energy, environment, wind power, geothermal, hydropower, thermal energy, wind energy, bioenergy, renewable energy, biomass energy, geothermal energy and solar energy; financial consultancy in relation to optimising energy consumption, energy generation and energy storage; financial and budgetary estimates in the energy sector; financial analysis and financial reports in the energy sector and in the field of e-mobility; financial risk management in the energy sector and in the field of e-mobility; brokerage of emission rights.), 37(Construction, in particular disassembly, assembly, maintenance, servicing and repair work for renovating technical

apparatus, installations; installation of wind and solar power installations and of plants for generating renewable energy, including plant-related measuring apparatus; installation of plants for the production of renewable energy, systems and machines in the field of renewable energy and of heat generation, heat transport and heat distribution plants and cogeneration plants and combined heat and power plants, including plant-related measuring apparatus; pipeline laying; carrying out works regarding electrical technology, heating construction technology, air conditioning technology and ventilation construction technology, in the form of installation, maintenance and servicing; building, installation, repair, servicing, maintenance, inspection prior to maintenance and repair of plants for generating renewable energy, of systems and machines in the field of renewable energy, solar collectors and solar modules for generating electricity [photovoltaic installations] and parts therefor; construction work for erecting installations for generating energy and gas, in particular installations for generating electrical and thermal energy from renewable energy sources, including wind energy, hydropower, solar energy, geothermal heat and biomass, and installations for generating biogas from biomass and recyclable materials; providing information in relation to the construction of wind power plants and plants for generating renewable energy, including powered by biomass, biogas (including being obtained from organic waste), geothermal heat, solar-thermal plants, solar collectors and solar modules for generating electricity [photovoltaic installations] and hydropower plants; building construction supervision in relation to wind and solar power plants and in relation to plants for generating renewable energy, including powered by biomass, biogas (including being obtained from organic waste), geothermal heat, solar-thermal plants, solar collectors and solar modules for generating electricity [photovoltaic installations] and hydropower plants; installation of computer systems [hardware] for IT and data security for wind and solar parks and renewable energy production plants; installation, maintenance and repair of computer hardware and telecommunications equipment for it and data security for wind and solar parks and renewable energy production plants; rental and leasing of charging stations for electric vehicles and electric bicycles; services of charging stations; maintenance and servicing of electric vehicles and electric bicycles, in particular charging, replacement and maintenance of batteries; maintenance of computer hardware, including for capturing, compiling, interpreting, evaluating, storing, transmitting of sensor-captured measurement data for the field of smart household technology, and for networking, programming, controlling, remotely controlling, monitoring and regulating gas, power, district heating, local heating and water lines, air conditioning, heating and thermal plants, surveillance systems and access control systems.), 39(Transport and storage of heating fuels and fuels; transportation and storage of waste; heat transport and distribution; rental of heat transport and heat distribution installations; transport, distribution, storage and providing of energy, in particular electricity, gas, biogas, heat, biomass, solar energy, wind energy, thermal energy and water; information and consultancy relating to the transport, distribution and supply of energy; energy supply and energy distribution in connection with electricity, gas, water and steam, for others; energy supply for motor vehicles and electric bicycles, in particular by means of conveying, transporting and distributing electrical energy via supply networks; providing

(distribution) of electrical energy by means of fuel cells.), 40(Generating energy in particular electricity and heat, and energy carriers from renewable energy sources, including generating plant oil from agricultural products, including rapeseed or sugar; generating biogas, including being obtained from organic waste; rental of heat generation installations; rental of installations for generating gas, biogas, including being obtained from organic waste, water, electricity and steam; generation of electricity from solar, water and wind power; production of electrical power from renewable sources; leasing of photovoltaic roof systems; leasing of plants for the production of renewable energy.), 42(Technological services and technical consultancy in connection with the development, use and exploitation of renewable energies; technical development, technological consultancy and control of projects (project management) in the field of renewable energies, including wind, solar and bioenergy; technological consultancy with regard to franchise concepts; technological consultancy in the planning and management of such companies, technological consultancy relating to environmentally friendly energy, consultancy relating to energy saving, engineering, in particular relating to energy saving, measuring and control engineering as well as engineering relating to heating technology; technical planning of energy supply concepts, for others, including designing of stations for networking and converting renewable energy; design of renewable energy transmission lines; providing technological information for operators of renewable power installations; engineering in the field of the production, transformation, storage, installation of solar electrical energy devices, of hybrid or non-hybrid renewable energy devices powered by conventional energy, of wind energy devices or biomass energy devices; conducting technical project studies for plants for generating renewable energy, in particular from wind and solar power, as well as biogas, in particular of site appraisal; industrial analysis and research services, in particular feasibility and design studies in the field of construction, repair, operation, installation and management of permanent plants, in particular plants for generating renewable energy as wind and solar power and biogas; technical project studies and technological consultancy in authorisation procedures for the construction of plants for generating renewable energy, in particular wind energy, solar energy and bioenergy; technical planning and technological consultancy in the field of energy and heat supply, technical development of equipment, construction drafting; technical monitoring of heat generating, heat conducting and heat distribution systems and cogeneration power plants and combined heat and power plants, including measurement apparatus; engineering services, namely conducting studies and technical projects in the fields of energy technology, renewable energies, in particular solar, hydro and wind energy, biomass, biogas, including being obtained from organic waste, geothermal heat, solar collectors and solar modules for generating electricity [photovoltaic installations] and solar-thermal installations; technological consultancy in relation to the design, installation, operation, management and monitoring of plants for generating renewable energies, including from solar, hydro and wind energy, biomass, biogas, including being obtained from organic waste, geothermal heat, solar collectors and solar modules for generating electricity [photovoltaic installations] and solar-thermal installations; design and development of computer software for use in relation to the monitoring of plants for

generating renewable energies, including from solar, hydro and wind energy, biomass, biogas, including being obtained from organic waste, geothermal heat, solar collectors and solar modules for generating electricity [photovoltaic installations] and solar-thermal installations; research and development (for others); computer system analysis; computer system design; consultancy in the design and development of computer hardware; digitization of documents; software as a service [SaaS]; cloud computing; information technology [IT] consultancy; design and development of computer hardware and software; programming of energy management software; IT security services in the nature of protection and recovery of computer data; IT project management; data security services [firewalls]; data security consultancy; design and development of electronic data security systems; installation, maintenance and repair of software for computers for IT and data security for wind and solar parks and plants for the generation of renewable energy; monitoring of computer systems, including via the internet, for IT and data security for wind and solar parks as well as plants for the production of renewable energies to detect unauthorised access and data breaches; configuration of computer software for IT and data security for wind and solar parks; configuration of computer systems and networks; computer software support and IT consultancy services; IT services, namely development, programming and implementation of software for IT and data security for wind and solar parks and plants for the production of renewable energies; development of computer hardware for IT and data security for wind and solar parks, rental of software and computer hardware and systems for IT and data security for wind and solar farms; IT consultancy, advisory and information services; computer analysis and diagnostics; computer programming, in particular programs in the field of energy optimisation, energy saving by means of energy efficiency and building automation in the field of smart power networks, smart building technology and smart energy meters; installation and maintenance) and 44 (Services and agricultural consultancy in agriculture, horticulture and forestry regarding the use of renewable energies, in particular in the cultivation of plants for producing fuels, consultancy regarding the climate and environment compatibility of agricultural exploitation, in the use of seeds, fertilisers, plant protection preparations.) (526): Registration of this mark shall give no right to the exclusive use of the letters "E" and "R" each separately and apart from the mark as a whole. (730): BayWa r.e. AG of ArabellastraBe 4, 81925 Munchen, Germany (740): GICHACHI & COMPANY ADVOCATES of P. O. BOX 79659 - 00200, NAIROBI, Kenya

(210): 127906 (220): 19/05/2023

(300): None (511): 5 (Preparations for destroying and combating vermin; insecticides, fungicides, herbicides, pesticides.) (526): None (730): BASF Agrochemical Products B.V. a Dutch Private Limited Liability Company of Velperplein 23, Arnhem, Netherlands (740): CFL Advocates of P. O. Box 23555 - 00100, Nairobi, Kenya

INSCALIS

(210): 127907 (220): 19/05/2023

(300): None (511): 8(Razors; Razors, electric or non-electric; Razor blades; Blades for electric razors; Disposable razors; Cartridges containing razor blades; Non-electric eyebrow trimmers; Shaving cases; Razor cases; Razor knives.) (526): None (730): DORCO CO., LTD of (Golim-Dong), 350 Kyungahnchun-Ro, Cheoin-Gu, Yongin-Si, Kyunggi-Do, Republic of Korea (740): CFL ADVOCATES of P. O. Box 23555 - 00100, Nairobi

DORCO TITAN

(210): 127957 (220): 22/05/2023

(300): None (511): 45(Legal research) (526): Registration of this mark shall give no right to the exclusive use of the words 'Law', 'Tax', 'Accounting', and 'Research' and the letters 'B' and 'L' each separately and apart from the mark as a whole. (730): LEXI BOMANI CONSULTING LTD of P. O. Box 26128 - 00100, Nairobi, Kenya (740): None



(210): 128018 (220): 24/05/2023

(300): None (511): 16(Paper and cardboard; printed matter; bookbinding material; photographs; stationery and office requisites, except furniture; adhesives for stationery or household purposes; drawing materials and materials for artists; paintbrushes; instructional and teaching materials; plastic sheets, films and bags for wrapping and packaging; printers' type, printing blocks), 35(Advertising; business management; business administration; office functions.) and 36(Insurance; financial affairs; monetary affairs; real estate affairs.) (526): Registration of this mark shall give no right to the exclusive use of the words "COVER", "SURE", the letters "S", "M", "E" and the device of a "TICK" each separately and apart from the mark as a whole. (730): MINET KENYA INSURANCE BROKERS LIMITED A Company duly incorporated under the laws of Kenya. of P. O. Box 48279 - 00100, Minet House, Processional Way, Off Nyerere Road, Nairobi, Kenya (740): SIMBA & SIMBA & CO. Advocates of P. O. BOX 10312 - 00100, Nairobi, Kenya



(210): 128024 (220): 25/05/2023

(300): None (511): 30(Maize flour, foodstuff of plant origin) (526): Registration of this mark shall give no right to the exclusive use of the words 'AFYA', 'KING', 'PREMIUM', 'MAIZE', 'MEAL', the devices of a 'CROWN', 'HUMAN BEINGS', 'MAIZE COB' and 'MAIZE PLANT' each separately and apart from the mark as a whole. Afya is a Kiswahili word that means "health" in English. (730): MAGUNAS LIMITED of P. O. Box 41331-00100, 136 MANYANI EAST ROAD, Nairobi, Kenya (740): None



(210): 128026 (220): 25/05/2023

(300): None (511): 9(Mobile phones and accessories.) (526): None (730): FasterFit (K) Ltd of P. O. Box 71358 - 00610, Nairobi, Kenya (740): None

GOLDEN CROWN

(210): 128069 (220): 25/05/2023

(300): None (511): 5(Pharmaceuticals and Medical Preparations) (526): None (730): AJANTA PHARMA LIMITED Manufacturers and distributors of Pharmaceutical Products of P. O. Box 42718 - 00100, Nairobi, Kenya (740): None

EMPADIL

(210): 128072 (220): 25/05/2023

(300): None (511): 5(Pharmaceuticals and Medical Preparations) (526): None (730): AJANTA PHARMA LIMITED Manufacturers and distributors of Pharmaceutical Products of P. O. Box 42718 - 00100, Nairobi, Kenya (740): None

ALOPATINE

(210): 128073 (220): 25/05/2023 (300): None (511): 5(Pharmaceuticals and Medical Preparations) (526): None (730): AJANTA PHARMA LIMITED Manufacturers and distributors of Pharmaceutical Products of P. O. Box 42718 - 00100, Nairobi, Kenya (740): None	MAXMOIST
(210): 128074 (220): 25/05/2023 (300): None (511): 5(Pharmaceuticals and Medical Preparations) (526): None (730): AJANTA PHARMA LIMITED Manufacturers and distributors of Pharmaceutical Products of P. O. Box 42718 - 00100, Nairobi, Kenya (740): None	OCCUMOIST
(210): 128075 (220): 25/05/2023 (300): None (511): 5(Pharmaceuticals and Medical Preparations) (526): None (730): AJANTA PHARMA LIMITED Manufacturers and distributors of Pharmaceutical Products of P. O. Box 42718 - 00100, Nairobi, Kenya (740): None	TOVAXO
(210): 128076 (220): 25/05/2023 (300): None (511): 5(Pharmaceuticals and Medical Preparations) (526): None (730): AJANTA PHARMA LIMITED Manufacturers and distributors of Pharmaceutical Products of P. O. Box 42718 - 00100, Nairobi, Kenya (740): None	MOMADERM
(210): 128077 (220): 25/05/2023 (300): None (511): 5(Pharmaceuticals and Medical Preparations) (526): None (730): AJANTA PHARMA LIMITED Manufacturers and distributors of Pharmaceutical Products of P. O. Box 42718 - 00100, Nairobi, Kenya (740): None	PACROMA
(210): 128078 (220): 25/05/2023 (300): None (511): 5(Pharmaceuticals and Medical Preparations) (526): None (730): AJANTA PHARMA LIMITED Manufacturers and distributors of Pharmaceutical Products of P. O. Box 42718 - 00100, Nairobi, Kenya (740): None	PERODU
(210): 128079 (220): 25/05/2023 (300): None (511): 5(Pharmaceuticals and Medical Preparations) (526): None (730): AJANTA PHARMA LIMITED Manufacturers and distributors of Pharmaceutical Products of P. O. Box 42718 - 00100, Nairobi, Kenya (740): None	APLENE
(210): 128080 (220): 25/05/2023 (300): None (511): 5(Pharmaceuticals and Medical Preparations) (526): None (730): AJANTA PHARMA LIMITED Manufacturers and distributors of Pharmaceutical Products of P. O. Box 42718 - 00100, Nairobi, Kenya (740): None	CO-ORIXO
(210): 128090 (220): 25/05/2023 (300): None (511): 5(Pharmaceuticals and Medical Preparations) (526): None (730): AJANTA PHARMA LIMITED Manufacturers and distributors of Pharmaceutical Products of P. O. Box 42718 - 00100, Nairobi, Kenya (740): None	NOCOLIC
(210): 128091 (220): 25/05/2023 (300): None (511): 5(Pharmaceuticals and Medical Preparations) (526): None (730): AJANTA PHARMA LIMITED Manufacturers and distributors of Pharmaceutical Products of P. O. Box 42718 - 00100, Nairobi, Kenya (740): None	IBUMOL
(210): 128103 (220): 25/05/2023 (300): None (511): 39(Transport; packaging and storage of goods; travel arrangement.) and 41(Education; providing of training; entertainment; sporting and cultural activities.) (526): None (730): OUTDOORER HUB LIMITED of P. O. Box 679 - 00618, Blessed House, 1 Sf Floor, Suite 56, Thika Road, Kenya (740): None	OUTDOORER

(210): 128136 (220): 26/05/2023

AIR MAX

(300): None (511): 18(Goods made from leather and imitation leather, not included in other classes; animal skins; trunks and suitcases; umbrellas, walking sticks; trunks and suitcases, wallets, leather packing bags, cases for toiletries, sports bags, handbags, bags made of canvas, backpacks, duffle bags, document holders, purses, shoulder bags, tote bags, sports bags, gym bags, waist packs) and 25(Footwear; apparel, namely, jerseys, pants, shorts; t-shirts, shirts, sweatshirts, hooded sweatshirts, sweatpants, vests, tank tops, track suits, jackets, anoraks, coats, underwear, clothing belts, sports bras, socks, wrist bands, headbands, headwear, hats; caps; visors; sweatbands; sweaters; skirts; dresses, scarves; gloves; athletic apparel; athletic uniforms; athletic tights; clothing for athletic use; footwear and apparel incorporating near field communication (NFC) technology) (526): None (730): NIKE Innovate C.V. of One Bowerman Drive, Beaverton, Oregon 97005 - 6453, United States of America (740): Kaplan & Stratton Advocates of P. O. BOX 40111 - 00100, Nairobi, Kenya

(210): 128168 (220): 30/05/2023

EDUCAIR

(300): None (511): 44(Provision of health and medical information about medical disorders.) (526): None (730): Glaxo Group Limited of GSK Medicines Research Centre Gunnels Wood Road Stevenage SG1 2NY, United Kingdom (740): CFL ADVOCATES of P. O. Box 23555 - 00100, Nairobi, Kenya

(210): 128214 (220): 02/06/2023

Magic skin

(300): None (511): 9(Smartphones; mobile telephones; cases for smartphones; covers for cell f)hones; covers adapted for mobile phones; batteries, electric; battery chargers; protective cases for smartphones; protective covers for smartphones; leather covers for mobile phones; protective films adapted for mobile telephone screens; earphones; USB cables.) (526): Registration of this mark shall give no right to the exclusive use of the word "SKIN" separately and apart from the mark as a whole. (730): TECNO TELECOM (HK) LIMITED of FLAT N, 16/F., BLOCK B, UNIVERSAL INDUSTRIAL CENTRE, 19-25 SHAN MEI STREET, FOTAN, NEW TERRITORIES,, Hong Kong (740): CFL ADVOCATES of P. O. BOX 23555 - 00100, Nairobi, Kenya

(210): 128245 (220): 06/06/2023

JETPESA

(300): None (511): 38(Telecommunications services) (526): Pesa is Swahili word meaning Money in English.(730): INTOUCHVAS LTD of P.O. BOX 2358 - 00621 Nairobi, Kenya (740): None

(210): 128255 (220): 06/06/2023



(300): None (511): 16(Plastic sheets, sacks and bags for wrapping and packaging, paper, cardboard and goods made from these materials, not included in other classes; printed matter; photographs; stationery; adhesives for stationery or household purposes; instructional and teaching material (except apparatus); plastic materials for packaging (not included in other classes).) and 35(public relations services; business management; operation, organization administration of a commercial or industrial enterprise, as well as advertising, marketing and promotional services.) (526): Registration of this mark shall give no right to the exclusive use of the words "LIGHTING HEARTS INITIATIVE" each separately and apart from the mark as a whole. (730): CHLORIDE EXIDE KENYA LIMITED of P. O. Box 14242 - 00800, Nairobi, Kenya (740): KEMBI GITURA & CO., ADVOCATES of P.O. BOX 45834 - 00100, Nairobi, Kenya

(210): 128466 (220): 14/06/2023

RHYMLOC

(300): None (511): 5(Pharmaceuticals) (526): None (730):
YILING KENYA INTERNATIONAL LIMITED of P. O. Box 71888 -
00100, Spring Gardens Apartments, Kileleshwa, Kenya (740):
None

(210): 128467 (220): 14/06/2023

NORMLOC

(300): None (511): 5(Pharmaceuticals) (526): None (730):
YILING KENYA INTERNATIONAL LIMITED of P. O. Box 71888 -
00100, Spring Gardens Apartments, Kileleshwa, Kenya (740):
None

(210): 128474 (220): 15/06/2023

JUST DO IT

(300): None (511): 14(Watches and chronometric instruments;
watches incorporating altimeters, navigation, compasses,
pedometers, speed and/or distance monitors with speed sensor
and heart rate monitors; watch bands and straps; Precious
metals and their alloys; jewelry, precious and semi-precious
stones; jewelry charms; horological and chronometric
instruments; key fobs; key rings, key chains and charms
therefor), 21(Housewares; water bottles; Reusable plastic water
bottles sold empty; Reusable aluminum water bottles sold
empty; household containers, namely vases, bottles, piggy
banks, pails; lunch bags, not of paper; lunch boxes made of
plastic; lunch boxes made of metal), 26(Shoe ornaments,
buckles, eyelets, laces, and fasteners; shoe laces; hair
adornments and accessories; ribbons and bows being
haberdashery or used as hair decorations, made of any
material), 27(Carpets, rugs, mats, and matting; Linoleum and
other materials for covering existing floors; Non-textile wall
hangings; Artificial turf for recreational areas; foam mats for
play surfaces; yoga mats; gymnastic mats; underlayment
padding for artificial turf; bags for yoga mats), 35(Advertising;
business management; business administration; office functions;
retail store services; retail store services featuring apparel,
apparel accessories, footwear, footwear accessories, headwear,
eyewear and accessories, sporting and fitness goods, equipment
and accessories, bags, sports bags, sports and fitness products
and accessories, sports balls; on-line retail store services
featuring apparel, apparel accessories, footwear, footwear
accessories, headwear, eyewear and accessories, sporting and
fitness goods, equipment and accessories, bags, sports bags,
sports and fitness products and accessories, sports balls; retail
store services featuring virtual goods, namely, apparel, apparel
accessories, footwear, footwear accessories, headwear,
eyewear and accessories, sporting and fitness goods, equipment
and accessories, bags, sports bags, sports and fitness products
and accessories, sports balls, art, toys and accessories for use
online; on-line retail store services featuring virtual goods,
namely, apparel, apparel accessories, footwear, footwear
accessories, headwear, eyewear and accessories, sporting and
fitness goods, equipment and accessories, bags, sports bags,
sports and fitness products and accessories, sports balls,
art, toys and accessories), 41(Entertainment services, namely,
arranging, organizing and conducting an array of athletic and
sports activities, events, competitions and tournaments;
encouraging and developing sports talent by organizing and
conducting athletic programs and activities; encouraging youth
and amateur sports and physical education by organizing and
conducting youth and amateur athletic and sports programs and
activities; organizing, conducting and arranging participation in
the cultural and community programs; providing training in the
fields of sports and fitness; provide an online website, and

computer application software for smart phones and mobile devices, featuring information regarding fitness training and athletic skill development; provide access to live workouts, fitness instructions, and fitness sessions; provide access to pre-recorded athletic sessions and fitness sessions; provide access to athletic training, workouts, and physical fitness challenges; provide a fitness assessment and a personalized workout program based on that assessment; entertainment services, namely, contest and incentive award programs designed to reward program participants who exercise; Entertainment services, namely, providing on-line, non-downloadable virtual footwear and footwear accessories, clothing and clothing accessories, headwear and headwear accessories, eyewear and eyewear accessories, bags and bag accessories, sports bags and sports bag accessories, backpacks and backpack accessories, sports equipment and sports equipment accessories, art and art accessories, toys and toy accessories for use in virtual environments created for entertainment purposes;) and 42(Non-downloadable computer software for the creation, production and modification of digital animated and non-animated designs and characters, avatars, digital overlays, and skins for access and use in online environments, virtual online environments, and extended reality virtual environments) **(526)**: None **(730)**: NIKE Innovate C.V. of One Bowerman Drive, Beaverton, Oregon 97005-6453, United States of America **(740)**: Kaplan & Stratton Advocates of P. O. Box 40111 - 00100, Nairobi, Kenya

(210): 128515 **(220)**: 19/06/2023

(300): None **(511)**: 16(PAPER AND CARDBOARD; PRINTED MATTER; BOOKBINDING MATERIAL; PHOTOGRAPHS; STATIONERY AND OFFICE REQUISITES, EXCEPT FURNITURE; ADHESIVES FOR STATIONERY OR HOUSEHOLD PURPOSES; DRAWING MATERIALS AND MATERIALS FOR ARTISTS; PAINTBRUSHES; INSTRUCTIONAL AND TEACHING MATERIALS; PLASTIC SHEETS, FILMS AND BAGS FOR WRAPPING AND PACKAGING; PRINTERS' TYPE, PRINTING BLOCKS.) 35(ADVERTISING; BUSINESS MANAGEMENT; BUSINESS ADMINISTRATION; OFFICE FUNCTIONS.) and 38(TELECOMMUNICATIONS SERVICES) **(526)**: Registration of this mark shall give no right to the exclusive use of the word "PACKAGE" separately and apart from the mark as a whole. SIMBA IS THE SWAHILI WORD FOR "LION" **(730)**: JAMII TELECOMMUNICATIONS LIMITED of P. O. Box 47419 - 00100, JAMII TOWERS, MATUMBATO CLOSE, Nairobi, Kenya **(740)**: None



(210): 128568 **(220)**: 22/06/2023

(300): None **(511)**: 3(Cosmetics; non-medicated skincare preparation) **(526)**: Registration of this mark shall give no right to the exclusive use of the word "MAKEUP" separately and apart from the mark as a whole. **(730)**: ESTEE LAUDER COSMETICS LTD of 161 Commander Blvd., Agincourt, Ontario, M1S 3K9, Canada, Canada **(740)**: J. K. MUCHAE & COMPANY ADVOCATES of P. O. BOX 60664 - 00200, Nairobi, Kenya

THE LIFE-IN-A-DAY MAKEUP

(210): 128650 **(220)**: 27/06/2023

(300): None **(511)**: 1(Chemicals used in industry, science and photography, as well as in agriculture, horticulture and forestry; unprocessed artificial resins, unprocessed plastics; manures; fire extinguishing compositions; tempering and soldering preparations; chemical substances for preserving foodstuffs; tanning substances; adhesives used in industry.), 3(Impregnated wipes for cleaning; wet wipes made of paper, cellulose or non-woven synthetic fibers (for cosmetic purposes) impregnated with cosmetics and cleaning preparations for personal uses; cosmetics; skin care products, namely



moisturizing lotions and creams, astringents and cleansing creams moisturizing body wash, facial cleanser; non medicated rinsing preparations to prevent tartar and caries, cleansing powders; laundry additives in the nature of cleaning preparations to enhance wash; detergent for laundry, household and institutional use; antibacterial detergent, and cleaning preparations; sudsing cleaner, cleanser and detergent, rinse agent for automatic dishwashers; sudsing detergent-cleanser for cleaning and disinfecting kitchens, bathrooms, household fixtures and hospital rooms and fixtures; cleaning, polishing, scouring and abrasive preparation; paper cloths impregnated with cleaning solution for use on hard surfaces; home stain removal, deodorizing and freshening system comprised of preparations for non-washable clothing and fabrics; fabric softener; laundry cleaning preparations, namely bleach and pre-soak, moistened and un-moistened cleansing cloths; preparations for the cleaning, care, treatment and beautification of fabrics, including scented fabric refresher spray; preparations for the cleaning, care and beautification of dishes and cutlery; room fragrances.), 5(Medicated skin cream, laxatives, prescription cardiomyocardial pharmaceutical preparations, oral analgesic preparations; dietetic substances adapted for medical use, dietetic supplements; dietetic beverages and foods adapted for medical use; pharmaceutical preparations, namely, a greaseless medication for external application to pimples and acne; preparations for the relief of diarrhea, cold and flu medicine, colds medication, pharmaceutical preparations for the relief of throat and mouth soreness, pharmaceutical preparations for the treatment of the respiratory tract and sinuses; pharmaceutical preparations, namely decongestants, analgesics, antihistamines, expectorants, cough suppressants and multisymptom cough cold preparations; pharmaceutical preparations for the treatment of bone disorders, pharmaceutical preparations for the treatment of heart disorders, transdermal estrogen replacement patch; medicine preparations for the relief of coughs, colds and respiratory infections; medicated preparations for the care and hygiene of the mouth, teeth, throats, gums and buccal cavity, rinsing preparations to prevent tartar and caries, tooth cleaning agents, tooth cleaning preparations, tooth care preparations; tooth powders, toothpastes, mouthwashes, mouth sprays, tooth gels, fluor gels, fluor mouth washes, cleansing powders, tartar coloring tablets, preparations for the preventive treatment of teeth and gums, chewing tablets for tooth care, cleaning and caring products, also with disinfecting effect, for artificial teeth, dentures, braces and bridges, adhesive preparations for artificial teeth; adhesive powders; articles for the feminine hygiene made of paper and/or cellulose and goods made of these materials, namely disposable menstruation pads, feminine sanitary towels, tampons and panty-liners; tampons; catamenial products, namely sanitary pads, maxi pads, mini pads and panty-liners; medicated lotion- impregnated wipes for use on infants; deodoriser for fabrics, upholstery and carpets.), 8(Razors and razor blades; shaving instruments; dispensers, cassettes, holders, and cartridges, all containing blades; hand operated tools and instruments for personal care purposes; manicure sets; nail files, buffers, and clippers; hair clippers; hair tweezers; non-electric crimping irons; eye lash curlers; parts and fittings for the aforesaid goods.), 16(Paper, cardboard and goods made from these materials, not included in other classes; printed matter; bookbinding material; photographs; stationery; adhesives for stationery or household purposes;

artists' materials; paint brushes; typewriters and office requisites (except furniture); instructional and teaching material (except apparatus); plastic materials for packaging (not included in other classes); playing cards; printers' type; printing blocks.), 35(Retailing services; direct selling, including direct selling through telecommunications, including by telephone, by facsimile, by e-mail and through the Internet; telephone ordering services; facsimile ordering services; e-mail ordering services; compiling, arranging and publishing merchandise catalogues; mail order promotions; business services product introductions in the market place; marketing, including direct marketing, direct mail advertising; advertising by mail order, point of purchase; promotions; on-line advertising; on-line direct selling; sale promotions, wholesaling services; advertising and business; business administration, namely layout and operation of the business in particular relating to marketing, advertising, personnel training and management of perfumery and cosmetic shops; consultation of franchisees and licensees on the design, layout and operation of the business, in particular with respect to marketing and advertising; advertising on beauty parlours; franchising of perfumery and cosmetic shops and school by mediation of organizational know-how) and 44(Cosmetic treatments, medical, hygienic and beauty care; veterinary services; health and beauty care services; advising and counseling on beauty parlors; dental and oral care research and advisory services; pharmaceutical and medical consultation; pharmaceutical and medical expert evaluations and research; veterinary and agricultural services.) (526): Registration of this mark shall give no right to the exclusive use of the letters 'G' and 'P' each separately and apart from the mark as a whole. (730): The Procter & Gamble Company of One Procter & Gamble Plaza, Cincinnati, Ohio 45202, U.S.A., United States of America (740): KAPLAN & STRATTON ADVOCATES of P. O. Box 40111 - 00100, Nairobi, Kenya

(210): 128651 (220): 27/06/2023

(300): None (511): 1(Chemicals used in industry, science and photography, as well as in agriculture, horticulture and forestry; unprocessed artificial resins, unprocessed plastics; manures; fire extinguishing compositions; tempering and soldering preparations; chemical substances for preserving foodstuffs; tanning substances; adhesives used in industry.), 3(Impregnated wipes for cleaning; wet wipes made of paper, cellulose or non-woven synthetic fibers (for cosmetic purposes) impregnated with cosmetics and cleaning preparations for personal uses; cosmetics; skin care products, namely moisturizing lotions and creams, astringents and cleansing creams moisturizing body wash, facial cleanser; non medicated rinsing preparations to prevent tartar and caries, cleansing powders; laundry additives in the nature of cleaning preparations to enhance wash; detergent for laundry, household and institutional use; antibacterial detergent, and cleaning preparations; sudsing cleaner, cleanser and detergent, rinse agent for automatic dishwashers; sudsing detergent-cleanser for cleaning and disinfecting kitchens, bathrooms, household fixtures and hospital rooms and fixtures; cleaning, polishing, scouring and abrasive preparation; paper cloths impregnated with cleaning solution for use on hard surfaces; home stain removal, deodorizing and freshening system comprised of preparations for non-washable clothing and fabrics; fabric softener; laundry cleaning preparations, namely bleach and pre-soak, moistened and un-moistened cleansing cloths;

P & G

preparations for the cleaning, care, treatment and beautification of fabrics, including scented fabric refresher spray; preparations for the cleaning, care and beautification of dishes and cutlery; room fragrances.), 5(Medicated skin cream, laxatives, prescription cardiomuscular pharmaceutical preparations, oral analgesic preparations; dietetic substances adapted for medical use, dietetic supplements; dietetic beverages and foods adapted for medical use; pharmaceutical preparations, namely, a greaseless medication for external application to pimples and acne; preparations for the relief of diarrhea, cold and flu medicine, colds medication, pharmaceutical preparations for the relief of throat and mouth soreness, pharmaceutical preparations for the treatment of the respiratory tract and sinuses; pharmaceutical preparations, namely decongestants, analgesics, antihistamines, expectorants, cough suppressants and multisymptom cough cold preparations; pharmaceutical preparations for the treatment of bone disorders, pharmaceutical preparations for the treatment of heart disorders, transdermal estrogen replacement patch; medicine preparations for the relief of coughs, colds and respiratory infections; medicated preparations for the care and hygiene of the mouth, teeth, throats, gums and buccal cavity, rinsing preparations to prevent tartar and caries, tooth cleaning agents, tooth cleaning preparations, tooth care preparations; tooth powders, toothpastes, mouthwashes, mouth sprays, tooth gels, fluor gels, fluor mouth washes, cleansing powders, tartar coloring tablets, preparations for the preventive treatment of teeth and gums, chewing tablets for tooth care, cleaning and caring products, also with disinfecting effect, for artificial teeth, dentures, braces and bridges, adhesive preparations for artificial teeth; adhesive powders; articles for the feminine hygiene made of paper and/or cellulose and goods made of these materials, namely disposable menstruation pads, feminine sanitary towels, tampons and panty-liners; tampons; catamenial products, namely sanitary pads, maxi pads, mini pads and panty-liners; medicated lotion- impregnated wipes for use on infants; deodoriser for fabrics, upholstery and carpets.), 8(Razors and razor blades; shaving instruments; dispensers, cassettes, holders, and cartridges, all containing blades; hand operated tools and instruments for personal care purposes; manicure sets; nail files, buffers, and clippers; hair clippers; hair tweezers; non-electric crimping irons; eye lash curlers; parts and fittings for the aforesaid goods.), 16(Paper, cardboard and goods made from these materials, not included in other classes; printed matter; bookbinding material; photographs; stationery; adhesives for stationery or household purposes; artists' materials; paint brushes; typewriters and office requisites (except furniture); instructional and teaching material (except apparatus); plastic materials for packaging (not included in other classes); playing cards; printers' type; printing blocks.), 35(Retailing services; direct selling, including direct selling through telecommunications, including by telephone, by facsimile, by e-mail and through the Internet; telephone ordering services; facsimile ordering services; e-mail ordering services; compiling, arranging and publishing merchandise catalogues; mail order promotions; business services product introductions in the market place; marketing, including direct marketing, direct mail advertising; advertising by mail order, point of purchase; promotions; on-line advertising; on-line direct selling; sale promotions, wholesaling services; advertising and business; business administration, namely layout and operation of the business in particular

relating to marketing, advertising, personnel training and management of perfumery and cosmetic shops; consultation of franchisees and licensees on the design, layout and operation of the business, in particular with respect to marketing and advertising; advertising on beauty parlours; franchising of perfumery and cosmetic shops and school by mediation of organizational know-how) and 44(Cosmetic treatments, medical, hygienic and beauty care; veterinary services; health and beauty care services; advising and counseling on beauty parlors; dental and oral care research and advisory services; pharmaceutical and medical consultation; pharmaceutical and medical expert evaluations and research; veterinary and agricultural services.) (526): Registration of this mark shall give no right to the exclusive use of the letters 'G' and 'P' each separately and apart from the mark as a whole. (730): The Procter & Gamble Company of One Procter & Gamble Plaza, Cincinnati, Ohio 45202, U.S.A., United States of America (740): KAPLAN & STRATTON ADVOCATES of P. O. Box 40111 - 00100, Nairobi, Kenya

(210): 128750 (220): 05/07/2023

(300): None (511): 16(Plastic sheets, sacks and bags for wrapping and packaging, paper, cardboard and goods made from these materials, not included in other classes; printed matter; stationery; plastic materials for packaging (not included in other classes); printers' type; printing blocks.), 41(Education; providing of training; entertainment; sporting and cultural activities.), 42(Scientific and technological services and research and design relating thereto; industrial analysis and research services; design and development of computer and software.) and 44(Medical services; veterinary services; hygienic and beauty care for human being or animals; agriculture and forestry services.) (526): Registration of this mark shall give no right to the exclusive use of the numerals "0", "6", the words 'Mater', 'Misericordiae', 'Hospital' and the devices of a "CROSS" and "LOVE HEART per se", each separately and apart from the mark as a whole. (730): THE REGISTERED TRUSTEES OF THE SISTERS OF MERCY OF KENYA of P. O. Box 14188 - 00800, Nairobi, Kenya (740): Chiuri Kirui and Rugo Advocates of P. O. BOX 41499 - 00100, Nairobi, Kenya



(210): 128752 (220): 05/07/2023

(300): None (511): 33(Alcoholic beverages, except beer; alcoholic preparations for making beverages; spirits and liquors; distilled spirits; distilled beverages; liqueurs; aperitifs; digesters (liqueurs and spirits); tequila; flavoured tequila; agave spirits; hard seltzers; cocktails; pre-mixed alcoholic beverages.) (526): Registration of this mark shall give no right to the exclusive use of the word "MANGO" separately and apart from the mark as a whole. (730): Sazerac Brands, LLC a company organized and existing under the laws of Delaware of 10101 Linn Station Road, Suite 400, Louisville, Kentucky 40223, United States of America (740): CFL ADVOCATES of P. O. Box 23555 - 00100, Nairobi

MANGO SHOTTA

(210): 128767 (220): 05/07/2023

(300): None (511): 5(Pharmaceutical preparations for human use.) (526): None (730): BRISTOL-MYERS SQUIBB COMPANY of Route 206 & Province Line Road, Princeton, New Jersey 08543, United States of America (740): J. K. MUCHAE & COMPANY ADVOCATES of P. O. BOX 60664 - 00200, Nairobi, Kenya

OPDIVO

(210): 128768 (220): 05/07/2023

(300): None (511): 25(Clothing, footwear, headgear; hosiery, tights, legwear, bras, underwear, leggings.) (526): None (730): WALLMART APOLLO a limited liability company organized under the laws of Delaware of 702 SW 8th Street, Bentonville, Arkansas 72716, United States of America (740): J.K. MUCHAE & COMPANY ADVOCATES of P. O. Box 60664 - 00200, Nairobi

JOYSPUN

(210): 128769 (220): 05/07/2023

(300): None (511): 33(Alcoholic beverages, except beer, pre-mixed alcoholic beverages, other than beer-based; fruit extracts, alcoholic; baijiu [Chinese distilled alcoholic beverage]; alcoholic fruit drinks; alcoholic cocktail drinks; aperitifs; distilled beverages; liqueurs.) (526): None (730): YIBIN TINGHUA LIQUOR INDUSTRY DEVELOPMENT CO. LTD of Shipan Industrial Park, Pingshan Town, Pingshan County, Yibin, Sichuan 645350, China (740): J.K. MUCHAE & COMPANY ADVOCATES of P. O. Box 60664 - 00200, Nairobi



ANOTHER HALF

(210): 128802 (220): 06/07/2023

(300): None (511): 29(Meat, fish, poultry and game; meat extracts; preserved, frozen, dried and cooked fruits and vegetables; jellies, jams, compotes; eggs; milk and milk products; edible oils. Fats and sausages) (526): Registration of this mark shall give no right to the exclusive use of the words 'Farm' and 'Aromatic' each separately and apart from the mark as a whole. (730): SINGITA ENTERPRISES of P. O. Box 675 - 10300, Kerugoya, Kenya (740): None



(210): 128845 (220): 11/07/2023

(300): None (511): 36(Insurance; Financial Affairs; Monetary Affairs; Real Estate.) (526): Registration of this mark shall give no right to the exclusive use of the word 'Homes' separately and apart from the mark as a whole. (730): KENYAN ALLIANCE INSURANCE CO. LTD. of P. O. BOX 30170 - 00100, Nairobi, Kenya (740): None

Kaihomes

(210): 128864 (220): 11/07/2023

(300): None (511): 42(Scientific and technological services and research and design relating thereto; industrial analysis and research services; design and development of computer hardware and software.) (526): Registration of this mark shall give no right to the exclusive use of the words 'Africa' separately and apart from the mark as a whole. (730): NEURAL LABS AFRICA LIMITED of P. O. Box 63427, Nairobi, Kenya (740): None



(210): 129054 (220): 21/07/2023

(300): None (511): 32(aerated waters and other non-alcoholic beverages) (526): Registration of this trademark shall give no right to the exclusive use of the word "MAJI" and "MAX" each separately and apart from the mark as a whole. Maji is a kiswahili word which means water in English. (730): MUTHIGA DAIRIES LIMITED of P. O. Box 43062-00100, Nairobi, Kenya (740): None

MAJI
max

(210): 129107 (220): 25/07/2023

(300): None (511): 39(Transport- Road, Air and Water) and 43(Providing food and drinks also temporary Accomodation) (526): Registration of this mark shall give no right to the exclusive use of the words 'EXPRESS', 'TRAVEL', the acronym 'CO.', 'LTD' and the devices of 'AEROPLANE', 'HUMAN BEING' and a 'HOUSE' per se each separately and apart from the mark as a whole. (730): SETIM BRIAN KIPTUM of P. O. BOX 101659 - 00101, Nairobi, Kenya (740): None



(210): 129132 **(220):** 26/07/2023

(300): None **(511):** 7(Water supply machines [pumps].), 9(Payment software; Radio Frequency payment tokens; Electronic memory tokens; "Magnetic payment tokens; Electronic and magnetic tokens for use in connection with payment for services; Electronic payment software; On line payment software; Offline payment software; Encoded prepaid payment tokens; Computer software for facilitating payment transactions by electronic means; Software; Software applications; Utility software; Apparatus and instruments for measuring, signaling and checking (monitoring) of water; Computer programs for information, analysis and reporting of water use, water efficiency, water conservation, cost analysis, administration, water analysis, invoice management, environmental reporting, environmental impact analysis and trend reporting; Computer programs for use in or in connection with provision and distribution of water; Mobile a s for measuring, monitoring and analyzing water consumption; Mobile apps for transferring credit to prepayment tokens; Mobile apps for managing account funds; Mobile apps for managing maintenance work; Mobile apps for managing time and scheduling; Electronic devices and computer software that allow users to remotely interact with environmental monitoring, control, and automation systems; Electronic surveillance equipment and monitoring modules to monitor water consumption; Apparatus for monitoring domestic or industrial consumption of water; Electrical and electronic apparatus and instruments for use in or in relation to the generation or distribution of water; Computer software for use in relation to the generation and distribution of water; Task management software; Surveying software for water distribution; Surveying software for human settlements and infrastructure; Employee time tracking software; Devices to monitor water turbidity; Devices to monitor water clarity; Human interface devices; Displays for water devices; Displays for vending machines; Vending machines; Information, advisory and consultancy services relating to all the aforesaid.), 11(Sanitary installations, water supply and sanitation equipment; Water supply installations; Water supply apparatus; Hydrants for water supply; Filters for use with apparatus for water supply; Taps for water supply; Apparatus for the supply of water; Apparatus for controlling water supply; Regulating instruments for water supply apparatus; Apparatus for water supply and sanitary purposes; Information, advisory and consultancy services relating to all the aforesaid.), 35(Data processing services; Database management services; Management and planning for third parties in connection with the operation of facilities for the supply of water; Issuance of statements regarding organizational and business issues relating to water; Tracking and monitoring water consumption for others; Tracking and monitoring water supply; Automation of processes using data; Job management; Maintenance scheduling; Time and labour management; Business to business data services; Device management by data services; Information, advisory and consultancy services relating to all the aforesaid), 36(Electronic payment services; Remote payment services; Automated payment of accounts; Electronic wallet payment services; Processing electronic payments made through prepaid tokens; Provision of prepaid tokens; Invoice processing services within water consumption; Apparatus for transmitting payments; Electrical and electronic apparatus and instruments for use in or in relation to transmission of payments; Computer software for



use in relation to transmission of payments; Remote account querying; Remote account statements; Systems and devices for moving credits between accounts; Financial transactions; Information, advisory and consultancy services relating to all the aforesaid.), 37(Water supply installations maintenance; Repair of water supply apparatus; Installation of water supply apparatus; Construction of water supply installations; Water well drilling; Boring of water wells; Construction of facilities for supplying the population with water; Maintenance services in facilities for supplying the population with water; Contracting services for repair and maintenance related to water supply apparatus; Installation, repair, maintenance, servicing and dismantling of water meters; Information, advisory and consultancy services relating to all the aforesaid. Water distribution services; Water supply services; Sustainable water distribution services; Sustainable water supply services; Providing information relating to water supplying services; Public utilities in the nature of supplying water; Information, advisory and consultancy services relating to all the aforesaid.), 39(Water distribution services; Water supply services; Sustainable water distribution services; Sustainable water supply services; Providing information relating to water supplying services; Public utilities in the nature of supplying water; Information, advisory and consultancy services relating to all the aforesaid), 40(Water conditioning and purification; Water treatment; Providing information relating to water treatment; Water management, namely drinking water, service water and waste water treatment, waste water processing, processing and transforming of mineral resources and of other raw materials and of energy and of materials and products produced therefrom and of chemical and petrochemical products of all kinds (refining); Information, advisory and consultancy services relating to all the aforesaid.), 41(Education services relating to water.) and 42(Monitoring of water quality; Analysis of water quality; Technical design services relating to water supply installations; Non-downloadable software for processing electronic payments; Software development; Software engineering; Software design; Software research; Software as a Service [SaaS]; Technical planning for the operation of facilities for supplying the population with water; Scientific and technological services and related research and design; Control of water consumption; Advice, analysis and information on water use, water efficiency, water conservation, water analysis, environmental reporting and environmental impact analysis, cost analysis and administration related to water consumption and environmental impact; Information, advisory and consultancy services relating to all the aforesaid.) (526): Registration of this mark shall give no right to the exclusive use of the letter "E", the words "WATER" and "SERVICES" each separately and apart from the mark as a whole. (730): ROTOAL LIMITED of P. O. Box 764, Sarit Centre, Nairobi, Kenya (740): MUTHONI ADVOCATES of P. O. Box 28397 - 00200, Nairobi, Kenya

(210): 129133 (220): 26/07/2023

(300): None (511): 7(Water supply machines [pumps].), 9(Payment software; Radio Frequency payment tokens; Electronic memory tokens;," Magnetic payment tokens; Electronic and magnetic tokens for use in connection with payment for services; Electronic payment software; On line payment software; Offline payment software; Encoded prepaid payment tokens; Computer software for facilitating payment transactions by electronic means; Software; Software

eWATER

applications; Utility software; Apparatus and instruments for measuring, signaling and checking (monitoring) of water; Computer programs for information, analysis and reporting of water use, water efficiency, water conservation, cost analysis, administration, water analysis, invoice management, environmental reporting, environmental impact analysis and trend reporting; Computer programs for use in or in connection with provision and distribution of water; Mobile a s for measuring, monitoring and analyzing water consumption; Mobile apps for transferring credit to prepayment tokens; Mobile apps for managing account funds; Mobile apps for managing maintenance work; Mobile apps for managing time and scheduling; Electronic devices and computer software that allow users to remotely interact with environmental monitoring, control, and automation systems; Electronic surveillance equipment and monitoring modules to monitor water consumption; Apparatus for monitoring domestic or industrial consumption of water; Electrical and electronic apparatus and instruments for use in or in relation to the generation or distribution of water; Computer software for use in relation to the generation and distribution of water; Task management software; Surveying software for water distribution; Surveying software for human settlements and infrastructure; Employee time tracking software; Devices to monitor water turbidity; Devices to monitor water clarity; Human interface devices; Displays for water devices; Displays for vending machines; Vending machines; Information, advisory and consultancy services relating to all the aforesaid.), 11(Sanitary installations, water supply and sanitation equipment; Water supply installations; Water supply apparatus; Hydrants for water supply; Filters for use with apparatus for water supply; Taps for water supply; Apparatus for the supply of water; Apparatus for controlling water supply; Regulating instruments for water supply apparatus; Apparatus for water supply and sanitary purposes; Information, advisory and consultancy services relating to all the aforesaid.), 35(Data processing services; Database management services; Management and planning for third parties in connection with the operation of facilities for the supply of water; Issuance of statements regarding organizational and business issues relating to water; Tracking and monitoring water consumption for others; Tracking and monitoring water supply; Automation of processes using data; Job management; Maintenance scheduling; Time and labour management; Business to business data services; Device management by data services; Information, advisory and consultancy services relating to all the aforesaid), 36(Electronic payment services; Remote payment services; Automated payment of accounts; Electronic wallet payment services; Processing electronic payments made through prepaid tokens; Provision of prepaid tokens; Invoice processing services within water consumption; Apparatus for transmitting payments; Electrical and electronic apparatus and instruments for use in or in relation to transmission of payments; Computer software for use in relation to transmission of payments; Remote account querying; Remote account statements; Systems and devices for moving credits between accounts; Financial transactions; Information, advisory and consultancy services relating to all the aforesaid.), 37(Water supply installations maintenance; Repair of water supply apparatus; Installation of water supply apparatus; Construction of water supply installations; Water well drilling; Boring of water wells; Construction of facilities for supplying the population with water; Maintenance services in

facilities for supplying the population with water; Contracting services for repair and maintenance related to water supply apparatus; Installation, repair, maintenance, servicing and dismantling of water meters; Information, advisory and consultancy services relating to all the aforesaid. Water distribution services; Water supply services; Sustainable water distribution services; Sustainable water supply services; Providing information relating to water supplying services; Public utilities in the nature of supplying water; Information, advisory and consultancy services relating to all the aforesaid.), 39(Water distribution services; Water supply services; Sustainable water distribution services; Sustainable water supply services; Providing information relating to water supplying services; Public utilities in the nature of supplying water; Information, advisory and consultancy services relating to all the aforesaid), 40(Water conditioning and purification; Water treatment; Providing information relating to water treatment; Water management, namely drinking water, service water and waste water treatment, waste water processing, processing and transforming of mineral resources and of other raw materials and of energy and of materials and products produced therefrom and of chemical and petrochemical products of all kinds (refining); Information, advisory and consultancy services relating to all the aforesaid.), 41(Education services relating to water.) and 42(Monitoring of water quality; Analysis of water quality; Technical design services relating to water supply installations; Non-downloadable software for processing electronic payments; Software development; Software engineering; Software design; Software research; Software as a Service [SaaS]; Technical planning for the operation of facilities for supplying the population with water; Scientific and technological services and related research and design; Control of water consumption; Advice, analysis and information on water use, water efficiency, water conservation, water analysis, environmental reporting and environmental impact analysis, cost analysis and administration related to water consumption and environmental impact; Information, advisory and consultancy services relating to all the aforesaid.) (526): Registration of this mark shall give no right to the exclusive use of the word "WATER" and the letter "E" each separately and apart from the mark as a whole. (730): ROTOAL LIMITED of P.O. Box 764, Sarit Centre, Nairobi, Kenya (740): MUTHONI ADVOCATES of P. O. Box 28397 - 00200, Nairobi

(210): 129137 (220): 26/07/2023

(300): None (511): 9(Scientific, research, navigation, surveying, photographic, cinematographic, udiovisual, optical, weighing, measuring, signalling, detecting, testing, inspecting, life-saving and teaching apparatus and instruments; apparatus and instruments for conducting, switching, transforming, accumulating, regulating or controlling the distribution or use of electricity; apparatus and instruments for recording, transmitting, reproducing or processing sound, images or data; recorded and downloadable media, computer software, blank digital or analogue recording and storage media; mechanisms for coin-operated apparatus; cash registers, calculating devices; computers and computer peripheral devices.) (526): None (730): NAMUWOZA KENYA LIMITED of P. O. Box 19324 - 00100, Nairobi, Kenya (740): None



(210): 129176 **(220):** 28/07/2023
(300): None **(511):** 12(Automobiles; electric cars; electric bicycles; electric motor cycles; motorcycles; electric vehicles; motors for land vehicles; tricycles; rickshaws; reduction gears, machine elements for land vehicles; gear boxes for land vehicles; transmission mechanisms for land vehicles; gearing for land vehicles; motors, electric, for land vehicles; structural parts for automobiles; structural parts for bicycles; structural parts for motorcycles; transmission components for land vehicles; drive units for electric vehicles; camshafts for automobile and motorcycle engines.) **(526):** None **(730):** MUSASHI SEIMITSU KOGYO KABUSHIKI KAISHA (also trading as Musashi Seimitsu Industry Co., Ltd.) of 39-5 Aza Daizen Ueta-Cho, Toyohashi-Shi, Aichi 441-8560, Japan **(740):** NDUNGU NJOROGÉ & KWACH ADVOCATES, LLP of P. O. Box 41546 - 00100, Nairobi, Kenya



(210): 129221 **(220):** 01/08/2023
(300): None **(511):** 30(Espresso drinks, tea drinks, cocoa drinks, coffee drinks, muesli snacks, rice snacks, cereal snacks, granola snacks, tortilla snacks, crispbread snack, rice-based snacks, cereal-based snacks) and 32(Whey drinks, sherbets(drinks), sorbets(drinks), energy drinks, slush drinks, juice drinks, soft drinks, guarana drinks, carbohydrate drinks, protein drinks, fruit drinks, sport drinks, cola drinks.) **(526):** None **(730):** MERAKI FOODS LIMITED of P. O. BOX 254799177177, NAKURU, Kenya **(740):** ELKINGSTON & ASSOCIATES ADVOCATES



(210): 129250 **(220):** 02/08/2023
(300): None **(511):** 19(Building materials (non-metallic) corner blocks cabros hollow blocks pre-stressed beams click blocks, wall panels, partitioning blocks) **(526):** None **(730):** ELIUD NJOROGÉ MURIUKI of P. O. Box 493, Naivasha, Kenya **(740):** None

CASHKAD

(210): 129273 **(220):** 02/08/2023
(300): None **(511):** 32(Beers; mineral and aerated waters and other non-alcoholic drinks; fruit drinks and fruit juices; syrups and other preparations for making beverages.) **(526):** None **(730):** THE COCA-COLA COMPANY of One Coca-Cola Plaza, Atlanta, Georgia 30313, United States of America **(740):** ISEME KAMAU AND MAEMA ADVOCATES of P. O. BOX 11866 - 00400, NAIROBI



(210): 129276 **(220):** 02/08/2023
(300): None **(511):** 1(Fertilizer) **(526):** Registration of this mark shall give no right to the exclusive use of the word "ZINC" and the numerals "7" and "0" each separately and apart from the mark as a whole. **(730):** SINERIA KENYA LIMITED of P. O. Box 79777 - 00200, Nairobi, Kenya **(740):** None



(210): 129288 **(220):** 02/08/2023
(300): None **(511):** 35(Advertising; business management; business administration; office functions) and 36 (Advertising; business management; business administration; office functions.) **(526):** Registration of this mark shall give no right to the exclusive use of the word 'Pay' separately and apart from the mark as a whole. Kargo is a made up name that has no English translation. **(730):** FINSPRINT LIMITED of P. O. Box 98588-80100 Mombasa, Kenya **(740):** None



(210): 129306 **(220):** 04/08/2023
(300): None **(511):** 34(Tobacco and Tobacco substitutes cigarettes and cigars) **(526):** Registration of this trademark shall give no right to then exclusive use of the words "CHINA" and "TOBACCO" each separately and apart from the mark as a whole . The inscription in Chinese translates to China Tobacco.
(730): SHAPO TRADING LIMITED of P. O. Box 9730 - 00100, Kenya **(740):** None



(210): 129333 **(220):** 07/08/2023
(300): None **(511):** 5(Pharmaceuticals and medical preparations.) **(526):** None **(730):** HARLEY'S LIMITED of P. O. Box 42718 - 00100, Nairobi, Kenya **(740):** None

ROPINE

(210): 129348 **(220):** 08/08/2023
(300): None **(511):** 3(Bleaching preparations and other substances for laundry use; cleaning, polishing, scouring and abrasive preparations; soaps; perfumery, essential oils, cosmetics, hair lotions; dentifrices.) **(526):** Registration of this mark shall give no right to the exclusive use of the letter "M" separately and apart from the mark as a whole.
(730): FABSON IMPORT EXPORT LIMITED of Warehouse Nos. FZLIU10AE08, FZLIUU10AE09, FZLIU10AE10, Jebel Ali Free Zone, Dubai, United Arab Emirates **(740):** GICHACHI & COMPANY ADVOCATES of P. O. Box 79659 - 00200, Nairobi, Kenya



(210): 129356 **(220):** 09/08/2023
(300): None **(511):** 9(Scientific, nautical, surveying, photographic, cinematographic, optical, weighing, measuring, signalling, checking (supervision), life-saving and teaching apparatus and instruments; apparatus and instruments for conducting, switching, transforming, accumulating, regulating or controlling electricity; apparatus for recording, transmission or reproduction of sound or images; magnetic data carriers, recording discs; compact discs, DVDs and other digital recording media; mechanisms for coin-operated apparatus; cash registers, calculating machines, data processing equipment, computers; computer software; fire-extinguishing apparatus), 16(Paper, cardboard and goods made from these materials, not included in other classes; printed matter; bookbinding material; photographs; stationery; adhesives for stationery or household purposes; artists' materials; paint brushes; typewriters and office requisites (except furniture); instructional and teaching material (except apparatus); plastic materials for packaging (not included in other classes); printers' type; printing blocks), 35(Advertising; business management; business administration; office functions) and 36(Insurance; financial affairs; monetary affairs; real estate affairs) **(526):** Registration of this mark shall give no right to the exclusive use of the letters "A", "B", "C" and "N" each separately and apart from the mark as a whole. NIA is a kiswahili word inspired by the English word success which conveys prosperity and achievements **(730):** NCBA BANK KENYA PLC of P. O. BOX 44599 - 00100, Mara and Ragati Road., Nairobi, Kenya **(740):** Hamilton Harrison & Mathews Advocates of P. O. Box 30333 - 00100, Nairobi, Kenya

NCBA NIA

(210): 129366 **(220):** 09/08/2023
(300): None **(511):** 28(Toys, games and playthings) **(526):** None **(730):** HASBRO, INC a Rhodel Island Corporation of 1027 Newport Avenue, Pawtucket, Rhode Island 02861, United States of America **(740):** BOWMANS of P. O. Box 10643 - 00100, Nairobi, Kenya

HASBRO

(210): 129369 (220): 09/08/2023
(300): None (511): 28(Toys, games and playthings) (526): None
(730): HASBRO, INC a Rhodel Island Corporation of 1027
Newport Avenue, pawtucket, Rhode Island 02861, United States
of America (740): BOWMANS of P. O. Box 10643 - 00100,
Nairobi, Kenya



(210): 129392 (220): 10/08/2023
(300): None (511): 14(Wristwatches; clocks; watch bands; dials
[clock- and watchmaking]; movements for clocks and watches;
precious stones; earrings; jewellery; paste jewellery; precious
metals/ unwrought or semi-wrought) (526): None (730):
GUANGZHOU JUNXIANG BUSINESS CO., LTD of 208,2/F, No.96,
Shilou Section, Shilian Rd., Shilou Town, Panyu District,
Guangzhou City, China (740): MURI MWANIKI & WAMITI
ADVOCATES of P. O. Box 13726 - 00100, Nairobi, Kenya



(210): 129408 (220): 11/08/2023
(300): None (511): 45(Legal Services) (526): Registration of this
mark shall give no right to the exclusive use of the words
"MWAURE", "WAIHIGA", "CO", "ADVOCATES" and the letters "A",
"M" and "W" each separately and apart from the mark as a
whole. (730): DAVID MWAURE WAIHIGA of P. O. Box 75642-
00200, Nairobi, Kenya (740): None



(210): 129414 (220): 11/08/2023
(300): None (511): 36(Financial, monetary and banking
services; insurance services; real estate affairs) (526):
Registration of this mark shall give no right to the exclusive use
of the words 'Upesi', 'Home', 'Furnished', 'Studio' and
'Apartments' each separately and apart from the mark as a
whole. "Rio" is a short form of "Rio de Janeiro" and it is a city
in Brazil. The translation into English of the Kiswahili word
'Upesi' is 'Hurry'. (730): UPESI MONEY TRANSFER LIMITED of P. O.
Box 60776-00200, Nairobi, Kenya (740): None



(210): 129469 (220): 14/08/2023
(300): None (511): 33(Alcoholic beverages (except beers)
(526): None (730): The Absolut Company Aktiebolag of SE-117
97 Stockholm, Sweden (740): GICHACHI & COMPANY ADVOCATES
of P. O. Box 79659 - 00200, Nairobi, Kenya

BORN TO MIX

(210): 129525 (220): 16/08/2023
(300): None (511): 5(Pharmaceutical preparations to treat high
blood pressure.) (526): Registration of this mark shall give no
right to the exclusive use of the letters "V" and "Z" each
separately and apart from the mark as a whole. (730): Viatrix
Specialty LLC Limited Liability Company Delaware, USA of 3711
Collins Ferry Road, Morgantown, West Virginia 26505, United
States of America (740): J. K. Muchae & Company Advocates of
P. O. BOX 60664 - 00200, Nairobi, Kenya

NORVASC VZ

(210): 129526 **(220):** 16/08/2023
(300): None **(511):** 18(Backpacks; handbags; luggage; purses; umbrellas; wallets; duffle bags; key cases; sports bags; tote bags; travel bags.), 25(Footwear; gloves; hats; loungewear; mittens; neckties; pants; scarves; sleepwear; socks; sweaters; fleece jackets; fleece tops; head wear; shirts; tank tops; athletic pants; baseball caps; clothing jackets; knitted caps; sweat pants; sweat shirts; t-shirts.) and 32(Soft drinks; concentrates, syrups or powders used in the preparation of soft drinks.) **(526):** None **(730):** PEPSICO, INC., a North Carolina Corporation of 700 Anderson Hill Road, Purchase, New York, 10577, United States of America **(740):** J. K. Muchae & Company Advocates of P. O. BOX 60664 - 00200, Nairobi, Kenya



(210): 129581 **(220):** 21/08/2023
(300): None **(511):** 36(Fundraising services by means of organizing, arranging & conducting fundraising program for the benefit of NGO'S (non profit organizations, youth, sport program, schools, government & corporate companies.) **(526):** Registration of this mark shall give no right to the exclusive use of the words 'ASSOCIATION' and 'KENYA' each separately and apart from the mark as a whole. GAMAK is an acronym for Garment Makers Association of Kenya **(730):** GAMAK ASSOCIATION OF KENYA of P. O. Box 66827 - 00800, Nairobi, Kenya **(740):** None



(210): 129624 **(220):** 22/08/2023
(300): None **(511):** 36(Financial affairs; insurance; monetary affairs; real estate affairs) **(526):** Registration of this mark shall give no right to the exclusive use of the letters "B", "C", "K" the words "FARE" and "PAY" each separately and apart from the mark as a whole. **(730):** KCB Bank Kenya Limited of P. O. Box 48400 - 00100, Kencom House 8th Floor, Nairobi, Kenya **(740):** None

KCB FAREPAY

(210): 129657 **(220):** 24/08/2023
(300): None **(511):** 5(Pesticide) **(526):** Registration of this mark shall give no right to the exclusive use of the letters 'A', 'L', 'T', 'D' and the word 'Africa' each separately and apart from the mark as a whole. **(730):** Agrichem Africa LTD of P.O. Box 27151 - 00100, Winsford Industrial Park, Off Baba Dogo Road, Nairobi, Kenya **(740):** None



(210): 129684 **(220):** 25/08/2023
(300): None **(511):** 31(Hybrid Seeds) **(526):** Registration of this mark shall give no right to the exclusive use of the word "WATERMELON", the letter "F", the numeral "1" and device of a "WATER MELON FRUIT" each separately and apart from the mark as a whole. Tawala is a kiswahili word which means dominate. Nia is a kiswahili word that means 'A plan' in English. **(730):** NIA SEEDS LTD of P. O. BOX 562 - 00623, NAIROBI, Kenya **(740):** None



(210): 129685 **(220):** 25/08/2023
(300): None **(511):** 1(Foliar Fertilizer) **(526):** Registration of this trademark shall give no right to the exclusive use of the word "RICH", "NANO", "LIQUID", "BIOSTIMULANT", "SMART", "TECHNOLOGY" and the letter "N" each separately and apart from the mark as a whole. "Nia" is a Kiswahili word that means "A plan" in English. **(730):** NIA SEEDS LTD of P. O. BOX 562 - 00623, NAIROBI, Kenya **(740):** None



N-RICH NANO LIQUID - powered by SMART-BIOSTIMULANT™ technology

(210): 129715 **(220):** 28/08/2023
(300): None **(511):** 5(Pharmaceuticals) **(526):** None **(730):** YILING KENYA INTERNATIONAL LIMITED of P. O. Box 71888 - 00100, Nairobi, Kenya **(740):** None

BEYONDAGE

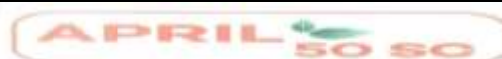
(210): 129748 **(220):** 30/08/2023
(300): None **(511):** 5(Herbicide) **(526):** None **(730):** GOOD AGRICULTURAL PRACTICE TECHNOLOGY E.A LTD of P. O. Box 4565, Nakuru, Kenya **(740):** None

GAPSETT

(210): 129755 **(220):** 30/08/2023
(300): None **(511):** 30(Coffee, tea, cocoa and artificial coffee; rice, pasta and noodles; tapioca and sago; flour and preparations made from cereals; bread, pastries and confectionery; chocolate; ice cream, sorbets and other edible ices; sugar, honey, treacle; yeast, baking-powder; salt, seasonings, spices, preserved herbs; vinegar, sauces and other condiments; ice (frozen water) and 43(Services for providing food and drink; temporary accommodation.) **(526):** None **(730):** EDGAR ALDEN EDMONDS of 1 East 66th street, NY NY 10065, United States of America **(740):** JGIP CONSULTANTS of P. O. BOX 42588, Nairobi, Kenya

SUBZ

(210): 129795 **(220):** 01/09/2023
(300): None **(511):** 5(Preparations for destroying vermin, herbicides and fungicides) **(526):** Registration of this mark shall give no right to the exclusive use of the letters 'C', 'S', the numerals '0', '5' and the device of 'Leaves' each separately and apart from the mark as a whole. **(730):** SINERIA KENYA LIMITED, a limited liability company incorporated in Kenya of P. O. Box 79777 - 00200, Nairobi, Kenya **(740):** None



(210): 129800 **(220):** 01/09/2023
(300): None **(511):** 16(Paper, cardboard and goods made from these materials, not included in other classes; Printed matter; Bookbinding material; Photographs; Stationery; adhesives for stationery or household purposes; Artists' materials; Paint brushes; Typewriters and office requisites (except furniture); Instructional and teaching material (except apparatus); Plastic materials for packaging (not included in other classes); Printers' type; Printing blocks.) **(526):** None **(730):** Sokowatch Limited of P. O. Box 76119 - 00508, 3rd Floor, Santeu Plaza Glana Road, Nairobi, Kenya **(740):** MWC Legal LLP of P. O. Box 44468 - 00100, Nairobi, Kenya



(210): 129823 **(220):** 04/09/2023
(300): None **(511):** 9(Computer software, computer game software; computer game software downloadable via wireless devices; computer application software for mobile phones; computer game software and entertainment software, namely, graphics and digital music files for use on or with mobile and cellular phones, and other wireless devices, recorded video game programs; downloadable video game software; recorded and downloadable media.), 16(Paper and cardboard; printed matter; bookbinding material; photographs; stationery and office requisites, except furniture; adhesives for stationery or household purposes; drawing materials and materials for artists; plastic sheets, films and bags for wrapping and packaging; printers' type, printing blocks.), 35(Advertising, namely on-line retail store services featuring downloadable computer and video games; providing consumer product information and advertising and commercial information regarding computer and video games available for purchase via an online searchable database; providing information about the goods of others via the global computer network; retail store services featuring computer and video games.), 38(Providing internet chatrooms and online forums for transmission of messages among computer users; streaming of data; streaming of video material on the Internet; streaming of audio, video, audiovisual, video game, data, and software applications material on the Internet, electronic



transmission and streaming of digital media content for others via global and local computer networks; providing on-line forums streaming of audio, visual, and audiovisual material via a global computer network.), 41(Entertainment services, namely, providing information relating to electronic computer games via the internet; providing an on-line computer game; providing computer games accessed and played via mobile and cellular phones and other wireless devices; organization of sports competitions, online gaming services.), 42(Development of computer software with respect to computer games and video games; design and development of computer software with respect to computer game events and video game events, tournaments and leagues; design and development of websites for computer games and video games, applications for portable communications devices, design and development of computer software for the processing and analysis of statistical data and information on computer games and video games and computer and video game tournaments; information and advice with respect to all the above-listed services.) and 45(Online social networking services namely, facilitating social introductions or interactions among individuals; online social networking services in the fields of entertainment, gaming and application development; providing information about online social networks where users participate in online gaming, online video games and online video gaming applications; providing online social networking service via an internet website portal; providing information in the field of online social networking.)

(526): Registration of this mark shall give no right to the exclusive use of the words "GAME" and "TRIBE" each separately and apart from the mark as a whole. **(730):** GAME TRIBE AFRICA LIMITED of P. O. Box 13412 - 00800, Ikigai Lower Kabete, Westlands, Nairobi, Kenya **(740):** None

(210): 129824 **(220):** 04/09/2023

(300): None **(511):** 9(Computer software, computer game software; computer game software downloadable via wireless devices; computer application software for mobile phones; computer game software and entertainment software, namely, graphics and digital music files for use on or with mobile and cellular phones, and other wireless devices, recorded video game programs; downloadable video game software; recorded and downloadable media.), 16(Paper and cardboard; printed matter; bookbinding material; photographs; stationery and office requisites, except furniture; adhesives for stationery or household purposes; drawing materials and materials for artists; plastic sheets, films and bags for wrapping and packaging; printers' type, printing blocks.), 35(Advertising, namely on-line retail store services featuring downloadable computer and video games; providing consumer product information and advertising and commercial information regarding computer and video games available for purchase via an online searchable database; providing information about the goods of others via the global computer network; retail store services featuring computer and video games.), 38(Providing internet chatrooms and online forums for transmission of messages among computer users; streaming of data; streaming of video material on the Internet; streaming of audio, video, audiovisual, video game, data, and software applications material on the Internet, electronic transmission and streaming of digital media content for others via global and local computer networks; providing on-line forums streaming of audio, visual, and audiovisual material via a global computer network.), 41(Entertainment services, namely, providing information relating to electronic computer

GAME TRIBE

games via the internet; providing an on-line computer game; providing computer games accessed and played via mobile and cellular phones and other wireless devices; organization of sports competitions, online gaming services.), 42(Development of computer software with respect to computer games and video games; design and development of computer software with respect to computer game events and video game events, tournaments and leagues; design and development of websites for computer games and video games, applications for portable communications devices, design and development of computer software for the processing and analysis of statistical data and information on computer games and video games and computer and video game tournaments; information and advice with respect to all the above-listed services.) and 45(Online social networking services namely, facilitating social introductions or interactions among individuals; online social networking services in the fields of entertainment, gaming and application development; providing information about online social networks where users participate in online gaming, online video games and online video gaming applications; providing online social networking service via an internet website portal; providing information in the field of online social networking.) (526): Registration of this mark shall give no right to the exclusive use of the words "GAME" and "TRIBE" each separately and apart from the mark as a whole. (730): GAME TRIBE AFRICA LIMITED of P. O. Box 13412 - 00800, Ikigai Lower Kabete, Westlands, Nairobi, Kenya (740): None

(210): 129826 (220): 04/09/2023

(300): None (511): 29(Dairy products; milk and milk products; milk based beverages including flavoured milk drinks; milk shakes; beverages predominantly made from milk substitutes; yoghurt and yoghurt based beverages; mousse; fromage frais; desserts included in class 29.) (526): None (730): Cadbury UK Limited Limited United Kingdom of P.O. Box 12, Bournville Lane, Bournville, Birmingham B30 2LU, United Kingdom (740): Coulson Harney Advocates of P. O. BOX 10643 - 00100, 00100, NAIROBI, Kenya

(210): 129848 (220): 05/09/2023

(300): None (511): 16(Paper and cardboard; printed matter; bookbinding material; photographs; stationery and office requisites, except furniture; adhesives for stationery or household purposes; artists' and drawing materials; paintbrushes; instructional and teaching materials; plastic sheets, films and bags for wrapping and packaging ; printers' type, printing blocks.) and 30(Coffee, tea, cocoa and artificial coffee; rice; tapioca and sago; flour and preparations made from cereals; bread, pastries and confectionery; edible ices; sugar, honey, treacle; yeast, baking - powder: salt: mustard: vinegar, sauces (condiments); spices; ice.) (526): Registration of this mark shall give no right to the exclusive use of the letters "K", "I" each separately and apart from the mark as a whole. (730): KENAFRIC INDUSTRIES LIMITED of P. O. BOX 39257 - 00623 Nairobi, Kenya (740): None

CADBURY



(210): 129859 **(220):** 06/09/2023
(300): None **(511):** 41(Education; providing of training; entertainment; sporting and cultural activities.) **(526):** Registration of this mark shall give no right to the exclusive use of the letters "M", "H" and "S", the symbol of a "BIRD" and the words "JISHINDE" and "USHINDE" each separately and apart from the mark as a whole. **(730):** MANG'U HIGH SCHOOL of P. O. Box 314 - 00100, THIKA, Kenya **(740):** MCKAY ADVOCATES of P. O. Box 29884 - 00100, Nairobi, Kenya



(210): 129865 **(220):** 07/09/2023
(300): None **(511):** 3(Non-medicated cosmetics and toiletry preparations; non-medicated dentifrices; perfumery, essential oils; bleaching preparations and other substances for laundry use; cleaning, polishing, scouring and abrasive preparations.) **(526):** Registration of this mark shall give no right to the exclusive use of the word "Botanicals" and the device of a "Leaf per se" each separately and apart from the mark as a whole. The translation into English of the Muslim word 'Nabawi' is 'Attribute Like a Prophet' **(730):** BOTANICALS LTD of P. O. Box 46041 - 00100, Nairobi, Kenya **(740):** None



(210): 129874 **(220):** 07/09/2023

(300): None **(511):** 5(Pharmaceuticals, medical and veterinary preparations; sanitary preparations for medical purposes; dietetic food and substances adapted for medical or veterinary use, food for babies; dietary supplements for human beings and animals; plasters, materials for dressings; material for stopping teeth, dental wax; disinfectants; preparations for destroying vermin; fungicides, herbicides.) **(526):** None **(730):** Getz Pharma International, FZ LLC of Office No. 307, 13th Floor, Al-Thuraya Tower 1, Dubai Media City, Dubai, United Arab Emirates **(740):** BOWMANS of P. O. Box 10643 - 00100, Nairobi, Kenya

TAPIGET

(210): 129905 **(220):** 08/09/2023

(300): None **(511):** 1(Biological plant fertilizers and nutrients; Biostimulants being plant nutrition preparations; crop nutrition preparations; fertilizers; organic fertilizers.) **(526):** None **(730):** Certis U.S.A. L.L.C. of 9145 Guilford Rd, Suite 175, Columbia, Maryland 21046, United states of America **(740):** IKM ADVOCATES of P. O. BOX 11866 - 00400, NAIROBI

PLANTUP

(210): 129915 **(220):** 11/09/2023

(300): None **(511):** 33(Alcoholic Beverages) **(526):** Registration of this mark shall give no right to the exclusive use of the Words "BLENDED", "BRANDY" and the surname "NAPOLEON" each separately and apart from the mark as a whole. **(730):** LONDON DISTILLERS (K) LTD of P.O. Box 57387 - 00200, Nairobi, Kenya **(740):** None

**CROWN NAPOLEON
 BLENDED BRANDY**

(210): 129918 **(220):** 11/09/2023

(300): None **(511):** 9(Scientific, research, navigation, surveying, photographic, cinematographic, audiovisual, optical, weighing, measuring, signalling, detecting, testing, inspecting, life-saving and teaching apparatus and instruments; apparatus and instruments for conducting, switching, transforming, accumulating, regulating or controlling the distribution or use of electricity; apparatus and instruments for recording, transmitting, reproducing or processing sound, images or data; recorded and downloadable media, computer software, blank digital or analogue recording and storage media; mechanisms for coin-operated apparatus; cash registers, calculating devices; computers and computer peripheral devices; diving suits, divers' masks, ear plugs for divers, nose clips for divers and swimmers,

NEON SMARTA

gloves for divers, breathing apparatus for underwater swimming; fire-extinguishing apparatus.), 25(Clothing, footwear, headwear.), 35(Advertising; business management, organization and administration; office functions.), 38(Telecommunications services.) and 42(Scientific and technological services and research and design relating thereto; industrial analysis, industrial research and industrial design services; quality control and authentication services; design and development of computer hardware and software.) **(526)**: Registration of this mark shall give no right to the exclusive use of the words "NEON" each separately and apart from the mark as a whole. The word "SMARTA" is an invented word **(730)**: SAFARICOM PLC of P. O. Box 66827 - 00800, Safaricom House, Waiyaki Way, Nairobi, Kenya **(740)**: ENSafrica NBMA ADVOCATES LLP of P. O. Box 12342 - 00100, Nairobi, Kenya

(210): 129919 **(220)**: 11/09/2023

(300): None **(511)**: 9(Scientific, research, navigation, surveying, photographic, cinematographic, audiovisual, optical, weighing, measuring, signalling, detecting, testing, inspecting, life-saving and teaching apparatus and instruments; apparatus and instruments for conducting, switching, transforming, accumulating, regulating or controlling the distribution or use of electricity; apparatus and instruments for recording, transmitting, reproducing or processing sound, images or data; recorded and downloadable media, computer software, blank digital or analogue recording and storage media; mechanisms for coin-operated apparatus; cash registers, calculating devices; computers and computer peripheral devices; diving suits, divers' masks, ear plugs for divers, nose clips for divers and swimmers, gloves for divers, breathing apparatus for underwater swimming; fire-extinguishing apparatus.), 5(Clothing, footwear, headwear.), 35(Advertising; business management, organization and administration; office functions) 38(Telecommunications services.) and 45(Scientific and technological services and research and design relating thereto; industrial analysis, industrial research and industrial design services; quality control and authentication services; design and development of computer hardware and software.) **(526)**: Registration of this mark shall give no right to the exclusive use of the words "NEON" and "ULTRA" each separately and apart from the mark as a whole. **(730)**: SAFARICOM PLC of P. O. Box 46350 - 00100, Safaricom House, Waiyaki Way, Westlands., NAIROBI, Kenya **(740)**: ENSafrica NBMA ADVOCATES LLP of P.O. Box 12342 - 00100, Nairobi, Kenya

(210): 129957 **(220)**: 12/09/2023

(300): None **(511)**: 9(Computer software, including downloadable software and mobile applications; computers and computer hardware, including computer terminals and cellphones for banking purposes; computer application software; computer databases; computer programs; electronic terminals; scientific, surveying, photographic, cinematographic, optical, weighing, measuring, signalling, checking (supervision); apparatus for recording, transmission or reproduction of sound or images; magnetic data carriers, recording discs; compact discs, DVDs and other digital recording media; cash registers, calculating machines, data processing equipment;), 36(Financial, monetary and banking services; money management and monetary affairs; money exchange and transfer services; digital financial services; financial services provided over an electronic or mobile network; financial transfers, transactions and payment services; insurance;),

NEON ULTRA

JUMBO

38(Telecommunications;) and 42(Design and development of computer hardware and software; providing software as a service and cloud computing; hosting services; scientific and technological services and research and design relating thereto; industrial analysis and research services.) **(526)**: Registration of this mark shall give no right to the exclusive use of the letter "O" separately and apart from the mark as a whole. **(730)**: JUMO WORLD HOLDING LIMITED a private company incorporated in accordance with laws of Mauritius of 4th Floor,Ebene Skies, Rue de l'Institut,Ebene, c/o International Trust Limited, Level 3, Alexander House 35, Cybercity, Ebene, Mauritius **(740)**: BOWMANS of P.O. Box 10643 - 00100, NAIROBI

(210): 129966 **(220)**: 13/09/2023

(300): None **(511)**: 32(Non-alcoholic beverages and beers) and 33(Alcoholic beverages) **(526)**: Registration of this mark shall give no right to the exclusive use of the words 'KENYAN', 'DISTILLED' and numbers '5', '8' each separately and apart from the mark as a whole. Mark is in colour Orange & Pink on white background **(730)**: SAVANNAH BRANDS COMPANY LIMITED of P.O.Box 14208 - 00800, NAIROBI, Kenya **(740)**: None



(210): 129967 **(220)**: 13/09/2023

(300): None **(511)**: 32(Non-alcoholic beverages and beers) and 33(Alcoholic beverages) **(526)**: Registration of this mark shall give no right to the exclusive use of the letters 'K' and 'O' each separately and apart from the mark as a whole. Mark is in Black and white **(730)**: SAVANNAH BRANDS COMPANY LIMITED of P.O.Box 14208 - 00800, NAIROBI, Kenya **(740)**: None



(210): 129976 **(220)**: 13/09/2023

(300): None **(511)**: 45(Religious services) **(526)**: SABCRYNNSK is a coined word composing of a combination of letters.S-Soi, A-African, B/P-Prophet, B-for second, C-Church, R-For spirit/Roho, Y-Of/ya in Kiswahili, N-Tears, N-Blood (Namasika,Namavanga in Luhya,in Swahili na majazi na damu), S-South, K-Kabras **(730)**: AFRICAN KENYA SABCRYNNSK OF SOI of P. O. Box 25, kambiri, Kenya **(740)**: None



(210): 129998 **(220)**: 15/09/2023

(300): None **(511)**: 16(Plastic packaging bags), 17(bags [envelopes, pouches] of rubber, for packaging) and 18(bags(envelopes, pouches) of leather for packaging) **(526)**: Registration of this mark shall give no right to the exclusive use of the word 'FRESH' and the device of the Leaf each separately and apart from the mark as a whole. **(730)**: ADVANCE PACKAGING MANUFACTURERS LIMITED of P. O. Box 48811-00100, Nairobi, Kenya **(740)**: RAFFMAN DHANJI ELMS & VIRDEE ADVOCATES LLP of P. O. Box 10719 - 00100, NAIROBI



(210): 129999 **(220)**: 15/09/2023

(300): None **(511)**: 16(Plastic packaging bags), 17(bags[envelopes, pouches] of rubber, for packaging) and 18(bags(envelopes, pouches) of leather for packaging) **(526)**: Registration of this mark shall give no right to the exclusive use of the word 'FRESH' an the device of the Leaf each separately and apart from the mark as a whole. **(730)**: ADVANCE PACKAGING MANUFACTURERS LIMITED of P. O. Box 48811-00100, Nairobi, Kenya **(740)**: RAFFMAN DHANJI ELMS & VIRDEE LLP of P. O. Box 10719 - 00100, 00100, Nairobi



(210): 130000 **(220):** 15/09/2023

(300): None **(511):** 17(Bags envelopes, pouches of rubber for packaging) **(526):** Registration of this mark shall give no right to the exclusive use of the word 'Fresh' and the device of the 'leaf' each separately and apart from the mark as a whole. **(730):** ADVANCE PACKAGING MANUFACTURERS LIMITED of P. O. Box 48811-00100, Nairobi, Kenya **(740):** Raffman Dhanji Elms & Virdee Advocates LLP of P. O. Box 10719-00100, 00100, Nairobi

FLORAfresh

(210): 130001 **(220):** 15/09/2023

(300): None **(511):** 16(Plastic packaging bags), 17(bags envelopes, pouches of rubber, for packaging) and 18(bags envelopes, pouches of leather, for packaging) **(526):** Registration of this mark shall give no right to the exclusive use of the word "fresh" and the device of the "leaf" each separately **(730):** ADVANCE PACKAGING MANUFACTURERS LIMITED of P. O. Box 48811-00100, Nairobi, Kenya **(740):** RAFFMAN DHANJI ELMS & VIRDEE ADVOCATES LLP of P. O. BOX 10719 - 00100 NAIROBI

MAXfresh

(210): 130003 **(220):** 15/09/2023

(300): None **(511):** 35(Advertising; business management; business administration; office functions) and 41(Education; providing of training; entertainment; sporting and cultural activities) **(526):** Registration of this mark shall give no right to the exclusive use of the words 'The' 'Family' and 'Jesus' each separately and apart from the mark as a whole. The word 'Wajesus' is a hybrid word formed by using the Kikuyu word 'Wa' which means 'Belonging to ' and the english word 'Jesus' which refers to the name of religious leader and symbol of the christian religion. Together the two words form 'Wajesus' which means 'Belonging to Jesus' **(730):** PETER KABI AND MILLICENT WAMBUI NGANGA of P. O. Box 00621-00200, Kenya **(740):** Mwenda Njagi & Co. Advocates of P. O. Box 9394 - 00200, Nairobi, Kenya



(210): 130004 **(220):** 15/09/2023

(300): None **(511):** 9(Vehicle tracking systems; alarm installations) and 12(Parts and fittings for vehicles anti-theft, security and safety devices and equipment for vehicles.) **(526):** None **(730):** TRANSCOM VENTURES LIMITED of P. O. Box 493 - 20117, Naivasha, Kenya **(740):** None



(210): 130012 **(220):** 15/09/2023

(300): None **(511):** 9(Scientific, research, navigation, surveying, photographic, cinematographic, audio visual, optical, weighing, measuring, signalling, detecting, testing, inspecting, life- saving and teaching apparatus and instruments; apparatus and instruments for conducting, switching, transforming, accumulating, regulating or controlling the distribution or use of electricity; apparatus and instruments for recording, transmitting, reproducing or processing sound, images or data; recorded and downloadable media, computer software, blank digital or analogue recording and storage media; mechanisms for coin-operated apparatus; cash registers, calculating devices; computers and computer peripheral devices; diving suits, divers' masks, ear plugs for divers, nose clips for divers and swimmers, gloves for divers, breathing apparatus for underwater swimming; fire-extinguishing apparatus; computer software applications; artificial intelligence software for healthcare; machine learning software for healthcare; software applications for use in financial services; software relating to the handling of financial transactions; computer e-commerce software to allow users to perform electronic transactions via a global computer network; software for sending electronic message alerts and reminders via the internet; computer programs for financial management; computer programs relating to financial matters;

**ABSA YOUR STORY
MATTERS**

payment software; apparatus for receiving cash payments; electronic financial transaction apparatus; mechanisms for pre-payment apparatus; machines for executing remote financial transactions; automatic access security apparatus; data security apparatus; software for generating virtual images; machine readable devices for cashless payment systems; automatic access control systems; computer communications software to allow customers to access bank account information and transact bank business; interface software; virtual assistant software), 16(Paper and cardboard; printed matter; bookbinding material; photographs; stationery and office requisites. except furniture; adhesives for stationery or household purposes; drawing materials and materials for artists; paintbrushes; instructional and teaching materials; plastic sheets, films and bags for wrapping and packaging; printers' type, printing blocks; printed matter representing monetary value or for financial purposes; financial documents; financial planning guides; printed publications relating to financial services; newsletters relating to financial matters), 35(Advertising; business management, organization and administration; office functions; offering for sale and the sale of goods in the retail and wholesale trade; retail and wholesale services, including online retail services; financial auditing services; compilation of business and commercial information; collection of commercial information; provision of information relating to commerce; accounting services; preparation of accounts and statements of accounts; tax services; computerised payroll preparation; payroll advisory services; payroll preparation services; invoicing services; business administration and consultation services; compiling indexes of information for customers to access and view; the bringing together, for the benefit of others, of a variety of goods, enabling customers to conveniently view and purchase those goods; consumer response analysis; providing consumer product advice; providing consumer product recommendations; rewards programs; consumer loyalty services for commercial, promotional, and/or advertising purposes; administration of loyalty programs involving discounts or incentives; charitable services, namely business management and administration; charitable services, namely organising and conducting volunteer programmes and community service projects (management services); charitable services, namely the recruitment, organisation and deployment of volunteers; arranging promotion of charitable fundraising events; developing and coordinating volunteer projects for charitable organisations (management services); promotional services, namely, promoting the charities of others; charitable services, namely, coordination of non-monetary contributions to charities and non-profit organisations (management services); promoting awareness of the benefits of making health, wellness and nutritional changes in daily living to enable businesses to increase productivity and lower health care costs; vocational guidance and advisory services; career counselling and planning services; job placement services; personnel recruitment services), 6(Financial, monetary and banking services; insurance services; real estate services; facilitating or arranging financial transactions; financial advisory services; merchant banking; electronic debit transactions; electronic credit transactions; online financial transactions; financial transfers and transactions and payment services; electronic banking; conducting cashless payment transactions; payment processing services; processing of payments for banks; automated payment services; payment

administration services; contactless payment services; loyalty program payment processing services; providing cash and other rebates for use as part of a customer loyalty program; issuing of tokens of value in relation to customer loyalty schemes; charitable collections; charitable fundraising; charitable services, namely, financial services; investment of funds for charitable purposes; providing information relating to charitable fundraising; charitable fundraising by means of directing a portion of customer's fees to a charity of customer's choice; charitable fundraising services by means of a website where donors search for and make monetary donations to specific charities or projects; charitable fundraising by means of entertainment events), 38(Telecommunications services; providing access to computer data bases; computer and mobile communication services; providing online forums; providing online chatrooms for the transmission of messages and multimedia content among users; instant messaging services; internet portal services; internet portal services for the purpose of facilitating banking or financial transactions), 39(Transport; packaging and storage of goods; travel arrangement; transportation of money; car rental services), 41(Education; providing of training; entertainment; sporting and cultural activities; charitable services; charitable services, including academic mentoring, education and training; arranging and conducting of entertainment events, sports events and educational events for charitable purposes; coaching and trainingservices; life coaching services; coaching relating to finance; providing group coaching and in-person learning forums; mentoring (education and training); business mentoring services; mentoring and support services; education courses relating to finance; health and wellness training; arranging and conducting online workshops in the field of wellness; conducting fitness classes as part of a wellness programme; education services, namely, providing seminars and panel discussions in the field of exercise, fitness, wellness, personal development, sleep and stress management; providing online electronic publications and videos; provision of education services via an online forum; organisation of games and competitions; publication of educational materials; business educational services; business training consultancy services; business training services; mentoring; conducting of business conferences; coaching relating to finance; training services relating to finance; courses relating to finance), 42(Scientific and technological services and research and design relating thereto; industrial analysis, industrial research and industrial design services; quality control and authentication services; design and development of computer hardware and software; design of information systems relating to finance; operation of websites and online transactional platforms; authentication services; computer and technology services for data encryption; electronic monetary and financial transaction monitoring; user authentication services using technology for e-commerce transactions), 44(Medical services; veterinary services; hygienic and beauty care for human beings or animals; agriculture, aquaculture, horticulture and forestry services; life coaching being psychological and counselling services; health care services, namely, wellness programs; health counselling services; mental health services; providing mental health and wellness information; medical screening as part of a wellness event; conducting telephone and in-person personal lifestyle wellness assessments; counselling in the field of mental health and wellness; counselling services in the fields of health,

nutrition and lifestyle wellness; providing information in the fields of health and wellness; providing information about health, wellness and nutrition via a website; providing wellness services, namely, personal assessments, personalised routines, maintenance schedules, and counselling; medical counselling relating to stress; holistic health services) and 45(Legal services; security services for the physical protection of tangible property and individuals; dating services, online social networking services; funerary services; babysitting; personal and social services regarding individual needs; personal and social services rendered by others to meet the needs of individuals; mentoring (personal or spiritual) for charitable purposes; wellness services being spiritual guidance and non-therapeutic counselling to meet the needs of individuals; life coaching being personal mentoring and non-therapeutic counselling services) (526): None (730): ABSA BANK LIMITED, a South African company of 7th Floor Barclays Towers West 15 Troye Street Johannesburg Gauteng, South Africa (740): Coulson Harney Advocates of P. O. Box 10643 - 00100, Nairobi, Kenya

(210): 130037 (220): 18/09/2023

(300): None (511): 1(Chemicals used in Industry) (526): None (730): REHSI VENTURES LIMITED of P. O. Box 26257-00504, Nairobi, Kenya (740): None

JINTINT

(210): 130037 (220): 18/09/2023

(300): None (511): 1(Chemicals used in Industry) (526): None (730): REHSI VENTURES LIMITED of P. O. Box 26257- 00504, Nairobi, Kenya (740): None

JINTINT

(210): 130040 (220): 18/09/2023

(300): None (511): 41(Entertainment) (526): 'KUKY' is a corruption of the word COOKIE and its purpose is to be used as a stage name for an Artist/Musician (730): ASHAS TALENT MANAGEMENT LIMITED of P. O. Box 485 - 00618, Nairobi, Kenya (740): None

KUKY

(210): 130054 (220): 19/09/2023

(300): None (511): 1(Chemicals used in industry, science and photography, as well as in agriculture, horticulture and forestry; unprocessed artificial resins, unprocessed plastics; manures; fire extinguishing compositions; tempering and soldering preparations; chemical substances for preserving foodstuffs; tanning substances; adhesives used in industry.) and 5(Pharmaceutical and veterinary preparations; sanitary preparations for medical purposes; dietetic substances adapted for medical use, food for babies; plasters, materials for dressings; material for stopping teeth, dental wax; disinfectants; preparations for destroying vermin; fungicides, herbicides.) (526): None (730): EAST AFRICAN BUSINESS COMPANY LIMITED of P. O. BOX 29024 - 00100, Agent Distributor Dealer and Retailers, Nairobi, Kenya (740): None

VARSHA

(210): 130055 (220): 19/09/2023

(300): None (511): 1(Chemicals used in industry, science and photography, as well as in agriculture, horticulture and forestry; unprocessed artificial resins, unprocessed plastics; manures; fire extinguishing compositions; tempering and soldering preparations; chemical substances for preserving foodstuffs; tanning substances; adhesives used in industry.) and 5(Pharmaceutical and veterinary preparations; sanitary preparations for medical purposes; dietetic substances adapted for medical use, food for babies; plasters, materials for dressings; material for stopping teeth, dental wax;

BHOMIKA

disinfectants; preparations for destroying vermin; fungicides, herbicides.) (526): None (730): EAST AFRICAN BUSINESS COMPANY LIMITED of P.O. BOX 29024 - 00100, Nairobi, Kenya (740): None

(210): 130056 (220): 19/09/2023

ZIBBER

(300): None (511): 1(Chemicals used in industry, science and photography, as well as in agriculture, horticulture and forestry; unprocessed artificial resins, unprocessed plastics; manures; fire extinguishing compositions; tempering and soldering preparations; chemical substances for preserving foodstuffs; tanning substances; adhesives used in industry.) and 5(Pharmaceutical and veterinary preparations; sanitary preparations for medical purposes; dietetic substances adapted for medical use, food for babies; plasters, materials for dressings; material for stopping teeth, dental wax; disinfectants; preparations for destroying vermin; fungicides, herbicides.) (526): None (730): EAST AFRICAN BUSINESS COMPANY LIMITED of P. O. BOX 29024 - 00100, Nairobi, Kenya (740): None

(210): 130057 (220): 19/09/2023

AGNEE

(300): None (511): 1(Chemicals used in industry, science and photography, as well as in agriculture, horticulture and forestry; unprocessed artificial resins, unprocessed plastics; manures; fire extinguishing compositions; tempering and soldering preparations; chemical substances for preserving foodstuffs; tanning substances; adhesives used in industry.) and 5(Pharmaceutical and veterinary preparations; sanitary preparations for medical purposes; dietetic substances adapted for medical use, food for babies; plasters, materials for dressings; material for stopping teeth, dental wax; disinfectants; preparations for destroying vermin; fungicides, herbicides.) (526): None (730): EAST AFRICAN BUSINESS COMPANY LIMITED of P.O. BOX 29024 - 00100, Nairobi, Kenya (740): None

(210): 130058 (220): 19/09/2023

VEERA

(300): None (511): 1(Chemicals used in industry, science and photography, as well as in agriculture, horticulture and forestry; unprocessed artificial resins, unprocessed plastics; manures; fire extinguishing compositions; tempering and soldering preparations; chemical substances for preserving foodstuffs; tanning substances; adhesives used in industry.) and 5(Pharmaceutical and veterinary preparations; sanitary preparations for medical purposes; dietetic substances adapted for medical use, food for babies; plasters, materials for dressings; material for stopping teeth, dental wax; disinfectants; preparations for destroying vermin; fungicides, herbicides.) (526): None (730): EAST AFRICAN BUSINESS COMPANY LIMITED, Agent, Distribution, Dealer and Retail of P.O. BOX 29024 - 00100, Nairobi, Kenya (740): None

(210): 130059 (220): 19/09/2023

HARIZ

(300): None (511): 1(Chemicals used in industry, science and photography, as well as in agriculture, horticulture and forestry; unprocessed artificial resins, unprocessed plastics; manures; fire extinguishing compositions; tempering and soldering preparations; chemical substances for preserving foodstuffs; tanning substances; adhesives used in industry.) and 5(Pharmaceutical and veterinary preparations; sanitary preparations for medical purposes; dietetic substances adapted for medical use, food for babies; plasters, materials for dressings; material for stopping teeth, dental wax; disinfectants; preparations for destroying vermin; fungicides,

herbicides.) (526): None (730): EAST AFRICAN BUSINESS COMPANY LIMITED agents, distributors, dealers and retailers of P. O. BOX 29024 - 00100, Nairobi, Kenya (740): None

(210): 130120 (220): 21/09/2023

(300): None (511): 9(Scientific, nautical, surveying, photographic, cinematographic, optical, weighing, measuring, signaling, checking (supervision), life-saving and teaching apparatus and instruments; apparatus and instruments for conducting, switching, transforming, accumulating, regulating or controlling electricity; apparatus for recording, transmission or reproduction of sound or images; magnetic data carriers, recording discs; compact discs, DVDs and other digital recording media; mechanisms for coin-operated apparatus; cash registers, calculating machines, data processing equipment, computers; computer software; fire-extinguishing Apparatus.), 36(Insurance; financial affairs; monetary affairs; real estate affairs.) and 42(Scientific and technological services and research and design relating thereto; industrial analysis and research services; design and development of computer hardware and software) (526): None (730): BUSHA DIGITAL LIMITED of P. O. Box 60779 - 00100, Nairobi, Kenya (740): None

BUSHA

(210): 130121 (220): 21/09/2023

(300): None (511): 9(Scientific, nautical, surveying, photographic, cinematographic, optical, weighing, measuring, signaling, checking (supervision), life-saving and teaching apparatus and instruments; apparatus and instruments for conducting, switching, transforming, accumulating, regulating or controlling electricity; apparatus for recording, transmission or reproduction of sound or images; magnetic data carriers, recording discs; compact discs, DVDs and other digital recording media; mechanisms for coin-operated apparatus; cash registers, calculating machines, data processing equipment, computers; computer software; fire-extinguishing Apparatus.), 36(Insurance; financial affairs; monetary affairs; real estate affairs.) and 42(Scientific and technological services and research and design relating thereto; industrial analysis and research services; design and development of computer hardware and software) (526): None (730): BUSHA DIGITAL LIMITED of P. O. Box 50779 - 00100, Nairobi, Kenya (740): None



(210): 130141 (220): 22/09/2023

(300): None (511): 7(Machine and machine Tools; Motors Engine) and 8(Hand Tools and Implements i.e hand operated.) (526): Registration of this mark shall give no right to the exclusive use of the words 'Africa', 'Equipment' and letters 'M', 'A', 'E' each separately and apart from the mark as a whole. MAE has no English translation and meaning. It is an abbreviation of MACE AFRICA EQUIPMENT. (730): TECHNICAL TRADING CORPORATION of P. O. Box 17582 - 00500, Nairobi, Kenya (740): None



(210): 130195 (220): 26/09/2023

(300): None (511): 5(pharmaceuticals and medical preparations; sanitary preparations for medical purposes; dietetic food and substances adapted for medical use, food for babies; dietary supplements for human beings and animals; plasters, materials for dressings; material for stopping teeth, dental wax; disinfectants.) (526): None (730): ABHIJEET HODA of P1305, I BLOCK MANTRI SYNERGY APARTMENTS 1/124 RAJIV GANDHI SALAI, PADUR, CHENNAI (TAMIL NADU), INDIA 603103 (740): Kabau & Associates Advocates of P. O. Box 101136 - 00101 Nairobi, Kenya

RACEDO

(210): 130204 **(220):** 26/09/2023
(300): None **(511):** 3(Bleaching preparations and other substances for laundry use; essential oils, cosmetics, hair lotions; dentifrices) **(526):** None **(730):** IMPACT CHEMICALS LTD of P. O. Box 3977 - 00200, Nairobi, Kenya **(740):** None

CLINOZYME

(210): 130236 **(220):** 28/09/2023
(300): None **(511):** 16(Letterheads, Stationery and printed matter) and 43(Services for providing food and drink) **(526):** ERegistration of this mark shall give no right to the exclusive use of the word 'RESTAURANT' and the letters "E", "Z" and "O" each separately and apart from the mark as a whole. **(730):** CARNAVAL KENYA LIMITED of P. O. Box 14934 - 00800, Nairobi, Kenya **(740):** None



(210): 130242 **(220):** 28/09/2023
(300): None **(511):** 3(Cosmetics) and 5(Pharmaceuticals) **(526):** Registration of this mark shall give no right to the exclusive use of letter 'O' each separately and apart from the mark as a whole. The word 'NGOWZI' is an invented word without English meaning **(730):** MERAKU HEALTHCARE LIMITED of P. O. Box 27030 - 00100, Nairobi, Kenya **(740):** None



(210): 130253 **(220):** 28/09/2023
(300): None **(511):** 38(Broadcasting) and 41(Training, Education) **(526):** Registration of this mark shall give no right to the exclusive use of the words 'AFRICA', 'CLIMATE', 'CONVERSATIONS' and the device of the 'Map of Africa' each separately and apart from the mark as a whole. **(730):** SOPHIA WAMBUI MBUGUA of P. O. Box 3020 - 00100, Nairobi, Kenya **(740):** None



(210): 130281 **(220):** 29/09/2023
(300): None **(511):** 41(Entertainment;Sporting and cultural activities) **(526):** None **(730):** GOLDEN HONEY BADGER TECHNOLOGY LIMITED of P. O. Box 30834 - 00100, Nairobi, Kenya **(740):** None



(210): 130282 **(220):** 29/09/2023
(300): None **(511):** 3(Cleaning, polishing, scouring and abrasive preparations.) and 5(Disinfectants; sanitizing preparations.) **(526):** None **(730):** ECOLAB USA INC. A Corporation, organised and existing under the laws of the State of Delaware of 1 Ecolab Place St. Paul Minnesota 55102, United States of America **(740):** Coulson Harney Advocates of P. O. Box 10643 - 00100, Nairobi, Kenya

ASEPTO

(210): 130307 **(220):** 04/10/2023
(300): None **(511):** 42(Scientific and technological services and research and design relating thereto; industrial analysis, industrial research and industrial design services; quality control and authentication services; design and development of computer hardware and software.) **(526):** Registration of this trademark shall give no right to the exclusive use of the words 'OLKARI', "ECO", "CLOUD", "DATA", "CENTRE" and "EARTH" each separately and apart from the mark as a whole. **(730):** OLKARIA ECOCLOUD DATA CENTER of P. O. Box 34711- 00100, Bishop Josiah Kibira, Harambee Avenue, Nairobi, Kenya **(740):** None



(210): 130335 **(220):** 05/10/2023
(300): None **(511):** 16(Printed paper materials, printing papers, graphic design services and branding services) **(526):** Registration of this mark shall give no right to the exclusive use of the words 'Design', 'Print' 'K', 'E' and 'Branding' each separately and apart from the mark as a whole. **(730):** PIXEL ADS COMPANY LIMITED of P. O. Box 09 Mpaka Road, Westlands, Kenya **(740):** None



(210): 130372 **(220):** 06/10/2023
(300): None **(511):** 9(An online based software platform designed for crowdfunding aiming to contribute towards real estate projects.), 35(A web-based marketing and advertising platform tailored for crowdfunding real estate projects.) and 36(A platform that offers financing and funding services for real estate projects.) **(526):** Registration of this trademark shall give no right to the exclusive use of the word "VALUE" and the letter "X" each separately and apart from the mark as a whole. **(730):** PRIVATE DEALS EXCHANGE LIMITED of P. O. Box 608 - 00623, Nairobi, Kenya **(740):** Gatama & Associates LLP of P. O. Box 608 - 00623, Nairobi, Kenya



(210): 130374 **(220):** 06/10/2023
(300): None **(511):** 19(Materials for building and construction) **(526):** Registration of this mark shall give no right to the exclusive use of the words 'Smart' and 'Ceiling' each separately and apart from the mark as a whole. **(730):** GEFEST INNOVATIONS GROUP LIMITED of P. O. Box 56036 - 00200, Nairobi, Kenya **(740):** None



(210): 130376 **(220):** 06/10/2023
(300): None **(511):** 9(Mobile telephones, smartphones, battery chargers, headphones, covers for smartphones, cases for smartphones, selfie sticks [hand-held monopods], thin client computers, protective films adapted for smartphones, power banks, protective films adapted for smartphones, ear pads for headphones, megaphones, microphones, electric batteries, telephone apparatus, telephone transmitters, magnetic disks, floppy disks, telephone wires, hands-free kits for telephones.) **(526):** None **(730):** VIFONE COMMUNICATION LIMITED of P. O. Box 7332 - 00100, Luthuli Building, Luthuli Avenue, Nairobi, Kenya **(740):** Fred Otswong'o & IP Associates (FOIPA) of P. O. Box 54708 - 00100, Nairobi, Kenya



210): 130377 **(220):** 06/10/2023
(300): None **(511):** 9(Mobile telephones, smartphones, battery chargers, headphones, covers for smartphones, cases for smartphones, selfie sticks [hand-held monopods], thin client computers, protective films adapted for smartphones, power banks, protective films adapted for smartphones, ear pads for headphones, megaphones, microphones, electric batteries, telephone apparatus, telephone transmitters, magnetic disks, floppy disks, telephone wires, hands-free kits for telephones.) **(526):** Registration of this mark shall give no right to the exclusive use of the words 'Safari' and 'Mobile' including the device each separately and apart from the mark as a whole. The translation into English of the Kiswahili word 'Safari' is 'An overland journey to observe wild animals' **(730):** VIFONE COMMUNICATION LIMITED of P.O. Box 7332 - 00100, Luthuli Building, Luthuli Avenue, Nairobi, Kenya **(740):** Fred Otswong'o & IP Associates (FOIPA) of P.O. Box 54708 - 00100, Nairobi, Kenya



(210): 130378 **(220):** 06/10/2023
(300): None **(511):** 9(Mobile telephones, smartphones, battery chargers, headphones, covers for smartphones, cases for smartphones, selfie sticks [hand-held monopods], thin client computers, protective films adapted for smartphones, power banks, protective films adapted for smartphones, ear pads for headphones, megaphones, microphones, electric batteries, telephone apparatus, telephone transmitters, magnetic disks, floppy disks, telephone wires, hands-free kits for telephones.) **(526):** The word 'Hamily' has no meaning in English. It is derived from the Hamily Families of 1840 **(730):** VIFONE COMMUNICATION LIMITED of P.O. Box 7332 - 00100, Luthuli



Building, Luthuli Avenue, Nairobi, Kenya (740): Fred Otswong'o & IP Associates (FOIPA) of P.O. Box 54708 - 00100, Nairobi, Kenya

(210): 130383 (220): 06/10/2023

(300): None (511): 3(Soaps; Perfumery, Essential Oils; Massage Oil; Non-medicated cosmetics) and 10(Massage apparatus; Sexual activity apparatus, Devices and articles) (526): None (730): SIX NINE VIBRATIONS KENYA LIMITED A company registered under the laws of Kenya of P. O. Box 22266 - 00100, Nairobi, Kenya (740): None



(210): 130386 (220): 09/10/2023

(300): None (511): 5(Sanitary pads, wipes) (526): Registration of this trademark shall give no right to the exclusive use of the word "HUMID FREE" and device of a "Droplet" each separately and apart from the mark as a whole. (730): BEKYNs EA LTD of P. O. Box 103920 - 00100, Nairobi, Kenya (740): None



(210): 130387 (220): 09/10/2023

(300): None (511): 19(Materials for building and construction) (526): Registration of this mark shall give no right to the exclusive use of the letters 'M', 'R' and the word 'Ceiling' each separately and apart from the mark as a whole. (730): GEFEST INNOVATIONS GROUP LIMITED of P. O. Box 56036 - 00200, Nairobi, Kenya (740): None



(210): 130390 (220): 09/10/2023

(300): 97/885,502 12/04/2023 US (511): 9(Downloadable computer programs and downloadable computer software for using and customizing foundation models; Downloadable computer programs and downloadable computer software for using and customizing foundation models, namely, large artificial intelligence models trained on a large quantity of data; downloadable computer programs and downloadable computer software for building, managing, updating, developing, training, evaluating, and monitoring generative artificial intelligence applications powered by machine learning, deep learning, and artificial intelligence; downloadable computer software for simulation environments for building, managing, updating, developing, training, evaluating, and monitoring machine learning and artificial intelligence agents, algorithms or programs; downloadable computer programs and downloadable computer software using machine learning and artificial intelligence to process, understand, analyze, and generate text, images, speech, sound, and video; downloadable computer programs and downloadable computer software using machine learning and artificial intelligence for sharing datasets for the purpose of predictive analytics, building language models, natural language processing (NLP) tasks, and generative AI-powered user experiences; downloadable computer programs and downloadable computer software for developing, running and analyzing algorithms that are able to learn to analyze, classify, and take actions in response to exposure to data using machine learning and artificial intelligence; downloadable computer programs and downloadable computer software for developing and implementing artificial neural networks; downloadable computer programs and downloadable computer software to manage and analyze large volumes of content using machine learning, deep learning, and artificial intelligence;

AMAZON TITAN

downloadable computer programs and downloadable computer software for generating text, images, speech, sound, and video in response to natural language text commands and prompts using machine learning, deep learning, and artificial intelligence; downloadable computer programs and downloadable computer software for research in the field of foundation models and large language models in the fields of machine learning, deep learning, and artificial intelligence; downloadable computer programs and downloadable computer software for creating and generating software code using machine learning, deep learning, and artificial intelligence.) and 42(Software as a service (SaaS) services, cloud computing services, and nondownloadable software for using and customizing foundation models; Software as a service (SaaS) services, cloud computing services, and non-downloadable software for using and customizing foundational models, namely, large artificial intelligence models trained on a large quantity of data; software as a service (SaaS) services, cloud computing services, and non-downloadable software for building, managing, updating, developing, training, evaluating, and monitoring generative user experiences powered by machine learning, deep learning, and artificial intelligence; software as a service (SaaS) services, cloud computing services, and non-downloadable software for building, managing, updating, developing, training, evaluating, and monitoring machine learning and artificial intelligence agents, algorithms or programs; application service provider featuring application programming interface (API) software for using and customizing foundation models; software as a service (SaaS) services, cloud computing services, and non-downloadable software using machine learning and artificial intelligence to process, understand, analyze, and generate text, images, speech, sound, and video; software as a service (SaaS) services, cloud computing services, and non-downloadable software using machine learning and artificial intelligence for sharing datasets for the purpose of predictive analytics, building language models, natural language processing (NLP) tasks, and generative AI-powered user experiences; software as a service (SaaS) services, cloud computing services, and non-downloadable software for developing, running and analyzing algorithms that are able to learn to analyze, classify, and take actions in response to exposure to data using machine learning and artificial intelligence; software as a service (SaaS) services, cloud computing services, and non-downloadable software for developing and implementing artificial neural networks; software as a service (SaaS) services, cloud computing services, and non-downloadable software to manage and analyze large volumes of content using machine learning, deep learning, and artificial intelligence; software as a service (SaaS) services, cloud computing services, and non-downloadable software for generating text, images, speech, sound, and video in response to natural language text service (SaaS) services, cloud computing services, and non-downloadable software for research in the field of foundation models and large language models in the fields of machine learning, deep learning, and artificial intelligence; software as a service (SaaS) services, cloud computing services, and non-downloadable software for creating and generating software code using machine learning, deep learning, and artificial intelligence.) **(526)**: None **(730)**: AMAZON TECHNOLOGIES, INC. of 410 Terry Avenue North, Seattle, Washington 98109, United States of America **(740)**: MUTHONI ADVOCATE of P.O. Box 28397 - 00200, Nairobi, Kenya

(210): 130391 (220): 09/10/2023

(300): 97/885,501 of 12/04/2023 in US (511): 9(Downloadable computer programs and downloadable computer software for using and customizing foundation models; Downloadable computer programs and downloadable computer software for using and customizing foundation models, namely, large artificial intelligence models trained on a large quantity of data; downloadable computer programs and downloadable computer software for building, managing, updating, developing, training, evaluating, and monitoring generative artificial intelligence applications powered by machine learning, deep learning, and artificial intelligence; downloadable computer software for simulation environments for building, managing, updating, developing, training, evaluating, and monitoring machine learning and artificial intelligence agents, algorithms or programs; downloadable computer programs and downloadable computer software using machine learning and artificial intelligence to process, understand, analyze, and generate text, images, speech, sound, and video; downloadable computer programs and downloadable computer software using machine learning and artificial intelligence for sharing datasets for the purpose of predictive analytics, building language models, natural language processing (NLP) tasks, and generative AI-powered user experiences; downloadable computer programs and downloadable computer software for developing, running and analyzing algorithms that are able to learn to analyze, classify, and take actions in response to exposure to data using machine learning and artificial intelligence; downloadable computer programs and downloadable computer software for developing and implementing artificial neural networks; downloadable computer programs and downloadable computer software to manage and analyze large volumes of content using machine learning, deep learning, and artificial intelligence; downloadable computer programs and downloadable computer software for generating text, images, speech, sound, and video in response to natural language text commands and prompts using machine learning, deep learning, and artificial intelligence; downloadable computer programs and downloadable computer software for research in the field of foundation models and large language models in the fields of machine learning, deep learning, and artificial intelligence; downloadable computer programs and downloadable computer software for creating and generating software code using machine learning, deep learning, and artificial intelligence.) and 42(Software as a service (SaaS) services, cloud computing services, and nondownloadable software for using and customizing foundation models; Software as a service (SaaS) services, cloud computing services, and non-downloadable software for using and customizing foundational models, namely, large artificial intelligence models trained on a large quantity of data; software as a service (SaaS) services, cloud computing services, and non-downloadable software for building, managing, updating, developing, training, evaluating, and monitoring generative user experiences powered by machine learning, deep learning, and artificial intelligence; software as a service (SaaS) services, cloud computing services, and non-downloadable software for building, managing, updating, developing, training, evaluating, and monitoring machine learning and artificial intelligence agents, algorithms or programs; application service provider featuring application programming interface (API) software for using and customizing foundation models; software as a service (SaaS) services, cloud

AMAZON BEDROCK

computing services, and non-downloadable software using machine learning and artificial intelligence to process, understand, analyze, and generate text, images, speech, sound, and video; software as a service (SaaS) services, cloud computing services, and non-downloadable software using machine learning and artificial intelligence for sharing datasets for the purpose of predictive analytics, building language models, natural language processing (NLP) tasks, and generative AI-powered user experiences; software as a service (SaaS) services, cloud computing services, and non-downloadable software for developing, running and analyzing algorithms that are able to learn to analyze, classify, and take actions in response to exposure to data using machine learning and artificial intelligence; software as a service (SaaS) services, cloud computing services, and non-downloadable software for developing and implementing artificial neural networks; software as a service (SaaS) services, cloud computing services, and non-downloadable software to manage and analyze large volumes of content using machine learning, deep learning, and artificial intelligence; software as a service (SaaS) services, cloud computing services, and non-downloadable software for generating text, images, speech, sound, and video in response to natural language text service (SaaS) services, cloud computing services, and non-downloadable software for research in the field of foundation models and large language models in the fields of machine learning, deep learning, and artificial intelligence; software as a service (SaaS) services, cloud computing services, and non-downloadable software for creating and generating software code using machine learning, deep learning, and artificial intelligence.) **(526):** None **(730):** Amazon Technologies, Inc. Corporation Nevada, United States of 410 Terry Avenue North, Seattle, Washington 98109, United States of America **(740):** MUTHONI ADVOCATES of P.O.Box 28397-00200, Nairobi, Kenya

(210): 130399 **(220):** 09/10/2023

(300): None **(511):** 42(Scientific research services) **(526):** Registration of this mark shall give no right to the exclusive use of the words 'Digital', 'Object', 'Container', 'Identifier', the letters 'D', 'C', 'O' and the device of 'Globe' per se each separately and apart from the mark as a whole. **(730):** HELIX ANALYTICS AFRICA LIMITED of P. O. Box 21553 - 00100, Nairobi, Kenya **(740):** None



(210): 130400 **(220):** 09/10/2023

(300): None **(511):** 42(Scientific Research Services) **(526):** Registration of this mark shall give no right to the exclusive use of the words 'AFRICA', 'ALLIANCE', the letters 'P' and the device of 'Map of Africa' each separately and apart from the mark as a whole. **(730):** HELIX ANALYTICS AFRICA LIMITED of P. O. Box 21553 - 00100, Nairobi, Kenya **(740):** None



(210): 130401 **(220):** 09/10/2023

(300): None **(511):** 5(Preparations for destroying vermin, herbicides and fungicides) **(526):** None **(730):** SINERIA KENYA LIMITED of P. O. Box 79777 - 00200, Nairobi, Kenya **(740):** None

FLORANGE

(210): 130403 **(220):** 09/10/2023

(300): None **(511):** 30(Flour and preparations made from cereals, bread, pastry and confectionery) **(526):** The Translation into English of the Kiswahili word 'Risala' is 'Message' **(730):** VANTAGE MILLERS LIMITED of P. O. Box 71970 - 00610, Nairobi, Kenya **(740):** None



(210): 130407 **(220):** 11/10/2023
(300): None **(511):** 36(Insurance; Financial affairs; Monetary affairs; Real estate) and 39(Transport; Packaging and Storage of goods; Travel arrangement) **(526):** Registration of this mark shall give no right to the exclusive use of the word 'CABS' each separately and apart from the mark as a whole. 'YEGO' is a name of a "well known Kenyan sportsman". **(730):** YEGO MOBILITY LIMITED of P. O. Box 170 - 00621, NAIROBI, Kenya **(740):** Ndirangu & Waithira Advocates LLP of P. O. Box 21053 - 00100, Nairobi, Kenya



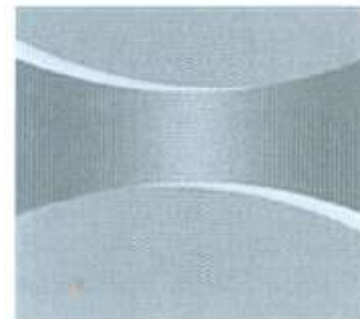
(210): 130409 **(220):** 11/10/2023
(300): None **(511):** 36(Insurance; Financial affairs; Monetary affairs; Real estate) and 39(Transport; Packaging and Storage of goods; Travel arrangement) **(526):** 'YEGO' is a name of a "well known Kenyan sportsman". **(730):** YEGO MOBILITY LIMITED of P. O. Box 170 - 00621, Nairobi, Kenya **(740):** Ndirangu & Waithira Advocates LLP of P. O. Box 21053 - 00100, Nairobi, Kenya



(210): 130410 **(220):** 11/10/2023
(300): None **(511):** 5(Feminine hygiene and menstruation products, namely pantyliners, sanitary napkins and tampons, sanitary briefs, pants for feminine hygiene; incontinence diapers and napkins, incontinence liners, and incontinence pants.) **(526):** None **(730):** THE PROCTER & GAMBLE COMPANY of One Procter & Gamble Plaza Cincinnati, Ohio 45202, United States of America **(740):** Kaplan & Stratton Advocates of P. O. Box 40111 - 00100, Nairobi, Kenya



(210): 130411 **(220):** 11/10/2023
(300): None **(511):** 5(Feminine hygiene and menstruation products, namely pantyliners, sanitary napkins and tampons, sanitary briefs, pants for feminine hygiene; incontinence diapers and napkins, incontinence liners, and incontinence pants.) **(526):** None **(730):** THE PROCTER & GAMBLE COMPANY a corporation of Ohio of One Procter & Gamble Plaza, Cincinnati, Ohio 45202, United States of America **(740):** Kaplan & Stratton Advocates of P. O. Box 40111 - 00100, Nairobi, Kenya



(210): 130412 **(220):** 11/10/2023
(300): None **(511):** 5(Feminine hygiene and menstruation products, namely pantyliners, sanitary napkins and tampons, sanitary briefs, pants for feminine hygiene; incontinence diapers and napkins, incontinence liners, and incontinence pants.) **(526):** None **(730):** THE PROCTER & GAMBLE COMPANY, a corporation of Ohio of One Procter & Gamble Plaza, Cincinnati, Ohio 45202, United States of America **(740):** Kaplan & Stratton Advocates of P. O. Box 40111 - 00100, Nairobi, Kenya



(210): 130444 **(220):** 12/10/2023
(300): None **(511):** 33(Wines, Spirits & Liqueur) **(526):** Registration of this mark shall give no right to the exclusive use of the word 'HILLS' separately and apart from the mark as a whole. **(730):** MS.ANITHA BALARAMAN of P. O. Box 589 - 00606, Nairobi, Kenya **(740):** None



(210): 130453 **(220):** 01/09/2023
(300): UK00003952189 of 01/09/2023 in GB **(511):** 3(Non-medicated toilet preparations; toiletries; skin care preparations; skin moisturizers; skin toners; body and beauty care preparations; powders, cleansers, creams and lotions, all for the face, hands and body; exfoliating scrubs for cosmetic purposes; cosmetic suntan preparations; sunscreen oils and lotions; soaps; shower and bath preparations; bath gel, bath oils, bath salts, bath beads, and effervescent bath preparations; beauty masks; talcum powder; nail polish; nail polish remover;



false nails; adhesives for cosmetic purposes; cosmetics; eye cream; eye gels; eye lotions; eye make-up remover; eye shadow; eye liner; eyebrow cosmetics; mascara; lipstick; lip liner; lip-gloss; lip balm; make-up foundation; facial concealer; blusher; tissues impregnated with cosmetic lotions; powdered cosmetic tissues; cotton sticks for cosmetic purposes; cotton wool for cosmetic purposes; pumice stone; preparations for cleaning, moisturising, colouring and styling the hair; shampoos, conditioners, finishing spray, and gels, all for the hair; preparations for cleaning the teeth; shaving and aftershave preparations; perfumes; fragrances; toilet waters; cologne; room fragrances; incense sticks; deodorants for human beings; anti-perspirants for personal use (toiletries); essential oils (cosmetic); oils for perfumes and scents; potpourri; cosmetic and fragrance kits.) (526): None (730): AVON PRODUCTS, INC. a New York Corporation of 1 Avon Place, Suffern, New York 10901, United States of America (740): Coulson Harney Advocates of P. O. Box 10643 - 00100, Nairobi, Kenya

(210): 130455 (220): 13/10/2023

(300): None (511): 10(Diagnostic apparatus for medical purposes; medical apparatus and instruments; tomographs for medical purposes; apparatus and installations for the production of X-rays, for medical purposes; radiological apparatus for medical purposes; lasers for medical purposes; magnetic resonance imaging [MRI] apparatus for medical purposes; ultrasound apparatus for medical purposes; apparatus and instruments for radioisotope therapy; syringes for medical purposes; medical apparatus and instruments for monitoring vital signs.) (526): The word 'Anke' is an invented word with no meaning in any Language. (730): SHENZHEN ANKE HIGH-TECH CO., LTD of Block B, LingyYa Industrial Zone, Tangtou No.1 Road, Shiyao, Bao'an, Shenzhen, 518108, P.R, China (740): Ndikimi & Company Advocates of P. O. Box 29037 - 00625, Nairobi, Kenya



(210): 130458 (220): 13/10/2023

(300): None (511): 5(Pharmaceuticals) (526): None (730): GALAXY PHARMACEUTICAL LIMITED of P.O. Box 39107 - 00623, Nairobi, Kenya (740): None

BETNOGLAX

(210): 130459 (220): 13/10/2023

(300): None (511): 5(Pharmaceuticals) (526): None (730): GALAXY PHARMACEUTICAL LIMITED of P. O. Box 39107 - 00623, Nairobi, Kenya (740): None

HYDROGLAX

(210): 130463 (220): 13/10/2023

(300): None (511): 31(Agricultural horticultural and forestry products and grains not included in other classes live animals, fresh fruits and vegetables, seeds, natural plants and flowers foodstuffs for animals malt) (526): None (730): LATIA AGRIBUSINESS SOLUTIONS LIMITED of P. O. Box 211 - 01100, Kajiado, Kenya (740): None

LATIA BASKET

(210): 130464 (220): 13/10/2023

(300): None (511): 31(Agricultural horticultural and forestry products and grains not included in other classes live animals, fresh fruits and vegetables, seeds, natural plants and flowers foodstuffs for animals malt) (526): Registration of this mark shall give no right to the exclusive use of the word 'Eco' separately and apart from the mark as a whole. (730): LATIA AGRIBUSINESS SOLUTIONS LIMITED of P. O. Box 211 - 01100, Kajiado, Kenya (740): None

ECO-LATIA

(210): 130465 **(220):** 13/10/2023
(300): None **(511):** 31(Agricultural horticultural and forestry products and grains not included in other classes live animals, fresh fruits and vegetables, seeds, natural plants and flowers foodstuffs for animals malt) **(526):** None **(730):** LATIA AGRIBUSINESS SOLUTIONS LIMITED of P. O. Box 211 - 01100, Kajiado, Kenya **(740):** None

LATIA FARMILY

(210): 130485 **(220):** 13/10/2023
(300): None **(511):** 18(Umbrellas), 23(Yarns and threads for textile use), 24(Textiles), 25(Footwear) and 26(Lace and embroidery, ribbons and braids; buttons, hooks and eyes, pins and needles; artificial flowers) **(526):** Registration of this mark shall give no right to the exclusive use of the letters 'N', 'C' and 'L' each separately and apart from the mark as a whole. **(730):** NEWLAND COMPANY LIMITED of P. O. Box 18923 - 00500, Nairobi, Kenya **(740):** None



(210): 130512 **(220):** 17/10/2023
(300): None **(511):** 32(Drinking water) **(526):** Registration of this mark shall give no right to the exclusive use of the words 'Springs', 'Gean' and device of 'Water drop' each separately and apart from the mark as a whole. **(730):** GEOJOY INVESTMENTS LTD of P. O. Box 6501 - 00100, Nairobi, Kenya **(740):** None

GEAN SPRINGS

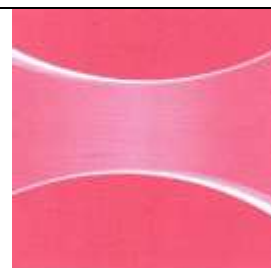
(210): 130513 **(220):** 17/10/2023
(300): None **(511):** 3(Bleaching preparations and other substances for laundry use, cleaning, polishing, scouring and abrasive preparations, soaps, perfumery, essential oils, cosmetics, hair lotions and dentifrices, Cosmetics, toiletries, perfumes, body and hair care preparation.) **(526):** Registration of this mark shall give no right to the exclusive use of the letter 'O' and the word 'Beauty' each separately and apart from the mark as a whole. **(730):** SHAMEER AMIN SADRUDIN WALJI of P. O. Box 67355 - 00200, Nairobi, Kenya **(740):** None



(210): 130514 **(220):** 17/10/2023
(300): None **(511):** 5(Feminine hygiene and menstruation products, namely pantyliners, sanitary napkins and tampons, sanitary briefs, pants for feminine hygiene; incontinence diapers and napkins, incontinence liners, and incontinence pants.) **(526):** None **(730):** THE PROCTER & GAMBLE COMPANY of One Procter & Gamble Plaza, Cincinnati, Ohio 45202, United States of America **(740):** Kaplan & Stratton Advocates of P. O. Box 40111 - 00100, Nairobi, Kenya



(210): 130515 **(220):** 17/10/2023
(300): None **(511):** 5(Feminine hygiene and menstruation products, namely pantyliners, sanitary napkins and tampons, sanitary briefs, pants for feminine hygiene; incontinence diapers and napkins, incontinence liners, and incontinence pants.) **(526):** None **(730):** THE PROCTER & GAMBLE COMPANY of One Procter & Gamble Plaza, Cincinnati, Ohio 45202, United States of America **(740):** Kaplan & Stratton Advocates of P. O. Box 40111 - 00100, Nairobi, Kenya



(210): 130516 **(220):** 17/10/2023
(300): None **(511):** 43(Services for providing food and drink; temporary accommodation.) **(526):** Registration of this mark shall give no right to the exclusive use of the words 'Luxury', 'Boutique', 'Hotel' and 'Villas' each separately and apart from the mark as a whole. **(730):** ALANKOI SEAS LIMITED of P. O. Box 5468 - 80401, Dianai Beach, Mombasa, Kenya **(740):** Kimani & Muriithi Associates of P. O. Box 62225 - 00200, Nairobi, Kenya



(210): 130517 **(220):** 17/10/2023
(300): None **(511):** 43(Services for providing food and drink; temporary accommodation.) **(526):** Registration of this mark shall give no right to the exclusive use of the word 'Residence' separately and apart from the mark as a whole. **(730):** ALANKOI SEAS LIMITED of P. O. Box 5468 - 80401, Diani Beach, Mombasa, Kenya **(740):** Kimani & Muriithi Associates of P. O. Box 62225 - 00200, Nairobi, Kenya



(210): 130568 **(220):** 19/10/2023
(300): None **(511):** 36(Financial management and consultancy) **(526):** None **(730):** OPEN HORIZONS CO. LTD of P. O. Box 21945 - 00100, Nairobi, Kenya **(740):** None



(210): 130575 **(220):** 19/10/2023
(300): None **(511):** 30(Flour) **(526):** Registration of this mark shall give no right to the exclusive use of the devices of the 'Chef', 'Maize Meal' and 'Maize Cobs' each separately and apart from the mark as a whole. The English translation of the Kiswahili words 'Pika Ushibe' is 'Cook and get filled'. **(730):** ONE MILLERS LIMITED of P. O. Box 77339 - 00611, Nairobi, Kenya **(740):** None



(210): (220): 23/10/2023
(300): None **(511):** 32(Beers; non-alcoholic beverages; mineral and aerated waters; fruit beverages and fruit juices; syrups and other preparations for making non-alcoholic beverages.) **(526):** Registration of this mark shall give no right to the exclusive use of the word 'Drink' and the device of the 'Drop' each separately and apart from the mark as a whole. **(730):** GLOB ADVENTURES LIMITED of P. O. Box 90131 - 401, Tala, Kenya **(740):** None



(210): 130602 **(220):** 23/10/2023
(300): None **(511):** 9(Apparatus and instruments for conducting, switching, transforming, accumulating, regulating or controlling electricity; apparatus for recording, transmission or reproduction of sound or images; magnetic data carriers, recording discs, Solar batteries, solar panels.) **(526):** None **(730):** MARSTEK SOLAR SYSTEM SOLUTIONS KENYA LTD of P. O. Box 37379 -00100, Nairobi, Kenya **(740):** None



(210): 130606 **(220):** 24/10/2023
(300): None **(511):** 32(Purified Drinking Water) **(526):** Registration of this mark shall give no right to the exclusive use of the words 'Crystal', 'Purified', 'Drinking', and 'Water' each separately and apart from the mark as a whole. **(730):** DAYDAN INVESTMENTS of P. O. Box 34177-00800, Westlands, Nairobi, Kenya **(740):** None



(210): 130619 **(220):** 24/10/2023
(300): None **(511):** 5(pharmaceuticals and medical preparations; sanitary preparations for medical purposes; dietetic food and substances adapted for medical use, food for babies; dietary supplements for human beings and animals; plasters, materials for dressings; material for stopping teeth, dental wax; disinfectants.) **(526):** None **(730):** ABHIJEET HODA of P1305, I BLOCK MANTRI SYNERGY APARTMENTS 1/124 RAJIV GANDHI SALAI, PADUR, CHENNAI (TAMIL NADU), INDIA 603103 **(740):** Kabau & Associates Advocates of P. O. Box 101136 - 00101 Nairobi, Kenya



(210): 130620 (220): 24/10/2023
 (300): None (511): 41(Education; providing of training; entertainment; sporting and cultural activities.) (526): None (730): STARHUB AFRICA LIMITED of PLOT 851, BLOCK 213 BUKOTO, KAMPALA, P. O. Box 109824 KAMPALA GPO, Uganda (740): Kioi & Co. Advocates of P. O. Box 38178 - 00100, Nairobi, Kenya



(210): 130630 (220): 24/10/2023
 (300): None (511): 6(Common metals and their alloys, ores; metal materials for building and construction; transportable buildings of metal; non-electric cables and wires of common metal; small items of metal hardware; metal containers for storage or transport; safes.), 9(Scientific, research, navigation, surveying, photographic, cinematographic, audiovisual, optical, weighing, measuring, signaling, detecting, testing, inspecting, life-saving and teaching apparatus and instruments) and 11(Apparatus and installations for lighting, heating, cooling, steam generating, cooking, drying, ventilation, water supply and sanitary uses.) (526): None (730): RANGE DESIGNS LIMITED of P. O. Box 57602 - 00200, Nairobi, Kenya (740): None

Macdee

(210): 130634 (220): 25/10/2023
 (300): None (511): 5(Pharmaceuticals) (526): None (730): PHILMED LIMITED of P.O. Box 36728 - 00200, Nairobi, Kenya (740): None

PHILCORT

(210): 130635 (220): 25/10/2023
 (300): None (511): 5(Pharmaceuticals) (526): None (730): PHILMED LIMITED of P. O. Box 36728 - 00200, Nairobi, Kenya (740): None

CYPROFIL

(210): 130659 (220): 25/10/2023
 (300): None (511): 5(pharmaceutical and veterinary preparations; sanitary preparations for medical purposes; dietic food and substances adapted for medical or veterinary use, food for babies; dietary supplements for humans and animals; plasters, materials for dressing; materials for stopping teeth, dental wax; disinfectants; sanitizers; preparations for destroying vermin, fungicides, herbicides.) (526): None (730): TRANSCARE LIFE LIMITED of P. O. Box 34776 - 00200, Kenya (740): None

METROTRIX

(210): 130661 (220): 25/10/2023
 (300): None (511): 5(pharmaceutical and veterinary preparations; sanitary preparations for medical purposes; dietic food and substances adapted for medical or veterinary use, food for babies; dietary supplements for humans and animals; plasters, materials for dressing; materials for stopping teeth, dental wax; disinfectants; sanitizers; preparations for destroying vermin, fungicides, herbicides.) (526): None (730): TRANSCARE LIFE LIMITED of P. O. Box 34776 - 00200, Kenya (740): None

TRIZOGLY

(210): 130662 (220): 25/10/2023
 (300): None (511): 5(pharmaceutical and veterinary preparations; sanitary preparations for medical purposes; dietic food and substances adapted for medical or veterinary use, food for babies; dietary supplements for humans and animals; plasters, materials for dressing; materials for stopping teeth, dental wax; disinfectants; sanitizers; preparations for destroying vermin, fungicides, herbicides.) (526): None (730): TRANSCARE LIFE LIMITED of P. O. Box 34776 - 00200, Kenya (740): None

TRANSCORT

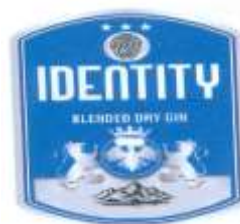
(210): 130663 (220): 25/10/2023

(300): None (511): 5(pharmaceutical and veterinary preparations; sanitary preparations for medical purposes; dietic food and substances adapted for medical or veterinary use, food for babies; dietary supplements for humans and animals; plasters, materials for dressing; materials for stopping teeth, dental wax; disinfectants; sanitizers; preparations for destroying vermin, fungicides, herbicides.) (526): None (730): TRANSCARE LIFE LIMITED of P. O. Box 34776 - 00200, Kenya (740): None

ENTAFLAG

(210): 130668 (220): 26/10/2023

(300): None (511): 33(Gin) (526): Registration of this mark shall give no right to the exclusive use of the words 'BLENDED', 'DRY' and 'GIN' each separately and apart from the mark as a whole. (730): TWO COUSINS DISTILLERS LIMITED of P. O. Box 2273 - 01000, THIKA, Kenya (740): None



(210): 130673 (220): 26/10/2023

(300): None (511): 9(Apparatus for controlling and monitoring aircraft), 37(Repair and maintenance services on aircraft) and 39(Packaging and storage of goods and rental of aircrafts for pilot services and transport of goods by air) (526): None (730): BLUEBIRD AVIATION LIMITED of P. O. Box 52382 - 00200, Nairobi, Kenya (740): None



(210): 130685 (220): 27/10/2023

(300): None (511): 9(Downloadable mobile apps), 41(Education, training, capacity building, daycare services) and 42(Scientific and technological services and research and design relating thereto) (526): Registration of this mark shall give no right to the exclusive use of the words 'TINY', 'TOTOS' and the device of a 'HUMAN FIGURE' each separately and apart from the mark as a whole. (730): TINY TOTOS KENYA LIMITED of P. O. Box 14473 - 00800, Springette Office Park, Block H1, Westlands, Nairobi, Kenya (740): G.N Kihungi & Company Advocates of P. O. Box 2028 - 00100, Nairobi, Kenya



(210): 130689 (220): 27/10/2023

(300): None (511): 6(Corrugated Sheets) (526): Registration of this mark shall give no right to the exclusive use of the letters 'S', 'M', 'L', the words 'SUNTUFF', 'CORRUGATED' and 'SHEETS' each separately and apart from the mark as a whole. (730): SUPER MANUFACTURERS LTD of P. O. Box 10600 - 00400, Nairobi, Kenya (740): None



(210): 130690 (220): 27/10/2023

(300): None (511): 6(Common metals and their alloys, metal materials for building and construction, colored steel tile, steel coils, transportable buildings of metal; non-electric cables and wires.), 9(Photovoltaic cells, solar cells, Photovoltaic panels, solar modules.) and 12(Vehicles and apparatus for the transport of people or goods by land, automobile, two wheeled motorcycle, three wheeled motorcycle, electric car.) (526): Registration of this mark shall give no right to the exclusive use of the device of a 'Lion' separately and apart from the mark as a whole. (730): KINGLION KENYA INVESTMENT LIMITED of P. O. Box 51999 - 00100, Nairobi, Kenya (740): None



(210): 130691 (220): 27/10/2023

(300): None (511): 7(Machines, machine tools, power-operated tools; motors and engines, except for land vehicles; machine coupling and transmission components, except for land vehicles; agricultural implements, other than hand-operated hand tools; incubators for eggs; automatic vending machines.), 8(Hand tools and implements, hand-operated; cutlery; side arms, except firearms; razors.) and 12(Vehicles; apparatus for locomotion by land, air or water.) (526): Registration of this mark shall give no right to the exclusive use of the letter 'H' each separately and apart from the mark as a whole. (730): HUSKY AFRICA LIMITED of Royal Road 1st Floor, Building B, Nautica Commercial Centre, Black River, Mauritius (740): Sonal Raval Advocate of P .O. Box 10652 - 00400, Nairobi, Kenya



(210): 130692 (220): 27/10/2023

(300): None (511): 7(Machines, machine tools, power-operated tools; motors and engines, except for land vehicles; machine coupling and transmission components, except for land vehicles; agricultural implements, other than hand-operated hand tools; incubators for eggs; automatic vending machines.), 8(Hand tools and implements, hand-operated; cutlery; side arms, except firearms; razors.) and 12(Vehicles; apparatus for locomotion by land, air or water.) (526): Registration of this mark shall give no right to the exclusive use of the letter 'H' separately and apart from the mark as a whole. (730): HUSKY AFRICA LIMITED of Royal Road 1st Floor, Building B, Nautica Commercial Centre, Black River, Mauritius (740): Sonal Raval Advocate of P .O. Box 10652 - 00400, Nairobi



(210): 130699 (220): 27/10/2023

(300): None (511): 11(gas cooker, electrical cooker(hot plate) an electrical kettle, air fryer, refrigerator, water dispenser.), and 21(household and kitchen items of plastic, plastic brush) (526): Registration of this mark shall give no right to the exclusive use of the words 'APPLIANCES', 'HOME' and 'SAFETY' each separately and apart from the mark as a whole. (730): SUNTONE TECHNOLOGY LIMITED of P. O. BOX 61759 - 00100, Nairobi, Kenya (740): None



(210): 130718 (220): 30/10/2023

(300): None (511): 30(Maize Flour) (526): 'SALA' is a name of a person (730): SALA FLOUR MILLERS LIMITED of P. O. Box 1299 - 00100, Nairobi, Kenya (740): None

SALA

(210): 130724 (220): 31/10/2023

(300): None (511): 25(Clothing and Footwear) (526): Registration of this mark shall give no right to the exclusive use of the letter 'B' and the devices of a "NEEDLE" and "THREAD" each separately and apart from the mark as a whole. (730): BAGUTTA PIONEERS INTERNATIONAL LTD of P. O. Box 25133 - 00604, Nairobi, Kenya (740): None



(210): 130727 (220): 31/10/2023

(300): None (511): 9(Solar panel, solar batteries, solar inverters [electricity].) (526): None (730): PANG BO of P. O. Box 10397 - 00100, George Padmore Ridge, Ground Floor, George Padmore Road, Kilimani, Nairobi, Kenya (740): None

SOLARTHON

(210): 130728 (220): 31/10/2023

(300): None (511): 9(Solar panel, solar batteries, solar inverters [electricity].) (526): None (730): PANG BO of P. O. Box 10397 - 00200, George Padmore Ridge, Ground Floor, George Padmore Road, Kilimani, Nairobi, Kenya (740): None

RANKTOP

(210): 130729 **(220):** 31/10/2023**PETREPOWER**

(300): None **(511):** 4(Industrial oils and greases, wax; lubricants; dust absorbing, wetting and binding compositions; fuels and illuminants; candles and wicks for lighting; gas; electrical energy; renewable energy.), 9(Scientific, research, navigation, surveying, photographic, cinematographic, audiovisual, optical, weighing, measuring, signalling, detecting, testing, inspecting, life-saving and teaching apparatus and instruments; apparatus and instruments for conducting, switching, transforming, accumulating, regulating or controlling the supply and distribution or use of energy and electricity; apparatus and instruments for recording, transmitting, reproducing or processing sound, images or data; recorded and downloadable media, computer software, blank digital or analogue recording and storage media; mechanisms for coin-operated apparatus; cash registers, calculating devices; computers and computer peripheral devices; diving suits, divers' masks, ear plugs for divers, nose clips for divers and swimmers, gloves for divers, breathing apparatus for underwater swimming; fire-extinguishing apparatus.), 35(Advertising; business anagement, organisation and administration; office functions; electricity and energy provider services; electricity and energy management services; collection, preparation, composition, storage, processing, acquisition and provision of information and data in relation to the foregoing services.), 37(Construction services; installation and repair services including in relation to electricity, energy and renewable energy; mining extraction, oil and gas drilling; collection, preparation, composition, storage, processing, acquisition and provision of information and data in relation to the foregoing services.), 39(Transport; packaging and storage of goods; travel arrangement; distribution of energy and electricity. collection, preparation, composition, storage, processing, acquisition and provision of information and data in relation to the foregoing services.), 40(Treatment of materials; recycling of waste and trash; air purification and treatment of water; printing services; food and drink preservation; generation of energy and electricity, collection, preparation, composition, storage, processing, acquisition and provision of information and data in relation to the foregoing services.) and 42(Scientific and technological services and research and design relating thereto; industrial analysis, industrial research and industrial design services; quality control and authentication services; consultancy in the field of energy including in relation to energy saving; design and development of computer hardware and software; collection, preparation, composition, storage, processing, acquisition and provision of information and data in relation to the foregoing services.) **(526):** None **(730):** PETREDEC HOLDINGS PTE. LTD of 1 Wallich Street, #32-01 Guoco Tower, Singapore 078881, Singapore **(740):** KAPLAN & STRATTON ADVOCATES of P. O. BOX 40111 - 00100, NAIROBI

(210): 130745 **(220):** 01/11/2023

(300): None **(511):** 6(Common metals and their alloys; metal building materials; transportable buildings of metal; materials of metal for railway tracks; non-electric cables and wires of common metal; ironmongery, small items of metal hardware; pipes and tubes of metal; safes; goods of common metal not included in other classes; ores.), 7(Machines, machine tools, power-operated tools; motors and engines, except for land vehicles; machine coupling and transmission components, except for land vehicles; agricultural implements, other than

hand-operated hand tools; incubators for eggs; automatic vending machines; Roller shutter motors; Sliding and swing gate motors.), 16(Paper and cardboard; printed matter; bookbinding material; photographs; stationery and office requisites, except furniture; adhesives for stationery or household purposes; drawing materials and materials for artists; paintbrushes; instructional and teaching materials; plastic sheets, films and bags for wrapping and packaging; printers' type, printing blocks.) and 35(Advertising; business management, organization and administration; office functions.) **(526)**: Registration of this mark shall give no right to the exclusive use of the letter 'N' separately and apart from the mark as a whole. **(730)**: NIRMAL FABRICATORS LTD of P. O. Box 17772 - 00500, Nairobi, Kenya **(740)**: None

(210): 130755 **(220)**: 01/11/2023

(300): None **(511)**: 5(Pharmaceuticals) **(526)**: None **(730)**: MEDINA REMEDIES LIMITED of P. O. Box 47346 - 00100, Nairobi, Kenya **(740)**: None

REMETHER

(210): 130768 **(220)**: 01/11/2023

(300): None **(511)**: 7(Machines and machine tools; motors and engines (except for land vehicles); machine coupling and transmission components (except for land vehicles); agricultural implements other than hand-operated; incubators for eggs; automatic vending machines.) **(526)**: Registration of this mark shall give no right to the exclusive use of the words 'Genuine', 'Parts', the letters 'J' and 'E' each separately and apart from the mark as a whole. **(730)**: PENG, HONGCAN of P. O. Box 37397 - 00100, Nairobi, Kenya **(740)**: None



(210): 130769 **(220)**: 01/11/2023

(300): None **(511)**: 7(Machines and machine tools; motors and engines (except for land vehicles); machine coupling and transmission components (except for land vehicles); agricultural implements other than hand-operated; incubators for eggs; automatic vending machines.) **(526)**: Registration of this mark shall give no right to the exclusive use of the letters "F", and "T" separately and apart from the mark as a whole. The Chinese characters forming the part of the mark means always going up when translated in english. **(730)**: PENG, HONGCAN of P. O. Box 37397 - 00100, Nairobi, Kenya **(740)**: None



(210): 130770 **(220)**: 01/11/2023

(300): None **(511)**: 7(Machines and machine tools; motors and engines (except for land vehicles); machine coupling and transmission components (except for land vehicles); agricultural implements other than hand-operated; incubators for eggs; automatic vending machines.) **(526)**: Registration of this mark shall give no right to the exclusive use of the words 'Genuine', 'Parts', the letters 'D', 'J' & 'M' each separately and apart from the mark as a whole. **(730)**: PENG, HONGCAN of P. O. Box 37397 - 00100, Nairobi, Kenya **(740)**: None



(210): 130772 **(220)**: 01/11/2023

(300): None **(511)**: 29(Meat; fish-or vegetable-based food) **(526)**: Registration of this mark shall give no right to the exclusive use of the words 'Nyiri Nyiri', 'Taste', 'Desert' and letter 'N' each separately and apart from the mark as a whole. The translation into english of the Borana word 'Nyiri Nyiri' is 'Meat Cubes'. **(730)**: MASTERSLICES LTD. of P. O. Box 366 - 60300, Isiolo, Kenya **(740)**: None



(210): 130776 (220): 01/11/2023
 (300): None (511): 41(Education; providing of training; entertainment; sporting and cultural activities;) (526): Registration of this mark shall give no right to the exclusive use of the words 'Mara', 'Elephant' and 'Project' each separately and apart from the mark as a whole. (730): MARA ELEPHANT PROJECT of P. O. Box 2606 - 00502, Nairobi, Kenya (740): BOWMANS of P. O. Box 10643 - 00100, Nairobi, Kenya

MARA ELEPHANT PROJECT

(210): 130783 (220): 02/11/2023
 (300): None (511): 5(Pharmaceuticals) (526): None (730): GLOBE PHARMACY LTD of P. O. Box 58171 - 00200, Nairobi, Kenya (740): None

ISPALAX

(210): 130784 (220): 02/11/2023
 (300): None (511): 22(Sacks and bags) (526): Registration of this mark shall give no right to the exclusive use of the words 'Solar' and 'Bag' each separately and apart from the mark as a whole. (730): FAINA INNOVATIONS LIMITED of P.O. Box 6550, Nairobi, Kenya (740): None



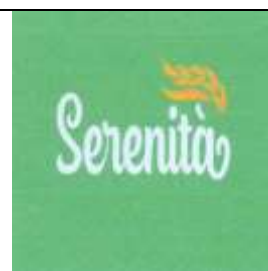
(210): 130786 (220): 02/11/2023
 (300): None (511): 3(Bleaching preparations and other substances for laundry use; cleaning, polishing, scouring and abrasive preparations; soaps; perfumery, essential oils, cosmetics, hair lotions; dentifrices) (526): Registration of this mark shall give no right to the exclusive use of the words 'Feels' and 'Soft' each separately and apart from the mark as a whole. (730): NDUGA INDUSTRIES LIMITED of P. O. Box 466 - 00219, Nairobi, Kenya (740): None



(210): 130789 (220): 02/11/2023
 (300): None (511): 30(Spices) (526): Registration of this mark shall give no right to the exclusive use of the words 'Gourmet' and 'Spices' each separately and apart from the mark as a whole. 'Ciso' is a coined word has no meaning in English (730): OTIENO JOSEPH of P. O. Box 2529 - 20100, Nakuru, Kenya (740): None



(210): 130792 (220): 02/11/2023
 (300): None (511): 30(Spagetti) (526): Registration of this mark shall give no right to the exclusive use of the device of wheat flour each separately and apart from the mark as a whole. Serenita is a coined word has no meaning in English. (730): HASBA KENYA LIMITED of P. O. Box 11500 - 00400, NAIROBI, Kenya (740): None



(210): 130796 (220): 03/11/2023
 (300): None (511): 5(SANITARY PADS) (526): Registration of this mark shall give no right to the exclusive use of the words 'Ultra', 'Sanitary' and 'Pads' each separately and apart from the mark as a whole. The translation into English of the Kiswahili word Lulu is Precious. (730): YASIRO AFRIKA of P. O. Box 24761 - 00200, Nairobi, Kenya (740): None



(210): 130805 (220): 03/11/2023
 (300): None (511): 4(Lubricants) (526): None (730): BITUTECH LIMITED of P. O. Box 81250 - 80100, Mombasa, Kenya (740): None



(210): 130806 (220): 03/11/2023

(300): None (511): 4(Lubricants) (526): None (730): BITUTECH LIMITED of P. O. Box 81250 - 80100, Mombasa, Kenya (740): None



BITUL

(210): 130807 (220): 03/11/2023

(300): None (511): 4(Lubricants) (526): None (730): BITUTECH LIMITED of P. O. Box 81250 - 80100, Mombasa, Kenya (740): None



BITUGEAR

(210): 130808 (220): 03/11/2023

(300): None (511): 4(Lubricants) (526): None (730): BITUTECH LIMITED of P. O. Box 81250 - 80100, Mombasa, Kenya (740): None



HYDRONOL

(210): 130809 (220): 03/11/2023

(300): None (511): 4(Lubricants) (526): None (730): BITUTECH LIMITED of P. O. Box 81250 - 80100, Mombasa, Kenya (740): None



BITUTECH

(210): 130810 (220): 03/11/2023

(300): None (511): 4(Lubricants) (526): None (730): BITUTECH LIMITED of P. O. Box 81250 - 80100, Mombasa, Kenya (740): None



BITUGREASE

(210): 130811 (220): 03/11/2023

(300): None (511): 4(Lubricants) (526): None (730): BITUTECH LIMITED of P. O. Box 81250 - 80100, Mombasa, Kenya (740): None



BITUTRANS

(210): 130816 (220): 06/11/2023

(300): None (511): 36(Monetary and Financial services Rendered by a Savings and Credit Cooperative (Sacco) Society Limited) (526): Registration of this mark shall give no right to the exclusive use of the words 'sacco', 'society', 'ltd' and the device of hands join together each separately and apart from the mark as a whole. (730): JOINAS SAVINGS AND CREDIT CO-OPERATIVE SOCIETY LIMITED of P. O. Box 669 - 00219, Karuri, Kenya (740): Chege Kibathi & Company Advocates LLP of P. O. Box 21686 - 00100, Nairobi, Kenya



(210): 130828 (220): 06/11/2023

(300): None (511): 29(Meat, fish, poultry and game; meat extracts; preserved, frozen, dried and cooked fruits and vegetables; jellies, jams, compotes; eggs; milk, cheese, butter, yogurt and other milk products; oils and fats for food.), 30(Coffee, tea, cocoa and artificial coffee; rice, pasta and noodles; tapioca and sago; flour and preparations made from cereals; bread, pastries and confectionery; chocolate; ice cream, sorbets and other edible ices; sugar, honey, treacle; yeast, baking powder; salt, seasonings, spices, preserved herbs; vinegar, sauces and other condiments· ice frozen water) and 32(Non-alcoholic beverages; mineral and aerated waters; fruit beverages and fruit juices; syrups and other non-alcoholic preparations for making beverages.) (526): Registration of this mark shall give no right to the exclusive use of the words 'INSTANT', 'FULL', 'MILK', 'POWDER' and the device of the LEAVES each separately and apart from the mark as a whole. 'LATIFA' is a name of a girl in Arabic. (730): SOQORTA TRADERS LIMITED of P. O. Box 40893 - 80100, Mombasa, Kenya (740): None



(210): 130840 (220): 07/11/2023

(300): None (511): 5(pharmaceuticals and medical preparations sanitary preparations for medical purposes dietetic food and substances adapted for medical use, food for babies dietary supplements for humans and animals plasters, materials for dressings material for stopping teeth, dental wax disinfectants.), (526): None (730): SHANGHAI FOSUN PHARMACEUTICALS INDUSTRIAL DEVELOPMENT CO. LTD of RM.1101, BLDG B, #1289 YISHAN RD. SHANGHAI 200233, China (740): Kabau & Associates Advocates of P. O. Box 101136 - 00101, Nairobi, Kenya

FOSARCO

(210): 130854 (220): 07/11/2023

(300): None (511): 41(Organisation of sports and cultural events and activities; rental of video and audiovisual recordings; online electronic publishing of books and periodicals; online game services; translation services; video recordings; services for taking pictures and publication of printed matter related to sports) (526): Registration of this mark shall give no right to the exclusive use of the words 'PADEL', 'LEAGUE', 'NAIROBI', the letters 'N', 'P' and 'L', the devices of "BUILDINGS" and "RACKETS" each separately and apart from the mark as a whole. (730): RAA a limited liability company duly incorporated under the laws of Kenya of P. O. Box 3355 - 00100, Nairobi, Kenya (740): None



(210): 130855 (220): 07/11/2023

(300): None (511): 32(Drinking water) (526): Registration of this mark shall give no right to the exclusive use of the letter 'M', the words 'PREMIUM', 'DRINKING' and 'WATER' each separately and apart from the mark as a whole. 'Maayan' is a coined word (730): SIZWE PHARMACEUTICALS LIMITED of P. O. Box 1050 - 00520, Nairobi, Kenya (740): None



(210): 130857 (220): 08/11/2023

(300): None (511): 5(Pharmaceuticals; dietary supplements for human beings and animals.) (526): Registration of this mark shall give no right to the exclusive use of the word 'COFFEE' separately and apart from the mark as a whole. (730): PATRAS PHARMACY LTD. of P. O. Box 379 - 00618, Ruaraka, Nairobi, Kenya (740): None

PATRAMAX COFFEE

(210): 130858 (220): 08/11/2023

(300): None (511): 24(Textiles and textile goods, not included in other classes; bed covers; table Covers.) (526): 'OSHA' is a Zulu word which means 'WEIGHTY' in English (730): LUXE YARN LTD of P. O. Box 70128 - 00400, Nairobi, Kenya (740): None

Osha

(210): 130859 (220): 08/11/2023

(300): None (511): 43(Hotel and restaurant services) (526): None 'BWIBO' is a local Luhya name specifically among the Wanga people meaning 'PRINCESS'. (730): VANESSA AYUMA BWIBO of P. O. Box 8082 - 00300, Nairobi, Kenya (740): None



(210): 130861 (220): 08/11/2023

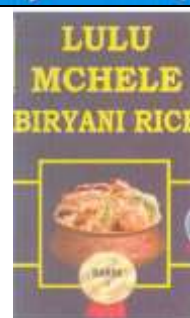
(300): None (511): 9(Apparatus for recording, transmission or reproduction of sounds or images; recording discs, data processing equipment and computers; apparatus and instruments for conducting switching, transforming, accumulating regulating or controlling electricity.) (526): None (730): ALFALFA DIGITAL SUPPLIES of P. O. Box 9063 - 00100, Nairobi, Kenya (740): None

Alfalfa

(210): 130864 **(220):** 08/11/2023
(300): None **(511):** 30(Rice) **(526):** Registration of this mark shall give no right to the exclusive use of device of a 'CROWN' separately and apart from the mark as a whole. 'SUPREMO' is a coined word **(730):** SAT KARTAR TRADING LIMITED of P. O. Box 3525 - 80100, Mombasa, Kenya **(740):** None



(210): 130865 **(220):** 08/11/2023
(300): None **(511):** 30(Rice) **(526):** Registration of this mark shall give no right to the exclusive use of the words 'MCHELE', 'BIRYANI', 'RICE' and 'GRADE 1' and device of POT each separately and apart from the mark as a whole. The translation into English of the Kiswahili words 'LULU' & 'MCHELE' is 'REMARKABLE' & 'RICE' respectively. **(730):** SAT KARTAR TRADING LIMITED of P. O. Box 3525 - 80100, Mombasa, Kenya **(740):** None



(210): 130876 **(220):** 09/11/2023
(300): None **(511):** 38(Telecommunication services.) and 41(Education; providing of training; entertainment; sporting and cultural activities.) **(526):** Registration of this mark shall give no right to the exclusive use of the letters 'F' and 'M' each separately and apart from the mark as a whole. **(730):** DARWY AFRIK PHOTOGRAPHY AND SAFARIS LTD of P. O. Box 5572 - 30100, Eldoret, Kenya **(740):** None

ASSIS FM

(210): 130882 **(220):** 09/11/2023
(300): None **(511):** 11(led floodlight, solar floodlight, sockets, panel lighting) **(526):** Registration of this mark shall give no right to the exclusive use of the word 'LUX' and letter 'A' each separately and apart from the mark as a whole. **(730):** ALLAN WAWERU GATHOGO AND MIRIAM GITAU NJERI of P. O. Box 61728 - 00200, Nairobi, Kenya **(740):** None

A-LUX

(210): 130884 **(220):** 09/11/2023
(300): None **(511):** 25(Clothing, footwear, headgear) **(526):** Registration of this mark shall give no right to the exclusive use of the word 'SUPREME' and letters 'G', 'T' & 'S' and the device of a 'SHIRT' each separately and apart from the mark as a whole. I claim use of the colours "orange" and "purple" respectively **(730):** GATUNDU TRAVELLERS SACCO of P. O. Box 267 - 01030, Gatundu, Kenya **(740):** None



(210): 130885 **(220):** 09/11/2023
(300): None **(511):** 25(Clothing, footwear, headgear) **(526):** Registration of this mark shall give no right to the exclusive use of the word 'SUPREME', the letters 'G', 'T' & 'S' and the device of a 'SHIRT' each separately and apart from the mark as a whole. I claim use of the colours "orange" and "blue" respectively **(730):** GATUNDU TRAVELLERS SACCO of P. O. Box 267 - 01030, Gatundu, Kenya **(740):** None



(210): 130898 **(220):** 10/11/2023
(300): None **(511):** 5(Pharmaceutical and Veterinary preparations) **(526):** None **(730):** COSMOS LIMITED of P. O. Box 41433 - 00100, Nairobi, Kenya **(740):** None

COSITILO

(210): 130899 **(220):** 10/11/2023
(300): None **(511):** 5(Pharmaceutical and Veterinary preparations) **(526):** None **(730):** COSMOS LIMITED of P. O. Box 41433 - 00100, Nairobi, Kenya **(740):** None

FOSFOCOS

(210): 130900 **(220):** 10/11/2023
(300): None **(511):** 5(Pharmaceutical and Veterinary preparations) **(526):** None **(730):** COSMOS LIMITED of P. O. Box 41433 - 00100, Nairobi, Kenya **(740):** None

TILOBOV

(210): 130904 **(220):** 10/11/2023
(300): None **(511):** 31(Raw and unprocessed agricultural, aquacultural, horticultural and forestry products; raw and unprocessed grains and seeds; fresh fruits and vegetables, fresh herbs; natural plants and flowers; bulbs, seedlings and seeds for planting; live animals; foodstuffs and beverages for animals; malt.) **(526):** None **(730):** FOLLOW THE SUN LTD of P.O. Box 14154-00800, Nairobi, Kenya **(740):** None



(210): 130906 **(220):** 10/11/2023
(300): None **(511):** 9(Apparatus and instruments for conducting, switching, transforming, accumulating, regulating or controlling the distribution or use of electricity.) and 11(Apparatus and installations for electricity, lighting, heating, cooling, steam generating, cooking, drying, ventilating, water supply and sanitary purposes) **(526):** Registration of this mark shall give no right to the exclusive use of the letters 'A' and 'I' each separately and apart from the mark as a whole. **(730):** ORO INVESTMENTS LTD of P. O. Box 6955-00300, Nairobi, Kenya **(740):** None



(210): 130911 **(220):** 14/11/2023
(300): None **(511):** 5(Insecticides; fungicides; herbicides; acaricides; algicides; avicides; bactericides; miticides; molluscicides; nematocides; weedicides; rodenticides; and pesticides.) **(526):** None The word 'Sulbari' is an invented word and does not have any specific meaning in English. **(730):** SML KENYA PVT LIMITED of P. O. Box 48076 - 00100, The Pavillion, Westlands, Nairobi, Kenya **(740):** Ong'anya Ombo Advocates LLP of P.O.Box 15598 - 00400, Nairobi

SULBARI

(210): 130912 **(220):** 14/11/2023
(300): None **(511):** 5(Insecticides; fungicides; herbicides; acaricides; algicides; avicides; bactericides; miticides; molluscicides; nematocides; weedicides; rodenticides; and pesticides.) **(526):** None The word Soltran is an invented word and does not have any specific meaning in English. **(730):** SML KENYA PVT LIMITED of P.O. Box 48076 - 00100, The Pavillion, Westlands, Nairobi, Kenya **(740):** Ong'anya Ombo Advocates LLP of P.O.Box 15598 - 00400, Nairobi

SOLTRAN

(210): 130913 **(220):** 14/11/2023
(300): None **(511):** 5(Insecticides; fungicides; herbicides; acaricides; algicides; avicides; bactericides; miticides; molluscicides; nematocides; weedicides; rodenticides; and pesticides.) **(526):** None The word Sulclean is an invented word and does not have any specific meaning in English. **(730):** SML KENYA PVT LIMITED of P. O. Box 48076 - 00100, The Pavillion, westlands, Nairobi, Kenya **(740):** Ong'anya Ombo Advocates LLP of P.O.Box 15598 - 00400, Nairobi

SULCLEAN

(210): 130914 **(220):** 14/11/2023
(300): None **(511):** 5(Insecticides; fungicides; herbicides; acaricides; algicides; avicides; bactericides; miticides; molluscicides; nematocides; weedicides; rodenticides; and pesticides.) **(526):** None The word Wettasul is an invented word and does not have any specific meaning in English. **(730):** SML KENYA PVT LIMITED of P.O. Box 48076 - 00100, The Pavillion, Westlands, Nairobi, Kenya **(740):** Ong'anya Ombo Advocates LLP of P.O.Box 15598 - 00400, Nairobi, Kenya

WETTASUL

(210): 130915 (220): 14/11/2023

(300): None (511): 30(Maize Flour) (526): Registration of this mark shall give no right to the exclusive use of the words 'Maize', 'Flour' and the device of 'Maize Corn' each separately and apart from the mark as a whole. 'Chebe' is a coined word. (730): MENENGAI GRAIN MILLERS LTD of P. O. Box 3613 - 20100, Nakuru, Kenya (740): None



(210): 130918 (220): 14/11/2023

(300): None (511): 1(silicon and silicones, concrete sealing chemicals, adhesive fillers to fill surface imperfections, compositions of adhesives and fillers to repair seals, adhesives for industrial use, commercial glues and adhesives, glues for industrial uses, adhesive compositions and fillers for repairing seals, products for engine repair and maintenance, adhesive compositions with a base of epoxy resins for use in industry, epoxy resins, unprocessed.) and 17(silicone compounds and sealants, adhesive materials, joint filling and sealing compounds and preparations, materials (non-metallic) for the manufacture of gaskets, sealant compounds for joints, compositions, substances and materials for sealing, sealing laminates, gels for forming protective seals against moisture, heat sealant preparations, non-metallic materials for repairing and/ or sealing radiators and sealing joints, robber sealing materials, robber sealants for joints, sealants for seams in vehicle bodywork, sealants for gaskets.) (526): Registration of this mark shall give no right to the exclusive use of the words 'Seal', 'Adhesives', 'Sealants', the letter 'F' and device of a 'Hand' each separately and apart from the mark as a whole. (730): NANCY MUTHONI of P. O. Box 70287 - 00400, Nairobi, Kenya (740): None



(210): 130922 (220): 14/11/2023

(300): None (511): 44(Medical services; veterinary services; hygienic and beauty care for human beings or animals; agriculture, horticulture and forestry services.) (526): Registration of this mark shall give no right to the exclusive use of the words 'Virtual' and 'Care' each separately and apart from the mark as a whole. (730): BODYKRAFT HEALTHCARE LIMITED of P. O. Box 32148 - 00600, Nairobi, Kenya (740): None

virtualcare

(210): 130937 (220): 15/11/2023

(300): None (511): 41(ONLINE CASINO) (526): Registration of this mark shall give no right to the exclusive use of the letter "M" separately and apart from the mark as a whole (730): ZERIUM CASINO of P. O. Box 10340 - 00100, Nairobi, Kenya (740): None



(210): 130940 (220): 15/11/2023

(300): None (511): 30(Flour and preparations made from cereals; bread, pastry and confectionary) (526): Registration of this mark shall give no right to the exclusive use of the words 'Wimbi', 'Original', 'Product', 'Flour', 'Maroa', the numerals '100%' and the devices of the 'Bowl' and 'Spoon' each separately and apart from the mark as a whole. 'Maroa' is a traditional Meru porridge. The kiswahili word 'Wimbi' translates into 'Millet' in English. (730): SALOBA GROUP COMPANY LIMITED of P.O. Box 6 - 00902, Kikuyu, Kenya (740): None



(210): 130944 (220): 15/11/2023

(300): None (511): 4(Electrical Energy), 9(Transmitters (telecommunication), Solar panels for the production of electricity, solar batteries, solar panels for the production of electricity.), 38(Satellite transmission and teleconferencing services) and 42(Telecommunication network security consultancy, Telecommunications Technology Consultancy, information technology [IT] support services [troubleshooting of software], computer security consultancy, Telecommunications Technology Consultancy, Technological consultancy services for digital transformation, consultancy in the field of energy-saving, energy auditing.) (526): Registration of this trademark shall give no right to the exclusive use of the Letter 'I' each separately and apart from the mark as a whole. (730): INTERVLAN NETWORKS LIMITED of P. O. Box 2664 - 00610, Eastleigh, Nairobi, Kenya (740): CHEBON KIPROP BENJAMIN of P. O. Box 9892-00100, Nairobi, Kenya



(210): 130945 (220): 15/11/2023

(300): None (511): 4(Petroleum, raw or refined, petrol/gasoline and solidified gases (fuel), diesel oil/gas oil, industrial grease, industrial oil and lubricants.), 5(Sugar for medical purposes and pharmaceutical preparations.), 30(Sugar, crystallized rock sugar, sugar substitutes for culinary purposes, confectionery/sugar confectionery), 31(Live animals.), 35(Wholesale services for pharmaceutical, veterinary and sanitary preparations and medical supplies), 37(Mining extraction), 40(Slaughtering of animals) and 42(Exploration services in the field of the oil, gas and mining industries) (526): Registration of this trademark shall give no right to the exclusive use of the words 'HOLDINGS' and 'LIMITED' each separately and apart from the mark as a whole. (730): SEAFLOOR HOLDING LIMITED of P. O. Box 2664 - 00610, Eastleigh, Nairobi, Kenya (740): Chebon Kiprop Benjamin of P.O. Box 9892 - 00100, Nairobi, Kenya



(210): 130950 (220): 15/11/2023

(300): None (511): 25(Clothing, footwear, headwear.) (526): None The applicant claims colour #F8C34D The translation into English of the Kiswahili word 'Silika' is 'Instinct'. (730): SILIKA ENTERPRISE LIMITED of P. O. Box 1379 - 00606, Nairobi, Kenya (740): None



(210): 130951 (220): 15/11/2023

(300): None (511): 21(Household or kitchen utensils and containers) (526): None (730): ADINATH INDUSTRIES LIMITED of P. O. Box 17793 - 00500, Plot No. 209/8637, Nanyuki Road, Industrial Area, Nairobi, Kenya (740): Timothy Got Ondego Advocates of P.O. Box 1301 - 00200, Nairobi, Kenya



(210): 130952 (220): 15/11/2023

(300): None (511): 21(Household or kitchen utensils and containers) (526): Registration of this mark shall give no right to the exclusive use of the words 'Industries' and 'Limited' each separately and apart from the mark as a whole. (730): ADINATH INDUSTRIES LIMITED of P. O. Box 17793 - 00500, Plot No. 209/8637, Nanyuki Road, Industrial Area, Nairobi, Kenya (740): Timothy Got Ondego Advocates of P.O. Box 1301 - 00200, Nairobi, Kenya



(210): 130953 **(220):** 15/11/2023**(300):** None **(511):** 5(pharmaceuticals and medical preparations; sanitary preparations for medical purposes; dietetic food and substances adapted for medical use, food for babies; dietary supplements for human beings; plasters, materials for dressings; material for stopping teeth, dental wax;. Disinfectants.) **(526):** None **(730):** TAWWAB PHARMA PVT. LIMITED of Sudarshan Sky Garden, D Block 1201, Marigold, Gb Road, Thane 400615, India **(740):** Kabau & Associates Advocates of P. O. Box 101136 - 00101, Nairobi, Kenya**ESONESO****(210):** 130954 **(220):** 15/11/2023**(300):** None **(511):** 5(pharmaceuticals and medical preparations; sanitary preparations for medical purposes; dietetic food and substances adapted for medical use, food for babies; dietary supplements for human beings; plasters, materials for dressings; material for stopping teeth, dental wax;. Disinfectants.) **(526):** None **(730):** TAWWAB PHARMA PVT. LIMITED of Sudarshan Sky Garden, D Block 1201, Marigold, Gb Road, Thane 400615, India **(740):** Kabau & Associates Advocates of P. O. Box 101136 - 00101, Nairobi, Kenya**TAWABIN****(210):** 130955 **(220):** 15/11/2023**(300):** None **(511):** 5(pharmaceuticals and medical preparations; sanitary preparations for medical purposes; dietetic food and substances adapted for medical use, food for babies; dietary supplements for human beings; plasters, materials for dressings; material for stopping teeth, dental wax;. Disinfectants.) **(526):** None **(730):** TAWWAB PHARMA PVT. LIMITED of Sudarshan Sky Garden, D Block 1201, Marigold, Gb Road, Thane 400615, India **(740):** Kabau & Associates Advocates of P. O. Box 101136 - 00101, Nairobi, Kenya**TAFOTAX****(210):** 130956 **(220):** 15/11/2023**(300):** None **(511):** 5(pharmaceuticals and medical preparations; sanitary preparations for medical purposes; dietetic food and substances adapted for medical use, food for babies; dietary supplements for human beings; plasters, materials for dressings; material for stopping teeth, dental wax;. Disinfectants.) **(526):** None **(730):** TAWWAB PHARMA PVT. LIMITED of Sudarshan Sky Garden, D Block 1201, Marigold, Gb Road, Thane 400615, India **(740):** Kabau & Associates Advocates of P. O. Box 101136 - 00101, Nairobi, Kenya**TAWGRAF****(210):** 130957 **(220):** 15/11/2023**(300):** None **(511):** 5(pharmaceuticals and medical preparations; sanitary preparations for medical purposes; dietetic food and substances adapted for medical use, food for babies; dietary supplements for human beings; plasters, materials for dressings; material for stopping teeth, dental wax;. Disinfectants.) **(526):** None **(730):** TAWWAB PHARMA PVT. LIMITED of Sudarshan Sky Garden, D Block 1201, Marigold, Gb Road, Thane 400615, India **(740):** Kabau & Associates Advocates of P. O. Box 101136 - 00101, Nairobi, Kenya**TIRZAWELL****(210):** 130973 **(220):** 16/11/2023**(300):** None **(511):** 41(Services relating to education, training, entertainment, sporting and cultural activities) and 43(Services for providing food and drink; Temporary acomodation) **(526):** Registration of this mark shall give no right to the exclusive use of the letters 'G', 'M' and 'C' the words 'CHOMA', 'RANCH' and 'PIZZERIA' and the device of 'CUTLERY' and a 'FLAME' per se each separately and apart from the mark as a whole The English translation of the word 'CHOMA' is BURN or ROAST. The source language is Swahili. The English translation of the word

'PIZZERIA' is an establishment where PIZZAS are made or sold. The source language is ITALY (730): GMC POT LIMITED of P. O. Box 623 - 00600, 14th Floor ABSA Towers Loita Street, Nairobi, Kenya (740): None

(210): 130974 (220): 16/11/2023

(300): None (511): 41(Services relating to education, Training and Entertainment) (526): Registration of this mark shall give no right to the exclusive use of the Letters 'G', 'W' and the name 'WACHIURI' each separately and apart from the mark as a whole (730): GEORGE KARIUKI WACHIURI of P. O. Box 623 - 00600, 14th Floor ABSA Towers Loita Street, Nairobi, Kenya (740): None



(210): 130975 (220): 16/11/2023

(300): None (511): 36(Real Estate Affairs) (526): None (730): OPTIVEN LIMITED of P.O. Box 623 - 00600, 14th Floor ABSA Towers Loita Street, Nairobi, Kenya (740): None



(210): 130976 (220): 16/11/2023 (300): None (511): 36(Real Estate affairs) (526): None (730): OPTIVEN LIMITED of P.O. Box 623 - 00600, 14th Floor ABSA Towers Loita Street, NAIROBI, Kenya (740): None



KIPPRA

(210): 130981 (220): 16/11/2023

(300): None (511): 16(Publications namely reports, books, journals, articles in the field of economics and public policy; stationery and office requisites; banners; bookmarks; instructional and teaching materials.), 35(Advertising; commercial business administration, organization and management; office functions.), 41(Education; providing of training in relation to public policy; arranging and conducting of conferences; arranging and conducting of in-person educational forums; arranging and conducting of seminars; arranging and conducting of symposiums; arranging and conducting of workshops [training]; online publication of electronic books and journals; publication of books.) and 42(Research services in the field of economics and public policy.) (526): Registration of this mark shall give no right to the exclusive use of the letters 'K', 'I', 'P', 'R' and 'A' each separately and apart from the mark as a whole. The term 'KIPPRA' means 'Kenya Institute for Public Policy Research and Analysis'. (730): KENYA INSTITUTE FOR PUBLIC POLICY RESEARCH AND ANALYSIS of P. O. Box 56445 - 00200, 2nd floor, Bishops Garden Towers, Bishops Road, Nairobi, Kenya (740): None

(210): 130982 (220): 16/11/2023

(300): None (511): 16(Publications namely reports, books, journals, articles in the field of economics and public policy; stationery and office requisites; banners; bookmarks; instructional and teaching materials.), 5(Advertising; commercial business administration, organization and management; office functions), 41(Education; providing of training in relation to public policy; arranging and conducting of conferences; arranging and conducting of in-person educational forums; arranging and conducting of seminars; arranging and conducting of symposiums; arranging and conducting of workshops [training]; online publication of electronic books and journals; publication of books.) and 42(Research services in the field of economics and public policy.) (526): Registration of this mark shall give no right to the exclusive use of the words 'Kenya', 'Institute', 'Public', 'Policy', 'Research' and 'Analysis' each separately and apart from the mark as a whole. (730): KENYA INSTITUTE FOR PUBLIC POLICY RESEARCH AND ANALYSIS of P. O. Box 56445 - 00200, 2nd floor, Bishops Garden Towers, Bishops Road, Nairobi, Kenya (740): None



Thinking Policy Together

(210): 130983 **(220):** 16/11/2023

(300): None **(511):** 16(Publications namely reports, books, journals, articles in the field of economics and public policy; stationery and office requisites; banners; bookmarks; instructional and teaching materials.), 5(Advertising; commercial business administration, organization and management; office functions), 41(Education; providing of training in relation to public policy; arranging and conducting of conferences; arranging and conducting of in-person educational forums; arranging and conducting of seminars; arranging and conducting of symposiums; arranging and conducting of workshops [training]; online publication of electronic books and journals; publication of books.) and 42(Research services in the field of economics and public policy.) **(526):** None **(730):** KENYA INSTITUTE FOR PUBLIC POLICY RESEARCH AND ANALYSIS of P. O. Box 56445 - 00200, 2nd floor, Bishops Garden Towers, Bishops Road, Nairobi, Kenya **(740):** None



(210): 130984 **(220):** 16/11/2023

(300): None **(511):** 36(Insurance; financial affairs; monetary affairs; real estate affairs) **(526):** Registration of this mark shall give no right to the exclusive use of the letters 'D', 'V' and 'O' each separately and apart from the mark as a whole. **(730):** LAURELAND HOMES LIMITED of P. O. Box 17643 - 00100, G.P.O, Nairobi, Kenya **(740):** Owaga And Associates LLP Advocates of P. O. Box 14826 - 00100, Nairobi, Kenya



Dolce Vita Oasis

(210): 131002 **(220):** 16/11/2023

(300): None **(511):** 9(Recorded, downloadable media and other digital recording media, Data processing equipment, computers, computer software and storage media) and 38(Telecommunications) **(526):** None The Kiswahili word 'METAMETA' translates into 'SHINE' or 'SHINY' in English **(730):** CITY OF LIGHT MEDIA LIMITED of P. O. Box 52258 - 00100, Nairobi, Kenya **(740):** None

MetaMeta

(210): 131009 **(220):** 16/11/2023

(300): None **(511):** 39(Transport; packaging and storage of goods; travel arrangement.) **(526):** Registration of this mark shall give no right to the exclusive use of the words 'MOBILITY', 'SONGA' and 'MOVING' each separately and apart from the mark as a whole. 'SONGA' is a Kiswahili word which translates into 'MOVE ON' in English. **(730):** EAST AFRICAN SMART VILLAGES & RURAL MOBILITY LIMITED of P. O. Box 9527 - 00300, Nairobi, Kenya **(740):** Wambugu & Muriuki Advocates of P. O. Box 15470 - 00400, Nairobi, Kenya



(210): 131010 **(220):** 17/11/2023

(300): 98/171537 of 08/09/2023 in US **(511):** 35(International development and humanitarian relief services through grassroots assistance, namely, developing, coordinating, organizing and conducting volunteer projects in the nature of working with community groups to ensure they are key stakeholders throughout the development process and infrastructure projects, working with communities so that they select the projects they most want to work on, getting their buy-in throughout all stages of the project, working with local community groups to ensure infrastructure projects generate employment, and vocational training, community mobilization or democratization programs, working to help inform community members about their rights/responsibilities, creating linkages with their local governments so that they can be better advocates, informing them of available services, cooperative development services, association building services, creation and strengthening of NGO's, working to develop



community member's skill sets so as to help them through the process of establishing themselves institutionally, as needed, to continue local development efforts; promote, assist, develop and implement programs directed toward improvement of the economic and general living conditions of vulnerable families around the world and empowering people to enhance health, end hunger, overcome hardships and advance the well-being of women and girls), 36(International development and humanitarian relief services, namely, providing a wide range of financial assistance to low-income and other distressed communities in various areas, namely, providing micro credit to expand or start businesses, fund education, fund home improvement, fund agricultural production and marketing; wholesale commercial lending to institutions; provide funding for programs directed toward improvement of the economic and general living conditions of vulnerable families around the world; providing financial assistance for vulnerable families in the fields of including local governance, health, sanitation, environmental improvement, urban development, agriculture, food security, and financial inclusion), 37(International development and humanitarian relief services, namely, providing a wide range of infrastructural assistance to low-income and other distressed communities, namely, construction of transitional shelters, construction of permanent homes, construction of developed waste management and water treatment/purification systems, construction of roads, bridges, electrical systems, schools, clinics and other municipal systems), 41(Educational and training services in the nature of educating and informing the general public and governments regarding SUp011 and funding for vulnerable families and Related humanitarian assistance programs; providing training and technical assistance to vulnerable families and humanitarian organizations in the fields of including local governance, health, sanitation, environmental improvement, urban development, agriculture, food security, and financial inclusion), 42(International development and humanitarian relief services, namely, providing a wide range of infrastructural assistance to low-income and other distressed communities, namely, provision and design of transitional shelters, design of permanent homes, engineering in the field of developed waste management and water treatment/purification systems, engineering in the field of rehabilitation of roads, bridges, electrical systems, schools, clinics and other municipal systems; provide technical and expert services in the field of humanitarian relief services) and 43(International development and humanitarian relief services, namely, providing a wide range of infrastructural assistance to low-income and other distressed communities, namely, provision of transitional shelters made out of materials such as bamboo, brick, metal, concrete and cinder blocks and sanitation systems in disaster settings) (526): None (730): GLOBAL COMMUNITIES, INC. (A New Jersey Corporation) of 8601 Georgia A venue, Suite 800 Silver Spring, Maryland 20910., United States of America (740): Kibungei & Company Advocates of P. O. Box 103082 - 00101, Nairobi, Kenya

(210): 131018 **(220):** 17/11/2023
(300): None **(511):** 32(Fruit drinks; Fruit Juices; Syrups; other preparations for making beverages, mineral and aerated waters)
(526): Registration of this mark shall give no right to the exclusive use of the words 'Cold-pressed' and 'Juice' each separately and apart from the mark as a whole. 'LEO' means TODAY in English **(730):** AFYA DUKA LIMITED of P. O. Box 41385 - 00100, Nairobi, Kenya **(740):** None



(210): 131019 **(220):** 17/11/2023
(300): None **(511):** 43(Services for providing food and drink, temporary accomodation) **(526):** The word 'MUMMYDADAS' is derived from two words MUMMY from English and DADA from Kiswahili to mean a SISTER. The two are combined to form mark 'MUMMYDADAS' **(730):** DAVID MUTHEE of P. O. Box 69449 - 00400, Nairobi, Kenya **(740):** None

MUMMYDADAS

(210): 131031 **(220):** 17/11/2023
(300): None **(511):** 3(Baby Wipes, Cotton Buds) and 16(Tissue, Hand Towel, Kitchen Towel, Paper Serviette, Toilet paper)
(526): None **(730):** ROYAL CONVERTERS LIMITED of P. O. Box 11500 - 00400, Nairobi, Kenya **(740):** None



(210): 131035 **(220):** 17/11/2023
(300): None **(511):** 9(Scientific, research, navigation, surveying, photographic, cinematographic, audio visual. optical. weighing, measuring, signalling, detecting, testing, inspecting, life- saving and teaching apparatus and instruments; apparatus and instruments for conducting, switching, transforming, accumulating, regulating or controlling the distribution or use of electricity; apparatus and instruments for recording, transmitting, reproducing or processing sound, images or data; recorded and downloadable media, computer software, blank digital or analogue recording and storage media; mechanisms for coin-operated apparatus; cash registers, calculating devices; computers and computer peripheral devices; diving suits, divers' masks, ear plugs for divers, nose clips for divers and swimmers, gloves for divers, breathing apparatus for underwater swimming; fire-extinguishing apparatus; computer software applications; communications processing computer software; communication software; business management software; software for arranging online transactions and for the processing of business transactions; software relating to the handling of financial transactions; computer e-commerce software to allow users to perform electronic transactions via a global computer network; software for sending electronic message alerts and reminders via the internet; computer programs for financial management; computer programs relating to financial matters; payment software; apparatus for receiving cash payments; electronic financial transaction apparatus; mechanisms for pre-payment apparatus; machines for executing remote financial transactions; automatic access security apparatus; data security apparatus; software for generating virtual images; machine readable devices for cashless payment systems; automatic access control systems; computer communications software to allow customers to access bank account information and transact bank business; interface software; virtual assistant software), 36(Financial, monetary and banking services; insurance services; real estate services; facilitating or arranging financial transactions; financial advisory services; merchant banking; electronic debit transactions; electronic credit transactions; online financial



transactions; financial transfers and transactions and payment services; electronic banking; conducting cashless payment transactions; payment processing services; processing of payments for banks; automated payment services; payment administration services; contactless payment services; loyalty program payment processing services; providing cash and other rebates for use as part of a customer loyalty program; issuing of tokens of value in relation to customer loyalty schemes; charitable collections; charitable fundraising; charitable services; investment of funds for charitable purposes; providing information relating to charitable fundraising; charitable fundraising by means of directing a portion of customer's fees to a charity of customer's choice; charitable fundraising services by means of a website where donors search for and make monetary donations to specific charities or projects.) and 38(Telecommunication services; providing access to computer databases; computer and mobile communication services; providing online forums; providing online chatrooms for the transmission of messages and multimedia content among users; instant messaging services; internet portal services; internet portal services for the purpose of facilitating banking or financial transactions) **(526)**: None **(730)**: ABSA BANK LIMITED, A South African company of 15 Troye Street, Johannesburg, Gauteng, Republic of South Africa, South Africa **(740)**: Coulson Harney Advocates of P. O. Box 10643 - 00100, Nairobi, Kenya

(210): 131038 **(220)**: 20/11/2023

(300): None **(511)**: 41(Film direction and production services, other than for advertising films) **(526)**: Registration of this mark shall give no right to the exclusive use of the words 'AFRICA', 'IMPACT' and 'SERIES' each separately and apart from the mark as a whole. **(730)**: SANDIN CONSULTING LIMITED of P. O. Box 50716 - 00200, Nairobi, Kenya **(740)**: None



(210): 131046 **(220)**: 20/11/2023

(300): None **(511)**: 2(Paints) **(526)**: Registration of this mark shall give no right to the exclusive use of the word 'PAINTS' and the device of the 'PAINTING BRUSH' each separately and apart from the mark as a whole. **(730)**: NIHON KENYA LIMITED of P. O. Box 45523 - 00100, Nairobi, Kenya **(740)**: None



(210): 131047 **(220)**: 20/11/2023

(300): None **(511)**: 30(Spagetti and Pasta) **(526)**: Registration of this mark shall give no right to the exclusive use of the word 'BUONO' and the device of "wheat leaves" each separately and apart from the mark as a whole 'BUONO' is a Italian word that translates to "Good" or "Nice " in English **(730)**: HASBAH KENYA LIMITED of P. O. Box 11500 - 00400, Nairobi, Kenya **(740)**: None



(210): 131049 **(220)**: 20/11/2023

(300): None **(511)**: 16(Paper and cardboard; printed matter; bookbinding material; photographs; stationery and office requisites, except furniture; adhesives for stationery or household purposes; drawing materials and materials for artists; paintbrushes; instructional and teaching materials; plastic sheets, films and bags for wrapping and packaging; printers' type, printing blocks.), 35(Advertising; business management; business administration; office functions) and 42(Scientific and technological services and research and design relating thereto; industrial analysis, industrial research and industrial design services; quality control and authentication services; design and



development of computer hardware and software.) **(526)**: None
(730): KENYA ACCREDITATION SERVICES of P. O. Box 47400 - 00100, No. 06 Masaba Road, Upper Hill, Nairobi, Kenya **(740)**: Wangechi Wahome Advocates of P. O. Box 22994 - 00505, Nairobi, Kenya

(210): 131050 **(220)**: 20/11/2023

(300): None **(511)**: 16(Paper and cardboard; printed matter; bookbinding material; photographs; stationery and office requisites, except furniture; adhesives for stationery or household purposes; drawing materials and materials for artists; paintbrushes; instructional and teaching materials; plastic sheets, films and bags for wrapping and packaging; printers' type, printing blocks.), 35(Advertising; business management; business administration; office functions) and 42(Scientific and technological services and research and design relating thereto; industrial analysis, industrial research and industrial design services; quality control and authentication services; design and development of computer hardware and software.) **(526)**: None

(730): KENYA ACCREDITATION SERVICES of P. O. Box 47400 - 00100, No. 06 Masaba Road, Upper Hill, Nairobi, Kenya **(740)**: Wangechi Wahome Advocates of P. O. Box 22994 - 00505, Nairobi, Kenya

(210): 131051 **(220)**: 20/11/2023

(300): NonE **(511)**: 16(Paper and cardboard; printed matter; bookbinding material; photographs; stationery and office requisites, except furniture; adhesives for stationery or household purposes; drawing materials and materials for artists; paintbrushes; instructional and teaching materials; plastic sheets, films and bags for wrapping and packaging; printers' type, printing blocks.), 35(Advertising; business management; business administration; office functions) and 42(Scientific and technological services and research and design relating thereto; industrial analysis, industrial research and industrial design services; quality control and authentication services; design and development of computer hardware and software.) **(526)**: None

(730): KENYA ACCREDITATION SERVICES of P. O. Box 47400 - 00100, No. 06 Masaba Road, Upper Hill, Nairobi, Kenya **(740)**: Wangechi Wahome Advocates of P. O. Box 22994 - 00505, Nairobi, Kenya

(210): 131054 **(220)**: 20/11/2023

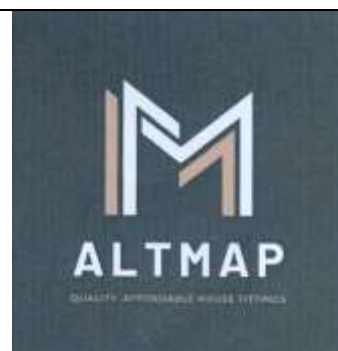
(300): None **(511)**: 6(Common metals and their alloys; metal building materials; transportable buildings of metal; materials of metal for railway tracks; non-electric cables and wires of common metal; ironmongery, small items of metal hardware; pipes and tubes of metal; safes; goods of common metal not included in other classes; ores) **(526)**: Registration of this mark shall give no right to the exclusive use of the words 'Quality', 'Affordable', 'House' and 'Fittings' and letter 'M' each separately and apart from the mark as a whole. **(730)**: MMAS INTERNATIONAL LTD of P. O. Box 73819 - 00200, Nairobi, Kenya **(740)**: None

(210): 131055 **(220)**: 20/11/2023

(300): None **(511)**: 9(Solar batteries, solar inverters, solar panels, solar charge controllers) **(526)**: None **(730)**: RIDATA KENYA LIMITED of P.O. Box 13187 - 00400, Nairobi, Kenya **(740)**: None



KENAS



Prostar

(210): 131056 (220): 21/11/2023
(300): None (511): 25(Clothing, Footwear, headgear.) (526): 'Fei Di' is greek word meaning 'Blessings' in English. (730): FEIDI EAST AFRICA TRADING COMPANY LTD of P.O. Box 47662 -00100, Nairobi, Kenya (740): Rajab & Mbogo Advocates of P. O. Box 26998 - 00100, Nairobi, Kenya



(210): 131058 (220): 21/11/2023
(300): None (511): 41(Gaming) (526): Registration of this mark shall give no right to the exclusive use of the word 'Box' and the device of Boxes each separately and apart from the mark as a whole. (730): CHARLES LUCHE SIJENYI of P. O. Box 5242 - 00200, Nairobi, Kenya (740): None



SENMIL 720WP

(210): 131059 (220): 21/11/2023
(300): None (511): 5(Fungicide) (526): Registration of this mark shall give no right to the exclusive use of the letters 'W', 'P', the numerals '7', '2' & '0' each separately and apart from the mark as a whole. (730): SENWELL CROPSCIENCE LIMITED of P. O. Box 59391 -00200, Nairobi, Kenya (740): None

SENAMIN 720SL

(210): 131060 (220): 21/11/2023
(300): None (511): 5(Herbicide) (526): Registration of this mark shall give no right to the exclusive use of the letters 'S', 'L', the numerals '7', '2' and '0' each separately and apart from the mark as a whole. (730): SENWELL CROPSCIENCE LIMITED of P. O. Box 59391 -00200, Nairobi, Kenya (740): None

SENSPOT 325SC

(210): 131061 (220): 21/11/2023
(300): None (511): 5(Fungicide) (526): Registration of this mark shall give no right to the exclusive use of the letters 'S', 'C' and numerals '3', '2' and '5' each separately and apart from the mark as a whole. (730): SENWELL CROPSCIENCE LIMITED of P. O. Box 59391 -00200, Nairobi, Kenya (740): None

(210): 131071 (220): 21/11/2023
(300): None (511): 35(Advertising; business management; business administration; office functions) (526): Registration of this mark shall give no right to the exclusive use of the words 'Drive',' Motors', 'Dial', 'Phone', 'Bike', 'Tuk', 'Car', the devices of 'Assorted motor vehicles', the numerals '8', '7', '0' and the '#' symbol each separately and apart from the mark as a whole. 'Maridady' is a coined word. 'Ji drive na' means "Drive your self with' The mark is a get-up forming part of the mark (730): MARIDADY MOTORS LIMITED of P. O. Box 1893 - 00621, Nairobi, Kenya (740): None



(210): 131072 (220): 21/11/2023
(300): None (511): 35(Advertising; business management; business administration; office functions.) (526): Registration of this mark shall give no right to the exclusive use of the words 'Inuka" Motors',' Dial, 'Phone', 'Bike', 'Tuk', 'Car', the devices of 'Assorted motor vehicles', the numerals '8', '7', '0' and the '#' symbol each separately and apart from the mark as a whole. The translation into English of the Kiswahili word 'Inuka' is 'Rise Up'. The mark is a get up forming part of the mark (730): MARIDADY MOTORS LIMITED of P. O. Box 1893 - 00621, Nairobi, Kenya (740): None



(210): 131073 (220): 21/11/2023

(300): None (511): 5(Pharmaceutical and veterinary preparations; sanitary preparations for medical purposes; dietetic substances adapted for medical use, food for babies; plasters, materials for dressings; material for stopping teeth, dental wax; disinfectants; sanitizers) (526): None (730): ALKEM LABORATORIES LTD, a limited liability company duly incorporated under the laws of Kenya of P.O. Box 14638 - 00800, Nairobi, Kenya (740): None

STOMAKIT

(210): 131074 (220): 21/11/2023

(300): None (511): 5(Pharmaceutical and veterinary preparations; sanitary preparations for medical purposes; dietetic substances adapted for medical use, food for babies; plasters, materials for dressings; material for stopping teeth, dental wax; disinfectants; sanitizers) (526): None (730): ALKEM LABORATORIES LTD, a limited liability company duly incorporated under the laws of Kenya of P. O. Box 14638 - 00800, Nairobi, Kenya (740): None

URSOLIC

(210): 131075 (220): 21/11/2023

(300): None (511): 5(Pharmaceutical and veterinary preparations; sanitary preparations for medical purposes; dietetic substances adapted for medical use, food for babies; plasters, materials for dressings; material for stopping teeth, dental wax; disinfectants; sanitizers) (526): None (730): ALKEM LABORATORIES LTD, a limited liability company duly incorporated under the laws of Kenya of P. O. Box 14638 - 00800, Nairobi, Kenya (740): None

MIRACTIVE

(210): 131076 (220): 21/11/2023

(300): None (511): 5(Pharmaceutical and veterinary preparations; sanitary preparations for medical purposes; dietetic substances adapted for medical use, food for babies; plasters, materials for dressings; material for stopping teeth, dental wax; disinfectants; sanitizers) (526): None (730): ALKEM LABORATORIES LTD, a limited liability company duly incorporated under the laws of Kenya of P. O. Box 14638 - 00800, Nairobi, Kenya (740): None

SILDOSIN

(210): 131077 (220): 21/11/2023

(300): None (511): 5(Pharmaceutical and veterinary preparations; sanitary preparations for medical purposes; dietetic substances adapted for medical use, food for babies; plasters, materials for dressings; material for stopping teeth, dental wax; disinfectants; sanitizers) (526): None (730): ALKEM LABORATORIES LTD, a limited liability company duly incorporated under the laws of Kenya of P. O. Box 14638 - 00800, Nairobi, Kenya (740): None

BELIEVE

(210): 131078 (220): 21/11/2023

(300): None (511): 5(Pharmaceutical and veterinary preparations; sanitary preparations for medical purposes; dietetic substances adapted for medical use, food for babies; plasters, materials for dressings; material for stopping teeth, dental wax; disinfectants; sanitizers) (526): None (730): ALKEM LABORATORIES LTD, a limited liability company duly incorporated under the laws of Kenya of P. O. Box 14638 - 00800, Nairobi, Kenya (740): None

EASE OFF

(210): 131079 **(220):** 21/11/2023**(300):** None **(511):** 5(Pharmaceutical and veterinary preparations; sanitary preparations for medical purposes; dietetic substances adapted for medical use, food for babies; plasters, materials for dressings; material for stopping teeth, dental wax; disinfectants; sanitizers) **(526):** None **(730):** ALKEM LABORATORIES LTD, a limited liability company duly incorporated under the laws of Kenya of P. O. Box 14638 - 00800, Nairobi, Kenya **(740):** None**MESAWEL****(210):** 131089 **(220):** 22/11/2023**(300):** None **(511):** 9(Podcasts) **(526):** Registration of this mark shall give no right to the exclusive use of the word 'Live' separately and apart from the mark as a whole. The translation into English of the Kiswahili word 'Wazo' is 'Thoughts' **(730):** DAN ACEDA of P. O. Box 38049 -00100, Nairobi, Kenya **(740):** None**WAZO LIVE****(210):** 131094 **(220):** 22/11/2023**(300):** None **(511):** 35(Advertising services, marketing, publicity services, public relations services, promotional services, market research services, arranging and conducting trade shows and exhibitions; advisory and consultancy services relating to all the aforesaid services; including the provision of all the aforesaid services on-line) **(526):** "KEJA" is a Kenyan slang word, which means 'house'. **(730):** ESEN BRANDS LTD, a limited liability company duly incorporated under the laws of Kenya of P. O. Box 60 - 01020, Kenol, Nairobi, Kenya **(740):** None**KEJA****(210):** 131095 **(220):** 23/11/2023**(300):** None **(511):** 25(Clothing, Footwear, Headwear) **(526):** Registration of this mark shall give no right to the exclusive use of the word 'Designs' separately and apart from the mark as a whole. Glyuka is a coined word with no meaning in English. **(730):** GRACE WANJA NGARI of P.O. Box 887 - 00606, Sarit Centre, Nairobi, Kenya **(740):** None**GLYUKA DESIGNS****(210):** 131101 **(220):** 23/11/2023**(300):** None **(511):** 19(Building materials (non-metallic); non-metallic rigid pipes for building; asphalt, pitch and bitumen, non-metallic transportable buildings, monuments, not of metal.) **(526):** None **(730):** SINOMA ROOFING SYSTEM KENYA COMPANY LIMITED of P. O. Box 26604 - 001200, Nairobi, Kenya **(740):** None**LuKenya****(210):** 131102 **(220):** 23/11/2023**(300):** None **(511):** 19(Building materials (non-metallic); non-metallic rigid pipes for building; asphalt, pitch and bitumen, non-metallic transportable buildings, monuments, not of metal.) **(526):** None **(730):** SINOMA ROOFING SYSTEM KENYA COMPANY LIMITED of P. O. Box 26604 - 001200, Nairobi, Kenya **(740):** None**Leopard****(210):** 131103 **(220):** 23/11/2023**(300):** None **(511):** 19(Building materials (non-metallic); non-metallic rigid pipes for building; asphalt, pitch and bitumen, non-metallic transportable buildings, monuments, not of metal.) **(526):** Registration of this mark shall give no right to the exclusive use of the word 'ROOF' each separately and apart from the mark as a whole. **(730):** SINOMA ROOFING SYSTEM KENYA COMPANY LIMITED of P. O. Box 26604 - 001200, Nairobi, Kenya **(740):** None**Uni-Roof**

(210): 131110 **(220):** 23/11/2023

(300): None **(511):** 16(Paper and cardboard; printed matter; bookbinding material; photographs; stationery and office requisites, except furniture; adhesives for stationery or household purposes; drawing materials and materials for artists; paintbrushes; instructional and teaching materials; plastic sheets, films and bags for wrapping and packaging; printers' type, printing blocks.), 35(Advertising; business management; business administration; office functions) and 38(Telecommunications services.) **(526):** Registration of this mark shall give no right to the exclusive use of the word 'TAB' and the numerals '1' and '0' each separately and apart from the mark as a whole. **(730):** JAMII TELECOMMUNICATIONS LIMITED of P. O. Box 47419 - 00100, Nairobi, Kenya **(740):** None

FAIBA TAB 10**(210):** 131111 **(220):** 23/11/2023

(300): None **(511):** 16(Paper and cardboard; printed matter; bookbinding material; photographs; stationery and office requisites, except furniture; adhesives for stationery or household purposes; drawing materials and materials for artists; paintbrushes; instructional and teaching materials; plastic sheets, films and bags for wrapping and packaging; printers' type, printing blocks.), 35(Advertising; business management; business administration; office functions) and 38(Telecommunications services.) **(526):** Registration of this mark shall give no right to the exclusive use of the word 'TAB' and the numeral '1' and the letter 'M' each separately and apart from the mark as a whole. **(730):** JAMII TELECOMMUNICATIONS LIMITED of P. O. Box 47419 - 00100, Nairobi, Kenya **(740):** None

FAIBA M1**(210):** 131112 **(220):** 23/11/2023

(300): None **(511):** 16(Paper and cardboard; printed matter; bookbinding material; photographs; stationery and office requisites, except furniture; adhesives for stationery or household purposes; drawing materials and materials for artists; paintbrushes; instructional and teaching materials; plastic sheets, films and bags for wrapping and packaging; printers' type, printing blocks.), 35(Advertising; business management; business administration; office functions) and 38(Telecommunications services.) **(526):** Registration of this mark shall give no right to the exclusive use of the words 'LIPA' and 'KIDOGO' each separately and apart from the mark as a whole. 'LIPA' is the Swahili word for PAY and 'KIDOGO' is the Swahili translation of the phrase 'LITTLE BY LITTLE'. 'Faiba' is a coined word. The Mark shall proceed in Series. **(730):** JAMII TELECOMMUNICATIONS LIMITED of P. O. Box 47419 - 00100, Nairobi, Kenya **(740):** None

FAIBA LIPA KIBOGO**FAIBA LIPA** KIDOGO**(210):** 131113 **(220):** 23/11/2023

(300): None **(511):** 5(Pharmaceuticals and medicinal preparations), 10(Surgical and medical apparatus and instruments) and 44(Medical laboratory services; and medical equipment rental) **(526):** Registration of this mark shall give no right to the exclusive use of the words 'BIOTECHNOLOGIES', 'LIMITED' and the device of 'MICROSCOPE' each separately and apart from the mark as a whole. **(730):** EXCELLA BIOTECHNOLOGIES LIMITED of P. O. Box 1259 - 00100, Nairobi, Kenya **(740):** None



excella
biotechnologies
limited

(210): 131118 **(220):** 23/11/2023
(300): None **(511):** 35(Advertising; business management; business administration; office functions), 38(Telecommunications) and 41(Education; entertainment; gambling services; providing of training; sporting and cultural activities) **(526):** 'REMBESHA MAISHA' are Kiswahili words meaning 'BEAUTIFY LIFE' in English. **(730):** MJENGO KAZI ENTERPRISES LIMITED of P.O. Box 15818 - 00100, Nairobi, Kenya **(740):** Njenga Njihia Advocates of P. O. Box 79281 - 00200, Nairobi, Kenya

REMBESHA MAISHA

(210): 131132 **(220):** 24/11/2023
(300): None **(511):** 45(Security Services) **(526):** Registration of this mark shall give no right to the exclusive use of the words 'SMART', 'SUPERIOR', 'SECURITY', 'INNOVATIVE', 'SOLUTIONS' the letter 'S' and numeral '3' each separately and apart from the mark as a whole. **(730):** SUPERIOR SMART SECURITY COMPANY LIMITED of P. O. Box 112 - 00610, Eastleigh, Nairobi, Kenya **(740):** None

*Innovative Security Solutions*

(210): 131136 **(220):** 24/11/2023
(300): None **(511):** 36(Insurance; financial affairs; monetary affairs; real estates affair) **(526):** Registration of this mark shall give no right to the exclusive use of the words 'TREASURE', 'ACCOUNT' and the devices of a 'CHEST BOX' and a 'HUMAN HEAD' each separately and apart from the mark as a whole. **(730):** HFC LIMITED of P. O. Box 30088 - 00100, Nairobi, Kenya **(740):** None

**HFC FANAKA ACCOUNT**

(210): 131137 **(220):** 24/11/2023
(300): None **(511):** 36(Insurance; financial affairs; monetary affairs; real estates affair) **(526):** Registration of this mark shall give no right to the exclusive use of the words 'FANAKA', 'ACCOUNT' and the letters 'C', 'F', 'H' each separately and apart from the mark as a whole. The English translation of 'HFC FANAKA ACCOUNT' being the Swahili word forming part of the mark is HFC PROSPERITY ACCOUNT **(730):** HFC LIMITED of P. O. Box 30088 - 00100, Nairobi, Kenya **(740):** None

(210): 131142 **(220):** 24/11/2023
(300): None **(511):** 32(Drinking Water) **(526):** Registration of this mark shall give no right to the exclusive use of the words 'DRINKING', 'WATER', 'LIFE' and the device of 'WATER DROP' each separately and apart from the mark as a whole. 'WAJII' is a coined word with no English meaning **(730):** WAJI LIMITED of P. O. Box 48478 -00100, Nairobi, Kenya **(740):** None



(210): 131148 **(220):** 27/11/2023
(300): None **(511):** 5(Insecticide) **(526):** Registration of this mark shall give no right to the exclusive use of the numerals '5', '0' and the letters 'W' and 'G' each separately and apart from the mark as a whole. **(730):** UNITED CROP SCIENCE CO. LTD of P. O. Box 37351 - 00100, Nairobi, Kenya **(740):** None

CAMILA 50 WG

(210): 131149 **(220):** 27/11/2023
(300): None **(511):** 5(Insecticide/Miticide) **(526):** Registration of this mark shall give no right to the exclusive use of the numerals '1', '0' and '5' and the Letters 'G' and 'R' each separately and apart from the mark as a whole. **(730):** UNITED CROP SCIENCE CO. LTD of P. O. Box 37351 - 00100, Nairobi, Kenya **(740):** None

FOSMECT 105 GR

(210): 131150 (220): 27/11/2023

(300): None (511): 5(Herbicide) (526): Registration of this mark shall give no right to the exclusive use of the numerals '3', '0' and the letters 'S' and 'C' each separately and apart from the mark as a whole. (730): UNITED CROP SCIENCE CO. LTD of P. O. Box 37351 - 00100, Nairobi, Kenya (740): None

TOPRAZOR 300 SC

(210): 131151 (220): 27/11/2023

(300): None (511): 30(Tea & Coffee) (526): Registration of this mark shall give no right to the exclusive use of the word 'Tea' and the devices of 'tea plant' and 'Vegetation' each separately and apart from the mark as a whole. (730): SPACE CAFE FOOD PRODUCTS LTD of P. O. Box 71108 - 00610, Nairobi, Kenya (740): None



(210): 131153 (220): 27/11/2023

(300): None (511): 30(Flour and preparations made from cereals) (526): Registration of this mark shall give no right to the exclusive use of the device of the 'Maize Cobs' each separately and apart from the mark as a whole. The word "TAMAM" is an Arabic word which in English means "okay". (730): TAMAM FLOUR MILLS LIMITED of P. O. Box 211, Wuyi Road, Kongoni Complex I, Athi River, Kenya (740): Gakahu & Rosana Advocates of P. O. Box 51135 - 00100, Nairobi, Kenya



(210): 131154 (220): 27/11/2023

(300): None (511): 19(Building materials (non-metallic); non-metallic rigid pipes for building; asphalt, pitch and bitumen; non-metallic transportable buildings; monuments, not of metal.) (526): None (730): SINOMA ROOFING SYSTEM KENYA COMPANY LIMITED of P. O. Box 26604 - 001200, Nairobi, Kenya (740): None

LUXES

(210): 131158 (220): 27/11/2023

(300): None (511): 36(Real Estate Affairs, Financial Affairs, monetary Affairs, and Insurance Affairs.) (526): Registration of this mark shall give no right to the exclusive use of the words 'White' and 'House' each separately and apart from the mark as a whole. (730): GIMWE AFRICA PARTNERS LLP of P. O. Box 974 - 00606, Nairobi, Kenya (740): None

WHITEHOUSE AT MWANZI

(210): 131159 (220): 27/11/2023

(300): None (511): 30(Chocolate; Ice cream, Pure Honey) (526): Registration of this mark shall give no right to the exclusive use of the word 'GOLD' and Letter 'W' per se each separately and apart from the mark as a whole. (730): EUNICE MUMO of P. O. Box 40 - 90100, Machakos, Kenya (740): None

Wildgold

(210): 131165 (220): 27/11/2023

(300): None (511): 41(Education, sparks, cultural activities) (526): None (730): AMANI PROJECT LIMITED of P. O. Box 47845 - 00100, Nairobi, Kenya (740): None

BLACK MAMBA

(210): 131185 (220): 27/11/2023

(300): None (511): 41(organization of competitions [education or entertainment], rental of artwork, arranging of beauty contests, coaching [training], cultural, educational or entertainment services provided by art galleries, organization of exhibitions for cultural or educational purposes, organization of fashion shows for entertainment purposes, online publication of electronic books and journals, vocational guidance [education or training advice] and 45(clothing rental, evening dress rental, personal wardrobe styling consultancy, planning and arranging of wedding ceremonies) (526): "NTHENYA" is a Kamba word meaning "born during the day or in daylight". (730): NTHENYA CONSULTANCY of P. O. Box 1259 - 00100, Nairobi, Kenya (740): None

Nthenya

(210): 131202 **(220):** 29/11/2023

(300): None **(511):** 9(Scientific, research, navigation, surveying, photographic, cinematographic, audiovisual, optical, weighing, measuring, signalling, detecting, testing, inspecting, life-saving and teaching apparatus and instruments; apparatus and instruments for conducting, switching, transforming, accumulating, regulating or controlling the distribution or use of electricity; apparatus and instruments for recording, transmitting, reproducing or processing sound, images or data; recorded and downloadable media, computer software, blank digital or analogue recording and storage media; mechanisms for coin-operated apparatus; cash registers, calculating devices; computers and computer peripheral devices; diving suits, divers' masks, ear plugs for divers, nose clips for divers and swimmers, gloves for divers, breathing apparatus for underwater swimming; fire- extinguishing apparatus), 16(Paper and cardboard; printed matter; bookbinding material; photographs; stationery and office requisites, except furniture; adhesives for stationery or household purposes; drawing materials and materials for artists; paintbrushes; instructional and teaching materials; plastic sheets, films and bags for wrapping and packaging; printers' type, printing blocks.), 35(Advertising; business management, organization and administration; office functions.), 36(Financial, monetary and banking services; insurance services; real estate services.), 38(Telecommunications services), 41(Education; providing of training; entertainment; sporting and cultural activities) and 42(Scientific and technological services and research and design relating thereto; industrial analysis, industrial research and industrial design services; quality control and authentication services; design and development of computer hardware and software.) **(526):** None **(730):** EQUITY GROUP HOLDINGS PLC of P. O. Box 200 - 00606, 9th Floor, Equity Centre; Hospital Road, Upper Hill, Nairobi, Kenya **(740):** Anjarwalla & Khanna Advocates of P. O. Box 200 - 00606, Nairobi, Kenya

**(210):** 131206 **(220):** 29/11/2023

(300): None **(511):** 16(Serviettes) **(526):** Registration of this mark shall give no right to the exclusive use of the words 'Soft', 'Strong', 'Serviettes', 'Pure', 'Blended' the numerals '0' and '1' each separately and apart from the mark as a whole. **(730):** GABRIEL AMBROSE CHACHA of P. O. Box 697 - 00200, Nairobi, Kenya **(740):** None

**(210):** 131225 **(220):** 30/11/2023

(300): None **(511):** 30(Flavored teas) **(526):** Registration of this mark shall give no right to the exclusive use of the words 'TEA', 'FACTORY', 'CHAI', 'PREMIUM', the letter 'T' and the devices of the 'TEA LEAVES' and a 'CUP' each separately and apart from the mark as a whole. The word 'CHAI' means 'TEA' in English. The word 'MUNGANIA' is a native EMBIAN name meaning 'COLLECTOR' **(730):** MUNGANIA TEA FACTORY COMPANY LIMITED of P. O. Box 927 - 60100, Embu, Kenya **(740):** None



(210): 131240 **(220):** 30/11/2023
(300): None **(511):** 32(Mineral Water) **(526):** Registration of this mark shall give no right to the exclusive use of the words 'AQUA', 'FUN', 'PURIFIED', 'DRINKING', 'WATER' and device of 'WATER DROP' each separately and apart from the mark as a whole. **(730):** AL-MASSOUD WATERS LTD of P. O. Box 55 - 50200, Bungoma, Kenya **(740):** None



(210): 131292 **(220):** 05/12/2023
(300): None **(511):** 3(Car scents, perfumes) and 12(Car spare parts) **(526):** Registration of this mark shall give no right to the exclusive use of the words 'Khalif' and 'Kairo' each separately and apart from the mark as a whole. **(730):** KHALIF KAIRO INTERNATIONAL of P. O. Box 28998 - 00200, Nairobi, Kenya **(740):** None



(210): 131297 **(220):** 05/12/2023
(300): None **(511):** 41(Gaming Services) **(526):** Registration of this mark shall give no right to the exclusive use of the letters "L", "M" words 'LOTTO ' and "MOTTO" each separately and apart from the mark as a whole. 'MOTO' is a Swahili word meaning 'FIRE' in English **(730):** CHARLES LUCHE SIJENYI of P. O. Box 6431 - 00100, Nairobi, Kenya **(740):** None



(210): 131298 **(220):** 05/12/2023
(300): None **(511):** 41(Gaming Services) **(526):** Registration of this mark shall give no right to the exclusive use of the letters 'T', 'U' and words 'TUSHINDE' and 'BET' each separately and apart from the mark as a whole. The English translation of 'TUSHINDE' a Swahili word is 'WE WIN' **(730):** CHARLES LUCHE SIJENYI of P. O. Box 6431 - 00100, Nairobi, Kenya **(740):** None



(210): 131329 **(220):** 07/12/2023
(300): None **(511):** 35(Advertising; business management; business administration; office functions), 38(Telecommunications) and 41(Education; entertainment; gambling services; providing of training; sporting and cultural activities) **(526):** 'Danadana' is a swahili word meaning 'Dribble' in English. **(730):** TEKONSTRUCTION LIMITED of P. O. Box 13412 - 00800, Nairobi, Kenya **(740):** Njenga Njihia Advocate of P. O. Box 79281 - 00200, Nairobi, Kenya

DANADANA

11.2 Licence

(111) Mark number: 1026253
 (540) Mark: NATRIXAM (and logo)
 (511) Class: 5
 (730) Proprietor: BIOFARMA of 50, rue Carnot, 92284 Suresnes Cedex, France
 (791) Licensee: LES LABORATOIRES SERVIER of 50 rue Carnot 92284 SURESNES CEDEX FRANCE
 (740) Address for correspondence: Chebet & Co. Advocates; P.O. Box 3563-00506 Nairobi, Kenya

11.3 Corrigenda

(111) Mark number: 109654
 (540) Trade Mark:



(511) Classes: 1, 4, 12 and 40
 (442) Date of advertisement: 31st October, 2023
 (580) Corrections

The amended goods should correctly appear as below:

1 (Automatic transmission fluids (ATF); hydraulic brake fluid; clutch fluid; hydraulic oils for brakes circuits; engine coolant; oil for hydraulic suspension), 4 (Industrial oils and greases, wax; lubricants; dust absorbing, wetting and binding compositions; fuels; motor fuels; fuel gas; diesel fuel; combustible oil; gear oils; lubricating fluids; illuminants; candles and wicks for lighting), 12 (Motorcycle accessories, motorcycle spare parts and tyre sealants) and 40 (Manufacture of motorcycle accessories and spare parts being side mirrors, side covers, head and tail lamps, indicators and tyre sealants)

.....
 (111) Mark number: 122808
 (540) Trade Mark: **CATL**
 (511) Class: 9
 (442) Date of advertisement: 31st October, 2023

(581) Corrections

Goods should appear as below:

9 (Accumulators, electric; battery boxes; accumulators, electric, for vehicles; photovoltaic cells; solar batteries; batteries, electric; battery boxes; batteries, electric, for vehicles; anode batteries; portable power supplies; battery chargers; integrated circuits; printed circuits; plates for batteries; anodes; cathodes; capacitors; battery jars; galvanic cells; cell switches [electricity]; all the aforesaid not for or related to vehicles, equipment, and machines used for construction and mining)

.....
 (111) Mark number: 124374
 (540) Trade Mark:



(511) Class: 21
 (442) Date of advertisement: 28th February, 2023
 (582) Corrections

The following disclaimer should have been included:

Registration of this mark shall give no right to the exclusive use of the devices of 'Toothbrush' and 'Toothpaste' each separately and apart from the mark as a whole.

.....
 (111) Mark number: 124375
 (540) Trade Mark:



(511) Class: 21
 (442) Date of advertisement: 31st December, 2023
 (583) Corrections

The following disclaimer should have been included:

Registration of this mark shall give no right to the exclusive use of the devices of 'Toothbrush' and 'Toothpaste' each separately and apart from the mark as a whole.

(111) Mark number: 125136
 (540) Trade Mark:



(511) Class: 21
 (442) Date of advertisement: 31st March, 2023

(584) Corrections

Registration of this mark shall give no right to the exclusive use of the devices of 'Toothbrush' and 'Toothpaste' each separately and apart from the mark as a whole.

(111) Mark number: 125137
 (540) Trade Mark:



(511) Class: 21
 (442) Date of advertisement: 31st March, 2023

(585) Corrections

Registration of this mark shall give no right to the exclusive use of the devices of 'Toothbrush' and 'Toothpaste' each separately and apart from the mark as a whole.

(111) Mark number: 126801
 (540) Trade Mark:



(511) Classes: 16, 35 and 41
 (442) Date of advertisement: 31st July, 2023

(586) Corrections

Classification of goods, class 16 should correctly appear as below:

16 (Paper, cardboard and goods made from these materials, not included in other classes; printed matter; bookbinding material; photographs; stationery; adhesives for stationery or household purposes; artists' materials; paint brushes; typewriters and office requisites (except furniture); instructional and teaching material (except apparatus); plastic materials for packaging (not included in other classes); printers' type; printing blocks)

11.4 Alteration

(111) Mark number: **65260**
(730) Proprietor: **NYATI ANIMAL FEEDS (KENYA) LTD** of P. O. Box 488 - 00232, Ruiru, Kenya
(511) Class: **31**
(750) Address for service:
(580) The mark is amended so that henceforth it appears as shown here under:

Registration of this mark shall give no right to the exclusive use of the letters 'N', 'F' and the device of 'wheat' each separately and apart from the mark as a whole.



(111) Mark number: **88987**
(730) Proprietor: **KIP MELAMINE CO. LTD** of P. O. Box 44794 - 00100, Nairobi, Kenya
(511) Class: **21**
(750) Address for service:
(580) The mark is amended so that henceforth it appears as shown here under:



(111) Mark number: **113515**
(730) Proprietor: **APOLLO AGRICULTURE LIMITED** of P. O. Box 13625 - 00800, Nairobi, Kenya
(511) Class: **21**
(750) Address for service:
(580) The mark is amended so that henceforth it appears as shown here:

Registration of this mark shall give no right to the exclusive use of the word 'Agriculture' separately and apart from the mark as a whole.



(111) Mark number: **124934**
(730) Proprietor: **BAHATI HOME FOOD STUFF LIMITED** of P. O. BOX 77938 - 00610, Nairobi, Kenya
(511) Class: **29, 30, 31, 32 and 39**
(750) Address for service:
(580) The mark is amended so that henceforth it appears as shown here under:

Registration of this mark shall give no right to the exclusive use of the word 'BRAND' separately and apart from the mark as a whole.



.....
(111) Mark number: 125669

(730) Proprietor: LION BREWERY (CEYLON) PLC of No. 61, Janadhipathi Mawatha, Colombo 01, Sri Lanka

(511) Class: 32

(750) Address for service: Triple A Advocates of P. O. Box 38717 - 00100, Nairobi, Kenya

(580) The mark is amended so that henceforth it appears as shown here under:

Registration of this mark shall give no right to the exclusive use of the words 'LION', 'PREMIUM' and 'LARGER' each separately and apart from the mark as a whole.



.....
11.5 Madrid Applications accepted for registration

The following are the marks whose international registration has been notified to Kenya as a designated contracting Party by the International Bureau, World Intellectual Property Organization (WIPO) and which are governed by the Madrid Agreement and the Madrid Protocol. The prescribed period of twelve (12) months and eighteen months (18) respectively for refusal of the marks commences from the notification date indicated herein for each mark.

NOTICE is given that any person who has grounds of opposition to the registration of any of the marks may, in accordance with the provisions of rule 11(1) of the Trade Marks (International Registration) Rules 2003, file a notice of opposition within sixty (60) days from the date of this Journal on form TM. No. 6 (in duplicate) together with a fee of Ksh 5,000/= (Kenyan residents) or US\$ 250 (non residents).

The period of filing the notice of opposition may be extended by the Registrar of Trade Marks as prescribed in the Trade Mark Rules. Any request for such extension should be made to the Registrar before the expiry of the sixty (60) day statutory period.

All the details of the marks advertised herein are available on WIPO's website www.wipo.int/romarin

(210): 211291 (151): 08/08/2023

(511): 14

(732): Roamer Watch Co. S.A. of Gibelinstrasse 27 CH-4503
Soleure, Switzerland

ROAMER

(210): 400415 (151): 24/05/2023

(511): 7

(732): Braun GmbH of Frankfurter Strasse 145 61476 Kronberg,
Germany

BRAUN

(210): 563469 (151): 24/05/2023

(511): 3

(732): Braun GmbH of Frankfurter Strasse 145 61476 Kronberg,
Germany

BRAUN

(210): 983485 (151): 30/08/2023

(511): 1

(732): Roche Diagnostics GmbH of Sandhofer Str. 116 68305
Mannheim, Germany

APTATAQ

(210): 1032875 (151): 30/06/2023

(511): 5

(732): NIPPON CHEMIPHAR CO., LTD. of 2-3, Iwamoto-cho 2-
chome, Chiyoda-ku Tokyo 101-0032, Japan



(210): 1162454 (151): 09/05/2023

(511): 3

(732): BARON PHILIPPE DE ROTHSCHILD S.A. of Rue de Grassi F-
33250 PAUILLAC, France



(210): 1176485 (151): 29/05/2023

(511): 1

(732): UNICOL S.R.L. of Via del Commercio, 2 I-31043
FONTANELLE (TV), Italy



(210): 1251789 (151): 28/05/2023

(511): 5

(732): Stockton (Israel) Ltd. of 17 Hamefalsim St., Petach Tikva,
Israel

TIMOREX GOLD

(210): 1292580 (151): 28/05/2023

(511): 5

(732): Stockton (Israel) Ltd. of 17 Hamefalsim Street Petach
Tikva, Israel



(210): 1409979 (151): 07/09/2023

(511): 5

(732): LABORATOIRES GRIMBERG of 44 Avenue Georges Pompidou
F-92300 LEVALLOIS-PERRET, France

CARBOSULANE

(210): 1430083 (151): 09/05/2023

(511): 3

(732): PROCARE HEALTH IBERIA, S. L. of Passeig del Ferrocarril,
339, 2º 3ª E-08860 Castelldefels, Spain



(210): 1470871 (151): 04/09/2023

(511): 6

(732): EJOT SE & Co. KG of Astenbergstr. 21 57319 Bad Berleburg,
Germany

EVO PT

(210): 1537603 (151): 15/09/2023
 (511): 9
 (732): Robinson Club GmbH of Karl-Wiechert-Allee 4 30625
 Hannover, Germany



(210): 1601086 (151): 11/04/2023
 (511): 18
 (732): BEBETTO TEKSTIL ANONIM SIRKETI of Duaçınari Mahallesi,
 4. Kirlanç Sokak No:2/1 Yildirim-Bursa, Turkey



(210): 1650292 (151): 24/05/2023
 (511): 9 (732): Prokon Software Limited of 28-32 Upper Pembroke
 Street Dublin D2, Ireland

PROKON

(210): 1650490 (151): 24/05/2023
 (511): 9
 (732): Prokon Software Limited of 28-32 Upper Pembroke Street
 Dublin D2, Ireland



(210): 1666205 (151): 09/06/2023
 (511): 1
 (732): NattoPharma AS of Postboks 397 N-1326 LYSAKER, Norway

MenaQ7

(210): 1677884 (151): 24/08/2023
 (511): 3
 (732): Galderma Holding SA of Zählerweg 10 CH-6300 Zug,
 Switzerland

**WE DO SKIN. YOU DO
 YOU.**

(210): 1683309 (151): 25/05/2023
 (511): 5 (732): Bayer Aktiengesellschaft of Kaiser-Wilhelm-Allee
 51373 Leverkusen, Germany

RELOQUAVIST

(210): 1684038 (151): 10/07/2023
 (511): 5 (732): Bayer Aktiengesellschaft of Kaiser-Wilhelm-Allee
 51373 Leverkusen, Germany

XPLEKA

(210): 1698830 (151): 25/05/2023
 (511): 43 (732): BACIO NERO GROUP of VIA FRANCESCO PAOLO
 PEREZ 220 I-90124 PALERMO, Italy



(210): 1713238 (151): 19/01/2023
 (511): 9 (732): Capital One Financial Corporation of 15000 Capital
 One Drive, 12077-0470 / Trademarks Richmond VA 23238, United
 States of America

CAPITAL ONE

(210): 1716796 (151): 04/01/2023
 (511): 9 (732): THE PURE PROJECT of 33 avenue de la République
 F-75011 Paris, France



(210): 1719241 (151): 30/05/2023
 (511): 35 (732): Ottobock SE & Co. KGaA of Max-Näder-Straße 15
 37115 Duderstadt, Germany

ottobock.care

(210): 1720876 (151): 29/06/2023
 (511): 11 (732): EINSTEIN Meditech GmbH of Kastanienstr. 26
 61476 Kronberg, Germany



VOX

(210): 1723040 (151): 27/02/2023
 (511): 3 (732): Swiss Cosmetics Alliance AG of Zugerstrasse 74 CH-
 6340 Baar, Switzerland

(210): 1723907 (151): 07/03/2023
 (511): 29 (732): D'ARTA, naamloze vennootschap of
 Pittemsestraat 58A B-8850 Ardoonie, Belgium



(210): 1724036 (151): 17/01/2023
 (511): 9 (732): Shenzhen Speedmobile Technology Co., Ltd of Room 201, Building P, No. 163 Banxuegang Avenue, Gangtou Community, Bantian Subdistrict, Longgang District, Shenzhen Guangdong, China

MOVE SPEED

(210): 1727516 (151): 29/03/2023
 (511): 9 (732): RCF S.P.A. of Via Raffaello Sanzio, 13 I-42124 Reggio Emilia, Italy



(210): 1727662 (151): 03/04/2023
 (511): 2

Imprintu

(732): LG H&H Co., LTD. of 58, Saemunan-ro, Jongno-gu Seoul, Republic of Korea

(210): 1728617 (151): 30/03/2023
 (511): 3



(732): Beiersdorf AG of Unnastr. 48 20253 Hamburg, Germany

(210): 1728619 (151): 30/03/2023
 (511): 9



(732): AESbill OÜ of Pärnu mnt 139c-14 EE-11317 Tallinn, Estonia

(210): 1729848 (151): 31/03/2023
 (511): 5

ECO-T

(732): Andermatt Group AG of Stahlermatten 6 CH-6146 Grossdietwil, Switzerland

(210): 1729851 (151): 31/03/2023
 (511): 5

Eco-Bb

(732): Andermatt Group AG of Stahlermatten 6 CH-6146 Grossdietwil, Switzerland

(210): 1730232 (151): 26/04/2023
 (511): 5

MELAFIN

(732): ADAMA Registrations B.V. of Arnhemseweg 87 Leusden NL-3832 GK, Netherlands

(210): 1730974 (151): 04/04/2023
 (511): 9

Knox Matrix

(732): Samsung Electronics Co., Ltd. of 129, Samsung-ro, Yeongtong-gu, Suwon-si Gyeonggi-do, Republic of Korea

(210): 1731446 (151): 23/03/2023
 (511): 1



(732): HONDA MOTOR CO., LTD. of 1-1, Minami-Aoyama 2-chome, Minato-ku Tokyo 107-8556, Japan

(210): 1731484 (151): 24/03/2023
 (511): 32



(732): Mariusz Supady of ul. Chabrowa 3 PL-97-300 Piotrków Trybunalski, Poland

(210): 1731766 (151): 31/03/2023
 (511): 25



(732): DIDO KONFEKSIYON TEKSTIL TICARET VE SANAYII LIMITED SIRKETI of YENIBOSNA MERKEZ MAH. CEMAL ULUSOY CAD. 49 BAĞÇELIEVLER ISTANBUL, Turkey

(210): 1733003 (151): 14/04/2023
 (511): 39

VALUTRAX

(732): Anglo American Technical & Sustainability Services Ltd of 17 Charterhouse Street London EC1N 6RA, United Kingdom

(210): 1733583 (151): 02/05/2023

(511): 42

(732): BaaSFlow Inc. of 1752 NW Market Street, #105 Seattle WA 98107, United States of America

BAASFLOW

(210): 1733699 (151): 09/05/2023

(511): 9

(732): Vision Media Global LLC of 251 Little Falls Drive Wilmington DE 19808, United States of America

VISIONOS

(210): 1733736 (151): 09/05/2023

(511): 33

(732): Diageo North America, Inc. of Three World Trade Center, 175 Greenwich Street New York NY 10007, United States of America

WE DO WE

(210): 1733975 (151): 03/07/2023

(511): 37

(732): BYD COMPANY LIMITED of No. 1, Yan'an Road, Kuichong Street, Dapeng New District, Shenzhen Guangdong, China

BYD

(210): 1734435 (151): 01/05/2023

(511): 9

(732): Apple Inc. of One Apple Park Way Cupertino CA 95014, United States of America



(210): 1735295 (151): 29/01/2023

(511): 35

(732): Bechtel Group, Inc. of 12011 Sunset Hills Road Reston VA 12011, United States of America

BECHTEL

(210): 1735480 (151): 13/05/2023

(511): 9

(732): Fedi, Inc. of 2028 East Ben White Boulevard, Suite 240, PMB 2112 Austin TX 78741, United States of America

FEDIMINT

(210): 1735859 (151): 30/04/2023

(511): 29

(732): Cairo Poultry Slaughterhouse Company of Block NO: 1, processing district, 10 of ramadan Sharkia, Egypt



(210): 1735864 (151): 08/02/2023

(511): 9

(732): Zhejiang Liper Lighting Technology CO., LTD of Fifth floor, Building 1, No. 233 Haitang Road, Wenzhou Eco & Tech Development Zone, Wenzhou City Zhejiang, China

liper

(210): 1736650 (151): 24/05/2023

(511): 41

(732): Trinity Western University of 22500 University Drive Langley BC V2Y 1Y1, Canada

**TRINITY WESTERN
UNIVERSITY**

(210): 1736808 (151): 26/05/2023

(511): 18

(732): Cutter & Buck Inc. of 4001 Oakesdale Ave SW Renton WA 98057-4818, United States of America



(210): 1737077 (151): 14/04/2023

(511): 9

(732): SEAT, S.A. of Autovia A-2 km.585 E-08760 Martorell (Barcelona), Spain



(210): 1738424 (151): 05/01/2023
 (511): 9
 (732): AHREFS PTE. LTD. of 16 RAFFLES QUAY, #33-03 HONG
 LEONG BUILDING SINGAPORE 048581, Singapore

YEP

(210): 1739962 (151): 28/02/2023

(511): 1
 (732): fit GmbH of Am Werk 9 02788 Zittau OT Hirschfelde,
 Germany

fit naturals

(210): 1741793 (151): 17/02/2023

(511): 6
 (732): Changlan Electric Technology Co., Ltd. of 223 Tongzipo
 West Road, Lugu Industrial Park, High-tech Development Zone,
 Changsha Hunan Province, China

CHANGLAN 

(210): 1742406 (151): 10/05/2023

(511): 39
 (732): DHR Switzerland SA of c/o FIDEXIS SA, Bd de Pérolles 21
 CH-1700 FRIBOURG, Switzerland



(210): 1742474 (151): 28/02/2023

(511): 1
 (732): HD HYUNDAI CO., LTD. of 75, Yulgok-ro, Jongno-gu Seoul,
 Republic of Korea



(210): 1743146 (151): 16/01/2023

(511): 9
 (732): Euro Games Technology Ltd. of 4, "Maritsa" Str., "Vranya-
 Lozen-Triugulnika" BG-1151 Sofia, Bulgaria

Flaming Bells

(210): 1743630 (151): 22/02/2023

(511): 7
 (732): ZHEJIANG GEELY HOLDING GROUP CO., LTD. of 1760
 JIANGLING ROAD, BINJIANG DISTRICT, HANGZHOU ZHEJIANG,
 China



(210): 1744654 (151): 02/02/2023

(511): 3
 (732): Beijing New Oriental Xuncheng Network Technology Co.,
 Ltd of Room 1801-08, Floor 18, No. 2, Haidian East Third Street
 Haidian District, Beijing, China

EastBuy

(210): 1745008 (151): 27/08/2023

(511): 9
 (732): Berkadia Proprietary Holding LLC of Suite 300, 323
 Norristown Road Ambler PA 19002, United States of America

BERKADIA

(210): 1745102 (151): 07/09/2023

(511): 5
 (732): LABORATOIRES GRIMBERG of 44 Avenue Georges Pompidou
 F-92300 Levallois-Perret, France

ACTISOUFRE

(210): 1745103 (151): 07/09/2023

(511): 5
 (732): LABORATOIRES GRIMBERG of 44 Avenue Georges Pompidou
 F-92300 Levallois-Perret, France

AURICULARUM

(210): 1745576 (151): 22/03/2023

(511): 41
 (732): Bayer Aktiengesellschaft of Kaiser-Wilhelm-Allee 51373
 Leverkusen, Germany

CHECK Collaborate for
 Healthy Kidneys

(210): 1746476 (151): 23/06/2023
(511): 14
(732): ETA SA Manufacture Horlogère Suisse of Schild-Rust-Srasse
17 CH-2540 Grenchen, Switzerland



(210): 1746532 (151): 25/06/2023
(511): 9
(732): Honor Device Co., Ltd. of Suite 3401, Unit A, Building 6,
Shum Yip Sky Park, No. 8089, Hongli West Road, Xiangmihu Street,
Futian District, Shenzhen 518040 Guangdong, China



(210): 1748023 (151): 07/02/2023
(511): 6
(732): Innova Patent GmbH of Konrad-Doppelmayer-Straße 1 A-6922
Wolfurt, Austria

MACOS SONOMA

(210): 1748059 (151): 29/06/2023
(511): 9
(732): Apple Inc. of One Apple Park Way Cupertino CA 95014,
United States of America

**BILL & MELINDA
GATES FOUNDATION**

(210): 1748448 (151): 05/04/2023
(511): 35
(732): Bill & Melinda Gates Foundation of 1432 Elliott Ave W.
Seattle WA 98119-3124, United States of America



(210): 1748489 (151): 27/06/2023
(511): 7
(732): ENKOTEC A/S of Sverigesvej 26 DK-8660 Skanderborg,
Denmark

AFEELA

(210): 1748689 (151): 01/05/2023
(511): 9
(732): Sony Honda Mobility Inc. of 1-7-1 Konan, Minato-ku Tokyo
108-0075, Japan

**THE CHARTERED
INSTITUTE OF
ARBITRATORS**

(210): 1748771 (151): 12/05/2023
(511): 16
(732): The Chartered Institute of Arbitrators of 12 Bloomsbury
Square London WC1A 2LP, United Kingdom

CIArb

(210): 1748773 (151): 12/05/2023
(511): 16
(732): The Chartered Institute of Arbitrators of 12 Bloomsbury
Square London WC1A 2LP, United Kingdom



(210): 1748882 (151): 29/03/2023
(511): 9
(732): EGT DIGITAL LTD. of 6, "Panorama Sofia" Str., Business
Center "Richhill", block A BG-1766 Sofia, Bulgaria



(210): 1748883 (151): 29/03/2023
(511): 9
(732): EGT DIGITAL LTD. of 6, "Panorama Sofia" Str., Business
Center "Richhill", block A BG-1766 Sofia, Bulgaria

(210): 1748900 (151): 14/04/2023

(511): 3

(732): MARLLOR BIOMEDICAL S.R.L. of Via Minzoni 12 I-47842 SAN GIOVANNI MARIGNANO (RN), Italy

ALIDYA

(210): 1748902 (151): 31/05/2023

(511): 5

(732): Welch Foods Inc., A Cooperative of 300 Baker Avenue, Suite 101 Concord MA 01742, United States of America



(210): 1748942 (151): 26/06/2023

(511): 11

(732): ZHEJIANG BOOU SANITARY WARE CO., LTD. of YUANQUZHONG ROAD, FENGJIANG STREET, LUQIAO DISTRICT, TAIZHOU CITY 318050 ZHEJIANG PROVINCE, China

BOOU

(210): 1748955 (151): 07/06/2023

(511): 1

(732): Inner Mongolia ERDOS Resources Co., Ltd. of No. 1 Qingfang Street, Hantai Dongsheng District Ordos City Inner Mongolia, China



(210): 1749004 (151): 07/06/2023

(511): 11

(732): HUBEI KINGSHAN LIGHTING ELECTRIC CO., LTD of 1811-1818, Block B, Aerospace, Business Square, No. 2159, Jiefang Ave, Jiangan District, Hankou 430000 Wuhan, China

KINGSHANKINGSHA
N

(210): 1749031 (151): 21/06/2023

(511): 12

(732): Weichai Lovol Intelligent Agricultural Technology Co., Ltd. of No. 192 Beihai South Road, Fangzi District, Weifang 250101 Shandong Province, China

AUPAX

(210): 1749034 (151): 21/06/2023

(511): 9

(732): Yueqing Panteng Electric Co., Ltd. of Shangchi Village, Liushi Town, Yueqing City, Wenzhou 325604 Zhejiang, China

DVOLT

(210): 1749041 (151): 28/06/2023

(511): 9

(732): Guangdong Heyicai Investment Co., Ltd. of 398-8 Xingyuan Five Road, Yuanzhou Town, Boluo County 516000 Huizhou City, Guangdong Province, China

iLovbee

(210): 1749084 (151): 14/06/2023

(511): 5

(732): Genrui Biotech Inc. of 4-10F, Building 3, Geya Technology Park, Guangming District, Shenzhen 518106 Guangdong, China

Genrui

(210): 1749087 (151): 20/06/2023

(511): 7

(732): YANG ZHOU SAYONA IMPORT EXPORT CO., LTD of No. 1028, The North Yang Zi Jiang Road, Hanjiang District, Yangzhou City (Wutinglong Commercial Plaza) - 1021 225000 Jiangsu Province, China

MIXDOR

(210): 1749094 (151): 28/09/2022

(511): 7

(732): BEIJING JINGDONG 360 DU E-COMMERCE LTD. of Room 222, Floor 2, Building C, No. 18 Kechuang 11 Street, Beijing Economic and Technological Development Zone Beijing, China

JINGDONG

(210): 1749103 (151): 21/02/2023

(511): 3

(732): BERLIN KOZMETIK SANAYI VE TICARET LIMITED SIRKETI of IKITELLI OSB MAH. ISTEKS E1 BLOK SK. ISTEKS SANAYI E1 BLOK 3 BASAKSEHIR ISTANBUL, Turkey


CLIVE & KEIRA
COLLECTION

(210): 1749115 (151): 17/05/2023

(511): 29

(732): Barilla G. e R. Fratelli - Società per Azioni of Via Mantova
166 I-43122 Parma PR, Italy

BARILLA

(210): 1749144 (151): 06/07/2023

(511): 34

(732): Shenzhen Supersense Technology Co., Ltd. of Room 2913,
Building A, Center Famous Block, Haoxiang Road, Shaqi
Community, Xinqiao Street, Baoan District, Shenzhen City 518000
Guangdong Province, China

supersense

(210): 1749175 (151): 29/06/2023

(511): 12

(732): Zhongyi Rubber CO.,LTD of East of Xinggong Road, South of
Beiwaihuan Road, Dawang Town, Guangrao County Dongying City,
Shandong Province, China

ARDUZZA

(210): 1749320 (151): 02/06/2023

(511): 9

(732): Kronenbourg SAS of Boulevard de l'Europe F-67210 Obernai,
France



(210): 1749401 (151): 29/06/2023

(511): 3

(732): YIWU CHENFEI COSMETICS Co., LTD of No. 98 Xiangyi Road,
Yiting Town, Yiwu City 322000 Zhejiang Province, China

DoDo Girl

(210): 1749403 (151): 04/07/2023

(511): 11

(732): Guangdong Biaosheng Solar Energy Technology Co., Ltd. of
2/F, Building 3, No. 46 Keyuan West Road, Jianghai District,
Jiangmen Guangdong, China

bspro

(210): 1749404 (151): 21/06/2023

(511): 12

(732): Joy Kie Corporation Limited of 16F, Guangxin Building, No.
36, 38, 46, 50, 56, 58 and 66, Xintang Road, Shangcheng District,
Hangzhou 310000 Zhejiang, China

JOYKIE

(210): 1749436 (151): 05/07/2023

(511): 11

(732): ÇAĞLAYAN SOĞUTMA ANONİM ŞİRKETİ of Büyükkayacikosb
Mahallesi, 13 Nolu Sokak, 23/1, Selçuklu Konya, Turkey



(210): 1749520 (151): 14/06/2023

(511): 9

(732): Alsico NV of Zonnestraat 223-229 B-9600 Ronse, Belgium

ALSIFLEX

(210): 1749603 (151): 26/06/2023

(511): 3

(732): Liu Conghuan of No. 22, Dumugang Natural Village, Lantian
Village, Dipu Street, Anji County Zhejiang Province, China

HAENOW

(210): 1749806 (151): 23/06/2023

(511): 14

(732): ROLEX SA of 3-5-7 rue François-Dussaud CH-1211 Genève
26, Switzerland

1908

(210): 1749807 (151): 23/06/2023

(511): 14

(732): ROLEX SA of 3-5-7 rue François-Dussaud CH-1211 Genève
26, Switzerland

PERPETUAL 1908

(210): 1749863 (151): 27/01/2023

(511): 9

(732): Stiftung Ethereum (Foundation Ethereum) of Zeughausgasse
7a CH-6300 Zug, Switzerland

ETHER

(210): 1750112 (151): 10/05/2023

(511): 7

(732): SUZHOU DAKE MACHINERY CO., LTD. of No. 45 Songbei
Road, Suzhou Industrial Park, Suzhou City Jiangsu Province, China

WADFOW

(210): 1750155 (151): 17/04/2023

(511): 3

(732): KT GLOBAL DAGITIM VE PAZARLAMA TICARET LIMITED
SIRKETI of OSMANGAZI MAHALLESİ, MARESAL FEVZİ ÇAKMAK
CADDESİ, OFİS ONGAN TEKSTİL 29 1 Esenyurt Istanbul, Turkey

renden

(210): 1750318 (151): 23/03/2023

(511): 7

(732): Exergy International S.r.l. of Via Santa Rita 14, Olgiate
Olona I-21057 Varese, Italy

 **EXERGY**

(210): 1750356 (151): 06/07/2023

(511): 39

(732): CIBT, Inc. of #600 1600 International Dr. McLean VA 22102,
United States of America



(210): 1750357 (151): 10/07/2023

(511): 5

(732): KAVI GIDA SANAYI VE TICARET ANONİM SIRKETİ of PIRI REİS
MAHALLESİ OKTAY SOKAK NO :17 DARICA KOCAELİ, Turkey

 **HARD LINE**
NUTRITION

(210): 1750386 (151): 26/04/2023

(511): 9

(732): Euro Games Technology Ltd. of 4, "Maritsa" Str., "Vranya-
Lozen-Triugulnika" BG-1151 Sofia, Bulgaria

 **10 SHINING DIAMOND**

(210): 1750395 (151): 08/06/2023

(511): 9

(732): Max Dormer of Ardmere House, London Road BILLERICAY,
Essex CM12 9HS, United Kingdom

P18YER

(210): 1750398 (151): 26/06/2023

(511): 34

(732): Geek Miracle (UK) Limited of 69 Aberdeen Avenue
Cambridge CB2 8DL, United Kingdom

TACJA

(210): 1750589 (151): 05/06/2023

(511): 5

(732): NOVARTIS AG of CH-4002 Basel, Switzerland

VODELPA

(210): 1750622 (151): 30/03/2023

(511): 1

(732): Sandvik AB of Box 510 SE-101 30 Stockholm, Sweden



(210): 1750644 (151): 05/04/2023

(511): 9

(732): IDEEMATEC Deutschland GmbH of Neusling 9c 94574
Wallerfing, Germany

 **IDEEMATEC**

(210): 1750721 (151): 22/06/2023

(511): 9

(732): Pitman Training Group Limited of Deem House, Walkers
Court, Audby Lane Wetherby LS22 7FD, United Kingdom

 **PITMAN**
TRAINING

(210): 1750810 (151): 13/02/2023
 (511): 11
 (732): Noken Design, S.A.U. of Ctra. Vila-real, Puebla de Arenoso (CV-20), Km. 2 E-12540 Vila-real, Spain

nk

(210): 1750811 (151): 13/02/2023
 (511): 11
 (732): Noken Design, S.A.U. of Ctra. Vila-real, Puebla de Arenoso (CV-20), Km. 2 E-12540 Vila-real, Spain

noken

(210): 1751048 (151): 25/05/2023
 (511): 3
 (732): Z.ONE CONCEPT S.R.L. of Via Brodolini 30 I-21046 MALNATE (VA), Italy

DEPOT

(210): 1751231 (151): 13/02/2023
 (511): 9
 (732): Euro Games Technology Ltd. of "Maritsa" Str. 4, "Vranya-Lozen-Triugulnika" BG-1151 Sofia, Bulgaria



(210): 1751241 (151): 03/07/2023
 (511): 3
 (732): PT. Bina Karya Prima of Jl. Raya Bekasi Km. 27, Pejuang, Medan Satria, Bekasi Jawa Barat, Indonesia

DERMYTHOL

(210): 1751347 (151): 03/04/2023
 (511): 29
 (732): RENAISSANCE CAPITAL d.o.o. of Draškoviceva 45 HR-10000 Zagreb, Croatia



(210): 1751609 (151): 26/04/2023
 (511): 5
 (732): SHENZHEN MINDRAY BIO-MEDICAL ELECTRONICS CO., LTD. of Mindray Building, Keji 12th Road South, High-tech Industrial Park, Nanshan 518057 Shenzhen, China

mindray

(210): 1751634 (151): 05/07/2023
 (511): 31
 (732): Agro Trade for Import and Export of Fifth Floor, Flat 40- 6 Kobry El Kobba St., El Waily Cairo, Egypt



(210): 1751668 (151): 13/07/2023
 (511): 9
 (732): SAMSUNG ELECTRONICS CO., LTD. of 129, SAMSUNG-RO, YEONGTONG-GU, SUWON-SI GYEONGGI-DO, Republic of Korea

Knox

(210): 1751733 (151): 09/02/2023
 (511): 9
 (732): Euro Games Technology Ltd. of "Maritsa" Str. 4, "Vranya-Lozen-Triugulnika" BG-1151 Sofia, Bulgaria



(210): 1751816 (151): 07/07/2023
 (511): 33
 (732): WW EQUITY HOUSE TRADING LIMITED of Equity House, Deerpark Business Complex, Dublin Road Carlow, Co. Carlow, Carlow R93 K7W4, Ireland



(210): 1751961 (151): 12/05/2023
 (511): 9
 (732): International Business Machines Corporation of New Orchard Road Armonk NY 10504, United States of America

**DOSSIER
ACCELERATOR**

(210): 1752034 (151): 27/04/2023
 (511): 9
 (732): Euro Games Technology Ltd. of 4, "Maritsa" Str., "Vranya-Lozen-Triugulnika" BG-1151 Sofia, Bulgaria

**GODS
KINGS
LINK**

(210): 1752141 (151): 05/05/2023
 (511): 12
 (732): SHANDONG QILUN RUBBER CO., LTD. of No. 262, Qingken Road, Rubber Industry Zone, Dawang Town, Guangrao County, Dongying City 250101 Shandong Province, China

DURUN

(210): 1752148 (151): 21/04/2023
 (511): 1
 (732): Albaugh tovarna kemernih izdelkov d.o.o. of Grajski trg 21 SI-2327 Race, Slovenia

Albaugh Your Alternative

(210): 1752338 (151): 20/06/2023
 (511): 30
 (732): ERISLER GIDA SANAYI VE TICARET A.S. of Murat Çesme Mahallesi Eski Silivri Caddesi 58/1 Büyükçekmece Istanbul, Turkey

DUDOMİ

(210): 1752384 (151): 24/05/2023
 (511): 3
 (732): SANTONI SOCIETA' PER AZIONI of Via Monte Napoleone 9 I-20121 MILANO (MI), Italy

S

(210): 1752429 (151): 04/07/2023
 (511): 11
 (732): Hubei Meihuan Optoelectronic Technology Co.,Ltd. of No. 51, Chuangye Road, Jinping Industrial Park, Shishou Economic Development Zone Hubei Province, China

**洛言
LUOYAN**

(210): 1752452 (151): 06/07/2023
 (511): 28
 (732): WNQ (Shanghai) Body-building Equipment Co., Ltd. of No.388. Beiyong Road 201700 Qingpu Area Shanghai City, China

WNQ

(210): 1752469 (151): 07/07/2023
 (511): 21
 (732): GUANGDONG ALPHA HEALTH TECH CO., LTD. of Room 101-A8, Building 2nd, No. 3039, Hubin Road, San ZaoTown, JinWan District, Zhu Hai Guangdong, China

JFT

(210): 1752471 (151): 03/07/2023
 (511): 4
 (732): Suzhou Parsun Power Machine Co., Ltd. of NO. 567 Liangang Road, Xushuguan Development Zone, Suzhou 215151 Jiangsu Province, China

PARSUNLUBE

(210): 1752520 (151): 07/07/2023
 (511): 4
 (732): Suzhou Parsun Power Machine Co., Ltd. of NO. 567 Liangang Road, Xushuguan Development Zone, Suzhou 215151 Jiangsu Province, China

PARSUN

(210): 1752529 (151): 30/06/2023
 (511): 2
 (732): Wenzhou Gongzheng Intelligent Equipment Co., Ltd of Miao bei village, Sanjiang street, Yongjia county, Wenzhou 325105 Zhejiang, China

**GZ
GONGZHENG**

(210): 1752535 (151): 04/07/2023
 (511): 9
 (732): Shanghai Dewav IoT Technology Co.,Ltd. of 3F, Building 1, No. 400 Fangchun Road, Free Trade Zone 200135 Shanghai, China

Frigga

(210): 1752561 (151): 13/02/2023

(511): 9

(732): Euro Games Technology Ltd. of "Maritsa" Str. 4, "Vranya-Lozen-Triugulnika" BG-1151 Sofia, Bulgaria

10 SHINING DIAMOND

(210): 1752573 (151): 16/06/2023

(511): 9

(732): NI, Zhonghua of F2, NO.9, Building 22, Futian District 4, Yiwu City Zhejiang Province, China



(210): 1752598 (151): 03/04/2023

(511): 5

(732): FERNANDO GARCIA SADA of CALZADA DEL VALLE NUM. EXT. 202, NUM. INT. PISO 3, COLONIA DEL VALLE 66220 MONTERREY, NUEVO LEON, Mexico

SILTI

(210): 1752641 (151): 28/06/2023

(511): 9

(732): Ubiquiti Inc. of 685 Third Avenue, 27th Floor New York NY 10017, United States of America



(210): 1752735 (151): 15/12/2022

(511): 1

(732): Sandvik AB of Box 510 SE-101 30 Stockholm, Sweden



(210): 1752856 (151): 28/08/2023

(511): 3

(732): 001 DEL LLC of 767 Fifth Avenue New York NY 10153, United States of America

TOM FORD

(210): 1752897 (151): 07/07/2023

(511): 30

(732): Hunan Chayue Cultural Industry Development Group Co., Ltd. of Room 102-1, Building 8, Huayuanhua Center, No. 36, Section 2, Xiangjiang Middle Road, Tianxin District, Changsha Hunan Province, China



(210): 1752899 (151): 07/07/2023

(511): 29

(732): Hunan Chayue Cultural Industry Development Group Co., Ltd. of Room 102-1, Building 8, Huayuanhua Center, No. 36, Section 2, Xiangjiang Middle Road, Tianxin District, Changsha Hunan Province, China



(210): 1753176 (151): 16/05/2023

(511): 35

(732): "Liga Stavok Kazakhstan" Limited Liability Partnership of Uly Dala avenue, house 7/4, non-residential premises 11, Esil district 010000 Astana, Kazakhstan



(210): 1753277 (151): 13/06/2023

(511): 9

(732): Individual entrepreneur Obukhov Nikita Valentinovich of st. Aviamotornaya, d. 35, apt. 9 RU-111024 Moscow, Russian Federation

Tilda

(210): 1753327 (151): 21/06/2023

(511): 7

(732): KUBOTA Corporation of 2-47, Shikitsuhihigashi 1-chome, Naniwa-ku, Osaka-shi Osaka 556-8601, Japan

Kubota

(210): 1753425 (151): 07/07/2023

(511): 3

(732): Madame VAZ DE OLIVEIRA MARIA of 19 RUE DES HAUTS VENTS F-14440 DOUVRES LA DELIVDRANDE, France

LES SAVONS DE JOYA

(210): 1753467 (151): 02/06/2023

(511): 3

(732): Obschestvo s ogranichennoi otvetstvennostyu "Aziya Layf" of b-r Kavkazskii, d. 57, str. 2, pom. 319 RU-115516 Moskva, Russian Federation



(210): 1753734 (151): 09/05/2023

(511): 5

(732): Pharmalys Laboratories SA of Schochenmühlestrasse 2 CH-6340 Baar, Switzerland

**PHARMALYS
LABORATORIES**

(210): 1753998 (151): 28/04/2023

(511): 9

(732): Messe Frankfurt GmbH of Ludwig-Erhard-Anlage 1 60327 Frankfurt am Main, Germany

messe frankfurt

(210): 1754067 (151): 19/06/2023

(511): 35

(732): PRIFE INTERNATIONAL SDN BHD of BLOCK A GR-2, MENARA UNCANG EMAS, 85, JALAN LOKE YEW, CHERAS 55200 KUALA LUMPUR, Malaysia



(210): 1754459 (151): 23/05/2023

(511): 5

(732): Stratpharma AG of Aeschenvorstadt 57 CH-4051 Basel, Switzerland

StrataMGT

(210): 1754662 (151): 17/02/2023

(511): 6

(732): LEGRAND SNC; LEGRAND FRANCE of 128 avenue du Maréchal de Lattre-de-Tassigny F-87000 LIMOGES, France; 128 avenue du Maréchal de Lattre-de-Tassigny F-87000 LIMOGES, France

LEGRAND

(210): 1754677 (151): 10/07/2023

(511): 7

(732): Shanghai New Power Automotive Technology Company Limited of No. 2636 Jungong Road, Yangpu District 200438 Shanghai, China



**上柴动力
SDEC POWER**

(210): 1754767 (151): 24/05/2023

(511): 9

(732): Comune di Lugano of Cancelleria comunale, Piazza della Riforma 1 CH-6900 Lugano, Switzerland



(210): 1754827 (151): 26/06/2023

(511): 9

(732): SHENZHEN XUNWEIJIA TECHNOLOGY DEVELOPMENT CO., LTD. of Room 1104, Taoxia Jinhua Building, Gaofeng Community, Dalang Street, Longhua, Shenzhen 518110 Guangdong, China

AMPLITANK

(210): 1754998 (151): 06/07/2023

(511): 39

(732): CIBT, Inc. of #600 1600 International Dr. McLean VA 22102, United States of America

ENTRIVA

(210): 1755004 (151): 20/06/2023

(511): 5

(732): CHIESI FARMACEUTICI S.P.A. of Via Palermo, 26/A I-43122 Parma (PR), Italy

CAYONA

(210): 1755006 (151): 07/07/2023

(511): 9

(732): Sheng Investment Co., Ltd., Shenzhen joint of Room 1036, Building 2, Shanghenglang New Industrial Zone, Henglang Community, Dalang Street, Longhua District, Shenzhen City Guangdong Province, China



(210): 1755012 (151): 25/08/2023

(511): 7

(732): TAIZHOU MENGHUA MACHINERY CO.,LTD of No.85 HaiLiang Road, Sanjia Street, Jiaojiang, Taizhou City Zhejiang, China



(210): 1755086 (151): 03/07/2023

(511): 9

(732): LONGi Green Energy Technology Co., Ltd. of No. 388 Middle Hangtian Road, Chang'an District, Xi'an Shaanxi, China

Hi-MO

(210): 1755159 (151): 27/04/2023

(511): 9

(732): International Business Machines Corporation of New Orchard Road Armonk NY 10504, United States of America

**THE WEATHER
ENGINE**

(210): 1755165 (151): 30/05/2023

(511): 9

(732): Euro Games Technology Ltd. of 4, "Maritsa" Str., "Vranya-Lozen-Triugulnika" BG-1151 Sofia, Bulgaria

**SUPER
COLLECTION 1**

(210): 1755304 (151): 18/05/2023

(511): 9

(732): Euro Games Technology Ltd. of 4, "Maritsa" Str. "Vranya-Lozen-Triugulnika" BG-1151 Sofia, Bulgaria

Rainbow Hot

(210): 1755536 (151): 11/07/2023

(511): 1

(732): Anglo American Woodsmith Limited of 17 Charterhouse Street London EC1N 6RA, United Kingdom

ALDOR

(210): 1755803 (151): 30/05/2023

(511): 9

(732): Euro Games Technology Ltd. of 4, "Maritsa" Str., "Vranya-Lozen-Triugulnika" BG-1151 Sofia, Bulgaria

BURNING DICE

(210): 1755849 (151): 25/08/2023

(511): 35

(732): Bell Procurement Management Limited of New Hampshire Court, St. Pauls Road SOUTHSEA PO5 4AQ, United Kingdom

TPM

(210): 1756063 (151): 17/05/2023

(511): 1

(732): Beijing Ruide Kaizhuo Science and Technology Trading Co., Ltd. of No. 207, Room 1501, 12th Floor, Unit 1, No. 8 Building, Xiaoyunli, Chaoyang District Beijing, China

AITO

(210): 1756084 (151): 25/04/2023

(511): 9

(732): International Business Machines Corporation of New Orchard Road Armonk NY 10504, United States of America

WEATHERVERSE

(210): 1756088 (151): 04/07/2023

(511): 19

(732): Holcim Technology Ltd of Grafenauweg 10 CH-6300 Zug, Switzerland

ECOCycle

(210): 1756098 (151): 28/04/2023

(511): 25

(732): XIAMEN EOPAIA IMP & EXP TRADING CORP. of Room 1902, Unit B Sinotrans Operation Center Building, No. 1032 Xiahe Road, Siming District, Xiamen City 361000 Fujian Province, China



(210): 1756158 (151): 04/07/2023
 (511): 19
 (732): Holcim Technology Ltd of Grafenauweg 10 CH-6300 Zug,
 Switzerland



(210): 1756186 (151): 05/01/2023
 (511): 18
 (732): ANTA (CHINA) CO., LTD. of Dongshan Industrial Zone,
 Chidian Town, Jinjiang City Fujian Province, China



(210): 1756206 (151): 07/07/2023
 (511): 20
 (732): HÅSTENS SÄNGAR AB of P.O. Box 130 SE-731 23 Köping,
 Sweden

(210): 1756266 (151): 05/07/2023
 (511): 7
 (732): HD Hyundai Infracore Co., Ltd. of 489, Injung-ro, Dong-Gu
 Incheon, Republic of Korea

My DEVELON

(210): 1756649 (151): 18/05/2023
 (511): 9
 (732): Euro Games Technology Ltd. of 4, "Maritsa" Str., "Vranya-
 Lozen-Triugulnika" BG-1151 Sofia, Bulgaria

Clover Respin

(210): 1756687 (151): 28/06/2023
 (511): 9
 (732): INEOS Automotive Limited of Hawkslease, Chapel Lane,
 Lyndhurst Hampshire SO43 7FG, United Kingdom

QUARTERMASTER

(210): 1756853 (151): 30/08/2023
 (511): 9
 (732): Hangzhou Xinlai Optical Instrument Co., Ltd. of Room A411,
 Block 4, No. 571, 19th Avenue, Hangzhou Economic and
 Technological Development Zone, Baiyang Street, Qiantang
 District, Hangzhou Zhejiang Province, China

Troscas

(210): 1757447 (151): 07/06/2023
 (511): 9
 (732): Euro Games Technology Ltd. of 4, "Maritsa" Str., "Vranya-
 Lozen-Triugulnika" BG-1151 Sofia, Bulgaria

Knight's Heart

(210): 1757466 (151): 07/03/2023
 (511): 5
 (732): RSPL HEALTH PRIVATE LIMITED of c-1, 2 and 3, 3rd floor,
 301 to 311, p.p. tower a, netaji subhash place, pitampura, new
 delhi, north west delhi 110034, India



(210): 1757562 (151): 25/08/2023
 (511): 30
 (732): Dubitsky, Craig of 154 Highland Avenue Montclair NJ 07042,
 United States of America

HAPPY

(210): 1757619 (151): 14/07/2023
 (511): 9
 (732): INEOS Automotive Limited of Hawkslease, Chapel Lane,
 Lyndhurst Hampshire SO43 7FG, United Kingdom

FUSILIER

(210): 1757620 (151): 09/08/2023
 (511): 33
 (732): AQUA NRG INVESTMENTS LIMITED of Lampousas, 1 CY-1095
 Nicosia, Cyprus



(210): 1757996 (151): 30/05/2023
 (511): 9
 (732): Euro Games Technology Ltd. of 4, "Maritsa" Str., "Vranya-
 Lozen-Triugulnika" BG-1151 Sofia, Bulgaria

SHINING KING

(210): 1758005 (151): 30/06/2023

(511): 45

(732): Dreamteam Inc. of 1-16-7 Jinnan, Shibuya-ku Tokyo 150-0041, Japan

Flora

(210): 1758162 (151): 07/06/2023

(511): 7

(732): TAIZHOU HUANGYAN DAELONG MOLD CO., LTD. of No. 58 Kangzhuang Road, Huangyan Economic Development Zone, Taizhou City Zhejiang, China



(210): 1758163 (151): 30/07/2023

(511): 18

(732): Apple Inc. of One Apple Park Way Cupertino CA 95014, United States of America



(210): 1758190 (151): 19/06/2023

(511): 35

(732): 01 TALENT INTERNATIONAL, S.A. of Rua da Mouraria 9 P-9000 FUNCHAL, Portugal



(210): 1758226 (151): 30/06/2023

(511): 9

(732): TWC PRODUCT AND TECHNOLOGY, LLC of 300 INTERSTATE NORTH PARKWAY ATLANTA GA 30339, United States of America



(210): 1758247 (151): 17/08/2023

(511): 33

(732): Nemiroff Intellectual Property Establishment of Städtle 31 FL-9490 Vaduz, Liechtenstein

INDOMITABLE SPIRIT

(210): 1758274 (151): 09/08/2023

(511): 18

(732): Guangzhou Suofei Leather Goods Co., Ltd. of No. 7, Xianghe Street, Shiling Town, Huadu District, Guangzhou City Guangdong Province, China



(210): 1758338 (151): 01/08/2023

(511): 7

(732): Shandong Hengwang Group Co.,Ltd. of Shiqiao Industry Park, Beihu Provincial Tourist Resort, Jining City 272000 Shandong Province, China



(210): 1758428 (151): 07/06/2023

(511): 9

(732): Euro Games Technology Ltd. of 4, "Maritsa" Str., "Vranya-Lozen-Triugulnika" BG-1151 Sofia, Bulgaria



11.6 Corrigenda

(111) Mark number: **706331**

(540) Trade Mark: **PROCORALAN**

(511) Class: **5**

(442) Date of advertisement: **30th November, 2023**

(587) Corrections

(1) In the advertisement of License, the Mark number was omitted and should appear as above

(2) The mark was erroneously published as a new application.

12.0 General Information

1. Patent, Utility Models and Industrial Design fees.

The following is a list of various fees payable under the Industrial Property Regulations, 2002

Patents

	Local (Kshs)	Foreign USD
Filing fee (full specification)	3, 000	150
Provisional application filing fee	1, 000	50
Substantive examination request	5, 000	250
Publication fee	3, 000	150
Grant fee	3, 000	150
Annual renewal fee -2 nd year - (varies according to years)	2, 000	300

Utility Models

	Local (Kshs)	Foreign USD
Filing fee (full specification)	1, 000	50
Provisional application filing fee	500	50
Publication fee	3, 000	150
Registration fee	3, 000	150
Annual renewal fee -2 nd year - (varies according to years)	1, 000	50

Industrial Designs

	Local (Kshs)	Foreign USD
Filing fee	3, 000	150
Publication fee	3, 000	150
Registration fee	1, 000	50
Renewal fee (after five years from application date)	10, 000	500

The complete list of fees is available on the Institute website: www.kipi.go.ke.

2. African Regional Intellectual Property Organization (ARIPO)

ARIPO is a regional body established by African governments to have a central office to among other things, process and grant industrial property rights on behalf of member states. ARIPO grants patents, utility models and industrial designs on behalf of Kenya. Currently, ARIPO consists of the following 16 member states; Botswana, Gambia, Ghana, Kenya, Lesotho, Liberia, Malawi, Mozambique, Namibia Sierra Leone, Sudan, Swaziland, Tanzania, Uganda, Zambia and Zimbabwe. Kenyan applicants are required by law to first file with the Institute before filing with ARIPO. ARIPO secretariat is located in Harare Zimbabwe.

The complete fee schedule for ARIPO is available on their website <http://www.aripo.org>. The following are the fees an applicant is required to pay immediately on application.

	Patents	Utility Models	Industrial Designs
Filing fee	USD 250	USD 100	USD 50
Designation fee (multiply with no. of designated countries)	USD 75	USD 20	USD 10
Transmission fee	Kshs 5000	Kshs 5000	Kshs 5000

3. Patent Cooperation Treaty

The Patent Cooperation Treaty (PCT) is an international patent protection treaty consisting of over 140 member states. PCT is administered by the World Intellectual Property Organization in Geneva Switzerland. PCT makes it possible for an applicant to seek patent protection for an invention simultaneously in any of the selected member states by filing one application. PCT is a filing system and does not grant patents on behalf of the member states. Applications must enter national phase in the selected member states. In the national phase, the applicant is required to pay the prescribed national fees in the said member states. Further, in

some member states, a foreign applicant is required to have a resident agent. The PCT fees as of 1st May 2011 are as follows:

Type of fee	Fee		Fee waivers
International filing fee	USD 1, 367 or CHF 1330		90% waiver for a natural person from Kenya
Search fees (only one search authority needs to be selected by applicant)	Austria	USD 2, 443	75% waiver for natural a person from Kenya
	Australia	USD 1, 837	None
	China	USD 314	None
	European Patent office	USD 2, 443	75% waiver for a natural person from Kenya
	Sweden	USD 2, 443	None
Transmittal fee	Kshs 5000		-

More information is available on the PCT website www.wipo.int/pct/en

4. Kenya is a signatory to the following Treaties related to industrial property rights:

No.	Treaty	Year of accession/ratification
1.	The Lusaka Agreement, establishing the African Regional Intellectual Property Organization	15 th February 1978
2.	The Protocol on Patents and Industrial Designs (Harare Protocol)	24 th October 1984
3.	The Paris Convention for Protection of Industrial Property	14 th June, 1965
4.	The World Intellectual Property Organization Convention	5 th October 1971
5.	Nairobi Treaty on the Protection of the Olympic Symbol	25 th September 1982
6.	The Patent Cooperation Treaty	8 th June 1994
7.	The Madrid Agreement Concerning the International Registration of Marks	26 th June 1998
8.	The Protocol Relating to the Madrid Agreement Concerning the International Registration of Marks	26 th June 1998
9.	The Trade Related Aspects of Intellectual Property Rights Agreement	1 st January 1995

5. Trade Marks Forms and Fees

The following are some of the prescribed forms and the respective fees under the Trade Marks Rules:

	Description of fee	Local Fee Kshs	Foreign Fee US\$	Corresponding form
1.	Application fee for an application to register a trade mark: for the first class for each subsequent class	4, 000 3,000	200 150	TM 2
2.	Fee for registration of a trade mark under r. 60(1): for the first class for each subsequent class	2, 000 1, 500	150 100	-

3.	Fee for filing a notice of opposition to an application to register a trade mark: for the first class for each subsequent class	5000 4000	250 200	TM 6
4.	Fee for filing a counter statement: for the first class for each subsequent class	4, 000 3, 000	200 150	TM 7
5.	Fee for renewal of a registration of a trade mark under r.64(1), 67 or 68 for the first class for each subsequent class	4, 000 3, 000	200 150	TM 10
6.	Application fee for an application, under r. 71, to register an assignment or transmission, for each trade mark assigned or transmitted: for the first class for each subsequent class	3, 000 2,000	150 100	TM 14
7	Application fee for an application, under r. 95, to register a person as a registered user of a registered trade mark, for each trade mark: for the first class for each subsequent class	6, 000 5,000	300 250	TM 48
8.	Application fee for an application, under r. 81(1), 85(2) or 101(2), to alter the trade or business address of the proprietor or a registered user, for each trade mark: for the first class for each subsequent class	2, 000 1, 000	100 50	TM 17
9.	Application fee for an application, under r. 82(1) and section 29, 30, 35 or 36 of the Act, for the making, expunging or varying of an entry in the register, for each trade mark: for the first class for each subsequent class	6, 000 5, 000	300 250	TM 25
10.	Application fee for an application, under r. 85(2) or 101(2), to make a correction to the Register for which a fee is not otherwise specified, for each trade mark: for the first class for each subsequent class	2, 000 1, 000	150 50	TM 19
11.	Application fee for an application, under r. 85(2) or 101(2), to change the name or description of the proprietor or a registered user: for the first class for each subsequent class	3, 000 500	150 50	TM 20
12.	Fee for appointing an agent, under r. 14(2), to act in a proceeding or matter before or affecting the Registrar	1, 000	50	TM 1
13.	Application fee for an application, under r. 102, for an extension of time, other than an extension of time prescribed by rule 76: a. extension not exceeding 30 days	1, 000	50	TM 53

	b. extension exceeding 30 days but not exceeding 60 days	2, 000	100	
	c. extension exceeding 60 days	3, 000	150	
14.	Application fee for an application, under r. 108, to amend a document or drawing or other representation, for each trademark: for the first class for each subsequent class	2, 000 1, 000	100 50	TM 19
15.	Fee for preliminary advice of the Registrar under r. 20(1): for the first class for each subsequent class	3, 000 2, 000	150 50	TM 27

Notes:

1. A foreign fee is payable if the person paying the fee or on whose behalf the fee is being paid does not reside in Kenya and does not have a principal place of business in Kenya.
2. All the prescribed forms and the respective fees payable for matters under the Trade Marks Act and Rules are available at www.kipi.go.ke

6. The International Classification of Goods and Services for the Purposes of the Registration of Marks (Nice Classification)

The Nice Classification is established under the Nice Agreement Concerning the International Classification of Goods and Services for the Purposes of the Registration of Marks, one of the treaties administered by the World Intellectual Property Organization. The Nice Classification was established by an Agreement concluded at a Diplomatic Conference held in Nice on 15th June 1957. Kenya has not ratified the Agreement. However, section 6 of the Trade Marks Act provides that goods and services in respect of which registration of a mark is applied for shall be classified in accordance with the Nice Classification. The following are the class headings under the Nice Classification:

Nice Classification (10th Edition) C L A S S H E A D I N G S

GOODS

- Class 1* Chemicals used in industry, science and photography, as well as in agriculture, horticulture and forestry; unprocessed artificial resins, unprocessed plastics; manures; fire extinguishing compositions; tempering and soldering preparations; chemical substances for preserving foodstuffs; tanning substances; adhesives used in industry
- Class 2* Paints, varnishes, lacquers; preservatives against rust and against deterioration of wood; colorants; mordants; raw natural resins; metals in foil and powder form for painters, decorators, printers and artists
- Class 3* Bleaching preparations and other substances for laundry use; cleaning, polishing, scouring and abrasive preparations; soaps; perfumery, essential oils, cosmetics, hair lotions; dentifrices
- Class 4* Industrial oils and greases; lubricants; dust absorbing, wetting and binding compositions; fuels (including motor spirit) and illuminants; candles and wicks for lighting
- Class 5* Pharmaceutical and veterinary preparations; sanitary preparations for medical purposes; dietetic food and substances adapted for medical or veterinary use, food for babies; dietary supplements for humans and animals; plasters, materials for dressings; material for stopping teeth, dental wax; disinfectants; preparations for destroying vermin; fungicides, herbicides
- Class 6* Common metals and their alloys; metal building materials; transportable buildings of metal; materials of metal for railway tracks; non-electric cables and wires of common metal; ironmongery, small items of metal hardware; pipes and tubes of metal; safes; goods of common metal not included in other classes; ores

-
- Class 7* Machines and machine tools; motors and engines (except for land vehicles); machine coupling and transmission components (except for land vehicles); agricultural implements other than hand-operated; incubators for eggs; automatic vending machines
- Class 8* Hand tools and implements (hand-operated); cutlery; side arms; razors
- Class 9* Scientific, nautical, surveying, photographic, cinematographic, optical, weighing, measuring, signalling, checking (supervision), life-saving and teaching apparatus and instruments; apparatus and instruments for conducting, switching, transforming, accumulating, regulating or controlling electricity; apparatus for recording, transmission or reproduction of sound or images; magnetic data carriers, recording discs; compact discs, DVDs and other digital recording media; mechanisms for coin-operated apparatus; cash registers, calculating machines, data processing equipment, computers; computer software; fire-extinguishing apparatus
- Class 10* Surgical, medical, dental and veterinary apparatus and instruments, artificial limbs, eyes and teeth; orthopedic articles; suture materials
- Class 11* Apparatus for lighting, heating, steam generating, cooking, refrigerating, drying, ventilating, water supply and sanitary purposes
- Class 12* Vehicles; apparatus for locomotion by land, air or water
- Class 13* Firearms; ammunition and projectiles; explosives; fireworks
- Class 14* Precious metals and their alloys and goods in precious metals or coated therewith, not included in other classes; jewellery, precious stones; horological and chronometric instruments
- Class 15* Musical instruments
- Class 16* Paper, cardboard and goods made from these materials, not included in other classes; printed matter; bookbinding material; photographs; stationery; adhesives for stationery or household purposes; artists' materials; paint brushes; typewriters and office requisites (except furniture); instructional and teaching material (except apparatus); plastic materials for packaging (not included in other classes); printers' type; printing blocks
- Class 17* Rubber, gutta-percha, gum, asbestos, mica and goods made from these materials and not included in other classes; plastics in extruded form for use in manufacture; packing, stopping and insulating materials; flexible pipes, not of metal
- Class 18* Leather and imitations of leather, and goods made of these materials and not included in other classes; animal skins, hides; trunks and travelling bags; umbrellas and parasols; walking sticks; whips, harness and saddlery
- Class 19* Building materials (non-metallic); non-metallic rigid pipes for building; asphalt, pitch and bitumen; non-metallic transportable buildings; monuments, not of metal
- Class 20* Furniture, mirrors, picture frames; goods (not included in other classes) of wood, cork, reed, cane, wicker, horn, bone, ivory, whalebone, shell, amber, mother-of pearl, meerschaum and substitutes for all these materials, or of plastics
- Class 21* Household or kitchen utensils and containers; combs and sponges; brushes (except paint brushes); brush-making materials; articles for cleaning purposes; steelwool; unworked or semi-worked glass (except glass used in building); glassware, porcelain and earthenware not included in other classes
- Class 22* Ropes, string, nets, tents, awnings, tarpaulins, sails, sacks and bags (not included in other classes); padding and stuffing materials (except of rubber or plastics); raw fibrous textile materials
- Class 23* Yarns and threads, for textile use

-
- Class 24* Textiles and textile goods, not included in other classes; bed covers; table covers
- Class 25* Clothing, footwear, headgear
- Class 26* Lace and embroidery, ribbons and braid; buttons, hooks and eyes, pins and needles; artificial flowers
- Class 27* Carpets, rugs, mats and matting, linoleum and other materials for covering existing floors; wall hangings (non-textile)
- Class 28* Games and playthings; gymnastic and sporting articles not included in other classes; decorations for Christmas trees
- Class 29* Meat, fish, poultry and game; meat extracts; preserved, frozen, dried and cooked fruits and vegetables; jellies, jams, compotes; eggs; milk and milk products; edible oils and fats
- Class 30* Coffee, tea, cocoa and artificial coffee; rice; tapioca and sago; flour and preparations made from cereals; bread, pastry and confectionery; ices; sugar, honey, treacle; yeast, baking-powder; salt; mustard; vinegar, sauces (condiments); spices; ice
- Class 31* Grains and agricultural, horticultural and forestry products not included in other classes; live animals; fresh fruits and vegetables; seeds; natural plants and flowers; foodstuffs for animals; malt
- Class 32* Beers; mineral and aerated waters and other non-alcoholic beverages; fruit beverages and fruit juices; syrups and other preparations for making beverages
- Class 33* Alcoholic beverages (except beers)
- Class 34* Tobacco; smokers' articles; matches
- SERVICES**
- Class 35* Advertising; business management; business administration; office functions
- Class 36* Insurance; financial affairs; monetary affairs; real estate affairs
- Class 37* Building construction; repair; installation services
- Class 38* Telecommunications
- Class 39* Transport; packaging and storage of goods; travel arrangement
- Class 40* Treatment of materials
- Class 41* Education; providing of training; entertainment; sporting and cultural activities
- Class 42* Scientific and technological services and research and design relating thereto; industrial analysis and research services; design and development of computer hardware and software
- Class 43* Services for providing food and drink; temporary accommodation
- Class 44* Medical services; veterinary services; hygienic and beauty care for human beings or animals; agriculture, horticulture and forestry services
- Class 45* Personal and social services rendered by others to meet the needs of individuals; security services for the protection of property and individuals

END OF DOCUMENT