

KENYA INDUSTRIAL PROPERTY INSTITUTE



INDUSTRIAL PROPERTY JOURNAL

(Journal of Patents, Industrial Designs, Utility Models and Trade marks)

No. 2023/05

30th June, 2023

Published Monthly

EDITORIAL

The Industrial Property Journal is the Official Journal of the Kenya Industrial Property Institute. Publication of the Journal is provided for under the Industrial Property Act, 2001 and regulation 7 of the Industrial Property Regulations 2002. The Journal is published monthly by the Institute as part of the procedures for protection of industrial property rights under the Industrial Property Act, No. 3 of 2001 and the Trade Marks Act, Cap 506 of the Laws of Kenya.

.....

PUBLICATION FEES FOR MARKS

	Foreign	Local
For the first class.....	US\$ 60	Ksh. 3, 000/=
For each subsequent class.....	US\$ 50	Ksh. 2, 500/=

The above-mentioned charges apply for all other matters required to be published under the Trade Marks Act, Cap 506 of the Laws of Kenya

.....

PUBLICATION FEES FOR PATENTS, UTILITY MODELS AND INDUSTRIAL DESIGNS

Foreign	Local
US\$ 150	Ksh. 3, 000/=

The above-mentioned charges apply for all other matters required to be published under the Industrial Property Act, No. 3 of 2001

.....

Published and edited by:
Kenya Industrial Property Institute
P.O. Box 51648-00200 Nairobi.
Tel: 254-02-6002210/11, 6006326/29/36
Mobile No: 0736002020
Wireless: 0202386220
Fax: 254-02-6006312
Email: info@kipi.go.ke
Website: www.kipi.go.ke

© Kenya Industrial Property Institute 2023

The Industrial Property Journal

CONTENTS	PAGE
EDITORIAL.....	I
PUBLICATION FEES FOR MARKS.....	I
PUBLICATION FEES FOR PATENTS, UTILITY MODELS AND INDUSTRIAL DESIGNS	I
WIPO STANDARDS	III
GENERAL NOTICES.....	IV
1.0 PATENT APPLICATIONS PUBLISHED UNDER SECTION 42 AND REGULATION 35.	1
1.1 NATIONAL APPLICATION	1
1.2 PCT NATIONAL PHASE APPLICATIONS.....	1
2.0 PATENTS GRANTED UNDER SECTION 45.....	2
2.1 NATIONAL PATENTS.....	2
2.2 ARIPO GRANTED PATENTS.....	4
3.0 PATENTS RENEWED UNDER SECTION 61	12
3.1 NATIONAL PATENTS.....	12
4.0 CHANGE OF OWNERSHIP	14
5.0 CHANGE OF NAME.....	15
6.0 UTILITY MODEL APPLICATIONS PUBLISHED UNDER SECTION 42 AND REGULATION 35	15
6.1 NATIONAL APPLICATION.....	15
7.0 UTILITY MODELS REGISTERED.....	19
7.1 NATIONAL UTILITY MODELS.....	19
8.0 INDUSTRIAL DESIGN APPLICATIONS PUBLISHED UNDER SECTION 87 AND REGULATION 48	22
8.1 NATIONAL APPLICATIONS	22
8.2. ARIPO APPLICATIONS DESIGNATING KENYA.....	24
8.3 CHANGE OF OWNERSHIP.....	26
9.0 REGISTERED INDUSTRIAL DESIGNS.....	26
9.1 NATIONAL INDUSTRIAL DESIGNS.....	26
9.2 ARIPO DESIGNS	34
10.0 RENEWED INDUSTRIAL DESIGNS.....	36
10.1 NATIONAL DESIGNS	36
11.0 TRADE MARKS.....	37
11.1 APPLICATIONS ACCEPTED FOR REGISTRATION.....	37
11.2 WITHDRAWAL.....	170
11.3 ALTERATION.....	171
11.4 ALTERATION OF GOODS.....	171
11.5 ABANDONMENT.....	172
11.6 REMOVAL.....	172
11.7 CORRIGENDA	173
11.8 MADRID APPLICATIONS ACCEPTED FOR REGISTRATION	174
12.0 GENERAL INFORMATION.....	184
1. PATENT, UTILITY MODELS AND INDUSTRIAL DESIGN FEES.	184
2. AFRICAN REGIONAL INTELLECTUAL PROPERTY ORGANIZATION (ARIPO).....	184
3. PATENT COOPERATION TREATY.....	184
4. KENYA IS A SIGNATORY TO THE FOLLOWING TREATIES RELATED TO INDUSTRIAL PROPERTY RIGHTS:	185
5. TRADE MARKS FORMS AND FEES	185
6. THE INTERNATIONAL CLASSIFICATION OF GOODS AND SERVICES FOR THE PURPOSES OF THE REGISTRATION OF MARKS (NICE CLASSIFICATION).....	187

WIPO standards**INID CODES**

INID is an acronym for 'Internationally agreed Numbers for the Identification of (bibliographic) Data'. The codes are used on the first page of industrial property documents and in gazettes to identify the bibliographic data without knowledge of the language used and the industrial property laws applied. The following INID codes are used in this Journal:

Standard ST.9 and ST.80 for Patents and utility Models and Industrial Designs

- (11) Number of the document
- (12) Designation of the kind of document
- (15) Correction information
- (19) WIPO standard ST.3 code of the office or organization publishing the document
- (21) Application Number
- (22) Date of filing of application
- (30) Priority data
- (31) Priority Number(s).
- (32) Priority Date(s).
- (33) Priority Country(s).
- (41) Publication date of unexamined application
- (42) Publication date of examined application
- (45) Publication date of registered right/Date of registration
- (51) International classification.
- (54) Title of the Invention.
- (56) Cited documents
- (57) Abstract
- (71) Name(s) of applicant(s)
- (72) Name(s) of Inventor(s)
- (730) Proprietor
- (740) Name and address of Agent or address for service
- (85) Date of entry into national phase for PCT applications
- (87) PCT Publication data
- Standard ST. 60 for Marks
- 111 Registration number
- 180 Expiry Date
- 210 Application number
- 220 Filing date of application
- 300 Data relating to Application under the Paris convention
- 442 Date of advertisement
- 511 International classification and/or list of goods and services
- 526 Disclaimer
- 540 Reproduction of the Mark
- 566 Translation of the mark or words contained in the mark
- 15 Amendment/Correction information
- 591 Information concerning colours claimed
- 730 Name and address of the/proprietor
- 740 Name and address of the agent or applicant
- 791 Name and address of Licensee/registered user

GENERAL NOTICES



REVOCAION OF PRACTICE NOTE 4A

IT IS NOTIFIED TO THE PUBLIC THAT Practice Note 4A, which was published in the Industrial Property Journal of 31st May 2023 is hereby revoked.

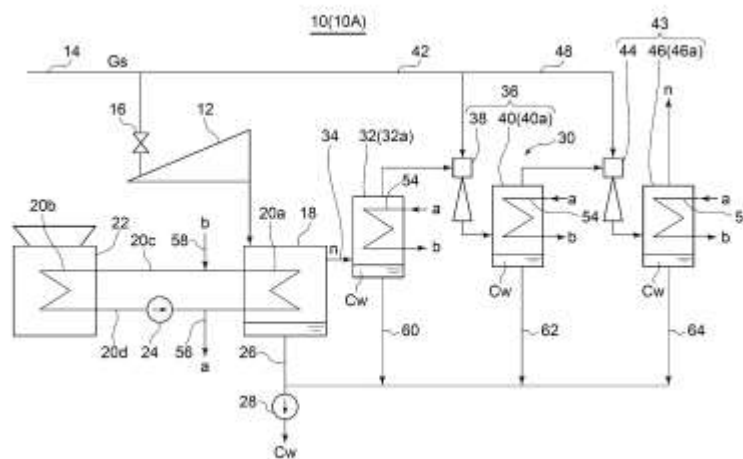
Dated 16th June 2023

The Registrar of Trade Marks
Kenya Industrial Property Institute
P.O. Box 51468-00200
Nairobi

1.0 Patent Applications published under Section 42 and Regulation 35.

1.1 National Application

(21) Application no.: KE/P/2021/3851 (22) Filing Date: 15/06/2021
 (30) Priority: JP2020-112800 30/06/2020 JP
 (51) Int.Cl.2016.01 F 01K 17/04, F 01K 27/02, F 01K 9/00, F 28B 1/02, F 28B 9/10, F 28C 1/06
 (54) Title: GEOTHERMAL POWER PLANT
 (72) Inventors: Takahiro HID AKA ; Norihiro FUKUDA ; Shojiro SAITO ; Yasuhiko TAKAGAMI and Masanori KA WADA
 (73) Applicant(s): MITSUBISHI POWER,LTD 3-1, MINATOMIRAI 3-CHOME, NISHI-KE, YOKOHAMA-SHI, KANAGAWA 2208401 , Japan
 (74) Agent: KRYSTAL MUINDI,
 (57) A geothermal power plant according to an embodiment includes: a condenser including a cooling tube group through which cooling water for condensing exhaust steam discharged from the stream turbine flows; a dry cooling tower configured to cool the cooling water to be supplied to the condenser, the dry cooling tower including a cooled tube group through which the cooling water heated by the condenser flow; a gas extraction device configured to extract a non-condensable gas in the condenser; and a gas cooler disposed between the condenser and the gas extraction device and configured to cool the non-condensable gas extracted from the condenser. TALAL ABU-GHAZALEH GLOBAL P.O. BOX 20140-00100 NAIROBI



1.2 PCT National Phase Applications

(21) KE/23/04566 (PCT/EP2021/084987)
 (22) 09/12/2021
 (54) SUBSTITUTED PYRAZOLO PIPERIDINE CARBOXYLIC ACIDS
 (71) BAYER AKTIENGESELLSCHAFT
 (85) 07/06/2023

(54) SUBSTITUTED PYRAZOLO PIPERIDINE CARBOXYLIC ACIDS
 (71) BAYER AKTIENGESELLSCHAFT
 (85) 08/06/2023

(21) KE/23/04567 (PCT/EP2021/084991)
 (22) 09/12/2021
 (54) THE USE OF SGC ACTIVATORS FOR THE TREATMENT OF OPHTHALMOLOGIC DISEASES
 (71) BAYER AKTIENGESELLSCHAFT
 (85) 07/06/2023

(21) KE/23/04575 (PCT/US2019/035015)
 (22) 31/05/2019
 (54) SPLICING MODULATOR ANTIBODY-DRUG CONJUGATES AND METHODS OF USE
 (71) EISAI R&D MANAGEMENT CO., LTD
 (85) 07/06/2023

(21) KE/23/04570 (PCT/EP2021/084980)
 (22) 09/12/2021

(21) KE/23/04576 (PCT/US2019/035015)
 (22) 31/05/2019
 (54) SPLICING MODULATOR ANTIBODY-DRUG CONJUGATES AND METHODS OF USE

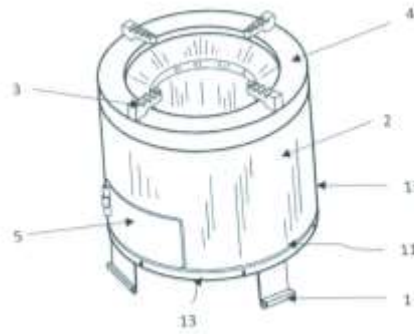
(71) EISAI R&D MANAGEMENT CO., LTD (85) 07/06/2023	(85) 13/06/2023
(21) KE/23/04578 (PCT/FR2021/052405) (22) 20/12/2021 (54) SYSTEM FOR SPRAYING A COMPOSITION OF LIVE BIOLOGICAL CONTROL AGENTS (71) BIOLINE AGROSCIENCES FRANCE	(21) KE/23/04596 (PCT/IB2021/061281) (22) 03/12/2021 (54) CLOSURE WITH TEAR-OFF SEAL (71) GUALA CLOSURES S.P.A. (85) 22/06/2023

2.0 Patents Granted under Section 45

2.1 National Patents

(11) Patent Number: KE 975 date of grant: 08/06/2023
 (21) Application Number: KE/P/2022/3992 (22) Filing Date:10/02/2022
 (30) Priority:2021/3794 02/10/2021 KE
 (73) Owner(s): PETER LYANDA SASAKA of P.O. BOX 14-50205 WEBUYE, Kenya and EUPHOBIA TURKANENSIS PROCESSORS LIMITED of P. O. BOX 14-50205 WEBUYE, Kenya
 (72) Inventor(s) PETER LYANDA SASAKA and JAMES GICHURU MWANGI
 (74) Agent/address for correspondence: FREDRICK O. OTSWONG'O FRED OTSWONG'O & IP ASSOCIATES, P. O. BOX 54708-00200, NAIROBI
 (54) Title: PROCESS OF PREPARING HERBAL COMPOSITIONS COMPRISING EUPHOBIA TURKANENSES EXTRACT FOR TREATMENT OF RESPIRATORY DISEASES.
 (51) Int.Cl.2016.01: A 61K 31/00, A 61K 39/36, A 61K 35/08
 (57) Abstract: The present invention discloses a novel composition and process for preparation of a herbal composition comprising an extract of the Euphorbia turkanensis (Emusi) plant that is useful for the treatment of respiratory diseases. The extract comprises phytochemicals such as alkaloids, saponins,phenols, steroids, terpenoids, glycosides, tannins, resins and flavonoids that have dietary and medicinal properties. Approximately 10 gms ofthe extracted is dissolved in 40% alcohol and stabilized by natural honey in a proportion of 3: 1 to produce a herbal composition that is capable of preventing or treating acute respiratory ailments including sore throat, asthma, common cold, pneumonia, cough, tuberculosis (TB), bronchiolitis and severe acute respiratory diseases such as corona virus disease 2019 (COVID-19) that is administered as 10 drops twice for 3 days.

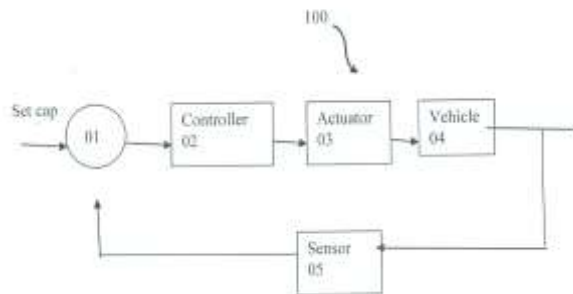
(11) Patent Number: KE 976 date of grant: 14/06/2023
 (21) Application Number: KE/P/2022/4389 (22) Filing Date:20/12/2022
 (30) Priority:2022/4340 27/09/2022 KE
 (73) Owner(s): SUNVINE AFRICA LIMITED of P.O. BOX 1416-00200 NAIROBI, Kenya
 (72) Inventor(s) ISAAC KIRAGU W
 (74) Agent/address for correspondence: FREDRICK O. OTSWONG'O FRED OTSWONG'O & IP ASSOCIATES, P. O. BOX 54708-00200, NAIROBI
 (54) Title: FIRE CHAMBER COOK STOVE
 (51) Int.Cl.2016.01: F 24C 3/08
 (57) Abstract:
 Disclosed in the invention is a fire chamber cook stove 100, comprising a steel and ceramic combustion chamber 13, three support stands 1, stainless wire mesh 6, a frame, outer body cover 2, air inlet door 5, bottom lid 10 at the base and other members. The combustion chamber outer cover 2 is attached to the top lid 4 and bottom lid 10. The top lid is manufactured from stainless steel or cast iron. On the surface of the cover, are placed sturdy ergo designed four pot support holders 3 to increase stability while cooking. The distance between the pot and the flame from the cook stove is designed to allow effective heat transfer to avoid wastage. The cast iron cover assumes a dark colour finished to suit different cook stove fuel using charcoal, wood, briquette.



.....

(11) Patent Number: KE 977 date of grant: 16/06/2023
 (21) Application Number: KE/P/2020/3601 (22) Filing Date:20/02/2020
 (30) Priority:2019/3288 30/05/2019 KE
 (73) Owner(s): TECHNICAL UNIVERSITY OF KENYA (TUK) of P.O. BOX 52428-00200, Kenya
 (72) Inventor(s) TARWISH LEMEEH CHARLES and ERIC OGUR
 (74) Agent/address for correspondence: FREDRICK O. OTSWONG'O FRED OTSWONG'O &IP ASSOCIATES, P.O. BOX 54708-00200, NAIROBI
 (54) Title: AUTOMATIC VEHICLES OVER-SPEEDING CONTROL SYSTEM
 (51) Int.Cl.2018.01: B 60K 31/00(2006.01), B 60W 30/00(2006.01)
 (57) Abstract: The present invention discloses a tamper proof system that monitors and control speed in vehicles. The system cuts off the engine power after appropriate warning and sufficient time when speed of the vehicle exceeds 10% of the set maximum speed to make a safe stop and then sends over speeding alert message to central monitoring centre. The invention is crafted to enable a vehicle power to resume immediately the system receives a confirmatory text of fine repayment. In case this system is tampered with, a message of the details ofthe car, its location, the driver, the owner and his/her address plus the operator's central fleet manager are relayed to the central traffic monitoring for over-speeding and intentions to defeat justice. The system action recorded by traffic monitors is designed to act as evidence in court against the commuter company in case of undue delays to the passengers.

Fig. 1



.....

(11): KE 978 (45): 27/06/2023 (21):2019/3328 (22):17/01/2018 (30):17153905.9 31/01/2017 EP
 (73): SICPA HOLDING SA of Avenue de Florissant 41, 1008 Prilly, Switzerland (72): MUELLER, Edgar; LOGINOV, Evgeny and SCHMID, Mathieu (74): COULSON HARNEY ADVOCATES P. O. BOX 10643-00100, Nairobi
 (54): APPARATUSES AND METHODS FOR PRODUCING OPTICAL EFFECT LAYERS
 (51) Int.Cl.2016.01: H 02K 1/00, B 05D 3/00, B 05D 5/06, B 41F 1/00, B 41M 1/00, B 42D 25/29
 (57): The present invention relates to the field of apparatuses and methods of producing optical effect layers (OEL) comprising magnetically oriented magnetic or magnetizable pigment particles. In particular, the present invention relates to apparatuses comprising a first block (A) comprising a holder (1a) having mounted thereto a stator comprising n magnet-wire coils (1 b) disposed in n annular slots of a magnetic-field-guiding stator core (1c), and a second block (B) comprising a casing (4), a rotor protection plate (2), a rotor comprising m permanent magnet poles (3a) of alternating polarity arranged around a circle in or on one side of a rotor disc (3b), and a permanent magnet assembly (PMA) (5), wherein the holder (A) is configured to be removeably fixed to a base of a rotating magnetic orienting cylinder (RMC) or a flatbed (FB) magnetic orienting printing unit and the second block (B) is removeably fixed to the first block (A).

.....

2.2 ARIPO granted Patents

(11) Patent Number: 6577 date of grant: 15/05/2023

(21) Application Number: 2019/11775 (22) Filing Date: 21/08/2017

(30) Priority:2017-021738 09/02/2017 JP and 2017-116244 13/06/2017 JP

(73) Owner(s): Mitas Medical Inc. of Aoyama Tower Place 8f, 8-4-14, Akasaka, Minato-ku, Tokyo 1070052, Japan, JP, Japan

(72) Inventor(s)

(74) Agent/Address for service: FISHER CORMACK & BOTHA, P. O. Box 74, Blantyre, MALAWI

(54) Title: EYE EXAMINATION SYSTEM

(51) Int.Cl.: A 61B 3/135

(57) Abstract: Provided is a small, light optometry system using a mobile terminal such as a smartphone or a tablet terminal. This optometry system 1 is used in combination with an information terminal having an imaging function, and provided with: a housing 2 provided with a base 2b and a fixing member 2c for fixing the position of the mobile terminal; an imaging lens 3 provided on the housing 2; a shaft member 4 rotatably provided on the base 2b of the housing 2; and a slit lamp unit 5 provided on the shaft member 4 to be rotatable about the shaft member 4. The slit lamp unit 5 is provided with a light source, a condenser lens, a filter unit, a projector lens and an illumination prism.

(11) Patent Number: 6769 date of grant: 02/05/2023

(21) Application Number: 2020/12608 (22) Filing Date: 20/02/2019

(30) Priority:1802915.7 22/02/2018 GB

(73) Owner(s): SUNPHASE AS of Tordenskiolds gate 3 N-0160 Oslo, Nowary, NO, Netherland Antilles

(72) Inventor(s)

(74) Agent/Address for service: FISHER CORMACK & BOTHA, P. O. Box 74, Blantyre, Malawi

(54) Title: SOLAR COOKING APPARATUS WITH HEAT STORAGE CAPACITY

(51) Int.Cl.: F 28D 20/02, A 47J 37/06

(57) Abstract: This invention relates to a cooking apparatus comprising a container (1) having a bottom wall (1a), side wall (1b), and an upper wall (1c) enclosing a first inner chamber (2) of the container (1), where the bottom wall (1a) and side wall (1b) of the container (1) are thermally insulating, and the upper wall (1c) is thermally insulating except for at least one planar and substantially horizontally oriented cooking zone (4) which is thermally conductive, a first phase-change material (8) located inside and substantially filling the first inner chamber (2) of the container (1), an electric resistance heating element (9) located in the first phase-change material (8) and electrically connected to a source of electric energy, and a releasable lid (7) made of a thermally insulating material adapted to cover and thermally insulate each of the at least one cooking zone (4).

(11) Patent Number: 6722 date of grant: 29/03/2023

(21) Application Number: 2020/12436 (22) Filing Date: 13/11/2018

(30) Priority:62/586,382 15/11/2017 US

(73) Owner(s): SANIVATION LLC of Suite 400 2711 Centerville Road Wilmington, Delaware 19808, United States of America, US, U.S.A.

(72) Inventor(s)

(74) Agent/Address for service: FISHER CORMACK & BOTHA, P. O. Box 74, Blantyre, Malawi

(54) Title: CONTINUOUS FLOW METHODS AND APPARATUSES FOR PROCESSING HUMAN WASTE

(51) Int.Cl.: B 09B 3/00, C 10L 5/46, C 10L 5/36

(57) Abstract: A continuous flow treatment apparatus comprises a heating fluid management portion and a feces treatment portion. The heating fluid management portion is configured to heat heating fluid and provide the heated heating fluid to a heat exchanger. The feces treatment portion comprises the heat exchanger. The heat exchanger is configured to receive feces at a first position of the heat exchanger, indirectly heat the feces via the heated heating fluid as the feces are transported from the first position to a second position of the heat exchanger, and provide the heated feces at the second position. The feces are maintained at a minimum temperature for a predetermined amount of time such that the feces exiting the feces treatment portion have been rendered sanitary for at least one of storage or further processing.

(11) Patent Number: 6772 date of grant: 03/05/2023

(21) Application Number: 2020/12723 (22) Filing Date: 06/04/2018

(30) Priority:

(73) Owner(s): NTT DOCOMO, INC. of 11-1, Nagatacho 2-chome, Chiyoda-ku, Tokyo 100-6150, Japan, JP, Japan

(72) Inventor(s)

(74) Agent/Address for service: FISHER CORMACK & BOTHA, P. O. Box 74, Blantyre, Malawi, MW

(54) Title: USER TERMINAL

(51) Int.Cl.: H 04W 52/18

(57) Abstract: The user terminal according to an embodiment of the present disclosure is characterized in having: a transmission/reception unit for transmitting and/or receiving a demodulation reference signal (DMRS) of a physical shared channel; and a control unit for determining the power of the DMRS with reference to a table defining the proportions of the energy per resource element (EPRE) of the physical shared channel and the EPRE of the DMRS to which a prescribed number of CDM groups is applied, without taking resource elements to which the DMRS is not allocated into account. According to the embodiment of the present disclosure, the same transmission power can be used for data symbols and DMRS symbols, in NR.

(11) Patent Number: 6773 date of grant: 04/05/2023

(21) Application Number: 2020/12784 (22) Filing Date: 25/04/2019

(30) Priority:62/662,296 25/04/2018 US

(73) Owner(s): DOLBY INTERNATIONAL AB of Apollo Building, 3E Herikerbergweg 1-35 1101 CN Amsterdam Zuid Oost 94103, The Netherlands, Sweden

(72) Inventor(s)

(74) Agent/Address for service: FISHER CORMACK & BOTHA, P. O. Box 74, Blantyre, Malawi, MW

(54) Title: INTEGRATION OF HIGH FREQUENCY RECONSTRUCTION TECHNIQUES WITH REDUCED POST-PROCESSING DELAY

(51) Int.Cl.: G 10L 19/18, G 10L 21/038, G 10L 21/02

(57) Abstract: A method for decoding an encoded audio bitstream is disclosed. The method includes receiving the encoded audio bitstream and decoding the audio data to generate a decoded lowband audio signal. The method further includes extracting high frequency reconstruction metadata and filtering the decoded lowband audio signal with an analysis filterbank to generate a filtered lowband audio signal. The method also includes extracting a flag indicating whether either spectral translation or harmonic transposition is to be performed on the audio data and regenerating a highband portion of the audio signal using the filtered lowband audio signal and the high frequency reconstruction metadata in accordance with the flag. The high frequency regeneration is performed as a post-processing operation with a delay of 3010 samples per audio channel.

(11) Patent Number: 6774 date of grant: 04/05/2023

(21) Application Number: 2021/12919 (22) Filing Date: 03/06/2019

(30) Priority:10 2018 114 295.1 14/06/2018 DE

(73) Owner(s): PAUL HÄŦŦŦ KG of Entenbachstr. 14, 81541 MÄ¼nchen, Germany, Germany

(72) Inventor(s)

(74) Agent/Address for service: FISHER CORMACK & BOTHA, P. O. Box 74, Blantyre, Malawi

(54) Title: APPARATUS FOR PRODUCING A FILAMENTED AUXILIARY DISCHARGE FOR AN APPARATUS FOR PRODUCING X-RADIATION AND PARTICLE RADIATION AND ALSO FOR A FUSION REACTOR WITH THE APPARATUS FOR PRODUCING X-RADIATION AND PARTICLE RADIATION AND METHOD FOR PRODUCING X-RADIATION AND PARTICLE RADIATION

(51) Int.Cl.: H 05G 2/00, H 05H 1/48

(57) Abstract: The present application relates to an apparatus for producing x-radiation and particle radiation by means of nuclear fusion, comprising: an anode (14) and a cathode (12), which are separated from one another by an insulator (16) and are arranged coaxially in relation to one another, wherein the anode (14) and the cathode (12) are arranged at least partially in a reactor chamber and the cathode (12) has a plurality of cathode electrodes (12); a pre-discharging device for producing a pre-discharge, which forms a low-resistance bypass by way of the insulator (16); a gas, which is contained in the reaction chamber; an electrical pre-discharge source, in particular with high internal resistance, which is connected to the pre-discharging device; and an electrical discharge source, which is electrically connected to the enclosed anode (14) and the cathode (12), wherein a dense, magnetically enclosed plasmoid is produced ahead of anode (14) as the result of an electrical discharge from the electrical discharge source and emits one or more ion beams, one or more x-ray beams or combinations thereof.

(11) Patent Number: 6776 date of grant: 08/05/2023

(21) Application Number: AP/P/2018/010814 (22) Filing Date: 21/11/2016

(30) Priority:2015/08575 20/11/2015 ZA

(73) Owner(s): WATER RESEARCH COMMISSION of Lynnwood Bridge Office Park, Bloukrans Building 4 Daventry Street, Lynnwood Manor, 0081 Pretoria, South Africa, South Africa

(72) Inventor(s)

(74) Agent/Address for service: HONEY & BLANCKENBERG, 200 Herbert Chitepo Avenue, Harare, ZIMBABWE ,

(54) Title: MICROFILTRATION ASSEMBLY AND METHOD OF MANUFACTURE

(51) Int.Cl.: B 01D 61/14, B 01D 61/18, B 01D 65/00, B 01D 63/14, B 01D 63/10

(57) Abstract: A microfiltration filter, an assembly containing such a filter and a method of manufacturing such a filter is provided. In one embodiment the method comprises folding a sheet of woven fibre filtration material onto itself, thereby providing an elongate double sheet of filtration material having two substantially parallel planar sides with aligned edges. The double sheet has open and blind long edges and two short opposing open edges. The method includes positioning an elongate collection manifold between the sides at least partway along and at or near the blind edge, providing a fluid outlet in at least one of the sides wherein the fluid outlet is in fluid communication with an interior of the collection manifold. The method further includes sealing the open long edge and short edges of the double sheet to form a liquid impervious seal and a planar, elongate collection chamber between the sides, and folding the elongate collection chamber across the long edges to create a filter with multiple adjacent layers of the planar, elongate collection chamber.

(11) Patent Number: 6778 date of grant: 08/05/2023

(21) Application Number: 2019/11679 (22) Filing Date: 20/12/2017

(30) Priority:201621044139 23/12/2016 IN

(73) Owner(s): SERUM INSTITUTE OF INDIA PRIVATE LIMITED of 212/2, Off Soli Poonawalla Road, Hadapsar, Pune, 411 028, Maharashtra, India, IN, India

(72) Inventor(s)

(74) Agent/Address for service: ADAMS AND ADAMS MOZAMBIQUE, Rua Estevão Ata-de, #20, R/C Bairro da Sommerschild, Maputo, Mozambique, MZ

(54) Title: IMPROVED METHODS FOR ENHANCING ANTIBODY PRODUCTIVITY IN MAMMALIAN CELL CULTURE AND MINIMIZING AGGREGATION DURING DOWNSTREAM, FORMULATION PROCESSES AND STABLE ANTIBODY FORMULATIONS OBTAINED THEREOF

(51) Int.Cl.: C 07K 16/00, C 07K 16/10, A 61K 39/395

(57) Abstract: The invention, describes an efficient platform for antibody manufacturing and formulation, that provides i) cell culture process with improved feeding strategy resulting in high antibody titer between 2 gm/L to 5 gm/L; ii) improved purification process showing optimal percentage recovery, high purity monomer content, minimum aggregation/particulate formation, minimum impurity levels; and iii) high concentration stable liquid formulation with optimal osmolality and low viscosity across different temperature excursions and devoid of aggregation. The preferred antibodies include IgG1 monoclonal antibody specific to the Dengue virus epitope in domain III of the E protein and IgG1 monoclonal antibody specific to the rabies virus surface G glycoprotein

(11) Patent Number: 6779 date of grant: 08/05/2023

(21) Application Number: 2020/12532 (22) Filing Date: 15/02/2019

(30) Priority:62/631,659 17/02/2018 US; 62/671,576 15/05/2018 US; 62/721,113 22/08/2018 US and 62/778,002 11/12/2018 US

(73) Owner(s): ASTRAZENECA AB of 151 85, Sodertalje, Sweden, SE, Sweden

(72) Inventor(s)

(74) Agent/Address for service: ADAMS AND ADAMS MOZAMBIQUE, Rua Estevão Ata-de, #20, R/C, Bairro da Sommerschild, Maputo, Mozambique, MZ

(54) Title: ARGINASE INHIBITORS AND METHODS OF USE THEREOF

(51) Int.Cl.: C 07F 5/02, A 61K 31/69, A 61P 35/00, A 61P 29/00

(57) Abstract: Disclosed are compounds of formula (Ia) or a pharmaceutically acceptable salt thereof, pharmaceutical compositions comprising compounds of formula (Ia) and methods of using the same for treating cancer or a respiratory inflammatory disease and inhibiting arginase, wherein R

(11) Patent Number: 6808 date of grant: 30/05/2023

(21) Application Number: 2019/11504 (22) Filing Date: 18/10/2017

(30) Priority:15/617,848 08/06/2017 US and 62/410,057 19/10/2016 US

(73) Owner(s): HARRISON Joe Louis of 405 Harbison Boulevard, Apartment 616, Columbia, South Carolina 29212, United States of America, U.S.A.

(72) Inventor(s)

(74) Agent/Address for service: SAMURIWO ATTORNEYS, 2nd Floor, Block 6, Celestial Office Park, Borrowdale, Harare, Zimbabwe

(54) Title: NESTED LINER ASSEMBLY FOR A TRASH RECEPTACLE WITH LID

(51) Int.Cl.: B 65F 1/06, B 65F 1/16, B 65F 1/14

(57) Abstract: A nested liner assembly includes a plurality of nested plastic film liners held by a lifter placed inside an insert fitted to the rim of a trash receptacle. The trash receptacle may have a hinged lid. The insert is adjacent the rim except near the hinge of the receptacle's lid where it extends on the outside of the receptacle below the lid and around the hinge. The two ends of the insert may be fastened together below the hinge to hold the insert in position without interfering with the operation of the lid. The lifter rests in a

channel formed in the insert where the insert holds the liners open for use. The nested liners extend through the lifter and are held in place by a plurality of fasteners on the exterior surface of the lifter.

(11) Patent Number: 6797 date of grant: 16/05/2023

(21) Application Number: 2019/11572 (22) Filing Date: 21/08/2017

(30) Priority:1614196.2 19/08/2016 GB and 1706795.0 28/04/2017 GB

(73) Owner(s): TREVELYAN TRADING LTD of Brunel House, 340 Firecrest Court, Centre Park, Warrington Cheshire WA1 1RG, United Kingdom, United Kingdom

(72) Inventor(s)

(74) Agent/Address for service: ROLAND INTELLECTUAL PROPERTY CONSULTANTS, 3 Maritz Street, Windhoek, P. O. Box 91198, WINDHOEK, Namibia

(54) Title: A DRAIN APPARATUS FOR A SUBSEA PIPELINE

(51) Int.Cl.: B 01D 17/00, B 01D 19/00, E 21B 43/36

(57) Abstract: The present invention provides a drain apparatus (200) for use in a subsea pipeline to remove liquid from a multiphase flow in the subsea pipeline. The drain apparatus comprises a first channel (20) for carrying a multiphase flow comprising liquid and gas phases; and liquid extraction means (11, 12, 14, 18) for extracting the liquid phase from the multiphase flow in the first channel (20). The internal diameter of the first channel (20) is substantially the same as an internal diameter of a subsea pipe arranged to carry the multiphase flow in the subsea pipeline, such that a pig travelling along the subsea pipe can pass through the first channel (20). The present invention also provides a subsea pipeline comprising a subsea pipe for transporting a multiphase flow subsea; and at least one drain. The at least one drain is disposed partway along a gradient in the subsea pipe to reduce liquid holdup.

(11) Patent Number: 6789 date of grant: 16/05/2023

(21) Application Number: 2020/12408 (22) Filing Date: 13/11/2018

(30) Priority:62/589,244 21/11/2017 US

(73) Owner(s): ELI LILLY AND COMPANY of Lilly Corporate Center, Indianapolis, Indiana 46285, United States of America, US, U.S.A.

(72) Inventor(s)

(74) Agent/Address for service: ADAMS AND ADAMS MOZAMBIQUE, Rua Estevão Ata-de, #20, R/C Bairro da Sommerschild, Maputo, Mozambique

(54) Title: METHODS OF USING AND COMPOSITIONS CONTAINING DULAGLUTIDE

(51) Int.Cl.: A 61K 38/26, A 61P 3/10

(57) Abstract: The present invention relates to methods of using new doses of dulaglutide and compositions containing such higher doses of dulaglutide.

(11) Patent Number: 6780 date of grant: 08/05/2023

(21) Application Number: 2020/12837 (22) Filing Date: 14/06/2019

(30) Priority:62/688,632 22/06/2018 US

(73) Owner(s): ELI LILLY AND COMPANY of Lilly Corporate Center, Indianapolis, Indiana 46285, United States of America, US, U.S.A.

(72) Inventor(s)

(74) Agent/Address for service: ADAMS AND ADAMS MOZAMBIQUE, Rua Estevão Ata-de, #20, R/C Bairro da Sommerschild, Maputo, Mozambique, MZ

(54) Title: GIP/GLP1 AGONIST COMPOSITIONS

(51) Int.Cl.: A 61K 38/00, A 61K 38/16, A 61K 47/02, A 61K 47/10, A 61P 3/10

(57) Abstract: A composition of tirzepatide, comprising an agent selected from NaCl and propylene glycol; and dibasic sodium phosphate is provided.

(11) Patent Number: 6781 date of grant: 08/05/2023

(21) Application Number: 2020/12854 (22) Filing Date: 21/05/2019

(30) Priority:62/674,865 22/05/2018 US

(73) Owner(s): IONIS PHARMACEUTICALS, INC. of 2855 Gazelle Court, Carlsbad, CA 92010, United States of America, US, U.S.A.

(72) Inventor(s)

(74) Agent/Address for service: ADAMS AND ADAMS MOZAMBIQUE, Rua Estevão Ata-de, #20, R/C, Bairro da Sommerschild, Maputo, Mozambique, MZ

(54) Title: MODULATORS OF APOL1 EXPRESSION

(51) Int.Cl.: C 07H 21/02, A 61K 48/00

(57) Abstract: The present embodiments provide methods, compounds, and compositions useful for inhibiting APOL1 expression, which may be useful for treating, preventing, or ameliorating a disease associated with APOL1.

(11) Patent Number: 6782 date of grant: 08/05/2023
(21) Application Number: 2021/13034 (22) Filing Date: 14/11/2018
(30) Priority:
(73) Owner(s): NOKIA TECHNOLOGIES OY of Karakaari 7, 02610 Espoo, Finland, FI, Finland
(72) Inventor(s)
(74) Agent/Address for service: GALLOWAY & COMPANY, P. O. Box A761, Avondale, Harare, Zimbabwe
(54) Title: APPARATUS, METHOD AND COMPUTER PROGRAM FOR CONNECTION MANAGEMENT
(51) Int.Cl.: H 04W 76/27, H 04W 76/19
(57) Abstract: An apparatus comprising: at least one processor; and at least one memory including computer program code; the at least one memory and the computer program code configured to, with the at least one processor, cause the apparatus to: receive (602) a fallback indication from a radio resource control layer; invoke (604) a service request procedure; and set (606, 608) at least one of a service type information element and an uplink data status information element in a service request message.

(11) Patent Number: 6791 date of grant: 16/05/2023
(21) Application Number: 2020/12473 (22) Filing Date: 13/11/2018
(30) Priority: 201711040533 14/11/2017 IN
(73) Owner(s): COUNCIL OF SCIENTIFIC & INDUSTRIAL RESEARCH of Anusandhan Bhawan, 2, Rafi Marg New Delhi Delhi 110 001, India, IN, India
(72) Inventor(s)

(74) Agent/Address for service: FISHER CORMACK & BOTHA, P. O. Box 74, Blantyre, Malawi, MW
(54) Title: A PROCESS LEADING TO ZERO WATER DISCHARGE IN POST TANNING OPERATIONS
(51) Int.Cl.: C 02F 1/32, C 02F 1/467, C 02F 1/72, C 02F 9/08, C 02F 103/24, C 02F 9/02, C 02F 9/04, C 02F 1/78

(57) Abstract: In the present invention, the waste streams from the unit processes of post tanning operations are segregated and screened for removing gross solids. They are then treated by electro-oxidation with or without UV treatment. The treated sectional streams are reused for appropriate unit process. The reuse can be carried out continuously to attain zero wastewater discharge in post tanning operations.

(11) Patent Number: 6792 date of grant: 16/05/2023
(21) Application Number: 2020/12683 (22) Filing Date: 04/01/2019
(30) Priority: 62/654,286 06/04/2018 US
(73) Owner(s): TELEFONAKTIEBOLAGET LM ERICSSON (PUBL) of SE-164 83 Stockholm, Sweden, Sweden
(72) Inventor(s)

(74) Agent/Address for service: FISHER CORMACK & BOTHA, P. O. Box 74, Blantyre, Malawi, MW
(54) Title: POWER CONTROL FOR NEW RADIO UPLINK SINGLE-USER MULTIPLE-INPUT-MULTIPLE- OUTPUT COMMUNICATION

(51) Int.Cl.: H 04B 7/0426, H 04W 52/04

(57) Abstract: Systems and methods are disclosed herein for determining a power to be used for a set of antenna ports for a physical uplink shared channel transmission. In some embodiments, a User Equipment (UE) comprises processing circuitry configured to derive a power P to be used for uplink power control for a physical uplink shared channel transmission and determine a power to be used for a set of antenna ports based on the power P according to a rule that depends on whether the UE is utilizing codebook based transmission or non-codebook based transmission for the physical uplink shared channel transmission. The set of antenna ports is antenna ports on which the physical uplink shared channel transmission is transmitted with non-zero power.

(11) Patent Number: 6793 date of grant: 16/05/2023
(21) Application Number: 2021/12922 (22) Filing Date: 12/05/2015
(30) Priority: 10-2015-0059648 28/04/2015 KR
(73) Owner(s): CAREGEN CO.,LTD. of 46-38, LS-ro 91beon-gil, Dongan-gu, Anyang-si, Gyeonggi-do, 431-848, Republic of Korea, KR, Rep.of Korea
(72) Inventor(s)

(74) Agent/Address for service: ADAMS AND ADAMS MOZAMBIQUE, Rua Estevão Ata-de, #20, R/C Bairro da Sommerschild, Maputo, Mozambique

(54) Title: PEPTIDE WITH ANTI-OBESITY AND ANTI-DIABETES ACTIVITY AND USE THEREOF

(51) Int.Cl.: C 07K 7/06, A 61K 38/08

(57) Abstract: A peptide and a peptide complex of the present invention exhibit an anti-obesity effect by inhibiting fat accumulation and decomposing already accumulated fat, and exhibit an excellent effect with respect to diabetes by effectively reducing blood sugar. The peptide and the peptide complex of the present invention decrease the expression of PPAR γ ³, ACC, and aP2, which are adipogenic markers, increase the expression of pHSL, AMPK- β ¹, CGI-58, and ATGL, which are lipolytic factors, and reduce the size of fat cells

and blood cholesterol values. The peptide and the peptide complex of the present invention, which have excellent activity and safety, can be advantageously applied to drugs and quasi-drugs.

(11) Patent Number: 6794 date of grant: 16/05/2023

(21) Application Number: 2021/12923 (22) Filing Date: 12/05/2015

(30) Priority:10-2015-0059648 28/04/2015 KR

(73) Owner(s): CAREGEN CO.,LTD. of 46-38, LS-ro 91beon-gil, Dongan-gu, Anyang-si, Gyeonggi-do, 431-848, Republic of Korea, KR, Rep.of Korea

(72) Inventor(s)

(74) Agent/Address for service: ADAMS AND ADAMS MOZAMBIQUE, Rua Estevão Ata-de, #20, R/C Bairro da Sommerschild, Maputo, Mozambique

(54) Title: PEPTIDE WITH ANTI-OBESITY AND ANTI-DIABETES ACTIVITY AND USE THEREOF

(51) Int.Cl.: C 07K 7/06, A 61K 38/08

(57) Abstract: A peptide and a peptide complex of the present invention exhibit an anti-obesity effect by inhibiting fat accumulation and decomposing already accumulated fat, and exhibit an excellent effect with respect to diabetes by effectively reducing blood sugar. The peptide and the peptide complex of the present invention decrease the expression of PPAR α , ACC, and aP2, which are adipogenic markers, increase the expression of pHSL, AMPK- α 1, CGI-58, and ATGL, which are lipolytic factors, and reduce the size of fat cells and blood cholesterol values. The peptide and the peptide complex of the present invention, which have excellent activity and safety, can be advantageously applied to drugs and quasi-drugs.

(11) Patent Number: 6795 date of grant: 16/05/2023

(21) Application Number: 2021/13007 (22) Filing Date: 23/07/2019

(30) Priority:PCT/JP2018/032485 31/08/2018 JP

(73) Owner(s): YAMAHA HATSUDOKI KABUSHIKI KAISHA of 2500 Shingai, Iwata-shi, Shizuoka 4388501, Japan, JP, Japan

(72) Inventor(s)

(74) Agent/Address for service: ROLAND INTELLECTUAL PROPERTY CONSULTANTS, 3 Maritz Street, Windhoek, P. O. Box 91198, WINDHOEK, Namibia

(54) Title: INDICATOR DATA OUTPUTTING DEVICE AND INDICATOR DATA OUTPUTTING METHOD

(51) Int.Cl.: G 01M 17/007

(57) Abstract: Provided is an indicator data outputting device that suppresses increases in the data processing load thereof but that also makes it possible to notify a user of maintenance-related circumstances before notification that it is time for maintenance is given. According to the present invention, on the basis of vehicle usage amount data acquired by a vehicle usage amount data acquisition part, an indicator data updating part acquires difference indicator data for a vehicle specified by vehicle specifying data acquired by the vehicle usage amount data acquisition part. The difference indicator data is the amount that indicator data will increase on the basis of the

(11) Patent Number: 6796 date of grant: 16/05/2023

(21) Application Number: 2021/13125 (22) Filing Date: 24/09/2019

(30) Priority:201811118443.5 25/09/2018 CN

(73) Owner(s): SHARP KABUSHIKI KAISHA of 1, Takumi-cho, Sakai-ku, Sakai City, Osaka 590-8522, Japan, JP, Japan

(72) Inventor(s)

(74) Agent/Address for service: FISHER CORMACK & BOTHA, P. O. Box 74, Blantyre Malawi

(54) Title: METHOD PERFORMED BY USER EQUIPMENT, AND USER EQUIPMENT

(51) Int.Cl.: H 04W 24/02

(57) Abstract: The present invention provides a method executed by user device, comprising: acquiring parameters related to paging from a base station, wherein the parameters related to paging include information related to configuration parameters of the paging search space; determining the association mode for mapping the physical downlink control channel PDCCH monitoring opportunity in the paging search space to the paging PDCCH monitoring opportunity according to the information related to configuration parameters of the paging search space, wherein in the case where the information indicates that the configuration parameters of the paging search space are configured and the search space indicated by the configuration parameters of the paging search space is not a type 0-PDCCH common search space, the non-default association method is used, and in the case where the information indicates that the configuration parameters of the paging search space are not configured, or the information related to the configuration parameters of the paging search space indicates that the configuration parameters of the paging search space are configured and the search space indicated by the configuration parameters of the paging search space is a type 0-PDCCH common search space, the default association method is used.

(11) Patent Number: 6797 date of grant: 18/05/2023
 (21) Application Number: 2019/11758 (22) Filing Date: 21/12/2017
 (30) Priority:00164/17 13/02/2017 CH
 (73) Owner(s): HOFFMANN, Andr   of La Massellaz 3, chemin du Village 1126 Vaux-sur-Morges, Switzerland, +41, Switzerland; USTINOV, Jihan of C  tes de Montmoiret 5, 1012 Lausanne, Switzerland, +41, Switzerland and USTINOV, Igor of C  tes de Montmoiret 5, 1012 Lausanne, Switzerland, +41, Switzerland
 (72) Inventor(s)
 (74) Agent/Address for service: FISHER CORMACK & BOTHA, P .O. Box 74, Blantyre, MALAWI, MW
 (54) Title: CONSTRUCTION SYSTEM FOR BUILDING A MODULE OF A DWELLING
 (51) Int.Cl.: E 04B 1/24, E 04B 1/58, E 04B 1/343, E 04B 1/28
 (57) Abstract: A construction system for building a module of a dwelling the main elements of which are made of plastic comprises a set of hollow profiled beams (1, 1') of elongate rectilinear shape, of type 1 and type 2. The beams (1, 1') comprise, at each end (5, 5'), a transverse passage opening (6, 6'). The transverse passage opening (6) of a type-1 beam (1) fits into the transverse passage opening (6') of a type-2 beam (1') when the two beams (1, 1') are assembled end to end at right angles leaving a passage opening (6, 6') between the two ends (5, 5') of the beams (1, 1'). Two type-1 beams (1) can be assembled with two type-2 beams (1') to form a rectangular frame. The system further comprises a set of corner assembly elements (2, 2'), each assembly element (2, 2') comprising a body intended to pass through the transverse passage opening (6, 6') of the type-1 and type-2 beams (1, 1'). The system also comprises a set of panels (3) that can be assembled between two assembled type-1 beams (1) or two type-2 beams (1') assembled as a rectangular frame, and a set of posts (11) of rectangular hollow section, the hollow ends of which fit onto a corner assembly element (2, 2') of a rectangular frame formed of type-1 and type-2 beams (1, 1') so as to form a three-dimensional framework. The posts (11) comprise longitudinal slots or rails (8) on two adjacent surfaces, so as to accept other panels (3') between the posts (11) during assembly. Each hollow profiled beam (1, 1') comprises, along an upper surface, spaced-apart slots or rails (8) intended to accept said other panels (3').

(11) Patent Number: 6800 date of grant: 18/05/2023
 (21) Application Number: 2020/12367 (22) Filing Date: 31/10/2018
 (30) Priority:62/580,398 01/11/2017 US; 62/646,739 22/03/2018 US and 62/679,549 01/06/2018 US
 (73) Owner(s): ARROWHEAD PHARMACEUTICALS, INC. of 177 East Colorado Boulevard, Suite 700, Pasadena, CA 91105, United States of America, US, U.S.A.
 (72) Inventor(s)
 (74) Agent/Address for service: ADAMS AND ADAMS MOZAMBIQUE, Rua Estev  o Ata  de, #20, R/C, Bairro da, Maputo, Mozambique
 (54) Title: INTEGRIN LIGANDS AND USES THEREOF
 (51) Int.Cl.: C 12N 15/11, C 12N 15/09, C 12N 15/113, A 61K 31/713, A 61K 31/7088, A 61K 48/00
 (57) Abstract: Synthetic $\alpha_5\beta_1$ integrin ligands of Formula I having serum stability and affinity for integrin $\alpha_5\beta_1$, which is a receptor expressed in a variety of cell types, are described. The described ligands are useful for delivering cargo molecules, such as RNAi agents or other oligonucleotide- based compounds, to cells that express integrin $\alpha_5\beta_1$, and thereby facilitating the uptake of the cargo molecules into these cells. Compositions that include $\alpha_5\beta_1$ integrin ligands and methods of use are also described.

11) Patent Number: 6801 date of grant: 18/05/2023
 (21) Application Number: 2021/13462 (22) Filing Date: 17/12/2019
 (30) Priority:102019000002385 19/02/2019 IT
 (73) Owner(s): ENERGY DOME S.P.A. of Viale Abruzzi 94 I-20131 Milano, Italy, IT, Italy
 (72) Inventor(s)
 (74) Agent/Address for service: FISHER CORMACK & BOTHA, P. O. Box 74, Blantyre, Malawi
 (54) Title: ENERGY STORAGE PLANT AND PROCESS
 (51) Int.Cl.: F 01K 25/10, F 01K 3/00, F 01K 3/02, F 01K 3/18, F 01K 9/00, F 01K 7/34, F 03D 9/17, F 03D 9/18
 (57) Abstract: An energy storage plant (1) comprises a casing (5) for the storage of a working fluid other than atmospheric air, in a gaseous phase and in equilibrium of pressure with the atmosphere; a tank (9) for the storage of said working fluid in a liquid or supercritical phase with a temperature close to the critical temperature; wherein said critical temperature is close to the ambient temperature. The plant (1) is configured to carry out a closed thermodynamic cyclic transformation (TTC), first in one direction in a charge configuration and then in the opposite direction in a discharge configuration, between said casing (5) and said tank (9); wherein in the charge configuration the plant (1) stores heat and pressure and in the discharge configuration generates energy.

(11) Patent Number: 6803 date of grant: 23/05/2023
 (21) Application Number: 2020/12643 (22) Filing Date: 26/02/2018
 (30) Priority:

(73) Owner(s): NTT DOCOMO, INC. of 11-1, Nagatacho 2-chome, Chiyoda-ku, Tokyo 100-6150, Japan, JP, Japan

(72) Inventor(s)

(74) Agent/Address for service: FISHER CORMACK & BOTHA, P. O. Box 74, Blantyre, Malawi

(54) Title: USER TERMINAL AND RADIO COMMUNICATION METHOD

(51) Int.Cl.: H 04W 28/04, H 04W 72/12, H 04W 72/04

(57) Abstract: In order to appropriately transmit uplink control channels in future wireless communications systems, this user terminal has a reception unit that receives at least one downlink allocation and at least one downlink shared channel scheduled to the at least one downlink allocation and a control unit that controls the transmission of a delivery confirmation signal using at least one out of an uplink control channel format and delivery confirmation signal mapping, which are associated to at least one out of: whether or not use of a dynamic delivery confirmation signal code book is set for the at least one downlink shared channel; the number of bits in the delivery confirmation signal for the at least one downlink shared channel; whether or not the at least one downlink allocation is sent using one frequency resource; and the number of code words for each downlink shared channel.

(11) Patent Number: 6805 date of grant: 23/05/2023

(21) Application Number: 2021/13288 (22) Filing Date: 04/05/2015

(30) Priority:14001603.1 07/05/2014 EP

(73) Owner(s): BOEHRINGER INGELHEIM INTERNATIONAL GMBH of Binger Strasse 173, 55216 Ingelheim am Rhein, Germany, DE, Germany

(72) Inventor(s)

(74) Agent/Address for service: CronjÄ© & Co., 1, Charles Cathral Street, Olympia, Windhoek, Namibia, NA

(54) Title: NEBULIZER, INDICATOR DEVICE AND CONTAINER

(51) Int.Cl.: B 05B 11/00, G 06M 1/02, A 61M 11/00, A 61M 15/00

(57) Abstract: A nebulizer (1) as well as a container (3) with a fluid (2) and an indicator device (25) for such a nebulizer are proposed. The indicator device stops further use of the container in a locked state when a predetermined number of uses has been reached or exceeded. Then, the nebulizer is partially opened and blocked against further use. After replacement of the container including the indicator device, the nebulizer can be used again.

(11) Patent Number: 6806 date of grant: 24/05/2023

(21) Application Number: 2020/12566 (22) Filing Date: 08/01/2019

(30) Priority:62/614,952 08/01/2018 US; 62/679,575 01/06/2018 US and 62/788,017 03/01/2019 US

(73) Owner(s): G1 THERAPEUTICS, INC. of 700 Park Offices Drive, Suite 200 Research Triangle Park, NC 27709, United States of America, US, U.S.A.

(72) Inventor(s)

(74) Agent/Address for service: FISHER CORMACK & BOTHA, P. O. Box 74, Blantyre, Malawi, MW

(54) Title: G1T38 SUPERIOR DOSAGE REGIMES

(51) Int.Cl.: G 06N 7/00

(57) Abstract: A G1T38 human oral dosage regime that provides a (mean AUC(0-24),ss (h*ng/mL)) / (dose (mg)) ratio of less than 5 and/or a (mean AUC(0-24),ss (h*ng/mL)) / (Absolute Neutrophil Count (cells/mm3)) ratio on day 22 of closing of not greater than 1.25.

vehicle usage amount data. On the basis of the difference indicator data, the indicator data updating part updates indicator data that is for the vehicle specified by the vehicle specifying data acquired by the vehicle usage amount data acquisition part and that is stored by an indicator data storage part. The indicator data increases as a result of the vehicle usage amount data increasing.

(11) Patent Number: 6818 date of grant: 31/05/2023

(21) Application Number: 2021/13354 (22) Filing Date: 12/04/2019

(30) Priority:62/805,128 13/02/2019 US

(73) Owner(s): TELEFONAKTIEBOLAGET LM ERICSSON (PUBL) of SE-164 83 Stockholm, Sweden, Sweden

(72) Inventor(s)

(74) Agent/Address for service: ROLAND INTELLECTUAL PROPERTY CONSULTANTS, 3 Maritz Street, Windhoek, P. O. Box 91198, Windhoek, Namibia

(54) Title: SECONDARY AUTHORIZATION AT PDU SESSION ESTABLISHMENT FOR HOME ROUTED ROAMING

(51) Int.Cl.: H 04W 40/02

(57) Abstract: Exemplary embodiments include a method, performed by a session management function (V-SMF) of a visited public land mobile network (VPLMN), for establishing a user-requested PDU session to be routed through the user's home PLMN (HPLMN). Such embodiments include receiving, from an access management function (AMF) in the HPLMN, a first request to establish a home-routed PDU session, wherein the first request identifies an SMF (H-SMF) in the HPLMN. Such embodiments also include sending, to the H-SMF, a

second request to create the home-routed PDU session. The second request can include an identifier of a resource in the V-SMF associated with the PDU session; and one or more indicators of whether the V-SMF supports respective one or more features related to receiving, from the H-SMF, an identifier of a resource in the H-SMF that is associated with the PDU session. Embodiments also include complementary methods performed by the H-SMF.

3.0 Patents Renewed under Section 61

3.1 National Patents

(11)/(21) 719(KE/P/2008/833)
 (71) REGENERON PHARMACEUTICALS, INC
 (24) Registration/application extended up to:
 1/6/2024

(11)/(21) 530(KE/P/2008/848)
 (71) ABLOY OY
 (24) Registration/application extended up to:
 11/6/2024

(11)/(21) 539(KE/P/2008/850)
 (71) BAYER PHARMA AKTIENGESELLSCHAFTBayer
 Intellectual Property GmbH
 (24) Registration/application extended up to:
 29/6/2024

(11)/(21) 440(KE/P/2009/869)
 (71) Nokia Technologies Oy
 (24) Registration/application extended up to:
 20/7/2024

(11)/(21) (KE/P/2009/948)
 (71) DURA-LINE INDIA PVT. LTD
 (24) Registration/application extended up to:
 6/6/2024

(11)/(21) 656(KE/P/2010/1094)
 (71) Bayer Pharma Aktiengesellschaft
 (24) Registration/application extended up to:
 9/12/2023

(11)/(21) 831(KE/P/2012/1477)
 (71) ISHIHARA SANGYO KAISHA, LTD.
 (24) Registration/application extended up to:
 6/7/2024

(11)/(21) 544(KE/P/2012/1493)
 (71) SYNGENTA PARTICIPATIONS AG
 (24) Registration/application extended up to:
 07/07/2024

(11)/(21) (KE/P/2012/1505)
 (71) MERRIMACK PHARMACEUTICALS, INC
 (24) Registration/application extended up to:
 23/8/2024

(11)/(21) 696(KE/P/2012/1547)
 (71) Bayer Intellectual Property GmbH
 (24) Registration/application extended up to:
 29/6/2024

(11)/(21) 718(KE/P/2013/1739)
 (71) SAMSUNG ELECTRONICS CO., LTD

(24) Registration/application extended up to:
 15/7/2024

(11)/(21) 877(KE/P/2013/1774)
 (71) FUJI ELECTRIC CO., LTD.
 (24) Registration/application extended up to:
 13/7/2024

(11)/(21) 856(KE/P/2013/1969)
 (71) REGENERON PHARMACEUTICALS, INC
 (24) Registration/application extended up to:
 14/6/2024

(11)/(21) 735(KE/P/2013/1979)
 (71) NOVOZYMES A/S
 (24) Registration/application extended up to:
 29/6/2024

(11)/(21) 818(KE/P/2014/2188)
 (71) ISHIHARA SANGYO KAISHA, LTD.
 (24) Registration/application extended up to:
 7/2/2024

(11)/(21) 838(KE/P/2015/2366)
 (71) SICPA HOLDING SA
 (24) Registration/application extended up to:
 13/6/2024

(11)/(21) 764(KE/P/2015/2241)
 (71) MASINDE MULIRO UNIVERSITY OF SCIENCE AND
 TECHNOLOGY
 (24) Registration/application extended up to:
 24/04/2023

(11)/(21) 764(KE/P/2015/2241)
 (71) MASINDE MULIRO UNIVERSITY OF SCIENCE AND
 TECHNOLOGY
 (24) Registration/application extended up to:
 24/04/2024

(11)/(21) 842(KE/P/2017/2769)
 (71) AKUON PETER ODERO
 (24) Registration/application extended up to:
 12/4/2024

(11)/(21) 811(KE/P/2018/2775)
 (71) KENYA ELECTRICITY GENERATING COMPANY
 LTD

(24) Registration/application extended up to:
10/01/2024
.....
(11)/(21) (KE/P/2019/3201)
(71) JONES OYUGI GETEMBE
(24) Registration/application extended up to:
01/03/2023
.....
(11)/(21) (KE/P/2019/3201)
(71) JONES OYUGI GETEMBE
(24) Registration/application extended up to:
01/03/2022
.....
(11)/(21) (KE/P/2019/3201)
(71) JONES OYUGI GETEMBE
(24) Registration/application extended up to:
01/03/2024
.....
(11)/(21) (KE/P/2019/3201)
(71) JONES OYUGI GETEMBE
(24) Registration/application extended up to:
01/03/2021
.....
(11)/(21) (KE/P/2020/3715)
(71) MASINDE MULIRO UNIVERSITY OF SCIENCE AND
TECHNOLOGY Maurice Vincent Omolo
(24) Registration/application extended up to:
27/8/2023
.....
(11)/(21) (KE/P/2020/3715)
(71) MASINDE MULIRO UNIVERSITY OF SCIENCE AND
TECHNOLOGY Maurice Vincent Omolo
(24) Registration/application extended up to:
27/8/2025
.....
(11)/(21) (KE/P/2020/3715)
(71) MASINDE MULIRO UNIVERSITY OF SCIENCE AND
TECHNOLOGY Maurice Vincent Omolo
(24) Registration/application extended up to:
27/8/2024
.....
(11)/(21) 941(KE/P/2020/3774)
(71) MASINDE MULIRO UNIVERSITY OF SCIENCE AND
TECHNOLOGY
(24) Registration/application extended up to:
30/12/2023
.....
(11)/(21) 941(KE/P/2020/3774)
(71) MASINDE MULIRO UNIVERSITY OF SCIENCE AND
TECHNOLOGY
(24) Registration/application extended up to:
30/12/2024
.....

(11)/(21) 941(KE/P/2020/3774)
(71) MASINDE MULIRO UNIVERSITY OF SCIENCE AND
TECHNOLOGY
(24) Registration/application extended up to:
30/12/2022
.....
(11)/(21) (KE/P/2021/3851)
(71) MITSUBISHI POWER,LTD
(24) Registration/application extended up to:
15/06/2024
.....
(11)/(21) (KE/P/2021/3938)
(71) DOUGLAS MAINA MUHORO
(24) Registration/application extended up to:
17/11/2024
.....
(11)/(21) (KE/P/2021/3938)
(71) DOUGLAS MAINA MUHORO
(24) Registration/application extended up to:
17/11/2023
.....
(11)/(21) (KE/P/2022/4239)
(71) ONYANGO MARY ATIENO
(24) Registration/application extended up to:
13/05/2024
.....
(11)/(21) (KE/P/2022/4281)
(71) VFORM TECHNOPACK PRIVATE LIMITED
(24) Registration/application extended up to:
3/6/2024
.....
(11)/(21) (KE/P/2022/4307)
(71) U-PARTS, INC.
(24) Registration/application extended up to:
7/7/2024
(11)/(21) (KE/P/2015/2373)
(71) NEC CORPORATION
(24) Registration/application extended up to:
28/9/2024
.....
(11)/(21) 875(KE/P/2016/2435)
(71) TOTAL E&P DANMARK A/S
(24) Registration/application extended up to:
17/7/2024
.....
(11)/(21) 796(KE/P/2016/2465)
(71) SAMSUNG ELECTRONICS CO., LIMITED
(24) Registration/application extended up to:
15/7/2024
.....
(11)/(21) (KE/P/2017/2660)
(71) GUANGDONG OPPO MOBILE
TELECOMMUNICATIONS CORP., LTD
(24) Registration/application extended up to:
1/6/2024
.....
(11)/(21) 965(KE/P/2017/2669)

(71) GUANGDONG OPPO MOBILE TELECOMMUNICATIONS CORP., LTD.
(24) Registration/application extended up to: 1/6/2024
.....
(11)/(21) (KE/P/2017/2673)
(71) GUANGDONG OPPO MOBILE TELECOMMUNICATIONS CORP., LTD.
(24) Registration/application extended up to: 1/6/2024
.....
(11)/(21) 972(KE/P/2017/2702)
(71) NEC CORPORATION
(24) Registration/application extended up to: 28/9/2024
.....
(11)/(21) 900(KE/P/2017/2703)
(71) TELEFONAKTIEBOLAGET LM ERICSSON (PUBL)
(24) Registration/application extended up to: 11/6/2024
.....
(11)/(21) 935(KE/P/2018/2773)
(71) KEIRYO PACKAGING SA
(24) Registration/application extended up to:
(11)/(21) (KE/P/2018/2774)
(71) KEIRYO PACKAGING SA
(24) Registration/application extended up to: 11/07/2024
.....
(11)/(21) (KE/P/2019/3243)
(71) GEA TDS GMBH
(24) Registration/application extended up to: 11/06/2024
.....
(11)/(21) (KE/P/2019/3396)
(71) ACCIONA ENERGÍA, S. A.
(24) Registration/application extended up to: 29/06/2024
.....

(11)/(21) (KE/P/2020/3398)
(71) SEOUL VIOSYS CO., LTD.
(24) Registration/application extended up to: 11/07/2024
.....

(11)/(21) 970(KE/P/2020/3410)
(71) FUJITA CORPORATION
(24) Registration/application extended up to: 9/8/2024
.....

(11)/(21) (KE/P/2021/3966)

(71) BAYER AKTIENGESELLSCHAFTBAYER PHARMA AKTIENGESELLSCHAFT
(24) Registration/application extended up to: 25/6/2024
.....
(11)/(21) (KE/P/2021/3967)
(71) BURN MANUFACTURING CO.
(24) Registration/application extended up to: 10/06/2024
.....

(11)/(21) (KE/P/2021/3971)
(71) PRODROMOU, PhrixosOGRETICI, Ayhan
(24) Registration/application extended up to: 12/6/2024
.....

(11)/(21) (KE/P/2021/3973)
(71) BAYER AKTIENGESELLSCHAFT
(24) Registration/application extended up to: 26/6/2024
.....

(11)/(21) (KE/P/2022/4384)
(71) BIOCONSORTIA, INC.
(24) Registration/application extended up to: 16/6/2024
.....

(11)/(21) (KE/P/2022/4385)
(71) BAYER AKTIENGESELLSCHAFT
(24) Registration/application extended up to: 25/6/2024
.....

(11)/(21) (KE/P/2022/4388)
(71) SYNGENTA CROP PROTECTION AG
(24) Registration/application extended up to: 05/07/2024
.....

(11)/(21) (KE/P/2023/4414)
(71) CRCC HIGH-TECH EQUIPMENT CORPORATION LIMITED
(24) Registration/application extended up to: 26/8/2024
.....

(11)/(21) (KE/P/2023/4578)
(71) BIOLINE AGROSCIENCES FRANCE
(24) Registration/application extended up to: 20/12/2024
.....

4.0 Change of ownership

Application No. AP/P/2022/14220. /
Assignor Name & Address: WENDER Ingo, Av. Vieira Souto, 364, apto. 902 - Ipanema, RJ, 22420-004 Rio de Janeiro, Brazil and ADVANCED POTASH TECHNOLOGIES LTD., 89 Nexus Way, Camana Bay Grand Cayman, KY1-9007, Cayman Islands

Assignee Name & Address: **ADVANCED POTASH TECHNOLOGIES LTD. of 89 Nexus Way, Camana Bay Grand Cayman, KY1-9007, Cayman islands**

5.0 Change of Name

Application No./Registration No.: **U 286**

Old Owner Name & Address: **OMBRA INVESTMENTS COMPANY LIMITED, P. O. BOX 13213-00902 KIKUYU, KENYA**

New Owner Name & Address: **OMBRA INVESTMENTS COMPANY LIMITED of P. O. BOX 1369-00902 KIKUYU, Kenya**

Registration no.: **286**

6.0 Utility Model Applications Published under Section 42 and Regulation 35

6.1 National Application

(21) KE/U/2022/1821 (22) 18/03/2022

(30) Priority:U/2021/1627 30/12/2021 KE

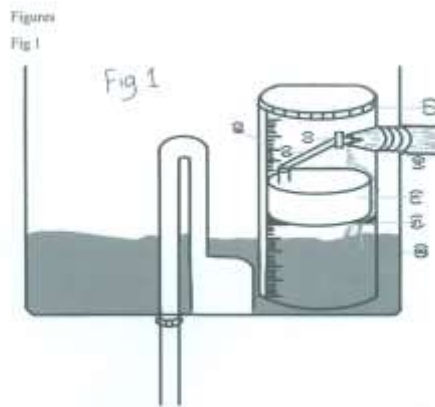
(73) ROGERS NZIOKA KASWEII of P.O.BOX 74766-00200 NAIROBI, Kenya

(72) ROGERS NZIOKA KASWEII

(54) ECONOMIC FIN PRESSURIZER

(51) E 03D 3/10

(57) The invention described above involves a system that reduces water consumption in single flush toilets. The model used in single flush toilets is an in-let valve (13) which is connected to the tank by the screws (4) and is fitted into the tank as shown in fig 3. Scale (6) measures water as it goes into the tank and set manually by connector (2) that shuts pivot (1) when the water gets to a desired scale. For efficiency the pressurizer (14) is installed at the water inlet in the flush basin where the water pipe is fitted at fit position (9) ensuring all the water passes through it, fins (10) break the water and when water comes through outlet (11) to the flush basin it comes out at an elevated pressure maintaining the flush efficiency.



(21) KE/U/2022/1866 (22) 05/04/2022

(73) LAUREEN MUTHONI NJOROGE of P.O.BOX 63084-00200 NAIROBI, Kenya

(72) LAUREEN MUTHONI NJOROGE

(54) AN APPLICATION ENABLING PROVISION OF FINANCIAL SERVICES

(51) G 06Q 40/00

(57) This invention discloses an application enabling the provision of financial products and services and their embodiments. It particularly discloses an application enabling the provision of a web application and a mobile phone application. It further discloses an application enabling the provision of financial products and services, where the web application comprises of Aggregation of financial products and services, financial institution, offers, promotion and bonuses from financial institutions and financial news and updates from the financial institutions.

(21) KE/U/2022/1975 (22) 11/11/2022

(73) UNIVERSITY OF NAIROBI of c/o INTELLECTUAL PROPERTY MANAGEMENT OFFICE, P. O. BOX 30197-00100, NAIROBI, Kenya

(72) SHAFFA KORVAWU KORCO JR.; ELIJAH MWANGI and GEORGE KAMUCHA

(74)

(54) REGION BASED HISTOGRAM AND FUSION TECHNIQUE FOR ENHANCING BACKLIT IMAGES FOR CELL PHONE APPLICATIONS

(51) G 09G 3/34(2006.01)

(57) The invention discloses a region-based histogram and fusion algorithm which improves the perceptual quality of a backlit image captured on a cell phone using a region-based histogram specification scheme with the discrete wavelet transform image fusion. The region-based histogram specification scheme employs two unique arget histograms to correct exposure disparities between the foreground and background picture scenes. The discrete wavelet transform fusion combines salient features of the histogram-specified images with the original input to produce the final enhanced image.

.....

(21) KE/U/2023/2036 (22) 09/03/2023

(73) KRONA PLASTICS LTD of P. O. BOX 18833-00500, NAIROBI, Kenya

(72) RONAK KUMAR RAJENDRA PARIKH

(54) LIGHT WEIGHT, RECYCLABLE AND LEAK-PROOF JERRYCANS

(51) B 65D 81/00(2006.01)

(57) The present invention relates to Light weight, recyclable and leak-proof Jerrycans comprising of; plain and decorative caps, ribs for extra strength, and are leak-proof and impact resistant. The said Jerrycans are made by Injection Moulding or blow moulding process. Material used is Polypropylene & HDPE or Virgin Plastic Resin which is 100% recyclable and reusable which is eo-friendly. A plastic jerrycan is a robust storage device designed to carry small quantities of fuel or other liquids in a safe and secure capacity. ITP Packaging stocks a practical range of plastic jerry cans manufactured from non-reactive high- density polyethylene (HDPE), and our expert team is ready to help you find the best products for your personal or industrial requirements.

.....

(21) KE/U/2023/2048 (22) 22/05/2023

(73) NILESH D J DODHIA of P.O. BOX 48158-00100 NAIROBI, Kenya

(72) NILESH D J DODHIA

(74) PEARLYNE OMAMO ADRA Advocates, P.O. BOX 1109-00606 NAIROBI

(54) KEG BARREL CAP

(51) B 65D 55/02(2006.01)

This proposed utility model uniquely addresses the central problem of the **irregular and unlawful access and syphoning of the contents of Keg barrels**. This exposes consignors/consignees to huge financial losses **noting that such discoveries oftentimes occur when it's too late thus making it harder to identify the likely perpetrators**. For a long time, this problem has gone unchecked until now. **The Keg Barrel cap provides a new and industrially applicable tamper-evident functionality meaning that any attempts to unlawfully and irregularly access the contents of the Keg barrel shall be easily detectable by the consignor/consignee.**

This shall:

1. Provide **early detection and alert** consignors/consignees in instances where the contents of the Keg barrel have been unlawfully and irregularly accessed and possibly syphoned and depleted; and
2. **Deter persons** from attempting to unlawfully and irregularly access and syphon the contents of the Keg barrels.

The enclosed representations and illustrations shall provide further insight into the functionality and design of the Keg Barrel Cap.

.....

(21) KE/U/2023/2061 (22) 18/04/2023

(73) STEPHEN KARANJA GITHIRI of P. O. BOX 28067-00100 NAIROBI, Kenya

(72) STEPHEN KARANJA GITHIRI

(54) ONLINE APPLICATION AND METHOD FOR PAYMENT OF CONTENT CREATORS.

(51) G 06Q 90/00(2006.01)

(57) Disclosed is an online application software designed and licensed to be in the cloud platform and specially in uploading and viewing of video clips by content creators or any other person who would wish to use it. Also disclosed is a method for utilizing plurality in the social media globally on network standardizing on line payment services, via franchise somehow opportunities. Franchisees enter into a franchise/license agreement

to operate similar-developed software in different regions of the world provided that the franchisees are experienced and qualified in the on line wallet payment industry

.....

(21) KE/U/2023/2061 (22) 18/04/2023

(73) STEPHEN KARANJA GITHIRI of P. O. BOX 28067-00100 NAIROBI, Kenya

(72) STEPHEN KARANJA GITHIRI

(54) ONLINE APPLICATION AND METHOD FOR PAYMENT OF CONTENT CREATORS.

(51) G 06Q 90/00(2006.01)

(57) Disclosed is an online application software designed and licensed to be in the cloud platform and specially in uploading and viewing of video clips by content creators or any other person who would wish to use it. Also disclosed is a method for utilizing plurality in the social media globally on network standardizing on line payment services, via franchise somehow opportunities. Franchisees enter into a franchise/license agreement to operate similar-developed software in different regions of the world provided that the franchisees are experienced and qualified in the on line wallet payment industry

.....

(21) KE/U/2023/2073 (22) 27/04/2023

(30) Priority:2021/3918 12/10/2021 KE

(73) OGETO BRIAN ABUTA of P. O. BOX35153-00100 NAIROBI, Kenya and KITENGE DAVID KALOKI of P. O. BOX 35153-00100 NAIROBI, Kenya

(72) OGETO BRIAN ABUTA and KITENGE DAVID KALOKI

(74) OGETO BRIAN ABUTA P. O. BOX 35153-00100 NAIROBI

(54) A SYSTEM FOR HANDLING, STORING AND REMITTING CHANGE AT POINT OF SALE

(51) G 06Q 30/00(2012.01)

(57) The objective of the present invention is to introduce a system that facilitates the handling, remittance, and storage of change from point-of-sale (POS) merchants to mobile wallets. This system is designed to integrate seamlessly with both a POS system and a computer readable medium. Additionally, the invention provides a method for remitting change from a merchant to a customer's mobile wallet, which is provided by a financial institution. The system utilizes a computer readable medium that is integrated with a mobile application capable of executing payments from the merchant's POS system to the customer's mobile wallet. By implementing this method, customers can conveniently receive their change directly into their mobile wallets, eliminating the need for physical currency transactions.

.....

(21) KE/U/2023/2073 (22) 27/04/2023

(30) Priority:2021/3918 12/10/2021 KE

(73) OGETO BRIAN ABUTA of P. O. BOX35153-00100 NAIROBI, Kenya and KITENGE DAVID KALOKI of P. O. BOX 35153-00100 NAIROBI, Kenya

(72) OGETO BRIAN ABUTA and KITENGE DAVID KALOKI

(74) OGETO BRIAN ABUTA P. O. BOX 35153-00100 NAIROBI

(54) A SYSTEM FOR HANDLING, STORING AND REMITTING CHANGE AT POINT OF SALE

(51) G 06Q 30/00(2012.01)

(57) The objective of the present invention is to introduce a system that facilitates the handling, remittance, and storage of change from point-of-sale (POS) merchants to mobile wallets. This system is designed to integrate seamlessly with both a POS system and a computer readable medium. Additionally, the invention provides a method for remitting change from a merchant to a customer's mobile wallet, which is provided by a financial institution. The system utilizes a computer readable medium that is integrated with a mobile application capable of executing payments from the merchant's POS system to the customer's mobile wallet. By implementing this method, customers can conveniently receive their change directly into their mobile wallets, eliminating the need for physical currency transactions.

.....

(21) KE/U/2023/2078 (22) 03/05/2023

(73) TWIGA HILL APARTMENTS of P. O. BOX 104070-00100 NAIROBI, Kenya

(72) ONESMUS MUCIRI KIMANI

(74) FRED OTSWONG'O & INTELLECTUAL PROPERTY ASSOCIATES P.O. BOX 54708-00200, NAIROBI

(54) METHOD FOR PRODUCT INFORMATION RETRIEVAL AND PAYMENT FUNCTIONALITY USING QUICK RESPONSE CODE

(51) G 06K 17/00(2006.01), G 06Q 30/00(2012.01)

(57) The present invention discloses a method, system and device for product information retrieval and payment functionality using high powered search technology prior to making a purchase from local vendors. The invention provides a product information retrieval and payment systems using a super app that utilizes QR, Near Field Communication, and Radio-Frequency Identification technologies for fast product retrieval, payment through a mobile app running on the cloud and incorporating Artificial Intelligence models and express parcel delivery for local vendors. The system comprises a portable communication device linked to a display; transmitter; processor and receiver. Also disclosed is a method of launching the cloud-based mobile application, scanning the QR code, RFID tag, or NFC chip of the product of interest, retrieving the product information from the database linked to QR code, RFID tag or NFC chip and making a payment through the mobile application for the selected product.

.....

(21) KE/U/2023/2078 (22) 03/05/2023

(73) TWIGA HILL APARTMENTS of P. O. BOX 104070-00100 NAIROBI, Kenya

(72) ONESMUS MUCIRI KIMANI

(74) FRED OTSWONG'O & INTELLECTUAL PROPERTY ASSOCIATES P.O. BOX 54708-00200, NAIROBI

(54) METHOD FOR PRODUCT INFORMATION RETRIEVAL AND PAYMENT FUNCTIONALITY USING QUICK RESPONSE CODE

(51) G 06K 17/00(2006.01), G 06Q 30/00(2012.01)

(57) The present invention discloses a method, system and device for product information retrieval and payment functionality using high powered search technology prior to making a purchase from local vendors. The invention provides a product information retrieval and payment systems using a super app that utilizes QR, Near Field Communication, and Radio-Frequency Identification technologies for fast product retrieval, payment through a mobile app running on the cloud and incorporating Artificial Intelligence models and express parcel delivery for local vendors. The system comprises a portable communication device linked to a display; transmitter; processor and receiver. Also disclosed is a method of launching the cloud-based mobile application, scanning the QR code, RFID tag, or NFC chip of the product of interest, retrieving the product information from the database linked to QR code, RFID tag or NFC chip and making a payment through the mobile application for the selected product.

.....

(21) KE/U/2023/2080 (22) 03/05/2023

(73) ESCO FARMS LIMITED of P. O. BOX 41512-00100 NAIROBI, Kenya

(72) JOSEPHINE NJERI NJOTOGE

(74) FRED OTSWONG'O & INTELLECTUAL PROPERTY ASSOCIATES P.O. BOX 54708-00200, NAIROBI

(54) PROCESS OF FABRICATING BIO-MATERIAL FOR MAKING GROW BAG BIOFILM SHEETS

(51) C 12N 1/00(2006.01)

(57) Disclosed in the present invention a process of bio-fabrication of cellulose-based biofilm sheet by-products. A process for preparation of a biomaterial, comprising of steps of growing the symbiotic culture of bacteria in a tea of agri-waste with high content of latificers vacuoles that forms an emulsion composed of different chemicals, sugars, gums and tannings, mixing and heating of symbiotic culture of bacteria (SCOBY) in water, cooling of the solution and casting solution into biofilm sheets with a base, top and flaps. The invention offers a biodegradable and bio-compostable seedling grow bag that serves as food for soil and as an alternative replacement for petro-plastic grow bags that have good mechanical and chemical characteristics with biocompatibility applicable in food, insulation and drug delivery.

.....

(21) KE/U/2023/2080 (22) 03/05/2023

(30) Priority:

(73) ESCO FARMS LIMITED of P. O. BOX 41512-00100 NAIROBI, Kenya

(72) JOSEPHINE NJERI NJOTOGE

(74) FRED OTSWONG'O & INTELLECTUAL PROPERTY ASSOCIATES P.O. BOX 54708-00200, NAIROBI

(54) PROCESS OF FABRICATING BIO-MATERIAL FOR MAKING GROW BAG BIOFILM SHEETS

(51) C 12N 1/00(2006.01)

(57) Disclosed in the present invention a process of bio-fabrication of cellulose-based biofilm sheet by-products. A process for preparation of a biomaterial, comprising of steps of growing the symbiotic culture of bacteria in a tea of agri-waste with high content of latificers vacuoles that forms an emulsion composed of different chemicals, sugars, gums and tannings, mixing and heating of symbiotic culture of bacteria (SCOBY) in water, cooling of the solution and casting solution into biofilm sheets with a base, top and flaps. The invention offers a biodegradable and bio-compostable seedling grow bag that serves as food for soil and as an alternative

replacement for petro-plastic grow bags that have good mechanical and chemical characteristics with biocompatibility applicable in food, insulation and drug delivery.

.....

(21) KE/U/2023/2177 (22) 05/06/2023

(73) TELEFEDHA LIMITED of P.O. BOX 36485-00200 NAIROBI, Kenya

(72) BRIAN KIPKEMOI NGETICH

(54) INTEGRATED AGRICULTURAL MANAGEMENT SYSTEM FOR DIRECTLY PAYING FOR FARM GOODS AND SERVICES

(51) G 06Q 20/00(2012.01)

(57)

This invention discloses a n integrated agricultural management system for directly paying for farm goods and services based on actual assets or records comprising the steps of:

- Registering agricultural supplies as subscribers
- Assigns financial value to recorded assets like agricultural supplies and records of assets and other valuables
- Enabling registered subscribers to use their agricultural supplies and records of assets and other valuables to make financial transactions

The integrated agricultural management system is characterized in that the financial system makes accepted records and supplies a currency on the account of the subscribers and facilitates a transaction based on actual assets or records.

The invention is characterized in that the payment system integrates other service providers and payment options electronically and enables subscribers to choose end value for their supplies and other recorded assets.

.....

(21) KE/U/2023/2177 (22) 05/06/2023

(73) TELEFEDHA LIMITED of P.O. BOX 36485-00200 NAIROBI, Kenya

(72) BRIAN KIPKEMOI NGETICH

(54) INTEGRATED AGRICULTURAL MANAGEMENT SYSTEM FOR DIRECTLY PAYING FOR FARM GOODS AND SERVICES

(51) G 06Q 20/00(2012.01)

(57)

This invention discloses a n integrated agricultural management system for directly paying for farm goods and services based on actual assets or records comprising the steps of:

- Registering agricultural supplies as subscribers
- Assigns financial value to recorded assets like agricultural supplies and records of assets and other valuables
- Enabling registered subscribers to use their agricultural supplies and records of assets and other valuables to make financial transactions

The integrated agricultural management system is characterized in that the financial system makes accepted records and supplies a currency on the account of the subscribers and facilitates a transaction based on actual assets or records.

The invention is characterized in that the payment system integrates other service providers and payment options electronically and enables subscribers to choose end value for their supplies and other recorded assets.

.....

7.0 Utility Models Registered

7.1 National Utility Models

(11) Registration no.: 436 (45) Date of grant: 13/06/2023

(21) Application no.: KE/22/01975 (22) Filing Date: 11/11/2022

(31) Priority:

(73) Applicant(s): UNIVERSITY OF NAIROBI c/o INTELLECTUAL PROPERTY MANAGEMENT OFFICE, P. O. BOX 30197-00100, NAIROBI , Kenya

(72) Inventors: SHAFFA KORVAWU KORKO JR.; ELIJAH MWANGI and GEORGE KAMUCHA

(74) Agent: c/o INTELLECTUAL PROPERTY MANAGEMENT OFFICE, P. O. BOX 30197-00100, NAIROBI

(51) Int.Cl.2018.01: G 09G 3/34(2006.01)

(54) Title: REGION BASED HISTOGRAM AND FUSION TECHNIQUE FOR ENHANCING BACKLIT IMAGES FOR CELL PHONE APPLICATIONS

(57) The invention discloses a region-based histogram and fusion algorithm which improves the perceptual quality of a backlit image captured on a cell phone using a region-based histogram specification scheme with the discrete wavelet transform image fusion. The region-based histogram specification scheme employs two unique target histograms to correct exposure disparities between the foreground and background picture scenes. The discrete wavelet transform fusion combines salient features of the histogram-specified images with the original input to produce the final enhanced image.

.....

(11) Registration no.: 434 (45) Date of grant: 06/06/2023

(21) Application no.: KE/22/01985 (22) Filing Date: 07/12/2022

(31) Priority: 2022/1978 16/11/2022 KE

(73) Applicant(s): SCHOOL EQUIPMENT PRODUCTION UNIT P. O. BOX 25140-00603 NAIROBI, Kenya

(72) Inventors: JOEL MABONGA

(74) Agent: , P. O. BOX 25140-00603 NAIROBI

(51) Int.Cl.2016.01: B 60P 3/00, B 62B 5/00

(54) Title: MOBILE LABORATORY

(57) The present relates to lightweight and durable mobile research laboratory setups. In particular, the invention relates to a mobile research laboratory setup that has the ability to transport, charge, provides laboratory setup services, and can be used to be used for analyzing content and properties such are normal school laboratory activities by students. It comprises of a body, fitted with an acid proof sink, the said sink connected to a water inlet from a reservoir and an outlet that drains to the collector or waste collection system. The mobile laboratory is also fitted with a gas inlet pipe with a regulator valve, the said gas inlet being able to supply to at least two burners on the surface of power.

.....

(11) Registration no.: 438 (45) Date of grant: 20/06/2023

(21) Application no.: KE/23/02031 (22) Filing Date: 08/03/2023

(73) Applicant(s): TIMELINE COMPANY LIMITED P.O. BOX 14390-00100 NAIROBI, Kenya

(72) Inventors: MERCY WANJIRU MAINA

(74) Agent: FREDRICK O. OTSWONG'O FRED OTSWONG'O &IP ASSOCIATES, P.O. BOX 14390-00100 NAIROBI

(51) Int.Cl.2018.01: A 23L 19/00(2016.01)

(54) Title: Nutritious Powder from Banana Central Soft Core Pseudostem

(57)

Disclosed in the present invention a nutritious powder central soft core of from banana pseudostem and processing of the central soft core of pseudostem of edible fruits of genus *Musa spp* and related species for their use in food or beverage products as functional ingredients. The powder has a dehydrated flesh core pseudostem of green bananas plant material, cereal powder, binder and ingredient. Also disclosed a method of making the central soft core of banana pseudostem powder comprising steps of removing leaves from harvested banana trees, stripping off bark to obtain banana pseudostems, squeezing and dehydrating them, cutting the central soft core of pseudostems into small slices using a cutter, drying the slices using solar, sun or a hot air drying oven, crushing the obtained dried material by a crusher, and sieving to obtain the powder. Adding nutrients, binder and preservatives to obtain a banana pseudostem powder for human consumption.

.....

(11) Registration no.: 433 (45) Date of grant: 30/05/2023

(21) Application no.: KE/23/02046 (22) Filing Date: 22/03/2023

(73) Applicant(s): NELSON SANGALE KIMITI P. O BOX, 165-00242 KITENGELA, Kenya

(72) Inventors: NELSON SANGALE KIMITI

(74) Agent: P. O BOX, 165-00242 KITENGELA

(51) Int.Cl.2018.01: G 06F 21/50(2013.01), G 06F 21/10(2013.01)

(54) Title: CHARACTER REFERENCE BUREAU

(57) The present invention discloses a system and process of collecting and gathering of social integrity data and share reports from a reference bureau database for monitoring or assessing people's character to contribute in shaping of their moral standing in the community. The invention also discloses a system for reporting social integrity, comprising a social integrity reference bureau; plural repositories of social integrity

information; a central data processing means; a user terminal; and a first data link for connecting said user terminal to said central data processing means. In one embodiment, the invention disclose a process for reporting social integrity, consisting steps of receiving social integrity information individuals or retrieved from the different repositories, gathering the social integrity information retrieved from the different sources, analyzing the gathered social integrity information retrieved from the different sources, activating the first data link, and transmitting the social integrity report over that data link to the user terminal for sharing purposes.

.....

(11) Registration no.: 435 (45) Date of grant: 13/06/2023

(21) Application no.: KE/23/02062 (22) Filing Date: 19/04/2023

(73) Applicant(s): JACQUELINE KALI P. O. BOX 44324 00100 NAIROBI, Kenya

(72) Inventors: JACQUELINE KALI

(74) Agent: P. O. BOX 44324 00100 NAIROBI

(51) Int.Cl.2018.01: G 06T 19/00(2011.01)

(54) Title: ARTIFICIAL INTELLIGENCE CLOTHING IMAGING

(57) A system of generating an image of a person wearing a selected article of clothing comprising of an electronic gadget and use of Artificial Intelligence 3D generating software and where the image thus generated is displayed or projected. The system is for use in shopping of clothes and where the system eliminates the use of physical trying of clothes.

.....

(11) Registration no.: 439 (45) Date of grant: 20/06/2023

(21) Application no.: KE/23/02079 (22) Filing Date: 03/05/2023

(73) Applicant(s): KEYO TECHNOVATION LIMITED P. O. BOX 19691-40123 KISUMU, Kenya

(72) Inventors: CONCEPTA ATIENO OJWANG

(74) Agent: FREDRICK O. OTSWONG'O FRED OTSWONG'O &IP ASSOCIATES, P. O. BOX 54708-00200, NAIROBI

(51) Int.Cl.2018.01: F 24B 1/00(2006.01)

(54) Title: GASIFIER COOK STOVE AND MANUFACTURING PROCESS THEREOF

(57)

Disclosed in the present invention is a gasifier cook stove for clean energy, comprising A gasifier cook stove for clean energy, comprising an outer galvanized sheet chamber with handles and collar ring plate having a strip, inner liner having clay linings covering surrounding the burning chamber and pot mounting plates fixed to the outer plates. The said stove further comprises an air dispensing chamber, top, bottom and ring plates having a fan mounting -jlate fixed on the bottom plate, rechargeable battery pack connected to DC fan 12V and supporting stands. The gasifier cook stove follows the gasification process by partial combustion. The clay lining absorbs heat. The fan is connected to rechargeable hattery pack, located at the bottom of the stove to avoid heating and regulates the amount of in-coming air. Also disclosed is a novel manufacturing process of gasifier cook stove, comprising specific steps.

.....

(11) Registration no.: 437 (45) Date of grant: 14/06/2023

(21) Application no.: KE/23/02112 (22) Filing Date: 12/05/2023

(31) Priority: 2023/4408 23/02/2023 KE

(73) Applicant(s): CROSS GATE SOLUTIONS LIMITED P. O. BOX 175-00606 SARIT CENTRE, NAIROBI, Kenya

(72) Inventors: SAM MUTUURA

(74) Agent: FREDRICK O. OTSWONG'O FRED OTSWONG'O &IP ASSOCIATES, P.O. BOX 54708-00200, NAIROBI

(51) Int.Cl.2018.01: G 06Q 20/00(2012.01)

(54) Title: SYSTEM AND PROCESS FOR MICRO-FUNDRAISING BY UTILIZING FLASH MESSAGES AS CALL PLEDGE BADGES

(57) The present invention discloses a computer-operated system and process for micro- fundraising by utilizing flash messages as call pledge badges using calling airtime of mobile hand-held devices. The system comprises a funds drive registry, user's subscription module via USSD to the service, an activation module, a means of donation and public portal. The said system comprises an incoming call pledge badge, out-going call pledge badge, memory and service activation flow through a website, USSD Code and Short Code. The said call pledge badge legs are set by customer/person according to preference. When customer/person A calls person B and if person B is available, then person A receives a class 0 message set by person B on call termination designed to facilitate donations for emergency, educational, medical and social needs such as drought, hunger or epidemics.

.....

7.2 ARIPO Utility Model registered

8.0 Industrial Design Applications Published Under Section 87 and Regulation 48

NOTICE is given that any person who has grounds of opposition to the Registration of any of the Industrial designs published herein may within sixty (60) days from the date of this Journal, lodge a notice of opposition on form IP 36 (in duplicate) together with a fee of Ksh.5,000/= (local opponent) or US\$ 250 (foreign opponent).

The period of lodging the notice of opposition may be extended by the Managing Director as he deems fit and upon such terms as he may direct. Any request for such extension should be made to the Managing Director to reach him before the expiry of the period allowed.

Formal opposition should not be lodged until after reasonable notice has been given in writing to the applicant to afford him an opportunity of withdrawing his application before the expense of preparing the notice of opposition is incurred. Failure to give such notice will be taken into account in considering any application by an opponent for an order for costs if the opposition is uncontested by the applicant. Representations and samples of the designs advertised herein can be seen at the Patent Registry, Kenya Industrial Property Institute, KIPI Centre, 17 Kabarsiran Avenue, Off Waiyaki Way, Lavington, Nairobi.

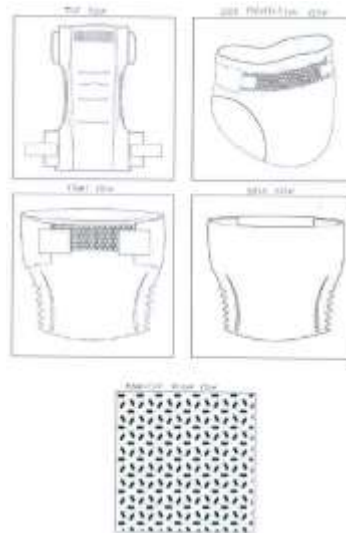
8.1 National Applications

((21):2018/1881 (22): 18/04/2018 (30): None

(73): SAREKS AMBALAJ SANAYI ve TICARET A.S. ORGANIZE SANAYI BOLGESI KARAAGAC MAH.FATIH BULVARI NO:34 KAPAKLI/TEKIRDAG TURKEY, Turkey (74): MWALE & COMPANY ADVOCATES, P.O. BOX 36729-00200, NAIROBI

(51) International Class (Loc (6)): 02-01 and 32-00 (54): BABY DIAPERS

The design for which novelty is claimed are in the shape and ornamentation as formed by bringing together short lines in the form of snowflakes in an adjacent manner to each other as shown in the representations.



((21):2023/2719 (22): 30/03/2023 (30): None

(73): NILESH D J DODHIA P.O.BOX 48158-00100 NAIROBI, Kenya (74): PEARLYNE OMAMO, ADRA Advocates, P.O. BOX 1109-00606 NAIROBI

(51) International Class (Loc (6)): 09-07 (54): KEG BARREL CAP

The novelty of the design resides on the pattern, shape, configuration and ornamentation of the KEG BARREL CAP as shown in the representations.



.....

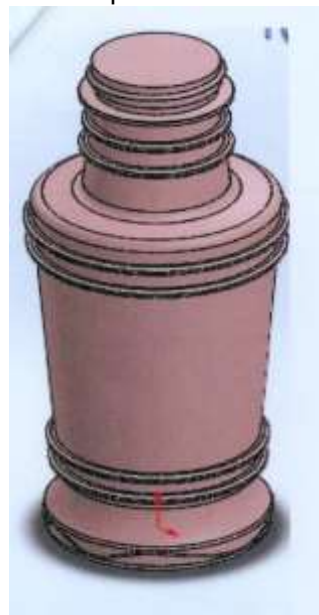
((21):2023/2722 (22): 05/05/2023 (30): None
(73): TAURUS MANUFACTURING COMPANY LIMITED P. O. BOX 21847-00400, NAIROBI, Kenya (74):
(51) International Class (Loc (6)): 23-01 (54): Tank
The novelty of the design resides in the shape, configuration and the pattern as shown in the representations.

All wordings appearing on the design are disclaimed.



.....

((21):2023/2726 (22): 31/05/2023 (30): None
(73): CHUPA LIMITED P. O. BOX 186-00623 NAIROBI, Kenya (74): ,
(51) International Class (Loc (6)): 09-01 (54): BOTTLE
The features of the design for which novelty is claimed are in the shape, configuration, ornamentation and the pattern at the side of the bottle as shown in the representations.



8.2. ARIPO Applications Designating Kenya

(21) Application No.:AP/D/2020/1515

(22) Filing date: 11/12/2020

(30) Priority:

(51) Classification:14-03

(54) Article to which design is applied: A DISPLAY SCREEN HAVING A GRAPHICAL USER INTERFACE FOR LIVE BETTING

(73) Applicant: LUCKY BUS DMCC Unit No: 3343, DMCC Business Centre, Level No 1, Jewellery & Gemplex 3, Dubai, United Arab Emirates, AE, U.Arab Emirates

(74) Agent/address of service: ROLAND INTELLECTUAL PROPERTY CONSULTANTS, 3 Maritz Street, Windhoek, P. O. Box 91198, Windhoek, Namibia

The features of the design for which protection is claimed are those of the shape and/or configuration and/or pattern and/or ornamentation of a display screen having a graphical user interface for live betting, substantially as illustrated in the accompanying representation.



.....

(21) Application No.:AP/D/2022/1728

(22) Filing date: 07/12/2022

(30) Priority:202213346 09/06/2022 AU

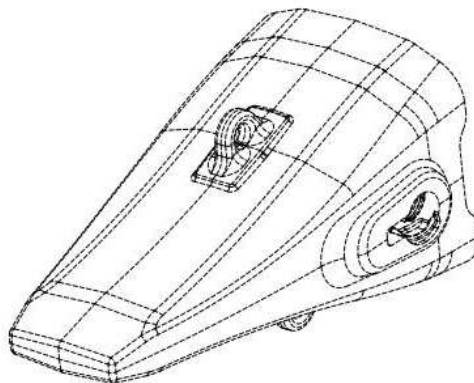
(51) Classification:15-04

(54) Article to which design is applied: WEAR MEMBER OF A WEAR ASSEMBLY FOR GROUND ENGAGING TOOLS

(73) Applicant: BRADKEN RESOURCES PTY LIMITED 20 McIntosh Drive, Mayfield West, NSW 2304, Australia, Australia

(74) Agent/address of service: GALLOWAY & COMPANY, P. O. Box A761, Avondale, Harare, Zimbabwe

The features of the design for which protection is claimed include the shape, pattern, ornamentation, and/or configuration of a wear member of a wear assembly for ground engaging tools, substantially as shown in the accompanying representations. The features shown in broken lines are for illustrative purposes and do not form part of the design as claimed.



.....

(21) Application No.:AP/D/2022/1729

(22) Filing date: 07/12/2022

(30) Priority:202213347 09/06/2022 AU

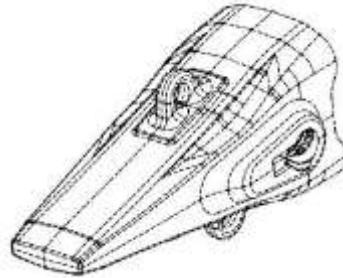
(51) Classification:15-04

(54) Article to which design is applied: WEAR MEMBER OF A WEAR ASSEMBLY FOR GROUND ENGAGING TOOLS

(73) Applicant: BRADKEN RESOURCES PTY LIMITED 20 McIntosh Drive, Mayfield West, NSW 2304, Australia, Australia

(74) Agent/address of service: GALLOWAY & COMPANY, P. O. Box A761, Avondale, Harare, Zimbabwe

The features of the design for which protection is claimed include the shape, pattern, ornamentation, and/or configuration of a wear member of a wear assembly for ground engaging tools, substantially as shown in the accompanying representations. The features shown in broken lines are for illustrative purposes and do not form part of the design as claimed.



.....

(21) Application No.:AP/D/2023/1767

(22) Filing date: 30/03/2023

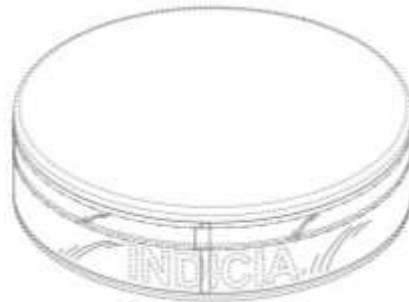
(30) Priority:29/855,442 03/10/2022 US

(51) Classification:09-07

(54) Article to which design is applied: SEALING MEMBER

(73) Applicant: NICOVENTURES TRADING LIMITED Globe House, 1 Water Street, London WC2R 3LA, United Kingdom, United Kingdom

(74) Agent/address of service: ROLAND INTELLECTUAL PROPERTY CONSULTANTS, 3 Maritz Street, Windhoek, P. O. Box 91198, Windhoek, Namibia



.....

21) Application No.:AP/D/2023/1770

(22) Filing date: 30/03/2023

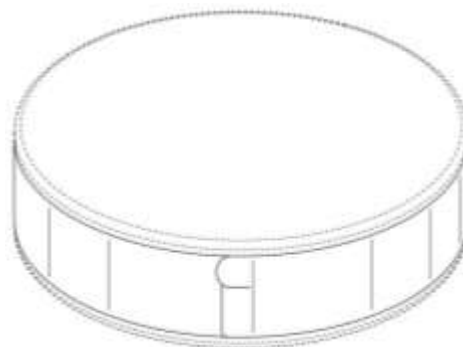
(30) Priority:29/855,442 03/10/2022 US

(51) Classification:09-07

(54) Article to which design is applied: SEALING MEMBER

(73) Applicant: NICOVENTURES TRADING LIMITED Globe House, 1 Water Street, London WC2R 3LA, United Kingdom, United Kingdom

(74) Agent/address of service: ROLAND INTELLECTUAL PROPERTY CONSULTANTS, 3 Maritz Street, Windhoek, P. O. Box 91198, Windhoek, Namibia



.....

8.3 Change of ownership

9.0 Registered Industrial Designs

9.1 National Industrial Designs

(11): 1591 (45): 06/06/2023 (21): 2023/2699 (22): 01/03/2023 (30): (51): (Loc (6)):09-01 (54): BOTTLE (73): PLANET CHIKA CHIKA LTD P.O.BOX 2083-80100 MOMBASA, Kenya (74): THE FEATURES OF THE DESIGN FOR WHICH NOVELTY IS CLAIMED ARE IN THE GENRAL SHAPE, CONFIGURATION, ORNAMENTATION AND THE PATTERN AS SHOWN IN THE REPRESENTATIONS.

ALL WORDINGS APPEARING ON THE DESIGN OF THE BOTTLE ARE DISCLAIMED.



.....

(11): 1592 (45): 09/06/2023 (21): 2022/2555 (22): 25/02/2022 (30):29/805,929 31/08/2021 US (51): (Loc (6)):09-01 (54): BEVERAGE CONTAINER (73): THERMOS L.L.C 475 N. MARTINGALE ROAD, SUITE 1100, SCHAUMBURG, ILLINOIS 60173, U.S.A. (74): Coulson Harney Advocates,P. O. Box 10643-00100, Nairobi The ornamental Design for a beverage container, as shown and described.



.....

(11): 1593 (45): 09/06/2023 (21): 2022/2557 (22): 25/02/2022 (30):29/805,994 31/08/2021 US (51): (Loc (6)):09-01 (54): BEVERAGE HOLDER (73): Thermos L.L.C 475 N. Martingale Road, Suite 1100, Schaumburg, IL 60173 , U.S.A. (74): COULSON HARNEY ADVOCATES,P.O. BOX 10643-00100 NAIROBI The ornamental Design for a beverage holder as shown and described.

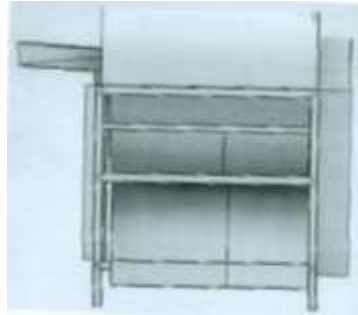


FIG. 1

.....

(11): 1594 (45): 09/06/2023 (21): 2020/2397 (22): 22/12/2020 (30): (51): (Loc (6)):12-02 (54): Organic Material Sieving Machine (73): JOMO KENYATTA UNIVERSITY OF AGRICULTURE AND TECHNOLOGY P.O BOX 62000-00200, NAIROBI, Kenya (74): DIRECTORATE OF INTELLECTUAL PROPERTY MANAGEMENT AND UNIVERSITY-INDUSTRY LIAISON, JKUAT,P.O BOX 62000-00200, NAIROBI

The novelty of the design resides in the shape and features of the Organic Material Sieving Machine as shown in the aesthetic features and representations.



.....

(11): 1595 (45): 09/06/2023 (21): 2022/2647 (22): 09/11/2022 (30): (51): (Loc (6)):06-13 (54): MATTRESS (73): WATERVALE INVESTMENTS LIMITED P. O. BOX 00505-21951 Nairobi, Kenya (74): CATHERINE NYAMBURA KARANJA,P. O. BOX 2318-00606 SARIT CENTER NAIROBI

The features of the design for which novelty is claimed are the pattern and ornamentation of the article as shown in the representations.

All wordings appearing on the design are disclaimed.



.....

(11): 1596 (45): 09/06/2023 (21): 2022/2562 (22): 25/02/2022 (30):29/806,160 01/09/2021 US (51): (Loc (6)):09-01 (54): BEVERAGE CONTAINER (73): THERMOS LLC 475 N. MARTINGALE ROAD, SUITE 1100, SCHAUMBURG, IL 60173 , U.S.A. (74): Coulson Harney Advocates,P. O. Box 10643-00100, Nairobi

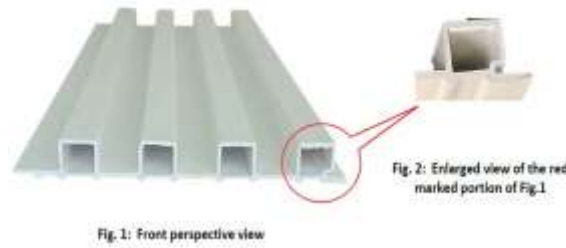
The ornamental Design for a beverage container as shown and described.



.....

(11): 1597 (45): 20/06/2023 (21): 2022/2665 (22): 14/12/2022 (30): (51): (Loc (6)):25-01 (54): WALL PANEL (73): HUMING PVC COMPANY LIMITED P.O. BOX 1132-00242 KITENGELA, Kenya (74):

The features for which novelty is claimed are the shape and configuration of a wall panel as substantially shown in the representations.



.....

(11): 1598 (45): 20/06/2023 (21): 2023/2690 (22): 21/02/2023 (30): (51): (Loc (6)):06-06 (54): Decorative edgings for furniture (73): Huming PVC Company Limited P.O. BOX 1132-00242 KITENGELA, Kenya (74): The features for which novelty is claimed are the surface pattern and ornamentation of decorative edgings for furniture as substantially shown in the representations.



.....

(11): 1599 (45): 20/06/2023 (21): 2023/2691 (22): 21/02/2023 (30): (51): (Loc (6)):06-06 (54): Decorative edgings for furniture (73): Huming PVC Company Limited P.O. BOX 1132-00242 KITENGELA, Kenya (74): The features for which novelty is claimed are the surface pattern and ornamentation of decorative edgings for furniture as substantially shown in the representations.



.....

(11): 1600 (45): 20/06/2023 (21): 2023/2692 (22): 21/02/2023 (30): (51): (Loc (6)):06-06 (54): Decorative edgings for furniture (73): Huming PVC Company Limited P.O. BOX 1132-00242 KITENGELA, Kenya (74): The features for which novelty is claimed are the surface pattern and ornamentation of decorative edgings for furniture as substantially shown in the representations.



.....

(11): 1601 (45): 20/06/2023 (21): 2023/2693 (22): 21/02/2023 (30): (51): (Loc (6)):06-06 (54): Decorative edgings for furniture (73): Huming PVC Company Limited P.O. BOX 1132-00242 KITENGELA, Kenya (74): The features for which novelty is claimed are the surface pattern and ornamentation of decorative edgings for furniture as substantially shown in the representations.



.....

(11): 1602 (45): 20/06/2023 (21): 2023/2694 (22): 21/02/2023 (30): (51): (Loc (6)):06-06 (54): Decorative edgings for furniture (73): Huming PVC Company Limited P.O. BOX 1132-00242 KITENGELA, Kenya (74): The features for which novelty is claimed are the surface pattern and ornamentation of decorative edgings for furniture as substantially shown in the representations.



.....

(11): 1603 (45): 20/06/2023 (21): 2023/2695 (22): 21/02/2023 (30): (51): (Loc (6)):06-06 (54): Decorative edgings for furniture (73): Huming PVC Company Limited P.O. BOX 1132-00242 KITENGELA, Kenya (74): The features for which novelty is claimed are the surface pattern and ornamentation of decorative edgings for furniture as substantially shown shown in the representations.



.....

(11): 1604 (45): 20/06/2023 (21): 2023/2696 (22): 21/02/2023 (30): (51): (Loc (6)):06-06 (54): DECORATIVE EDGINGS FOR FURNITURE (73): HUMING PVC COMPANY LIMITED P.O. BOX 1132-00242 KITENGELA, Kenya (74): The features for which novelty is claimed are the surface pattern and ornamentation of decorative edgings for furniture as substantially shown in the representations.



.....

(11): 1605 (45): 20/06/2023 (21): 2023/2697 (22): 21/02/2023 (30): (51): (Loc (6)):06-06 (54): DECORATIVE EDGINGS FOR FURNITURE (73): HUMING PVC COMPANY LIMITED P.O. BOX 1132-00242 KITENGELA, Kenya (74): The features for which novelty is claimed are the surface pattern and ornamentation of decorative edgings for furniture as substantially shown in the representation



.....

(11): 1606 (45): 20/06/2023 (21): 2023/2698 (22): 21/02/2023 (30): (51): (Loc (6)):06-06 (54): DECORATIVE EDGINGS FOR FURNITURE (73): HUMING PVC COMPANY LIMITED P.O. BOX 1132-00242 KITENGELA, Kenya (74): The features for which novelty is claimed are the surface pattern and ornamentation of decorative edgings for furniture as substantially shown in the representation.



.....

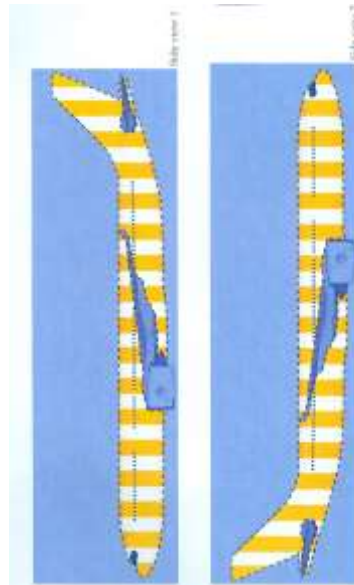
(11): 1607 (45): 26/06/2023 (21): 2022/2614 (22): 08/08/2022 (30):008857460-0001 10/02/2022 EM (51): (Loc (6)):12-07 and 32-00 (54): AEROPLANES (73): Condor Flugdienst GmbH An der Gehespitz 50 D-63263 Neu-Isenburg Germany, Germany (74): Chebet & Co. Advocates,3rd floor, Jacaranda Bldg. General Mathenge Road Nairobi

The novelty of the design (as covered in Community Design number 008857460-0001 filed at the European Union Intellectual Property Office) lies in the novel visual features of the pattern and composition of colour stripes as applied to the body of an aeroplane and to the ends of the wings, as shown in the representations, which pattern and composition gives a special appearance to the aeroplane. In the representations, the dotted/broken lines denote and delineate the outer limits/edges of the design, and the parts of the aeroplane not covered by the pattern and composition of colour stripes fall outside the scope of protection sought, do not form part of the design and are disclaimed



(11): 1608 (45): 26/06/2023 (21): 2022/2615 (22): 08/08/2022 (30):008857460-002 10/02/2022 EM (51): (Loc (6)):12-07 and 32-00 (54): AEROPLANES (73): Condor Flugdienst GmbH An der Gehespitz 50 D-63263 Neu-Isenburg Germany, Germany (74): Chebet & Co. Advocates,3rd floor, Jacaranda Bldg. General Mathenge Road Nairobi

The novelty of the design (as covered in Community Design number 008857460-0002 filed at the European Union Intellectual Property Office) lies in the novel visual features of the pattern and composition of colour stripes as applied to the body of an aeroplane and to the ends of the wings, as shown in the representations, which pattern and composition gives a special appearance to the aeroplane. In the representations, the dotted/broken lines denote and delineate the outer limits/edges of the design, and the parts of the aeroplane not covered by the pattern and composition of colour stripes fall outside the scope of protection sought, do not form part of the design and are disclaimed..



.....
(11): 1609 (45): 26/06/2023 (21): 2022/2616 (22): 08/08/2022 (30):008857460-0003 10/02/2022 EM (51): (Loc (6)):12-07 and 32-00 (54): AEROPLANES (73): Condor Flugdienst GmbH An der Gehespitz 50 D-63263 Neu-Isenburg Germany, Germany (74): Chebet & Co. Advocates,3rd floor, Jacaranda Bldg. General Mathenge Road Nairobi

The novelty of the design (as covered in Community Design number 008857460-0003 filed at the European Union Intellectual Property Office) lies in the novel visual features of the pattern and composition of colour stripes as applied to the body of an aeroplane and to the ends of the wings, as shown in the representations, which pattern and composition gives a special appearance to the aeroplane. In the representations, the dotted/broken lines denote and delineate the outer limits/edges of the design, and the parts of the aeroplane not covered by the pattern and composition of colour stripes fall outside the scope of protection sought, do not form part of the design and are disclaimed.



(11): 1610 (45): 26/06/2023 (21): 2022/2617 (22): 08/08/2022 (30):008857460-0004 10/02/2022 EM (51): (Loc (6)):12-07 (54): AEROPLANES (73): Condor Flugdienst GmbH An der Gehespitz 50 D-63263 Neu-Isenburg Germany, Germany (74): Chebet & Co. Advocates,3rd floor, Jacaranda Bldg. General Mathenge Road Nairobi
The novelty of the design (as covered in Community Design number 008857460-0004 filed at the European Union Intellectual Property Office) lies in the novel visual features of the pattern and composition of colour stripes as applied to the body of an aeroplane and to the ends of the wings, as shown in the representations, which pattern and composition gives a special appearance to the aeroplane. In the representations, the dotted/broken lines denote and delineate the outer limits/edges of the design, and the parts of the aeroplane not covered by the pattern and composition of colour stripes fall outside the scope of protection sought, do not form part of the design and are



.....

(11): 1611 (45): 26/06/2023 (21): 2022/2618 (22): 08/08/2022 (30):008857460-0005 10/02/2022 EM (51): (Loc (6)):12-07 (54): AEROPLANES (73): Condor Flugdienst GmbH An der Gehespitz 50 D-63263 Neu-Isenburg Germany, Germany (74): Chebet & Co. Advocates,3rd floor, Jacaranda Bldg. General Mathenge Road Nairobi
The novelty of the design (as covered in Community Design number 008857460-0005 filed at the European Union Intellectual Property Office) lies in the novel visual features of the pattern and composition of colour stripes as applied to the body of an aeroplane and to the end of the wings, as shown in the representations, which pattern and composition gives a special appearance to the aeroplane. In the representations, the dotted/broken lines denote and delineate the outer limits/edges of the design, and the parts of the aeroplane not covered by the pattern and composition of colour stripes fall outside the scope of protection sought, do not form part of the design and are disclaimed.



.....

(11): 1612 (45): 26/06/2023 (21): 2022/2619 (22): 08/08/2022 (30):008857460-0006 10/02/2022 EM (51): (Loc (6)):12-07 (54): AEROPLANES (73): Condor Flugdienst GmbH An der Gehespitz 50 D-63263 Neu-Isenburg Germany, Germany (74): Chebet & Co. Advocates,3rd floor, Jacaranda Bldg. General Mathenge Road Nairobi

The novelty of the design (as covered in Community Design number 008857460-0006 filed at the European Union Intellectual Property Office) lies in the novel visual features of the pattern and composition of colour stripes as applied to the body of an aeroplane and to the ends of the wings, as shown in the representations, which pattern and composition gives a special appearance to the aeroplane. In the representations, the dotted/broken lines denote and delineate the outer limits/edges of the design, and the parts of the aeroplane not covered by the pattern and composition of colour stripes fall outside the scope of protection sought, do not form part of the design and are disclaimed.



.....

(11): 1613 (45): 27/06/2023 (21): 2021/2476 (22): 29/04/2021 (30): (51): (Loc (6)):07-07 (54): BUCKET (73): NILESH D J DODHIA P. O. BOX 48158-00100 NAIROBI, Kenya (74):

The features of the design for which novelty is claimed are the shape and the configuration of the article as shown in the representation.

All wordings appearing in the design are disclaimed



.....

(11): 1614 (45): 27/06/2023 (21): 2021/2477 (22): 29/04/2021 (30): (51): (Loc (6)):07-07 (54): BUCKET (73): NILESH D J DODHIA P. O. BOX 48158-00100 NAIROBI, Kenya (74):

The features of the design for which novelty is claimed are the shape and the configuration of the article as shown in the representation. All wordings appearing in the design are disclaimed



.....

(11): 1615 (45): 27/06/2023 (21): 2021/2478 (22): 29/04/2021 (30): (51): (Loc (6)):07-07 (54): BUCKET (73): NILESH D J DODHIA P. O. BOX 48158-00100 NAIROBI, Kenya (74):

The features of the design for which novelty is claimed are the shape and the configuration of a bucket as shown in the representation. All wordings appearing in the design do not form part of the design and are disclaimed



.....

9.2 Aripo Designs

(11) Registration No.: 1380

(45) Registration date: 03/05/2023

(21) Application No.: 2022/1678

(22) Filing date: 23/05/2022

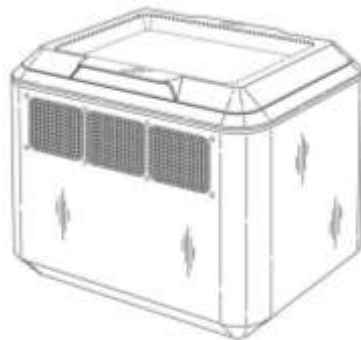
(30) Priority: 6177528 24/11/2021 GB

(51): Classification:07-10

(54) Article to which design is applied: CHILLER

(73) Owner: MARS, INCORPORATED 6885 Elm Street, McLean, Virginia 22101-3883, United States of America, U.S.A.

(74) Agent/ Address for service: ADAMS AND ADAMS MOZAMBIQUE, Rua Estevão Ata-de, #20, R/C Bairro da Sommerschild, Maputo, Mozambique



(11) Registration No.: 1379

(45) Registration date: 02/05/2023

(21) Application No.: 2022/1699

(22) Filing date: 11/08/2022

(30) Priority: A2022/00161 14/02/2022 ZA

(51): Classification: 22-03

(54) Article to which design is applied: BOOSTERS FOR DETONATING BULK EXPLOSIVES

(73) Owner: AECI MINING LIMITED AECI Place, 23/24 The Woodlands, Woodlands Drive, Woodmead, Sandton 2191, South Africa, South Africa

(74) Agent/ Address for service: ADAMS AND ADAMS MOZAMBIQUE, Rua Estevão Ata-de, #20, R/C Bairro da Sommerschild, Maputo, Mozambique



(11) Registration No.: 1382

(45) Registration date: 09/05/2023

(21) Application No.: 2022/1701

(22) Filing date: 17/08/2022

(30) Priority: 2022300803585 18/02/2022 CN

(51): Classification: 13-02

(54) Article to which design is applied: CHARGER

(73) Owner: SHENZHEN TRANSSION HOLDINGS CO., LTD. Room 1702-1703, Desay Building, No. 9789 Shennan Road, Hi-tech Park, Nanshan District, Shenzhen 518057, China, China

(74) Agent/ Address for service: ROLAND INTELLECTUAL PROPERTY CONSULTANTS, 3 Maritz Street, Windhoek, P. O. Box 91198, Windhoek, Namibia



(11) Registration No.: 1381

(45) Registration date: 08/05/2023

(21) Application No.: 2022/1718

(22) Filing date: 04/10/2022

(30) Priority: DM/220698 04/04/2022 IT

(51): Classification: 12-16

(54) Article to which design is applied: PORTION OF VEHICLE CABIN

(73) Owner: IVECO DEFENCE VEHICLES S.P.A. Via Alessandro Volta, 6, 39100 BOLZANO, Italy, IT, Italy

(74) Agent/ Address for service: ADAMS AND ADAMS MOZAMBIQUE, Rua Estevão Ata-de, #20, R/C Bairro da Sommerschild, Maputo, Mozambique

The features of the design for which protection is claimed include the shape and/or configuration and/or pattern and/or ornamentation of a front portion of a vehicle cabin, substantially as shown in the representations



10.0 Renewed Industrial Designs

10.1 National Designs

(11) Design Number:1167
 (22) Filing Date: 15/12/2017
 (51) International Class. (Loc (6)):09-01
 (54) Title: A BOTTLE
 (73) Owner(s): Global Investment Development Limited Morgan & Morgan Building,P.O Box 958 Pasea Estate,Road Town,Tortola, Brt. Virgin Islands
 (24) Registration extended up to: 15/12/2027

(11) Design Number:1076
 (22) Filing Date: 10/05/2018
 (51) International Class. (Loc (6)):07-07
 (54) Title: TRAY
 (73) Owner(s): KENSTAR PLASTIC INDUSTRIES LIMITED P.O. BOX 39926-00623 NAIROBI, Kenya
 (24) Registration extended up to: 10/05/2028

(11) Design Number:1077
 (22) Filing Date: 10/05/2018
 (51) International Class. (Loc (6)):07-07, 07-99 and 09-03
 (54) Title: TRAY
 (73) Owner(s): KENSTAR PLASTIC INDUSTRIES LIMITED P.O. BOX 39926-00623, NAIROBI, Kenya
 (24) Registration extended up to: 10/05/2028

(11) Design Number:1178
 (22) Filing Date: 20/07/2018
 (51) International Class. (Loc (6)):02-03
 (54) Title: MOTORBIKE HEADCASE
 (73) Owner(s): KENSTAR PLASTIC INDUSTRIES LIMITED P. O. BOX 39926-00623 NAIROBI, Kenya
 (24) Registration extended up to: 20/07/2023

(11) Design Number:1085
 (22) Filing Date: 20/07/2018
 (51) International Class. (Loc (6)):02-03
 (54) Title: MOTORBIKE HEADCASE
 (73) Owner(s): KENSTAR PLASTIC INDUSTRIES LIMITED P. O. BOX 39926-00623 NAIROBI, Kenya
 (24) Registration extended up to: 20/07/2028

(11) Design Number:1179
 (22) Filing Date: 20/07/2018
 (51) International Class. (Loc (6)):02-03
 (54) Title: MOTORBIKE HEADCASE
 (73) Owner(s): KENSTAR PLASTIC INDUSTRIES LIMITED P.O. BOX 39926-00623 NAIROBI, Kenya
 (24) Registration extended up to: 20/07/2028

11.0 Trade Marks

11.1 Applications accepted for registration

NOTICE is given that any person who has grounds of opposition to the Registration of any of the trade marks advertised herein according to these classes may within sixty (60) days from the date of this Journal, lodge a notice of opposition on form TM. No. 6 (in duplicate) together with a fee of Ksh.5,000/= (local opponent) or US\$ 250 (foreign opponent). The period of lodging the notice of opposition may be extended by the Registrar as he deems fit and upon such terms as he may direct. Any request for such extension should be made to the Registrar to reach him before the expiry of the period allowed.

Formal opposition should not be lodged until after a reasonable notice has been given in writing to the applicant for registration to afford him any opportunity of withdrawing his application before the expense of preparing the notice of opposition is incurred. Failure to give such notice will be taken into account in considering any application by an opponent for an order for costs if the opposition is uncontested by the applicant.

Representations of the marks advertised herein can be seen at the Trade Marks Registry, Kenya Industrial Property Institute, KIPi Centre, Kabarsiran Avenue Off Waiyaki Way, Lavington, Nairobi.

(210): 50265 (220): 02/06/2000

(300): None (511): 29(Potato crisps, mandazi, chevda, roasted nuts) (526): None (730): DECO ERRO ENTERPRISES LTD of P. O. Box 1607 - 00502, Nairobi, Kenya (740): None

SNACKYS
Any time Any day

(210): 53692 (220): 17/10/2002

(300): None (511): 25(Footwear of all kinds including leather and plastic footwear, canvas (footwear made of cloths), Clothing.) (526): The transliteration of the Arabic characters appearing on the mark is "LARCO" which has no meaning in English (730): LARCO FOOTWEAR INDUSTRIES LTD., private limited liability company incorporated in Sudan, Manufacturers and Distributors of P. O. Box 10247, Khartoum, Sudan (740): Ndungu Njoroge & Kwach Advocates,, P.O. Box 41546-00100, Nairobi

LARCO لاركو

(210): 56646 (220): 12/10/2004

(300): None (511): 43(Services for food, drink and temporary accommodation.) (526): Registration of this mark shall give no right to the exclusive use of the words "Nairobi" and "Hotel" each separately and apart from the mark as a whole. (730): PANARI HOTEL of P.O. Box 8307 - 00200, Nairobi, Kenya (740): None


The Panari Hotel
Nairobi

(210): 79308 (220): 18/07/2013

(300): None (511): 24(Polyester knitted fabrics.) (526): None (730): SUMMIT TEXTILES EA LTD., TEXTILES MANUFACTURERS OF P.O. BOX 18160, 00500, NAIROBI, Kenya (740): None

BAGGIO

(210): 91945 (220): 26/04/2016

(300): None (511): 35(Advertising; business management; business administration; office functions), 38(Telecommunications) and 42(Scientific and technological services and reasearch and design relating thereto; industrial analysis and research services; design and development of computer hardware and software) (526): Registration of this mark shall give no right to the exclusive use of the letters "r", "m" and "s" each separately and apart from the mark as a whole. (730): RANCARD KENYA LIMITED of P.O. 43170 - 00100, Nairobi, Kenya (740): Triple Law Advocates of P.O. Box 49403 - 00100 Nairobi, Kenya

 rms
rancard

(210): 91948 **(220):** 26/04/2016

(300): None **(511):** 35(Advertising; business management; business administration; office functions), 38(Telecommunications) and 42(Scientific and technological services and research and design relating thereto; industrial analysis and research services; design and development of computer hardware and software) **(526):** Registration of this mark shall give no right to the exclusive use of the letter "R" separately and apart from the mark as a whole. 'Rendezvous' is an English word meaning "a meeting place". "Rancard" is a French word meaning "meeting or appointment". **(730):** RANCARD KENYA LIMITED of P.O. Box 43170 - 00100, Nairobi, Kenya **(740):** Triple Law Advocates of P.O. Box 49403 - 00100 Nairobi, Kenya

**(210):** 93018 **(220):** 12/07/2016

(300): None **(511):** 16(Stationery, paper, cardboard and goods made from these materials; printed matter.) **(526):** None **(730):** MARUTI OFFICE SUPPLIES LIMITED of P. O. Box 38908 - 00623, Nairobi, Kenya **(740):** None

Penguin

(210): 98809 **(220):** 06/09/2017

(300): None **(511):** 25(Footwear) **(526):** Registration of this mark shall give no right to the exclusive use of the device of a "sole" separately and apart from the mark as a whole. **(730):** VANS, INC., a Delaware corporation of 1588 South Coast Dr., Costa Mesa, California 92626, United States of America **(740):** Coulson Harney Advocates, P.O. Box 10643 - 00100, Nairobi, Kenya

**(210):** 99683 **(220):** 09/11/2017

(300): None **(511):** 31(Grains and agricultural, horticultural and forestry products not included in other classes; live animals; fresh fruits and vegetables; seeds; natural plants and flowers; foodstuffs for animals; malt.) **(526):** Registration of this mark shall give no right to the exclusive use of the words 'ANIMAL' and 'FEED' each separately and apart from the mark as a whole **(730):** ENGAANO MILLERS LIMITED of P. O. Box 530, Jinja, Uganda **(740):** Kabui M. Mwangi Advocates of P. O. Box 104748 - 00101, Nairobi, Kenya

**(210):** 103653 **(220):** 24/08/2018

(300): None **(511):** 32(Beer) **(526):** Registration of this mark shall give no right to the exclusive use of the letter 'U' and the words 'Utamaduni', 'Opaque', 'Beer' and the device of 'sugarcane' each separately and apart from the mark as a whole. **(730):** HAKIM COMMERCIAL AGENCIES of P.O. Box 541 - 60400, Chuka, Kenya **(740):** None

**(210):** 104524 **(220):** 24/10/2018

(300): None **(511):** 5(Dietary and nutritional supplements) and 32(Non-alcoholic drinks; energy drinks; sports drinks; isotonic drinks; recovery drinks.) **(526):** None **(730):** SCIVATION, INC of 3891 S. Traditions Drive, Bryan, Texas 77807, United States of America **(740):** J. K. Muchae & Company Advocates of P.O. Box 60664 - 00200, Nairobi, Kenya

XTEND

(210): 108737 (220): 16/08/2019

(300): None (511): 9(Smart watches; wearable computers; wearable activity trackers; wearable video display monitors; batteries; battery chargers; charging cables; electrical adapters; earphones and headphones; downloadable mobile applications and software for processing, reviewing and editing data from smart watches and mobile devices featuring global positioning systems, compasses, barometers, altimeters, pedometers, heart rate meters, accelerometers and thermometers; smart watches having a radio-controlled function; parts and fittings thereof.) and 14(Horological and chronometric instruments; watches; clocks; wrist watches; electric watches and clocks; electronic watches and clocks; parts and fittings thereof; chronographs (watches); stopwatches; timekeeping instruments; cases for clock and watch-making; watch bands and straps; dials for clock and watch-making; clock and watch hands; watch faces; watch movements; watch glasses; watch chains; watch boxes; watch pouches; watch springs; watch crystals; watch back covers.) (526): None (730): CASIO KEISANKI KABUSHIKI KAISHA (Casio Computer Co., Ltd) of 6-2, Hon-machi 1-chome, Shibuya-ku, Tokyo, Japan (740): Ndungu Njoroge & Kwach Advocates of P.O. Box 41546 - 00100, Nairobi, Kenya

PROTECTION

(210): 109597 (220): 17/10/2019

(300): None (511): 9(Computer peripheral devices; Network communication equipment; Distribution boxes [electricity]; Inverters [electricity]; Power plug converter; Regulated power supply; Frequency converter; High frequency switching power supply; Photovoltaic inverter; Lightning arresters; Chargers for electric batteries; Accumulators, electric; Photovoltaic cells; Photovoltaic power board.) (526): Registration of this mark shall give no right to the exclusive use of the letter 'M' and the word "Energy" each separately and apart from the mark as a whole. (730): SHENZHEN MUST ENERGY TECHNOLOGY CO. LTD of 5F Bldg 11, Run Dong Sheng Industrial Park, Longzhu Community, Xixiang Street, Baoan District, Shenzhen, China (740): Gitahi Munyi & Associates of P.O. Box 19785 - 00100, Nairobi Kenya


 The logo for Must Energy features a stylized, wavy 'M' symbol in blue and grey, followed by the text 'must energy' in a bold, lowercase sans-serif font.

(210): 115409 (220): 07/01/2021

(300): None (511): 9(Televisions; displays for television receivers; TV monitors; digital signage; organic light emitting diode (OLED) displays; smartphones; displays for smartphones; mobile phones; wearable smartphones; digital set-top boxes; computer application software; computer application software for mobile phones; computer application software for televisions; chargeable batteries; battery compensation chargers; network surveillance cameras; digital cameras; virtual reality game software; head mounted video displays; monitoring apparatus, electric.) (526): Registration of this mark shall give no right to the exclusive use of the letters 'L', 'G' and the acronym 'OLED' each separately and apart from the mark as a whole (730): LG Corp. of 128, Yeoui-daero, Yeongdeungpo-gu, Seoul, Republic of Korea (740): Iseme Kamau & Maema Advocates of P. O. Box 11866 - 00400, Nairobi, Nairobi

LG OLED evo

(210): 116367 (220): 10/03/2021

(300): None (511): 41(Fitness and sports) (526): Registration of this mark shall give no right to the exclusive use of the word 'FIT' and 'PRO' each separately and apart from the mark as a whole. (730): GIGAFIT EQUIPMENT LIMITED of P.O. Box 966 - 00200, Nairobi, Kenya (740): None


 The logo for GigaFit Pro features the word 'GIGAFIT' in a large, bold, blue sans-serif font, with 'PRO' in a smaller, blue sans-serif font to its right.

(210): 117315 **(220):** 13/05/2021

(300): None **(511):** 7("Connection 3/8"; clamp; connector clamp; pipe clamp s.; hose clamp; hose clamp 3 / 8, hose, "adapter connection 3/4" "adapter connection 3/4" 90" adhesive genset cabin 12 5 - 53kva, " ", pt w, alternator 28v 110a , alternator 28v 80a, vibration damper, vibration damper std 5/8", o-ring, rotating filter cover ring, sealing ring, extension bar be dwb800-1000 3p, automatic supply nozzle, water pump, fuel pump, "plug 3/4" bsp", case, remote supply nozzle, genset wiring harness 4.12tca, crankshaft assy, "elbow assy, exhaust 4", tank assy, fuel, assy tank, fuel 6001, bleed tube connector, bleed pipe, connection, water, v-ribbed belt, poly-v belt, circuit breaker 3p dwb800s500 3da, injector nozzle element, element, air filter, air filter element/complete, air filter, complete air filter, fuel filter, oil filter, water separator filter, filter element, complete air filter, adhesive tape, seal cabin, fuel injectors, paper insert, gasket, valve cover gasket bottom, valve cover gasket top, filter kit, overhaul kit, maintenance kit, repair kit, overhaul kit cylinder head, lubricant oil repair kit, fuel filter kit, kit, external supply nozzle, hose, hose 3/8, water hose, hose, input/output fuel, breaker1600/ 100/800, starter, starter motor, water heater 1000w x 220v, radiator water, breather, automatic s.upply nozzle, breather, fuel tank, level sensor la12n-40, cover, click, toroidal current transformer 500-5a, water tube, bleed pipe, turbo charger high pressure, turbo charger low pressure, hose connection, by-pass valve, exhaust valve, 2 way solenoid valve nf viton 12v, alternator (12v-40a), anel de vedacao, toric seal oil filter, anel o-ring 74x5-fpml-70-gn, "0" ring, seal 73 x 3, toric seal 115x25n- fpml-70-gn, water pump, fuel pump, injectionpumpassy, pump, fuel injection, battery charger, dse9701 5a (24v), battery charger, dse9702 5a (12v), controller, dse331, controller, dse4520 mkii, controller, dse7320 mkii, controller, dse8610 mkii, controller, dse8620 mkii, controller, dse8660 mkii, belt, belt / v-belt, v-belt a37.5, v-belt, metal rubber mount ega80, injector nozzle element, separator element filter, air filter element, fuel filter, filtro de ar, filtro de combustivel, filtro de combustivel c/ o'ring, filtro de oleo com selo, oil filter, separator assy, fuel filter, filter, fuel, lub oil filter, thermal insulator injector, junta, junta carregador, 26x52, 5x11x1,5-af0e2, junta de vedacao, 12x38x11x1-af0e4, cyl head gasket, head gasket, head joint, junta tampa cabecote cilindro, junta, coletor de admissao, connecting bearing, thrust bearing, backrest bearing, crankshaft bearing, engine, starter, starter motor, piston with rings, water heater 1000w 277v 80-100f 8in, radiator, regulator, velocity lseries 8404-5008, solenoid, admission valve, exhaust valve, thermostatic valve, spark plug, cable, ignition coil, coil, ignition, circuit breaker 3p dwb250b250-3df, circuit breaker 3p dwb400n320-3da, circuit breaker 3p dwb800s630-3da, circuit breaker 3p dwb1000s1000-3et, circuit breaker 3p dwb160b63-3dx, circuit breaker 3p fx man dwb160bl00-3dx, circuit breaker 3p fx man dwb160b80-3dx, circuit breaker 3p dwb160b125-3dx, circuit breaker, dwb800s800-3da, circuit breaker, dwb400n400-3da, circuit breaker 3p dwa1600s-e1600-3, circuit breaker 3p dwb160b160-3dx , circuit breaker 3p dwb250b200- 3df, circuit breaker 3p dwa1600s-e1250-3, fan, starter motor, fuel filter with water separator, fuel filter element, starter motor, 12v, turbocharger, fan, lubricating oil pump, fan, turbocharger, air filter, closed.)

(526): Registration of this mark shall give no right to the exclusive use of the word "POWER" and the letter "M" each


 The logo for MPOWER features the word "MPOWER" in a bold, blue, sans-serif font. Above the text are three horizontal blue lines of varying lengths, creating a stylized, dynamic header for the brand name.

separately and apart from the mark as a whole **(730)**: INTERNATIONAL INDUSTRIA AUTOMOTIVA DA AMERICA DO SUL LTDA of Av. Das Nacoes Unidas, 22.002, Predio B, Jurubatuba, Sao Paulo, Brazil **(740)**: CFL Advocates of P.O. Box 23555 - 00100, Nairobi, Kenya

(210): 117478 **(220)**: 24/05/2021

(300): None **(511)**: 35(Providing temporary, full-time and contract employment placement staffing, consulting and recruiting services; providing temporary, full-time and contract employment placement staffing, consulting and recruiting services via a global computer network and via mobile applications; providing information on employment, careers and temporary staffing; providing information on employment, careers and temporary staffing via a global computer network and via mobile applications; Employment staffing in the field of electronic discovery; operation of telephone call centers for others; business project management services; providing online business risk management services for use in project management; providing business intelligence services; back office support, namely, office administrative services for others for supporting law firms, legal service providers and in-house legal departments; business consulting services for others, namely, for supporting law firms, legal service providers, and in-house legal departments; Business consulting services in the nature of managed solutions, namely, int-grating enterprise level operations management, specialized employment staffing and recruitment, organizational learning, and business process integration and technology deployment; Business consulting services in the fields of accounting, finance, legal services, technology, and the creative industry, in the nature of managed solutions, namely, integrating enterprise level operations management, specialized employment staffing and recruitment. organizational learning, and business process integration and technology deployment; Business services, namely, matching employers and businesses with candidates for temporary staffing and full-time and contract employment placement opportunities; Business services, namely, matching employers and businesses in the fields of accounting, finance, legal services, technology, and the creative industry, with candidates for temporary staffing and full-time and contract employment placement opportunities; business services, namely, providing an artificial intelligence- based searchable database that matches employers, businesses, and other third parties with candidates for temporary staffing and full-time and contract employment placement opportunities via a global computer network and via mobile applications; business services, namely, providing an artificial intelligence-based searchable database that matches employers, businesses, and other third parties in the fields of accounting, finance, legal services, technology, and the creative industry, with candidates for temporary staffing and full-time and contract employment placement opportunities via a global computer network and via mobile applications.) **(526)**: Registration of this mark shall give no right to the exclusive use of the letters "R" and "H" each separately and apart from the mark as a whole. **(730)**: ROBERT HALF INTERNATIONAL INC. of 2884 Sand Hill Road, Suite 200, Menlo Park, California 94025, United States of America **(740)**: Coulson Harney Advocates of P.O. Box 10643 - 00100, Nairobi, Kenya



(210): 117672 **(220):** 07/06/2021

(300): None **(511):** 35(Business risk assessment consulting services; Business risk management consulting services; Business consultancy; Human resources consultancy; Insurance lead collection and matching services, namely, matching consumer requests for insurance policy quotes collected over the internet to pre-qualified insurance brokers, agents and agencies interested in those requests; Business risk management services.) and 36(Insurance brokerage; Insurance underwriting for all types of insurance; Insurance consultancy; Insurance information; Financial management; Financial analysis; Financial consultancy; Financial information; Financial research; Surety services; Insurance agency services; Insurance administration; Insurance claims administration; Actuarial services; Financial risk management services; Financial guarantee services; Financial planning; Financial retirement plan consulting services; Administration of and consulting on employee benefit plans concerning insurance and finance; Insurance services in the nature of loss control management for others; insurance risk management.) **(526):** None **(730):** ACRISURE, LLC of 100 Ottawa Avenue SW, Grand Rapids, MI 49503, United States of America **(740):** Coulson Harney Advocates of P.O. Box 10643 - 00100, Nairobi, Kenya

ACRISURE

(210): 118059 **(220):** 28/06/2021

(300): None **(511):** 1(Chemical used in industry, agriculture, horticulture, forestry, fertilizer for agriculture) and 5(Pesticides, fungicides, herbicides, insecticides acaricides, rodenticides, veterinary preparations) **(526):** Registration of this mark shall give no right to the exclusive use of the words 'Iron' and 'Force' each separately and apart from the mark as a whole. **(730):** JUBAILI AGROTEC LTD of P.O. Box 980 - 00100, Nairobi, Kenya **(740):** None

Iron Force

(210): 118642 **(220):** 06/08/2021

(300): None **(511):** 16(Magazines, books, maps; stationery, notebooks, notepads; calendars, diaries; promotional material, posters; conference materials, writing implements. Plastic materials for packaging (not included in other classes); forms (printed); newsletters; pamphlets; forms (printed); newsletters; pamphlets; printed publications and all printed matter relating to the hotel and hospitality industry.), 35(Consultancy services relating to the administration and management of hotels; business management of resort hotels; hotel management for others; public relations and marketing services; secretarial services provided by hotels; business management of hotels; administrative hotel management; hotels (business management of -); advertising services relating to hotels; business advisory services relating to the running of restaurants; business advisory services relating to the setting up of restaurants; business management of restaurants; business management assistance in the operation of restaurants; business management assistance in the establishment and operation of restaurants; business advice relating to restaurant franchising; procurement services for hotels, namely, purchasing hotel furniture and fixtures for others; supply chain management services; arranging and conducting of business office functions, business conferences, business conventions, business exhibitions, and business meetings; Consultancy services relating to the administration and management of real estate; business management of real estate; advertising services relating to property and real estate; business research, administrative services all relating to houses, business and property; business advisory services in the fields of architecture, interior design and urban planning design;

HEMINGWAYS

Dissemination of advertising matter and material; public relations; publicity; advertising; digital advertising; advertising on vehicles, billboards, websites, publications, flyers, roadshows and exhibitions; business research, preparation of business reports.), 36(Property management services; real estate agency services; real estate management; leasing of real estate; real estate brokerage and management; rental of houses and apartments; real estate appraisals; portfolio management; investment services.), 37(Real estate developments; supervision of construction; facilities construction and maintenance; advisory services relating to renovation and property development; construction, maintenance and repair services. Construction consultancy; construction project management and supervision services; custom construction and building renovation.), 39(Travel arrangements; travel and tour information service; travel and tour ticket reservation service; booking service; organization of excursions, sightseeing tours, holidays, tours and travel.), 41(Health and leisure club services; provision of sport, leisure and recreational facilities; live entertainment and musical entertainment services; nightclub services; arranging and conducting of functions, conferences, conventions, exhibitions, seminars and meetings; Casino, gambling, gaming and betting services; training services relating to the cleaning and maintenance of hotels; education services relating to the provision of restaurant services and guest relations; training relating to the restaurant industry; training relating to the hotel industry.) and 43(Hotel services, provision of accommodation; resort hotel services; temporary accommodation services; reservation services for hotel accommodation services and for other accommodation; bar services, cocktail lounge services; cafe services, restaurant and snack bar services; restaurant reservations; catering services for the provision of food and drink; provision of conference, meeting, event, convention and exhibition facilities; hotel check-in and check-out services; providing banquet and social function facilities for special occasions; travel agency services for the reservation of hotel accommodations; electronic information services relating to hotels; hospitality advisory and consultancy services relating to the aforesaid) (526): None (730): HEMINGWAYS HOSPITALITY LIMITED of P.O. Box 146 - 00502, Nairobi, Kenya (740): Muthoni Advocates of P.O. Box 28397 - 00200, Nairobi, Kenya

(210): 118892 (220): 25/08/2021

(300): None (511): 9(Scientific, nautical, surveying, photographic, cinematographic, optical, weighing, measuring, signalling, checking (supervision), life-saving and teaching apparatus and instruments; apparatus and instruments for conducting, switching, transforming, accumulating, regulating or controlling electricity; apparatus for recording, transmission or reproduction of sound or images; magnetic data carriers, recording discs; compact discs, DVDs and other digital recording media; mechanisms for coin-operated apparatus; cash registers, calculating machines, data processing equipment, computers; computer software; fire-extinguishing apparatus) (526): Registration of this mark shall give no right to the exclusive use of the letters 'E', 'N', 'R' and 'S' each separately and apart from the mark as a whole (730): CANADIAN SOLAR ENERGY KENYA CO. LTD of P.O. Box 14376 - 00100, Nairobi, Kenya (740): None



(210): 118911 **(220):** 26/08/2021
(300): None **(511):** 5(Medicinal and pharmaceutical preparations.) **(526):** None **(730):** SUN PHARMACEUTICAL INDUSTRIES LIMITED of Sun House, Plot No. 201 B/1, Western Express Highway, Goregaon (E), Mumbai - 400 063, Maharashtra, India **(740):** CFL Advocates of P.O. Box 23555 - 00100, Nairobi, Kenya

LIRAPYN

(210): 119216 **(220):** 14/09/2021
(300): None **(511):** 41(Providing sportsbook; casino; gaming, organizing, conducting betting and gambling; computer software; mobile software; online platform via internet-enabled device, competitions; providing of training; entertainment; lotteries; sporting and cultural activities; providing advisory services relating to sportsbook; casino; betting; gaming; lotteries; and competitions.) **(526):** Registration of this mark shall give no right to the exclusive use of the words 'Game', 'Masters' and devices of a 'crown' and 'spade' each separately and apart from the mark as a whole. **(730):** GAME MASTERS KENYA of P.O.Box 615 - 80100, Mombasa, Kenya **(740):** None



(210): 119361 **(220):** 23/09/2021
(300): None **(511):** 33(Alcoholic beverages; except beers; alcoholic preparations for making making beverages) **(526):** Registration of this mark shall give no right to the exclusive use of the words "ORIGINAL" and "BEST" each separately and apart from the mark as a whole. **(730):** ALTROMAK LIMITED An Isle of Man company of P. O. Box 95 2a Lord Street, Douglas Isle of Man, United Kingdom **(740):** Coulson Harney Advocates of P. O. Box 10643 - 00100, Nairobi, Kenya

ORIGINAL BEST

(210): 119876 **(220):** 29/10/2021
(300): None **(511):** 9(Mobile application) **(526):** Registration of this trademark shall give no right to the exclusive use of the word 'hustle' separately and apart from the mark as a whole. **(730):** ANDREW CONSULTING LIMITED of P.O. Box 45546 - 00100, Nairobi, Kenya **(740):** None



(210): 120089 **(220):** 12/11/2021
(300): None **(511):** 5(Fungicide) **(526):** Registration of this mark shall give no right to the exclusive use of the word 'SUPPRESS' separately and apart from the mark as a whole **(730):** JOJEMI CHEMICALS of P.O. Box 953 - 00600, Nairobi, Kenya **(740):** None

JOJEMI SUPPRESS

(210): 120162 **(220):** 19/11/2021
(300): None **(511):** 12(Automobiles and structural parts thereof.) **(526):** None **(730):** TOYOTA JIDOSHA KABUSHIKI KAISHA (also trading as TOYOTA MOTOR CORPORATION) of 1, Toyata-cho, Toyota-shi, Aichi-ken, Japan **(740):** Ndungu Njoroge & Kwach Advocates, P.O.Box 41546 - 00100, Nairobi.



(210): 120171 **(220):** 22/11/2021
(300): None **(511):** 35(Advertising) **(526):** Registration of this mark shall give no right to the exclusive use of the letters 'V' and 'A' each separately and apart from the mark as a whole. **(730):** MR. DICKSON MUCHANGI MWANIKI of P.O. Box 6637-01000, Thika, Kenya **(740):** None



(210): 120173 **(220):** 22/11/2021
(300): None **(511):** 18(Leather and imitations of leather; animal skins and hides; luggage and carrying bags; umbrellas and parasols; walking sticks; whips, harness and saddlery; collars, leashes and clothing for animals.) and 25(clothing, footwear and headwear) **(526):** Registration of this mark shall give no right to the exclusive use of the words 'FINAL TOUCH' each separately and apart from the mark as a whole. **(730):** TASHI'S CLOSET LIMITED of P.O. Box 13407 - 00800, Nairobi, Kenya **(740):** None



(210): 120257 **(220):** 25/11/2021

(300): None **(511):** 3(Non-medicated cosmetics and toiletry preparations; non-medicated dentifrices; perfumery, essential oils; bleaching preparations and other substances for laundry use; cleaning, polishing, scouring and abrasive preparations, perfumes.) **(526):** Registration of this mark shall give no right to the exclusive use of the words 'ROYAL' and 'BLACK' each separately and apart from the mark as a whole. **(730):** SHAIKH MOHD. SAEED EST. of P.O. Box 133 Dubai, United Arab Emirates **(740):** Hamilton Harrison & Mathews Advocates of P.O. Box 30333 - 00100, Nairobi, Kenya

**DANIELLA ALDERIC
ROYAL BLACK**

(210): 120719 **(220):** 21/12/2021

(300): None **(511):** 5(medicines for human purposes; biological preparations for medical purposes; pharmaceutical preparations; vaccines.) **(526):** None **(730):** CANSINO BIOLOGICS, INC. of 401-420, 4/F, Biomedical Park of West Zone, 185 South Avenue, Teda West District, Tianjin, China **(740):** Gitahi Munyi & Associates of P.O. Box 19785 - 00100, Nairobi, Kenya

 CansinoBio

(210): 120739 **(220):** 22/12/2021

(300): None **(511):** 25(Clothing, namely, tops, bottoms, jumpsuits, jackets, overalls, socks, coats, dresses, tights, undergarments, belts; neckwear; gloves; sleepwear; swimwear; rainwear; sleep masks; neck gaiters; headwear; footwear; Clothing; pants; trousers; jeans; slacks; jumpsuits; shirts; sweaters; sweat shirts; vests; jackets; t-shirts; hats; underwear; skirts; undergarments; scarves; headgear; ties; outerwear; bathing suits; raincoat; clothing for dancing; shower caps; sleep masks; shawls; masks) **(526):** Registration of this trade mark shall give no right to the exclusive use of the word 'CHILDREN' separately and apart from the mark as a whole. **(730):** THE CHILDREN'S PLACE, INC. of 500 Plaza Drive, Secaucus, New Jersey, United States of America **(740):** Coulson Harney Advocates of P.O. Box 10643 - 00100, Nairobi, Kenya

**THE CHILDREN'S
PLACE**

(210): 120749 **(220):** 23/12/2021

(300): None **(511):** 5(Pharmaceutical preparations and other preparations for destroying vermin, fungicides, herbicides; Collyrium; Medicated eye washes; Solutions for contact lenses; Cleaning stock solution for contact lenses that increases moisture; Rinsing, cleaning, preserving solution for contact lenses; Eyewash that can be washed with contact lenses; Eye drops that can be instilled with contact lenses; disinfectants for contact lenses; Contact lens solutions for cleaning, disinfecting and preserving purposes; Reagent paper for medical purposes; Oiled paper for medical purposes; Adhesive tapes for medical purposes; Sanitary masks; Wrapping wafers for medicine doses; Gauze for dressings; Empty capsules for pharmaceuticals; Eyepatches for medical purposes; Ear bandages; Menstruation bandages; Menstruation tampons; Sanitary napkins; Sanitary panties; Absorbent cotton; Adhesive plasters; Bandages for dressings; Liquid bandages; Breast nursing pads; Cotton swabs for medical use; Dental materials; Diapers; Diaper covers; Fly catching paper; Mothproofing paper; Lacteal flour for babies; Dietary supplements for humans; Dietetic beverages adapted for medical purposes; Dietetic food adapted for medical purposes; Beverages for babies; Food for babies; Dietary supplements for animals; Semen for artificial insemination.) **(526):** None **(730):** ROHTO PHARMACEUTICAL CO., LTD., a Japanese Corporation of 8-1, Tatsuminishi 1 chome, Ikuno-ku, Osaka-shi, Osaka 544-8666, Japan **(740):** Coulson Harney Advocates of P.O. Box 10643 - 00100, Nairobi, Kenya

**ROHTO
DRY AID**

(210): 120842 **(220):** 13/01/2022

(300): None **(511):** 9(Scientific, research, navigation, surveying, photographic, cinematographic, audiovisual, optical, weighing, measuring, signalling, detecting, testing, inspecting, life-saving and teaching apparatus and instruments; apparatus and instruments for conducting, switching, transforming, accumulating, regulating or controlling the distribution or use of electricity; apparatus and instruments for recording, transmitting, reproducing or processing sound, images or data; recorded and downloadable media, computer software, blank digital or analogue recording and storage media; mechanisms for coin-operated apparatus; cash registers, calculating devices; computers and computer peripheral devices; diving suits, divers' masks, ear plugs for divers, nose clips for divers and swimmers, gloves for divers, breathing apparatus for underwater swimming; fire-extinguishing apparatus), 35(Advertising; business management; business administration; office functions.) and 36(Insurance; financial affairs; monetary affairs; real estate affairs.) **(526):** Registration of this mark shall give no right to the exclusive use of the word "STOCK" separately and apart from the mark as a whole. The English translation of the Swahili word WEZESHA is 'Bring possibilities' and or 'activate' in English. **(730):** ABSA BANK KENYA PLC of Absa Headquarters, 1st Floor, Waiyaki Way, P.O. Box 30120 - 00100, Nairobi, Kenya **(740):** Coulson Harney Advocates of P.O. Box 10643 - 00100, Nairobi, Kenya

WEZESHA STOCK

(210): 121401 **(220):** 18/02/2022

(300): None **(511):** 20(Countertops; trolleys [furniture]; table tops; tables; tables of metal; shelving units; shelves for storage; seats of metal; seats / chairs [seats]; plate racks; packaging containers of plastic; furniture of metal; furniture; doors for furniture; cupboards; counters [tables]; console tables; chopping blocks [tables]; cabinet work; bottle racks; bakers' bread baskets.) and 21(Cooking pots; abrasive pads for kitchen purposes; aerosol dispensers, not for medical purposes; autoclaves, non-electric, for cooking / pressure cookers, non - electric; basins [receptacles]; bowls [basins] / basins [bowls]; cake moulds / cake molds; ceramics for household purposes; coffeepots, non-electric; containers for household or kitchen use; cookery moulds / cookery molds; cooking pot sets; cooking pots; cooking utensils, non-electric; corkscrews, electric and non-electric; couscous cooking pots, non-electric; crystal [glassware]; cups; cutting boards for the kitchen; dishes; drinking glasses; dustbins / garbage cans / refuse bins / trash cans; earthenware / crockery; frying pans; glasses [receptacles]; grills [cooking utensils] / griddles [cooking utensils]; kitchen containers; kitchen utensils; lazy susans; mops; moulds [kitchen utensils] / molds [kitchen utensils]; oven mitts / kitchen mitts / barbecue mitts; pots; salad bowls; saucepan scourers of metal; saucers; sponges for household purposes; stew-pans; table plates) **(526):** None **(730):** NEWMATIC PTE Ltd., a company duly registered under the laws of Singapore of 90 Tanglin Halt Road #35-332, Singapore, 141090, Singapore **(740):** Simba & Simba Advocates of P. O. Box 10312 - 00100, Nairobi, Kenya

NEWMATIC

(210): 121428 (220): 22/02/2022
(300): None (511): 35(Advertising; Business Management; Business Administration; Manufacturing; Wholesale and retail of consumer goods, including but not limited to fast moving consumer goods and consumer packaged goods.) (526): ERegistration of this mark shall give no right to the exclusive use of the letter "E" separately and apart from the whole mark. (730): HAVILAH BRANDS KENYA LTD of P.O. Box 73969 - 00200, Nairobi, Kenya (740): None



(210): 121484 (220): 25/02/2022
(300): None (511): 35(Advertising, business and retail services) (526): Registration of this mark shall give no right to the exclusive use of the word 'TOWERS' and the device of a 'Building' each separately and apart from the mark as a whole. (730): ABDILATIF HASHIM MAALIM of P.O. Box 134 - 60500, Marsabit, Kenya (740): None



(210): 121547 (220): 03/03/2022
(300): None (511): 42(Software services) (526): None (730): SPIN MOBILE LTD of 2nd Floor, Block C, Cassia Complex, Kiambere Road, Upperrhill, Nairobi, Kenya (740): None

SPIN REPORT

(210): 121548 (220): 03/03/2022
(300): None (511): 25(Clothing, Footwear, Headgear) (526): Registration of this mark shall give no right to the exclusive use of the word 'APPARELS' separately and apart from the mark as a whole. The translation into English of the Somali word "WALALOS" is "brothers" (730): IMRAN MOHAMMED AHMED of P. O. Box 871 - 20500, Narok, Kenya (740): None

WALALOS APPAREL

(210): 121552 (220): 03/03/2022
(300): None (511): 3(Toothpaste, mouthwash, cosmetic teeth whiteners.) and 21(Toothbrushes, interdental cleaners, dental floss.) (526): None (730): COLGATE-PALMOLIVE COMPANY (A Delaware Corporation) of 300 Park Avenue New York, NY 10022, United States of America (740): Coulson Harney Advocates of P.O. Box 10643 - 00100, Nairobi, Kenya



(210): 121579 (220): 08/03/2022
(300): None (511): 5(dietary fibre / dietary fiber; dietary supplements for animals; fish meal; medicated animal feed; protein supplements for animals) and 31(algae, unprocessed, for human or animal consumption/seaweed, unprocessed, for human or animal consumption; animal foodstuffs; animal fattening preparations; beverages for animals; fish meal for animal consumption; meal for animals) (526): Registration of this mark shall give no right to the exclusive use of the word "NUTRITION" separately and apart from the mark as a whole. The word TUNGA has no English translation. (730): TUNGA NUTRITION (K) LIMITED of P. O. Box 30096 - 00100, Nairobi, Kenya (740): GITAHU MUNYI & ASSOCIATES, P. O. Box 19785 - 00100, Nairobi



(210): 121581 **(220):** 08/03/2022

(300): None **(511):** 5(dietary fibre / dietary fiber; dietary supplements for animals; fish meal; medicated animal feed; protein supplements for animals) and 31(algae, unprocessed, for human or animal consumption/seaweed, unprocessed, for human or animal consumption; animal foodstuffs; animal fattening preparations; beverages for animals; fish meal for animal consumption; meal for animals) **(526):** Registration of this mark shall give no right to the exclusive use of the word "NUTRITION" separately and apart from the mark as a whole. The word Tunga has no English translation. **(730):** TUNGA NUTRITION (K) LIMITED of P. O. Box 30096-00100, Nairobi, Kenya **(740):** GITAHI MUNYI & ASSOCIATES,P.O. Box 19785 - 00100, The Mirage Chiromo Road Tower 2 Suite No. 1, 2nd Floor, Nairobi

**Tunga
Nutrition**

(210): 121582 **(220):** 08/03/2022

(300): None **(511):** 5(dietary fibre / dietary fiber; dietary supplements for animals; fish meal; medicated animal feed; protein supplements for animals) and 31(Algae, unprocessed, for human or animal consumption/seaweed, unprocessed, for human or animal consumption; animal foodstuffs; animal fattening preparations; beverages for animals; fish meal for animal consumption; meal for animals) **(526):** Registration of this mark shall give no right to the exclusive use of the word "NUTRITION" separately and apart from the mark as a whole. TUNGA has no English translation nor is it descriptive or a Geographical indication. **(730):** TUNGA NUTRITION (K) LIMITED of P. O. Box 30096 - 00100, Nairobi, Kenya **(740):** Gitahi Munyi & Associates of P.O. Box 19785 - 00100, Nairobi, Kenya

 **Tunga
Nutrition**

(210): 121583 **(220):** 08/03/2022

(300): None **(511):** 5(Dietary fibre / dietary fiber; dietary supplements for animals; fish meal; medicated animal feed; protein supplements for animals) and 31(Algae, unprocessed, for human or animal consumption/seaweed, unprocessed, for human or animal consumption; animal foodstuffs; animal fattening preparations; beverages for animals; fish meal for animal consumption; meal for animals) **(526):** Registration of this mark shall give no right to the exclusive use of the word "Nutrition" separately and apart from the mark as a whole. 'Tunga' has no English meaning or translation. **(730):** TUNGA NUTRITION (K) LIMITED of P. O. Box 30096 - 00100, Nairobi, Kenya **(740):** Gitahi Munyi & Associates of P.O. Box 19785 - 00100, Nairobi, Kenya

**Tunga
Nutrition**
GROWING TOGETHER

(210): 121685 **(220):** 15/03/2022

(300): None **(511):** 30(Maize flour) **(526):** Registration of this mark shall give no right to the exclusive use of the word "MILLERS" and the device of "maize cobs" each separately and apart from the mark as a whole. 'MAKINI' is a Swahili word meaning Dilligent/Care in a job or activity in English **(730):** EPHANTUS KINGOR'I MUKUNDI of P.O. Box 32522 - 00600, Nairobi, Kenya **(740):** None



(210): 121722 **(220):** 18/03/2022

(300): None **(511):** 12(Vehicles; apparatus for locomotion by land, air or water) **(526):** None **(730):** TATA SONS PRIVATE LTD, a company organized under the laws of India of Bombay House, 24 Homi Mody street, Mumbai - 400 001, India **(740):** Kaplan & Stratton Advocates of P.O. Box 40111 - 00100, Nairobi, Kenya

TATA

(210): 121723 (220): 18/03/2022

(300): None (511): 12(Vehicles; apparatus for locomotion by land, air or water) (526): None (730): TATA SONS PRIVATE LTD., a company organized under the laws of India of Bombay House, 24 Homi Mody street, Mumbai - 400 001, India (740): Kaplan & Stratton Advocates of P. O. Box 40111 - 00100, Nairobi, Kenya



(210): 121724 (220): 18/03/2022

(300): None (511): 12(Vehicles; apparatus for locomotion by land, air or water) (526): Registration of this mark shall give no right to the exclusive use of the word "MOTORS" separately and part from the mark as a whole (730): TATA SONS PRIVATE LTD., a company organized under the laws of India of Bombay House, 24 Homi Mody street, Mumbai - 400 001, India (740): Kaplan & Stratton Advocates of P. O. Box 40111 - 00100, Nairobi, Kenya

TATA MOTORS

(210): 121749 (220): 21/03/2022

(300): None (511): 2(Paints, varnishes, lacquers; preservatives against rust and against deterioration of wood; colorants; mordants; raw natural resins; metals in foil and powder form for painters, decorators, printers and artists.) (526): The mark is restricted to colours Blue and White (730): PPG INDUSTRIES OHIO, INC of 3800 West 143rd Street Cleveland, State of Ohio 44111, United States of America (740): Kaplan & Stratton Advocates of P. O. Box 40111 - 00100, Nairobi, Kenya



(210): 121922 (220): 04/04/2022

(300): None (511): 31(Grains and agricultural, horticultural and forestry products not included in other classes; live animals; fresh fruits and vegetables, natural plants and flowers; foodstuffs and beverages for animals; poultry) (526): Registration of this mark shall give no right to the exclusive use of the word "SIHA" and the devices of "maize", "wheat leaves" and "mountain "each" separately and apart from the mark as a whole. 'SIHA' means stamina /energy and vitality (730): MOUNT KENYA MANUFACTURERS AND MILLERS LIMITED of P. O. Box 90 - 60401, Chogoria, Kenya (740): None



(210): 121993 (220): 08/04/2022

(300): None (511): 6(Safes, fireproof cabinets and strong room steel doors), 16(Printed matter; stationery; letter heads; business cards, invoices, brochures, flyers and receipt books.) and 43(Supply of safes, fireproof cabinets, security equipment, CCTV and access control systems.) (526): Registration of this mark shall give no right to the exclusive use of the letters "S" and "O" each separately and apart from the mark as a whole. (730): SAFES AND OFFICE SECURITY SYSTEMS LIMITED of P. O. Box 5269 - 00506, Nairobi, Kenya (740): None



(210): 122165 (220): 26/04/2022

(300): None (511): 44(Providing information in the field of general health and well-being, immunological diseases, oncology, infectious diseases, neurological diseases, cardiovascular diseases, metabolic diseases, central nervous system diseases and peripheral nervous system diseases) (526): None (730): JOHNSON & JOHNSON of One Johnson & Johnson Plaza, New Brunswick, New Jersey, 08933, United States of America (740): Kaplan & Stratton Advocates of P. O. Box 40111 - 00100, Nairobi, Kenya

JANSSEN WITH ME

(210): 122193 **(220):** 27/04/2022

(300): None **(511):** 12(Safety seats for children, for vehicles; infant car seats; vehicle booster seats for children; perambulators incorporating carry cots; prams; baby carriages; baby carriage hood; fitted footmuffs for prams/baby carriages; pushchairs; strollers; pushchairs for use with carry cots; fitted footmuffs for strollers/pushchairs; bags adapted for pushchairs/strollers/ car seats; pushchair/stroller covers; pushchair/stroller hoods; car seat bases; accessories for strollers and car seats.), 20(Beds for babies/infants; baby rocking beds; baby changing diaper pad; baby changing mats; head support cushions for babies; anti-roll cushions for babies; head positioning pillows for babies; babies/infants sleeping pads / sleeping mats; bumper guards for cots/cribs, other than bed linen; rocking chairs; baby bouncer; swing chairs; baby/infant walkers; highchairs for babies; highchair accessories; carry cots; cots / cribs for babies; bassinets; travel cots; cradles; bags adapted for travel cots; playpens for babies; mats for infant playpens) and 28(Toy bars for hanging toy mobiles; toy bars that attach to swings for babies; toy bars that attach to highchairs for babies; plush toys; stuffed toys; infant/baby swings; infant/baby swings accessories.) **(526):** None **(730):** JOIE INTERNATIONAL CO., LIMITED of 31/F, Tower Two, Times Square, 1 Matheson Street, Causeway Bay, Hong Kong **(740):** Ndungu Njoroge & Kwach Advocates of P.O. Box 41546 - 00100, Nairobi, Kenya

JOIE**(210):** 122194 **(220):** 27/04/2022

(300): None **(511):** 12(Safety seats for children, for vehicles; infant car seats; vehicle booster seats for children; perambulators incorporating carry cots; prams; baby carriages; baby carriage hood; fitted footmuffs for prams/baby carriages; pushchairs; strollers; pushchairs for use with carry cots; fitted footmuffs for strollers/pushchairs; bags adapted for pushchairs/strollers /car seats; pushchair/stroller covers; pushchair/stroller hoods; car seat bases; accessories for strollers and car seats.), 20(Beds for babies/infants; baby rocking beds; baby changing diaper pad; baby changing mats; head support cushions for babies; anti-roll cushions for babies; head positioning pillows for babies; babies/infants sleeping pads / sleeping mats; bumper guards for cots/cribs, other than bed linen; rocking chairs; baby bouncer; swing chairs; baby/infant walkers; highchairs for babies; highchair accessories; carry cots; cots /cribs for babies; bassinets; travel cots; cradles; bags adapted for travel cots; playpens for babies; mats for infant playpens) and 28(Toy bars for hanging toy mobiles; toy bars that attach to swings for babies; toy bars that attach to highchairs for babies; plush toys; stuffed toys; infant/baby swings; infant/baby swings accessories.) **(526):** None **(730):** JOIE INTERNATIONAL CO., LIMITED of 31/F, Tower Two, Times Square, 1 Matheson Street, Causeway Bay, Hong Kong **(740):** Ndungu Njoroge & Kwach Advocates of P.O. Box 41546 - 00100, Nairobi, Kenya

Joie

(210): 122351 **(220):** 10/05/2022

(300): None **(511):** 41(Education; providing of training; entertainment; sporting and cultural activities) **(526):** Registration of this mark shall give no right to the exclusive use of the words "BIMA", "INSURANCE", "DISCOVER", "KENYA" and letters "T" and "V" each separately and apart from the mark as a whole. 'Bima' is a Swahili word meaning 'Insurance' in English. **(730):** ELIUD THUO MATHERI of P.O. Box 6828 - 00100, Nairobi, Kenya **(740):** None


 Bima TV
 Discover Insurance

(210): 122427 (220): 13/05/2022

(300): None (511): 9(Downloadable computer software for use as an application programming interface; software for ordering and purchasing goods and services; downloadable e-commerce computer software to allow users to perform electronic business transactions via a global computer and communication networks; downloadable software for application and database integration; downloadable software for managing and validating cryptocurrency transactions using blockchain technology; downloadable computer software for use as a cryptocurrency wallet; downloadable software for authorizing access to databases; downloadable software for the collection, editing, organizing, modifying, bookmarking, transmission, storage, and sharing of data and information; downloadable software to allow customers to access the financial account information; downloadable computer software for managing and -validating cryptocurrency transactions using blockchain-based smart contracts; downloadable computer software for computer system and application development, deployment, and management; downloadable software for use in electronic storage of data; downloadable software for encryption; computer hardware; blockchain; software for use with digital currency; software for use with cryptocurrency; software for use with virtual currency; downloadable computer software for use as a cryptocurrency wallet; cryptocurrency hardware wallet; software development tools; software for use as an application programming interface (API); application programming interface (API) for use in building software applications; software for the collection, managing, editing, organizing, modifying, transmission, sharing, and storage of data and information; software for digital currency payment and exchange transactions; software for use in managing portfolios of digital currency, virtual currency, cryptocurrency, digital and blockchain assets, digitized assets, digital tokens, crypto tokens, and utility tokens; distributed ledger platform software; software that facilitates the ability of users to view, analyze, record, store, monitor, manage, trade, and exchange digital currency, virtual currency, cryptocurrency, digital and blockchain assets, digitized assets, digital tokens, crypto tokens, and utility tokens; software for sending, receiving, accepting, buying, selling, storing, transmitting, trading, and exchanging digital currency, virtual currency, cryptocurrency, digital and blockchain assets, digitized assets, digital tokens, crypto tokens, and utility tokens; software for implementing and recording financial transactions; software for creating accounts and maintaining and managing information about financial transactions on distributed ledgers and peer to peer payment networks; software for use in financial trading; software for use in financial exchange; software for accessing financial information and market data and trends; software for settling financial transactions; software for providing authentication of parties to a financial transaction; software for maintaining ledgers for financial transactions; software for the management of cryptographic security of electronic transmissions across computer networks; software for encrypting and enabling secure transmission of digital information over the Internet; software for allowing users to calculate parameters related to financial transactions; distributed ledger software for use in processing financial transactions; software for electronic funds transfer; software for currency conversion; software for the collection and distribution of data; software for payment transactions;

META PAY

software for connecting computers to local databases and global computer networks; software for creating searchable databases of information and data; software for managing and validating digital currency, virtual currency, cryptocurrency, digital asset, blockchain asset, digitized asset, digital token, crypto token, and utility token transactions; software for creating and managing smart contracts; software for managing payment and exchange transactions; software and hardware for use as a digital currency wallet; software and hardware for use as a virtual currency wallet; software and hardware for use as a digital asset wallet; software and hardware for use as a digital token wallet; software and hardware for use as a crypto token wallet; software and hardware for use as a utility token wallet; software for creating a decentralized and open-source digital currency for use in blockchain-based transactions; software for creating a decentralized and open-source virtual currency for use in blockchain-based transactions; software for creating a decentralized and open-source cryptocurrency for use in blockchain-based transactions; software for creating a decentralized and open-source digitized asset for use in blockchain-based transactions; software for creating a decentralized and open-source digital token for use in blockchain-based transactions; software for users to buy and sell products by using digital currency, virtual currency, cryptocurrency, digital and blockchain assets, digitized assets, digital tokens, crypto tokens, and utility tokens; software platforms for facilitating transactions and payments using digital currency, virtual currency, cryptocurrency, digital and blockchain assets, digitized assets, digital tokens, crypto tokens, or utility tokens that allow users to buy from, and sell products and services to others; computer application software for blockchain-based platforms, namely, software for digital exchanges for virtual items; software for creating, selling, and managing blockchain-based tokens or app coins; software for use in an electronic financial platform; software for processing electronic payments and for transferring funds to and from others; software for transfers of digital currency, virtual currency, cryptocurrency, digital and blockchain assets, digitized assets, digital tokens, crypto tokens and utility tokens between parties; blockchain platform software; software for use in the management and implementation of digital currency, virtual currency, cryptocurrency, digital and blockchain asset, digitized asset, digital token, crypto token, and utility token transactions; software for creating and managing a blockchain platform for use in managing digital currency, virtual currency, cryptocurrency, digital and blockchain assets, digitized assets, digital tokens, crypto token and utility token accounts; software for managing cryptocurrency and digital currency accounts; software for use in payments, purchases, and investments using digital currency, virtual currency, cryptocurrency, digital and blockchain assets, digitized assets, digital tokens, crypto tokens, and utility tokens; software for use in enabling the electronic transfer of funds to and from others; software for use in managing the conversion of digital currency, virtual currency, cryptocurrency, digital and blockchain assets, digitized assets, digital tokens, crypto tokens and utility tokens into hard currency; software for developing, deploying, and managing software applications, and integrating software applications for digital currency, virtual currency, cryptocurrency, digital and blockchain asset, digitized asset, digital token, crypto token and utility token accounts; software for use in facilitating the use of a blockchain or distributed electronic ledger to execute

and record financial transactions, namely, financial trades made with the use of digital currency, virtual currency, cryptocurrency, digital and blockchain assets, digitized assets, digital tokens, crypto tokens, and utility tokens; software and hardware for use in electronically exchanging currency for digital currency, virtual currency, cryptocurrency, digital and blockchain assets, digitized assets, digital tokens, crypto tokens, and utility tokens; software for use as an application programming interface (API) for the development, testing, and integration of blockchain software applications; computer hardware for digital currency, virtual currency, cryptocurrency, digital and blockchain assets, and digitized asset mining; security token hardware; electronic currency converters; software, namely, electronic financial platform that accommodates multiple types of payment and transactions in an integrated mobile phone, PDA, and web-based environment; software for creating tokens to be used to pay for products and services, and that may be traded or exchanged for cash value; software for use in securely managing the conversion of digital currency, virtual currency, cryptocurrency, digital and blockchain assets, digitized assets, digital tokens, crypto tokens, and utility tokens into hard currency; software for managing digital currency, virtual currency, cryptocurrency, digital and blockchain assets, digitized assets, digital tokens, crypto tokens, and utility token payments, money transfers, and commodity transfers; software for facilitating money transfers, electronic funds transfers, commodity transfers, bill payment remittance, and transferring funds between parties; software for use as an application program interface API software for use in computer hardware device identification; software for use in authenticating user access to computers and computer networks; software for use in facilitating secure transactions; software for use in accessing, reading, tracking, and using blockchain technology; software and hardware for managing identity information, access rights to information resources and applications and authentication functionality; software for network identification verification, authentication and management services for security purposes; authentication software for controlling access to and communications with computers and computer networks; magnetically encoded credit cards, debit cards, and payment cards; encryption devices; security tokens; software used in issuing digital currency, virtual currency, cryptocurrency, digital and blockchain assets, digitized assets, digital tokens, crypto tokens, and utility tokens; software used in auditing digital currency, virtual currency, cryptocurrency, digital and blockchain assets, digitized assets, digital tokens, crypto tokens and utility tokens.), 35(Marketing, advertising, and promotion services; business information; provision of market research and information services; promoting the goods and services of others via computer and communication networks; business and advertising services; market intelligence services; facilitating the exchange and sale of services and products of third parties via computer and communication networks; providing online marketplaces for sellers of goods and/or services; providing online facilities for connecting sellers with buyers; providing a website featuring an online marketplace for selling and trading virtual goods with other users; online trading services; arranging and conducting special events for commercial, promotional, or advertising purposes; arranging and conducting special events for business purposes; blockchain as a service, namely, business advice and information in the field of blockchain technology.),

36(Financial services, namely, investment services, money lending, administration of transactions, trading of financial instruments and digital currency, and investment fund transfer and transaction services; financial services, namely, providing a virtual currency for use by users of an online community via a global computer network; financial services, namely, providing electronic transfer of virtual currency for use by users of an online community via a global computer network; financial services, namely, financial transactions services; provision of financial services by means of a global computer network; financial services, namely, virtual currency transfer services, cryptocurrency trading services, cryptocurrency exchange services and cryptocurrency payment processing services; financial services, namely, financial exchange of virtual currencies; financial services, namely payment transaction processing services; financial transaction processing services, namely, providing secure commercial transactions and payment options; financial services, namely, financing services; financial exchange; financial affairs, namely, financial management, financial planning, financial forecasting, financial portfolio management and financial analysis and consultation; financial information provided by electronic means; business brokerage services; investment brokerage services; mortgage brokerage services; securities brokerage services; futures brokerage services; financial brokerage services for financial instruments, cryptocurrency, and digital currency trading; currency dealing services; digital currency services; cryptocurrency services; virtual currency services; digital currency wallet and storage services; electronic banking services via a global computer network; currency trading; payment processing services; digital currency, virtual currency, cryptocurrency, digital and blockchain assets, digitized assets, digital token, crypto token, and utility token trading services; digital currency, virtual currency, cryptocurrency, digital and blockchain asset, digitized asset, digital token, crypto token and utility token processing services for others; facilitating transfers of electronic cash equivalents; providing financial information in the nature of the digital currency, virtual currency, cryptocurrency, digital and blockchain asset, digitized asset, digital token, crypto token, and utility token ratings; providing financial information in the fields of digital currency, virtual currency, cryptocurrency, digital and blockchain asset, digitized asset, digital token, crypto token and utility token markets; news reporting services in the field of financial news; financial services, namely, providing virtual currency services for use by members of an online community via a global computer network; issuance of tokens of value; management of digital currency, virtual currency, cryptocurrency, digital and blockchain assets, digitized assets, digital tokens, crypto tokens and utility tokens; financial services, namely, providing a financial exchange for the trading of digital currency, virtual currency, cryptocurrency, digital and blockchain assets, digitized assets, digital tokens, crypto tokens and utility tokens; cryptocurrency trading services; cryptocurrency exchange services; cryptocurrency payment processing; electronic payment services; electronic wallet services; processing electronic payments through electronic wallet services; currency management services; currency transfer services; financial services, namely, providing electronic transfer of digital currency, virtual currency, cryptocurrency, digital and blockchain assets, digitized assets, digital tokens, crypto tokens and utility tokens; financial consultation in the field of digital

currency, virtual currency, cryptocurrency, digital and blockchain assets, digitized assets, digital tokens, crypto tokens and utility tokens; providing electronic processing and tracking of electronic funds transfers; currency exchange services; investment management services; money exchange services; management of digital asset investment portfolios; custodial services for financial institutions and funds; listing and trading of swaps and derivatives on digital currency, virtual currency, cryptocurrency, digital and blockchain assets, digitized assets, digital tokens, crypto tokens and utility tokens; monetary exchange; exchanging money; clearing and reconciling financial transactions; electronic funds transfer; financial information services; electronic financial trading services; electronic financial trading, namely, trading of the field of digitized assets; providing on-demand and rear-time financial information about digital currency, virtual currency, cryptocurrency, digital and blockchain assets, digitized assets, digital tokens, crypto tokens and utility tokens; providing a website featuring financial information regarding digital currency, virtual currency, cryptocurrency, digital and blockchain assets, digitized assets, digital token, crypto token, and utility token payments; providing information in the fields of investment and finance over computer networks and global communication networks; electronic trading of financial instruments; electronic commerce payment services; Processing of credit card payments; Processing of debit card payments; Electronic credit card, debit card, and gift card transaction processing services; Insurance consultancy; Insurance information; Insurance services, namely underwriting in the field of financial services; Insurance claims processing.), 42(Design and development of computer hardware and software; computer services; application service provider (ASP) services; software as a service (SaaS) services; platform as a service (PaaS) services; providing cloud computing software; providing software enabling users to invest in digital currency, virtual currency, cryptocurrency, digital and blockchain assets, digitized assets, digital tokens, crypto tokens and utility tokens; providing distributed ledger technology; providing software for use in managing portfolios of digital currency, virtual currency, cryptocurrency, digital and blockchain asset, digitized asset, digital token, crypto token and utility token assets; providing software that facilitates the ability of users to view, analyze, record, store, monitor, manage, trade and exchange digital currency, virtual currency, cryptocurrency, digital and blockchain assets, digitized assets, digital tokens, crypto tokens and utility tokens; providing software for sending, receiving, accepting, buying, selling, storing, transmitting, trading and exchanging digital currency, virtual currency, cryptocurrency, digital and blockchain assets, digitized assets, digital tokens, crypto tokens and utility tokens; providing software for implementing and recording financial transactions, for creating accounts and maintaining and managing information about financial transactions on distributed public ledgers and peer to peer payment networks; providing software for processing electronic payments and for transferring funds to and from others; providing electronic financial platform software; providing software for use as an application programming interface (API) for the development, testing, and integration of blockchain software applications; providing software for transfers of digital currency, virtual currency, cryptocurrency, digital and blockchain assets, digitized assets, digital tokens, crypto tokens and utility tokens between parties; providing

software for use in financial trading; providing software for use in financial exchange; providing software for use in accessing financial information and market data and trends; providing software for settling financial transactions, for providing authentication of parties to a financial transaction, for maintaining ledgers for financial transactions; providing software for the management of cryptographic security of electronic transmissions across computer networks; providing software for use with digital currency; providing software for use with cryptocurrency; providing software for use with virtual currency; providing software for use with digital currency wallet and storage services; providing software for digital currency payment and exchange transactions; providing distributed ledger software for use in processing financial transactions; providing software for electronic funds transfer; providing software for currency conversion; providing software for the collection and distribution of data; providing software for payment transactions; providing software for connecting computers to local databases and global computer networks; providing software for creating searchable databases of information and data, providing software for managing and validating digital currency, virtual currency, cryptocurrency, digital asset, blockchain asset, digitized asset, digital token, crypto token and utility token transactions; providing software for creating and managing smart contracts; providing software for managing payment and exchange transactions; providing software for electronically exchanging currency for digital currency, virtual currency, cryptocurrency, digital and blockchain assets, digitized assets, digital tokens, crypto tokens and utility tokens; providing software for use in enabling the electronic transfer of funds to and from others; providing software for creating a decentralized and open-source digital currency for use in blockchain-based transactions; providing software for creating a decentralized and open-source virtual currency for use in blockchain-based transactions; providing software for creating a decentralized and open-source cryptocurrency for use in blockchain-based transactions; providing software for creating a decentralized and open-source digitized asset for use in blockchain-based transactions; providing software for creating a decentralized and open-source digital token for use in blockchain-based transactions; providing software for encrypting and enabling secure transmission of digital information over the Internet, as well as over other modes of communication between computing devices; providing software for allowing users to calculate parameters related to financial transactions; distributed ledger platform software for use in processing financial transactions; providing software for electronic funds transfer and currency conversion; providing software for use in securely managing the conversion of digital currency, virtual currency, cryptocurrency, digital and blockchain assets, digitized assets, digital tokens, crypto tokens and utility tokens into hard currency; providing a web portal featuring blogs and non-downloadable publications in the nature of articles, columns, and informational guides in the fields of virtual currencies, digital and blockchain assets and market and trading trends; providing a web portal for users to access information in the field of virtual currencies, digital and blockchain assets; platform as a service (PaaS) featuring computer software platforms for the selling and purchasing of digital currency, virtual currency, cryptocurrency, digital and blockchain assets, digitized assets, digital tokens, crypto tokens and utility tokens; software as a service (SaaS) featuring

computer software platforms for the selling and purchasing of digital currency, virtual currency, cryptocurrency, digital and blockchain assets, digitized assets, digital tokens, crypto tokens and utility tokens; computer services, namely, creating an online virtual environment for the selling and purchasing of digital currency, virtual currency, cryptocurrency, digital and blockchain assets, digitized assets, digital tokens, crypto tokens and utility tokens; platform as a service (PaaS) featuring computer software platforms for managing blockchain and token driven, distributed storage computer systems; software as a service (SaaS) featuring computer software platforms for managing blockchain and token driven, distributed storage computer systems; computer services, namely, providing a decentralized electronic file storage system and open-source cloud storage platform; computer services, namely, providing a decentralized electronic object storage platform for end-to-end encrypted and powered by blockchain and blockchain payments; computer services, namely, providing secure, private encrypted cloud storage services; computer services, namely, providing electronic peer-to-peer data storage is distributed across unused customer electronic storage resources; computer services, namely, providing an open-source decentralized cloud storage platform; data encryption services featuring blockchain software technology and peer-to-peer protocols to provide secure, private, and encrypted cloud storage; distributed, electronic storage of electronic media, namely, data, documents, files, text, photos, images, graphics, music, audio, video, and multimedia content; providing software for use as a cryptocurrency wallet; providing software for democratically managing digital exchanges for virtual items through smart contracts; data mining; providing software for use in trading, clearing, transmitting, receiving, storing, confirmation, and financial trading risk management for exchange market transactions in the fields of digital currency, virtual currency, cryptocurrency, digital and blockchain assets, digitized assets, digital tokens, crypto tokens and utility tokens; platform as a service (PaaS) featuring software platforms for authenticating, facilitating, matching, processing, clearing, storing, receiving, tracking, transferring, and submitting trade data, exchanging of trading transaction details, and management of the overall trading lifecycle; software as a service (SaaS) featuring software platforms for authenticating, facilitating, matching, processing, clearing, storing, receiving, tracking, transferring, and submitting trade data, exchanging of trading transaction details, and management of the overall trading lifecycle; providing software for use with blockchain technology; software as a service (SaaS) services featuring software for clearing, allocation, compliance, recordation and settlement of trading related to digital currency, virtual currency, cryptocurrency, digital and blockchain assets, digitized assets, digital tokens, crypto tokens and utility tokens; platform as a service (PaaS) services featuring software for clearing, allocation, compliance, recordation and settlement of trading related to digital currency, virtual currency, cryptocurrency, digital and blockchain assets, digitized assets, digital tokens, crypto tokens and utility tokens; platform as a service (PaaS) featuring software platforms for facilitating transactions and payments using digital currency, virtual currency, cryptocurrency, digital and blockchain assets, digitized assets, digital tokens, crypto tokens and utility tokens that allow users to buy from, and sell products and services to others; software as a service (SaaS) featuring software platforms for facilitating transactions and

payments using digital currency, virtual currency, cryptocurrency, digital and blockchain assets, digitized assets, digital tokens, crypto tokens and utility tokens that allow users to buy from, and sell products and services to others; blockchain-based software platforms and distributed computing software platforms for auditing and verifying digital information and codes; design, development and implementation of audit and security software for blockchain-based platforms; providing software for use in facilitating secure transactions; providing software for auditing digital currency, virtual currency, cryptocurrency, digital and blockchain assets, digitized assets, digital tokens, crypto tokens and utility tokens; software platforms for decentralized blockchain style communication; software platforms for the tracking and support of data transactions; design, development, and implementation of software for distributed computing platforms; design, development, and implementation of software for blockchain; design, development, and implementation of software solutions for digital currency security; design, development, and implementation of software for digital currency, virtual currency, cryptocurrency, digital and blockchain asset, digitized asset, digital token, crypto token and utility token wallets; design, development, and implementation of software for third-party verification services for digital currency transactions, including but not limited to transactions involving bitcoin currency; providing temporary use of non-downloadable software for use in collecting, transferring, receiving, tracking, storing and transferring bitcoin; providing software for use in collecting, transferring, receiving, tracking, storing and transferring peer-to-peer currency; providing software for users to buy and sell products by using digital currency, virtual currency, cryptocurrency, digital and blockchain assets, digitized assets, digital tokens, crypto tokens and utility tokens; providing software platforms for facilitating transactions and payments using digital currency, virtual currency, cryptocurrency, digital and blockchain assets, digitized assets, digital tokens, crypto tokens or utility tokens that allow users to buy from, and sell products and services to others; providing software for use in accessing, reading, tracking, and using blockchain technology; technical consultancy services related to digital currency, virtual currency, cryptocurrency, digital and blockchain asset, digitized asset, digital token, crypto token and utility token transactions; platform as a service (PaaS) featuring computer software platforms for computing, system and application development, deployment, and management; software as a service (SaaS) featuring computer software platforms for computer systems and application development, deployment, and management; providing software enabling users to develop, build and run distributed applications through an open-source peer-to-peer smart- contract and payment network platform; providing cloud-based computer network identification verification, authentication and management services for security purposes; secure hosted management, storage and administration of passwords, credentials and identity information relating to persons, accounts and devices for security purposes; providing authentication software for controlling access to and communications with computers and computer networks; providing software for use in the exchange of virtual items; providing software for selling, trading and managing blockchain-based tokens or app coins; providing a digital exchange; providing software for use in issuing digital currency, virtual currency, cryptocurrency, digital and

blockchain assets, digitized assets, digital tokens, crypto tokens and utility tokens; providing cloud-based network identification verification, authentication and management services for security purposes; providing software for managing digital currency, virtual currency, cryptocurrency, digital and blockchain assets, digitized assets, digital tokens, crypto tokens and utility token payments, money transfers, and commodity transfers; providing software for facilitating money transfers, electronic funds transfers, commodity transfers, bill payment remittance, and transferring funds between parties; authentication services namely, internet authentication services; providing authentication personal identification information; authentication services, namely, user authentication services; Providing user authentication services of electronic funds transfer, credit and debit card and electronic check transactions using single sign-on and software technology; application service provider (ASP) services, featuring e-commerce software for use as a payment gateway that authorizes the processing of credit cards or direct payments for merchants.) and 45(Authentication services, namely, identity validation services; authentication services, namely providing authentication of personal or company identification information for security purposes; online social networking services; online social investment network in the nature of an on-line social networking services in the field of investments; user verification services; identification verification services; providing a website featuring information on the development of privacy, security, blockchain and distributed ledger technologies, and data governance law; regulatory compliance consultancy in the field of digital currency, virtual currency, cryptocurrency, digital and blockchain asset, digitized asset, digital token, crypto token and utility token applications; online social networking service for investors allowing financial trades and exchange of digital currency, virtual currency, cryptocurrency, digital and blockchain assets, digitized assets, digital tokens, crypto tokens and utility tokens; provision of user authentication services.)

(526): Registration of this mark shall give no right to the exclusive use of the word 'PAY' separately and apart from the mark as a whole. **(730):** META PLATFORMS, INC. of 1601 Willow Road, Menlo Park, California 94025, United States of America **(740):** Ndungu Njoroge & Kwach of P.O. Box 41546 - 00100, Nairobi, Kenya

(210): 122547 **(220):** 23/05/2022

(300): None **(511):** 22(Nets, sacks,bags) and 37(Building construction; repair, installation services) **(526):** None **(730):** IRRI-HUB KE LTD of P. O. Box 3447 - 00100, Hurlingham, Marcus Garvey, Next to Mama Oliech, Nairobi, Kenya **(740):** None



(210): 122556 (220): 24/05/2022

(300): None (511): 9(Cinematographic and photographic films; sound and video recordings; recorded television and radio programmes; motion pictures; animated cartoons; data recordings, data recordings in audio, video, still and moving images and text, also in interactive format; programmes and web-based audiovisual content for broadcast or other transmission on television, radio, mobile telephones, personal digital assistants and personal computers, and ill 3D format; apparatus for recording, broadcasting, transmission, receiving, processing, generating, reproducing, distributing, re-distributing, tracking, tagging, encoding and decoding of audio and video content, still and moving images, data and metadata; magnetic data carriers, recording discs, memory carriers, compact discs, interactive compact discs, CD-ROMs and DVDs, mini-disks, CD-ls, tapes, cassettes, cartridges, cards and other carriers, all bearing or for use in bearing sound recordings, video recordings, data, metadata, images, graphics, text or programs; software; computer programs; computer software; computer software for use 10 downloading, storing, processing, reproducing, organising, distributing and re-distributing audio, video, still and moving images and data; application software; application software for mobile phones, wearable digital electronic devices and other portable digital devices; virtual reality software; virtual reality headsets; educational and learning software, electronic educational and learning apparatus and instruments; IP-based computer software for the production, formatting, management and distribution Of sound, images and data; DVD game software; computer games software; computer software for personalized and interactive television; downloadable electronic publications; nng tones and graphics (downloadable) for mobile phones; mobile phone cases and covers; computer cases and covers; power packs; ear phones; speakers; dashboard mounts for mobile phones; downloadable graphics for computers; digital music, audio and video recordings (downloadable) from the internet; electronic bulletin boards; mouse mats; radio signal transmitters and receivers; apparatus and instruments for the reception of radio and television broadcasts including the reception of cable, satellite and digital broadcasts; spectacles (glasses), sunglasses; egg timers; parts and fittings for all the aforesaid goods), 38(Telecommunications; communications services; broadcasting and transmission of television, radio, film, music, audio and video content by cable, DTT, DSL, satellite and over the internet and mobile networks; broadcasting and transmission of television, radio, film, audio and video content to mobile telephones, personal digital assistants and personal computers; video-on-demand and near on demand telecommunications; transmission of audio, video and/or audio visual programming (by any means); streaming of audio and video content over the internet; streaming delivery of video on demand streams to Viewers; personalised and interactive telecommunications, broadcasting and transmission services; broadcasting services via the uploading, downloading, capturing, posting, showing, editing, playing, streaming, viewing, previewing, displaying, tagging, blogging, sharing, manipulating, distributing, publishing, reproducing, of electronic media, multimedia content, videos, movies, pictures, images, text, photos, games, user-generated content, audio content, and information via the Internet or other computer and communications networks; providing access to video sharing portals; television broadcasting services incorporating interactive services for



viewing guides and intelligent automated selection for programme recordal; provision of communications services for accessing and retrieving radio and television programmes; provision of a connection between a website and television viewers via an interactive television portal; webcasting and podcasting services; electronic mail services; news information and news agency services; rental of radio and television broadcasting facilities; provision of on-line electronic bulletin boards for the transmission of messages among computer users; provision of access to web logs (blogs); provision of access to interactive polling services; providing access to and leasing of access time to a computer database; provision of connections between multiple devices able to receive synchronised broadcast services; advisory, consultancy and information services relating to any of the aforesaid, including such services provided online from a computer network or via the Internet or extranets.) and 41(Provision of entertainment, education, recreation, instruction, tuition and training; production, presentation and distribution of television and radio programmes, audio, video, still and moving images and data including on-line from a database, over the internet, by satellite or mobile networks or any other electronic or digital media; development of formats for television and radio programmes and films; production, presentation and distribution of films for television and cinema, music, news, current affairs, sports and educational information; personalized and interactive entertainment services; interactive television and radio selection services for viewers; publishing services (including electronic publishing services); provision of non-downloadable electronic publications; organisation, production and presentation of shows, competitions, games, quizzes, studio entertainment and audience participation events, roadshows, concerts, club entertainment services, exhibitions and events; language teaching; provision of information, consultancy and advisory services relating to any of the aforesaid services, including such services provided online from a computer network or via the Internet or extranets.)

(526): Registration of this mark shall give no right to the exclusive use of the word "NEWS" separately and apart from the mark as a whole. **(730):** THE BRITISH BROADCASTING CORPORATION of Broadcasting House, Portland Place, London, W1A 1AA, United Kingdom **(740):** Gikera & Vadgama Advocates of P. O. Box 720 - 00621, 56 Muthithi Road, Westlands, Nairobi

(210): 122597 **(220):** 26/05/2022

(300): None **(511):** 35(Business management operation, organization and administration of a commercial or industrial enterprise, as well as advertising, marketing and promotional services) **(526):** Registration of this mark shall give no right to the exclusive use of the word "Pharmaceuticals" separately and apart from the mark as a whole. **(730):** LIPTIS FOR PHARMACEUTICAL AND MEDICAL PRODUCTS of Plot.No. B/2.6th Industrial Zone, 6th of October City, Egypt **(740):** Lee, Kwesiga & Kiprono Advocates LLP of P.O. Box 19200 - 00501, Nairobi, Kenya

Liptis for Pharmaceuticals

(210): 122598 (220): 26/05/2022

(300): None (511): 35(Business management, operation, organization and administration of a commercial or industrial enterprise, as well as advertising ,marketing and promotional services.) (526): Registration of this mark shall give no right to the exclusive use of the word "PHARMACEUTICALS" and the letters "L" & "P" each separately and apart from the mark as a whole. (730): LIPTIS FOR PHARMACEUTICAL AND MEDICAL PRODUCTS of Plot.No. B/2.6th Industrial Zone, 6th of October City, Egypt (740): Lee, Kwesiga & Kiprono Advocates LLP of P.O. Box 19200 - 00501, Nairobi, Kenya



(210): 122742 (220): 08/06/2022

(300): None (511): 7(Power saws, generators, pumps, compressors, engines, high pressure washers, lawnmowers, welding machines and their parts.) (526): Registration of this mark shall give no right to the exclusive use of the words 'technical' and 'maximization' each separately and apart from the mark as a whole. (730): LOISOI INTERNATIONAL KENYA LTD of P.O. Box 7034 - 20100, Nakuru, Kenya (740): None

TECMAX
TECHNICAL MAXIMIZATION

(210): 122743 (220): 08/06/2022

(300): None (511): 7(Power saws, generators, pumps, compressors, engines, high pressure washers, lawnmowers, welding machines and their parts.) (526): Registration of this mark shall give no right to the exclusive use of the letters 'H', 'S', numerals '5', '0' and the words 'HIGH' and 'SUPERIOR' each separately and apart from the mark as a whole. (730): LOISOI INTERNATIONAL KENYA LTD of P.O. Box 7034 - 20100, Nakuru, Kenya (740): None

HS
50
HIGH & SUPERIOR

(210): 122871 (220): 17/06/2022

(300): None (511): 1(Fertilizer.) (526): Registration of this mark shall give no right to the exclusive use of the device of a "leaf" per se separately and apart from the mark as a whole. The English translation of the word 'DAIMA' is 'Endless' (730): MAX POT LTD of P.O. Box 58611 - 00200, Nairobi, Kenya (740): None



(210): 122937 (220): 23/06/2022

(300): None (511): 33(Alcoholic beverages (except beers). (526): None (730): ACCOLADE WINES LIMITED of Thomas Hardy House, 2 Heath Road, Weybridge, Surrey, England, KT13 8TB, United Kingdom (740): J. K. Muchae & Company Advocates of P.O. Box 60664 - 00200, Nairobi, Kenya

DRAGON'S BACK MOUNTAIN

(210): 122982 (220): 28/06/2022

(300): None (511): 5(Pharmaceutical and veterinary preparations; Sanitary preparations for medical purposes; Dietetic food and substances adapted for medical or veterinary use, food for babies; Dietary supplements for humans and animals; Plasters, materials for dressing; Material for stopping teeth, dental wax; Disinfectants; Preparations for destroying vermin; Fungicides,herbicides.) (526): Registration of this mark shall give no right to the exclusive use of the words, "SUPER", "PORRIDGE", "READY TO DRINK" and devices of foodstuffs each and separately, apart from the mark as a whole including the device as presented. (730): UNIBRAIN INDUSTRIES LIMITED of P.O. Box 400300 - 00100, Nairobi, Kenya (740): Fred Otswong'o & IP Associates of P.O. Box 54708 - 00200, Nairobi, Kenya



(210): 123024 (220): 30/06/2022

(300): None (511): 4(Industrial oils and greases, lubricants dust absorbing, wetting and binding composition fuels, industrials/ motor spirit and illuminants, candles and wicks for lighting)

(526): Registration of this mark shall give no right to the exclusive use of the letters 'G', 'S', numeral '2' and the devices of a 'gas cylinder' and a 'motorbike' each separately and apart from the mark as a whole. (730): TIMOTHY NDEGWA of P.O. Box 34567, Kenya (740): None



(210): 123196 (220): 14/07/2022

(300): None (511): 24(Fabric; material (textile -); Cloth; cotton fabrics; Linings [textile]; Elastic woven material; Traced cloths for embroidery; Silk fabrics for printing patterns; Calico cloth (printed -); Jersey [fabric]; Rayon fabric; Knitted fabric; Zephyr [cloth]; Fabrics for textile use; Wall hangings of textile; Manually or mechanically embroidered picture; towel sheet; Bath towel; Pillow towel; handkerchiefs of textile; Towels of textile; Napkins of textile (table -); Sheets [textile]; Bed clothes; Table linen, not of paper.) (526): Registration of this mark shall give no right to the exclusive use of the words "PETIT", "MEILLEURE", "QUALITE", "GUARANTEED", "SUPER", the letters "H" and "P" each separately and apart from the mark as a whole. "PETTI" means 'small', "HOLLANDAIS" comes from the family name "HOLLANDAI", 'MEILLEURE' means 'BETTER' and "QUALITE" means quality in French. The word "PETIT HOLLANDAIS MEILLEURE QUALITE" originates from French and has no meaning when combined. (730): DUAN XUTONG, A Chinese citizen of Room 3016, Tower A, The Spaces International Center, No. 8 Dongdaqiao Road, Chaoyang District, Beijing 100020, China (740): Coulson Harney Advocates of P.O. Box 10643 - 00100, Nairobi, Kenya



(210): 123340 (220): 21/07/2022

(300): None (511): 29(Goat and Goat Meat) (526): 'Kabuzi' is slang from the two words 'Kakuzi Mbuzi'. The translation into English of the Kiswahili word 'Mbuzi' is 'Goat'. (730): KAKUZI LIMITED of P.O. Box 24 - 01000, Thika, Kenya (740): None



(210): 123393 (220): 25/07/2022

(300): None (511): 12(Motorcycles; Electric bicycles.) (526): None (730): ZHEJIANG QIANJIANG MOTORCYCLE CO., LTD. of Economic & Development Zone, Wenling, Zhejiang Province, China (740): Gitahi Munyi & Associates of P. O. Box 19785 - 00100, Nairobi, Kenya



(210): 123496 (220): 01/08/2022

(300): None (511): 9(Mobile app.) (526): Registration of this mark shall give no right to the exclusive use of the word "BUSINESS" and letter "E" each separately and apart from the mark as a whole. (730): FARAG AYEDH MOHAMED AMER of P.O. Box 9221 - 00800, Nairobi, Kenya (740): None



BUSINESS

(210): 123639 (220): 15/08/2022

(300): None (511): 5(Pharmaceutical and veterinary preparations; Sanitary preparations for medical purposes; Dietetic substances adapted for medical use, food for babies; Plasters, materials for dressings; Material for stopping teeth, dental wax; Disinfectants; Preparations for destroying vermin.) (526): None (730): SHANGHAI FOSUN PHARMACEUTICALS INDUSTRIAL DEVELOPMENT CO. LTD. of Rm.1101, Bldg B, #1289 Yishan Rd. Shanghai 200233, China (740): Kabau & Associates Advocates of P.O. Box 101136 - 00101, Nairobi, Kenya

PROTRAV

(210): 123668 **(220):** 17/08/2022

(300): None **(511):** 5(Insecticides; Insect-repellent preparations; Mosquito coils; Mosquito-repellent incenses; Preparations for destroying vermin; Chemical preparations for veterinary use; Preparations for destroying mice; Insect-repellent incenses; Preparations for destroying flies; Flypaper; Insect-repellent paper; Ant trap paper; Insect-repellent spray; Mosquito repellents for application to the skin; Preparations for prevention of insect bites; Mosquito-repellent preparations; Cockroach bait in the form of an attractant; Repellents for animals; Disinfectant for household use or for hygiene or sanitary purposes; Pharmaceutical preparations.) and 21(Electric apparatus for destroying mosquitos; Electric apparatus for evaporating insecticides; Plug-in diffusers for mosquito repellents; Diffusers for insect repellents and insecticides; Mosquito killer operated by battery; Cockroach traps; Mouse traps.) **(526):** None **(730):** FUMAKILLA LIMITED of No.11 Kanda-Mikuracho, Chiyoda-ku, Tokyo, Japan **(740):** J.K. Muchae & Company Advocates of P.O. Box 60664 - 00200, Nairobi, Kenya

VAPE

(210): 123772 **(220):** 23/08/2022

(300): None **(511):** 5(Pharmaceutical product.) **(526):** Registration of this mark shall give no right to the exclusive use of the word "QUICKSEAL" separately and apart from the mark as a whole. **(730):** DR. PHARMA K LTD. of P.O. Box 46279 - 00100, Nairobi, Kenya **(740):** None

Quickseal

(210): 123773 **(220):** 23/08/2022

(300): None **(511):** 5(Pharmaceutical product.) **(526):** Registration of this mark shall give no right to the exclusive use of the word "DOC" separately and apart from the mark as a whole. **(730):** DR. PHARMA K LTD. of P.O. Box 46279 - 00100, Nairobi, Kenya **(740):** None

ELECTRODOC

(210): 123811 **(220):** 25/08/2022

(300): None **(511):** 8(Hand tools, namely, squares; Hand tools, namely, framing squares; Hand tools, namely, steel framing squares; Hand tools, namely, carpenter squares, combination squares; Hand tools, namely, try squares; Hand tools, namely, miter squares; Hand tools, namely, adjustable squares, drywall squares, drywall scoring squares) and 9(Leveling and layout devices and accessories, namely, level indicators, being more specifically, carpenter levels, level cases, bubble line levels, cross-check plumb levels, post levels, bullseye levels, pocket levels, torpedo levels; stair and square level gauges; plumb vial levels, namely, circular plumb vial levels, curved plumb vial levels, barrel vial levels, multi-plumb vial levels; magnetic stud finders; measuring tools, namely, tape measures, measuring tapes, carpenters rules, yardsticks, meter sticks, angle locators, pitch and slope indicators in the nature of angle finders, contour length measuring gauges; surveying instruments in the nature of grade rods, laser poles, laser mounts, tripods, tripod adaptors, level plumb mounts, laser stands, surveying levels, digital surveying levels, builders levels, sight levels, clamps for laser detectors, digital levels, box levels, angle locators, pitch locators, protractors, and adjustable t-bevel) **(526):** None **(730):** TOUGHBUILT INDUSTRIES, INC of 25371 Commercentre Drive, Suite 200, Lake Forest, California 92630, United States of America **(740):** Gitahi Munyi & Associates of P. O. Box 19785 - 00100, Nairobi, Kenya

TOUGHBUILT

(210): 123812 **(220):** 25/08/2022

(300): None **(511):** 9(power station automatization equipment; electronic chips; monitoring apparatus, other than for medical purposes; electric installations for the remote control of industrial operations; integrated circuits; counters; computer software, recorded; computer peripheral devices; interactive touch screen terminals; traffic-light apparatus [signalling devices]; computer programs, downloadable; computer software applications, downloadable; mobile phone applications, downloadable; face recognition device; time recording apparatus; data processing apparatus; network communication equipment; microprocessors; electro-dynamic apparatus for the remote control of signals; automatic meter.) and 42(material testing; design of prototypes; technological consulting services for digital transformation; computer software design; computer software consultancy; monitoring of computer systems by remote access; consultancy in the design and development of computer hardware; technological research; consultancy in the field of energy-saving; (PaaS) platform as a service [PaaS]; Artificial Intelligence Technology consultancy; (SaaS) software as a service [SaaS]; user authentication services using blockchain technology; data security consultancy; providing virtual computer systems through cloud computing; research and development of new products for others; Computer programming services for data processing; software engineering services for data processing; off-site data backup; quality control.) **(526):** None **(730):** ZHEJIANG SUPCON TECHNOLOGY CO., LTD of No. 309 Liuhe Road, Binjiang District, Hangzhou, Zhejiang, China **(740):** Gitahi Munyi & Associates of P.O. Box 19785 - 00100, Nairobi, Kenya



(210): 123821 **(220):** 26/08/2022

(300): None **(511):** 21(Steel wool for cleaning; brooms; rags [cloth] for cleaning; cleaning instruments, hand-operated; furniture dusters; mops; chamois leather for cleaning; sponges for household purposes; gloves for household purposes and sponge holders.) **(526):** Registration of this trademark shall give no right to the exclusive use of the letters "O", "K", and "S" each separately and apart from the mark as a whole. **(730):** JINHUA OUKESHI COMMODITY CO., LTD of No. 158, Dongsheng Rd., Jindong Economic Development Zone, Jinhua City, Zhejiang Province, China **(740):** CFL Advocates of P. O. Box 23555 - 00100, Nairobi, Kenya



(210): 123851 **(220):** 30/08/2022

(300): None **(511):** 39(Air transportation of passengers, mail and cargo; tourism services; organization of excursions; travel agency services; storage of mail and cargo; surface transportation; services related to travel included in the class; providing transportation services and travel reservations services through informatics.) **(526):** None **(730):** GUARDANT, INC., a corporation organized and existing under the laws of the State of Delaware of 1030 Delta Boulevard Atlanta, Georgia, United States of America **(740):** Kaplan & Stratton Advocates of P. O. Box 40111 - 00100, Nairobi, Kenya



(210): 123853 **(220):** 30/08/2022

(300): None **(511):** 5(Pharmaceutical preparations for medical purposes.) **(526):** None **(730):** ESOPHARM LIMITED of P.O. Box 76, Lunza, Kenya **(740):** Munyao Kayugira & Co. Advocates of P.O. Box 7168 - 00200, Nairobi, Kenya



(210): 123868 (220): 31/08/2022

(300): None (511): 44(Pharmacy Advice and preparation of prescriptions by pharmacists.) (526): None (730): ESOPHARM LIMITED of P.O. Box 76, Lunza, Kenya (740): Munyao Kayugira & Co. Advocates of P.O. Box 7168 - 00200, Nairobi, Kenya



(210): 123882 (220): 01/09/2022

(300): None (511): 5(Pharmaceutical and product preparation.) (526): Registration of this mark shall give no right to the exclusive use of the word 'Syrup' separately and apart from the mark as a whole. (730): ESSAAR K LTD of P.O. Box 2453 - 00606, Nairobi, Kenya (740): None



(210): 123926 (220): 05/09/2022

(300): None (511): 9(Signaling, detecting, testing, inspecting apparatus and instruments; Apparatus and instruments for recording, transmitting, reproducing or processing sound, images or data; recorded and downloadable media, computer software, blank digital or analogue recording and storage media; Computer hardware; Computers and computer peripheral devices; Mobile applications.) and 42(Scientific and technological services and research and design relating thereto; industrial analysis, industrial research and industrial design services; quality control and authentication services; design and development of computer hardware and software; Computer security consultancy in the field of scanning and penetration testing of computers and networks to assess information security vulnerability; Digital forensic investigations in the field of computer crimes; computer forensic services; cyber , data, network security advisory and consultancy services; design and development of electronic data security systems; computer and cyber security threat analysis for protection of data and networks; encryption services.) (526): Registration of this mark shall give no right to the exclusive use of the words "CYBER", "SOLUTIONS" and the numeral "1" each separately and apart from the mark as a whole. (730): CYBER SECURITY 1 AB, a Swedish company of Klarabergsviadukten70, D4, 111 64 Stockholm, Sweden (740): Coulson Harney Advocates of P.O. Box 10643 - 00100, Nairobi, Kenya



(210): 123927 (220): 05/09/2022

(300): None (511): 9(Signalling, detecting, testing, inspecting apparatus and instruments;; apparatus and instruments for recording, transmitting, reproducing or processing sound, images or data; recorded and downloadable media, computer software, blank digital or analogue recording and storage media; computer hardware; computers and computer peripheral devices; mobile applications) and 42(Scientific and technological services and research and design relating thereto; industrial analysis, industrial research and industrial design services; quality control and authentication services; design and development of computer hardware and software; Computer security consultancy in the field of scanning and penetration testing of computers and networks to assess information security vulnerability; Digital forensic investigations in the field of computer crimes; computer forensic services; cyber , data, network security advisory and consultancy services; design and development of electronic data security systems; computer and cyber security threat analysis for protection of data and



networks; encryption services.) (526): Registration of this mark shall give no right to the exclusive use of the words "CYBER", "SOLUTIONS", the letters "C", "S" and numeral "1" each separately and apart from the mark as a whole. (730): CYBER SECURITY 1 AB of Klarabergsviadukten 70, D4, 111 64 Stockholm, Sweden (740): Coulson Harvey Advocates of P.O. Box 10643 - 00100, Nairobi, Kenya

(210): 123994 (220): 09/09/2022

(300): None (511): 25(Apparel and accessories.) and 43(Holiday camp lodging services, hotel and safari lodge accommodation; catering, restaurant services; Booking and reservation services for camps, hotels, lodges and tourist destinations.) (526): ORegistration of this mark shall give no right to the exclusive use of the letters "O", "L" and the word "KENYA" each separately and apart from the mark as a whole. The wishes to restrict the above mark to colors oxblood and brown. (730): REGENESIS LIMITED of P.O. Box 40111 - 00100, Nairobi, Kenya (740): Kaplan & Stratton Advocates of P. O. Box 40111- 00100, Nairobi, Kenya



(210): 124028 (220): 14/09/2022

(300): None (511): 10(Medical apparatus.) (526): Registration of this mark shall give no right to the exclusive use of the words "INTRODUCER" and "SET" each separately and apart from the mark as a whole. (730): IDEAL PARTNERS LTD of P.O. Box 5801 - 00100, Nairobi, Kenya (740): None

TIANCK INTRODUCER SET

(210): 124046 (220): 16/09/2022

(300): None (511): 31(Tomato hybrid seed.) (526): Registration of this mark shall give no right to the exclusive use of the words "ALPS", "AGRO", "TOMATO", "NYANYA" and the devices of 'Tomato', "Leaves", the letter "F" and the numeral "1" each separately and apart from the mark as a whole. 'Nyanya' is 'Tomato' in English. (730): ALPS BIOSCIENCE LTD of P.O. Box 3919 - 00508, Nairobi, Kenya (740): None



(210): 124047 (220): 16/09/2022

(300): None (511): 31(Cabbage hybrid seed) (526): Registration of this mark shall give no right to the exclusive use of the words "ALPS", "AGRO", "CABBAGE", "KABICHI", the device of 'cabbage', the numeral "1" and the letter "F" each separately and apart from the mark as a whole. 'Kabichi' is a Swahili word meaning 'Cabbage' in English (730): ALPS BIOSCIENCE LTD of P.O. Box 3919 - 00508, Nairobi, Kenya (740): None



(210): 124048 (220): 16/09/2022

(300): None (511): 31(Watermelon hybrid seed.) (526): Registration of this mark shall give no right to the exclusive use of the words "ALPS", "AGRO", "WATERMELON", "SWEETY", the devices of 'melon' and "leaves", the letter "F" and the numeral "1" each separately and apart from the mark as a whole. (730): ALPS BIOSCIENCE LTD of P.O. Box 3919 - 00508, Nairobi, Kenya (740): None



(210): 124049 (220): 16/09/2022

(300): None (511): 31(Onion hybrid seed.) (526): Registration of this mark shall give no right to the exclusive use of the words "ALPS", "AGRO", "ONION", "RED", "KITUNGUU", the devices of 'onion' and "leaves", the letter "F" and the numeral "1" each separately and apart from the mark as a whole. 'KITUNGUU' is a Swahili word meaning 'Onion' in English (730): ALPS BIOSCIENCE LTD of P.O. Box 3919 - 00508, Nairobi, Kenya (740): None



(210): 124070 (220): 19/09/2022

(300): None (511): 5(Antiseptics; Disinfectants; Sanitizers; Cleaners (medicated) for wound treatment; Surface sanitizers & Disinfectants for places of Food & Crop preservation and Post-harvest treatment of produce.) (526): None (730): ELEX PRODUCTS LIMITED of P.O. Box 78664 - 00507, Nairobi., Kenya (740): None



(210): 124130 (220): 21/09/2022

(300): None (511): 5(Ophthalmic preparations and substances.) (526): None (730): ALLERGAN, INC. of 1 N. Waukegan Road, North Chicago, Illinois 60064, United States of America (740): J.K. Muchae & Company Advocates of P.O. Box 60664 - 00200, Nairobi, Kenya

FML

(210): 124150 (220): 22/09/2022

(300): None (511): 5(Pharmaceuticals) (526): None (730): PRUNUS PHARMA LIMITED of A4, Akshrap Holdings Limited, Mombasa Road, P.O. Box 26720 - 00504, Nairobi, Kenya (740): None

PRINILO

(210): 124151 (220): 22/09/2022

(300): None (511): 5(Pharmaceuticals.) (526): None (730): PRUNUS PHARMA LIMITED of A4, Akshrap Holdings Limited, Mombasa Road, P.O. Box 26720 - 00504, Nairobi, Kenya (740): None

RENOFUR

(210): 124152 (220): 22/09/2022

(300): None (511): 5(Pharmaceuticals.) (526): None (730): PRUNUS PHARMA LIMITED of A4, Akshrap Holdings Limited, Mombasa Road, P.O. Box 26720 - 00504, Nairobi, Kenya (740): None

FURENO

(210): 124153 (220): 22/09/2022

(300): None (511): 5(Pharmaceuticals.) (526): None (730): PRUNUS PHARMA LIMITED of A4, Akshrap Holdings Limited, Mombasa Road, P.O. Box 26720 - 00504, Nairobi, Kenya (740): None

SPIRENO

(210): 124154 (220): 22/09/2022

(300): None (511): 5(Pharmaceuticals.) (526): None (730): PRUNUS PHARMA LIMITED of A4, Akshrap Holdings Limited, Mombasa Road, P.O. Box 26720 - 00504, Nairobi, Kenya (740): None

TORENO

(210): 124155 (220): 22/09/2022

(300): None (511): 5(Pharmaceuticals.) (526): None (730): PRUNUS PHARMA LIMITED of A4, Akshrap Holdings Limited, Mombasa Road, P.O. Box 26720 - 00504, Nairobi, Kenya (740): None

GLIZUCA

(210): 124157 (220): 22/09/2022

(300): None (511): 5(Pharmaceuticals.) (526): None (730): PRUNUS PHARMA LIMITED of A4, Akshrap Holdings Limited, Mombasa Road, P.O. Box 26720 - 00504, Nairobi, Kenya (740): None

RIVAZEG

(210): 124158 (220): 22/09/2022

(300): None (511): 5(Pharmaceuticals.) (526): None (730): PRUNUS PHARMA LIMITED of A4, Akshrap Holdings Limited, Mombasa Road, P.O. Box 26720 - 00504, Nairobi, Kenya (740): None

VUZIT

(210): 124159 (220): 22/09/2022

(300): None (511): 5(Pharmaceuticals.) (526): None (730): PRUNUS PHARMA LIMITED of A4, Akshrap Holdings Limited, Mombasa Road, P.O. Box 26720 - 00504, Nairobi, Kenya (740): None

ZUSIT

(210): 124233 (220): 27/09/2022

(300): None (511): 42(Scientific and technological services and research and design relating thereto; industrial analysis, industrial research and industrial design services; quality control and authentication services; design and development of computer hardware and software; application service provider (asp) services featuring software for controlling, integrating, operating, connecting, and managing voice controlled information devices, namely, cloud-connected and voice-controlled smart consumer electronic devices and electronic personal assistant devices; application service provider (asp) services; computer services, namely, creating an on-line community for registered users to participate in discussions, get feedback from their peers, form virtual communities, and engage in social networking services in the fields of books, music, entertainment, video games, fiction, and non-fiction; computer services, namely, uploading music and photos to the Internet for others; file sharing services, namely, providing a website featuring technology enabling users to upload and download electronic files; hosting of digital content on global computer networks, wireless networks, and electronic communications networks; hosting of digital content on the Internet; computer services, namely, cloud hosting provider services; platform as a service (paas) featuring computer software platforms for digital audio, video and audiovisual broadcasting services provided via telecommunications networks, smart audiovisual broadcasting services provided via telecommunications networks, smart televisions, mobile phones, and the internet; platform as a service (paas) featuring computer software platforms to allow users to search, request and receive content, text, visual works, audio works, audiovisual works, literary works, data, files, documents, and electronic works; providing a subscription based website featuring non-downloadable multimedia files and information about artists and the entertainment industry; providing search engines for the Internet; providing computer services, namely, creating computer network-based indexes of information, websites and resources; providing temporary use of non-downloadable computer operating system software; providing temporary use of non-downloadable computer programs for accessing, browsing, and searching online databases; providing technology that creates personalized movie, tv show, video and music channels for listening, viewing, and sharing via a website; providing temporary use of on-line, non-downloadable computer software for transmitting, sharing, receiving, downloading, streaming, displaying, and transferring content, text, visual works, audio works, audiovisual works, literary works, data, files, documents, and electronic works via portable electronic devices and computers and global computer and communications networks; providing temporary use of non-downloadable computer software for accessing online information; providing temporary use of non-downloadable computer software for accessing subscription-based digital media content; providing temporary use of non-downloadable computer software for accessing, bookmarking, browsing, collecting, finding, manipulating, organizing, renting, and storing audio, data, video, game, and multimedia files; providing temporary use of non-downloadable computer software for configuring, operating and controlling mobile devices, wearable devices, mobile phones, computers, and computer peripherals, and audio and video players; providing temporary use of non-downloadable computer software for



creating and providing user access to searchable databases of information and data files; providing temporary use of non-downloadable computer software for creating searchable databases of information; providing temporary use of non-downloadable computer software for electronic storage of data; providing temporary use of non-downloadable computer software for image and speech recognition; providing temporary use of non-downloadable computer software for facilitating payments and online transactions; providing temporary use of non-downloadable computer software for home automation; providing temporary use of non-downloadable computer software for information management; providing temporary use of non-downloadable computer software for online shopping; providing temporary use of non-downloadable computer software for providing user information with reviews, and recommendations regarding entertainment content; providing temporary use of non-downloadable computer software for renting and purchasing audio, video, and multimedia files; providing temporary use of non-downloadable internet browser software; providing temporary use of non-downloadable computer software for the collection, organizing, modifying, book marking, and storage of data and information; providing temporary use of non-downloadable computer software for use in disseminating advertising for others; providing temporary use of non-downloadable computer software for use in editing, extracting, encoding, decoding, storing and organizing text, data, images, audio, video, and multimedia files; providing temporary use of non-downloadable computer software for use in sharing information about products, services, and deals; providing temporary use of non-downloadable computer software that generates customized recommendations based on user preferences; providing temporary use of non-downloadable mobile applications to enable users to access, bookmark, browse, collect, find, manipulate, organize, rent, and store music, audio, video, games, audiovisual, multimedia files; search engine software; software as a service [saas])

(526): FRegistration of this mark shall give no right to the exclusive use of the letters "F" and "V" each separately and apart from the mark as a whole. **(730):** AMAZON TECHNOLOGIES, INC. of 410 Terry Avenue North, Seattle, Washington 98109, United States of America **(740):** Muthoni Advocates of P.O. Box 28397 - 00200, Nairobi, Kenya

(210): 124272 **(220):** 29/09/2022

(300): None **(511):** 5(Pharmaceuticals.) **(526):** None **(730):** MICROLABS (EA) LIMITED of Westwood Park, 4th Floor, Suite C., Off Ringroad Parklands, Westlands, P.O. Box 72030 - 00200, Nairobi, Kenya **(740):** David Kiptum & Co. Advocates of P.O. Box 4722 - 00506, Nairobi, Kenya

CLOSTAT

(210): 124279 **(220):** 29/09/2022

(300): None **(511):** 5(Pharmaceutical.) **(526):** 'MURAXAL' is derived from the Molecule name 'ALFUZOSIN'. **(730):** MICROLABS (EA) LIMITED of Westwood Park, 4th Floor, Suite C., Off Ringroad Parklands, Westlands, P.O. Box 72030 - 00200, Nairobi, Kenya **(740):** David Kiptum & Co. Advocates of P.O. Box 4722 - 00506, Nairobi, Kenya

MURAXAL

(210): 124281 **(220):** 29/09/2022

(300): None **(511):** 5(Pharmaceutical.) **(526):** 'SUPIXAL' is derived from the molecule name 'APIXABAN'. **(730):** MICROLABS (EA) LIMITED of Westwood Park, 4th Floor, Suite C., Off Ringroad Parklands, Westlands, P.O. Box 72030 - 00200, Nairobi, Kenya **(740):** David Kiptum & Co. Advocates of P.O. Box 4722 - 00506, Nairobi, Kenya

SUPIXA

(210): 124378 (220): 05/10/2022

(300): None (511): 31(Pet food.) (526): Registration of this mark shall give no right to the exclusive use of the '+' symbol separately and apart from the mark as a whole. (730): HILL'S PET NUTRITION, INC of 400 SW Eighth Avenue, Topeka, Kansas 66603, United States of America (740): Coulson Harney Advocates of P.O. Box 10643 - 00100, Nairobi, Kenya

ACTIVBIOME+

(210): 124384 (220): 06/10/2022

(300): None (511): 41(Providing of training (social & behavior change). (526): None (730): PETER LENGWA of P.O. Box 5937 - 00100, Nairobi, Kenya (740): None



(210): 124385 (220): 06/10/2022

(300): None (511): 29(Edible oils and fats; milk products; meat; eggs; seafood, not live; frozen vegetables; frozen fruits; processed meat products; processed seafood products; processed vegetables and fruits; abura-age [pieces of fried tofu]; freeze-dried tofu pieces (kohri-dofu); jelly made from devils' tongue root (konnyaku); soya milk; tofu; fermented soybeans (natto); eggs, processed; pre-cooked curry stew, stew and soup mixes; dried flakes of iaver for sprinkling on rice in hot water (ochazuke-nori); Furi-kake [dried flakes offish, meat, vegetables or seaweed]; side-dish made of fermented soybean [Name-mono]; preserved pulses; formed textured vegetable protein for use as a meat substitute for human consumption; unformed textured vegetable protein for use as a meat extender for human consumption.), 30(Aromatic preparations for food; tea; coffee; cocoa; confectionery; bread and buns; sandwiches; steamed buns stuffed with minced meat [Chukamanjuh]; hamburgers [sandwiches]; fresh pizzas; hot dogs [sandwiches]; meat pies; seasonings [other than spices]; spices; unroasted coffee; processed grains; chocolate spread; Chinese stuffed dumplings; Chinese steamed dumplings; Sushi; fried balls of batter mix with small pieces of octopus [Takoyaki]; boxed lunches consisting of rice, with added meat, fish or vegetables; ravioli; yeast powder; Koji [fermented malted rice]; yeast; baking powder; instant confectionery mixes; pasta sauce; by-product of rice for food [Sake lees]; rice; husked oats; husked barley; gluten prepared as foodstuff; flour.), 31(Hops; edible aquatic animals, live; edible seaweeds; seaweed, unprocessed, for human or animal consumption; algae, unprocessed, for human or animal consumption; vegetables, fresh; sugar crops; fruit, fresh; cocoa beans, raw; malt; foxtail millet, unprocessed; proso millet, unprocessed; sesame, unprocessed; buckwheat, unprocessed; maize; Japanese barnyard millet, unprocessed; wheat, barley and oats, unprocessed; rice, unprocessed; sorghum; Protein-enriched feed for animal consumption; animal foodstuffs; seeds and bulbs; trees; grasses [plants]; turf, natural; dried flowers; seedlings; saplings; flowers [natural]; pasture grass; potted dwarfed trees [Bonsai]; live mammals, fish [not for food], birds and insects; silkworm eggs; cocoons for silkworm breeding; eggs for hatching; Urushi tree seeds; rough cork; palm fronds.), 35(Business consultancy services in the field of agriculture; accounting services relating to costs for farming enterprises; business management analysis or business consultancy; business management; marketing research or analysis; providing information concerning commercial sales; retail services or wholesale services for vegetables and fruits; retail services or wholesale services for processed food; retail services or wholesale services for food and beverages; retail services or wholesale services for saplings of fruit tree and vegetable

SYNECOCULTURE

plants; referral of workers in the field of agriculture; personnel recruitment services and employment agencies; providing information about job offers and applications; commercial information and advice for consumers in the choice of products and services; providing information to customers relating to retail outlets and wholesale outlets; provision of an online marketplace for buyers and sellers of goods and services; commercial intermediation services; procurement services for others [purchasing goods and services for other businesses]; promoting the goods and services of others; marketing; advertising and publicity services; rental of advertising space and advertising material; compilation or systemization of information into computer databases.), 40(Processing livestock food products and marine products; food processing; processing of agricultural grain.), 41(Educational services relating to agriculture and horticulture; educational and instruction services relating to arts, crafts, sports or general knowledge; education and training services; provision of certification examinations for educational purposes; organization, arranging and conducting of seminars, workshops [training] and training session; organization, arranging and conducting of seminars, training workshops, training session, workshops, symposiums, conferences, lecture meetings, study groups, Colloquiums, group panel discussions, meetings and conventions; and providing information relating thereto; providing electronic publications; reference libraries of literature and documentary records; book rental; display of the documents relating to manufacture of agricultural foodstuffs or farm products; display of the documents relating to environments; display of the documents relating to art, history, ethnic group, industry, natural science, and technology; publication and editing of printed matter, books, newspapers and periodicals, other than for advertising purposes; production of videotape film in the field of education, culture, entertainment or sports [not for movies or television programs and not for advertising or publicity]; organization, arranging and conducting of agriculture experience sharing Colloquiums, conferences, congresses, seminars, symposiums and workshops; organization of entertainment events excluding movies, shows, plays, musical performances, sports, horse races, bicycle races, boat races and auto races; provision of educational training facilities relating to agriculture; providing facilities for movies, shows, plays, music or educational training; instruction of the agriculture cultivation.), 42(Testing, inspection or research on agriculture, livestock breeding or fisheries; testing, inspection or research of foodstuffs; testing services for the certification of quality or standards; quality testing; quality assessment; providing quality assurance services; quality control; consultancy relating to accreditation services of certification relating to organic agricultural products and specially-cultivated crops; consultancy and information services relating to agricultural technology; research in the field of ecology; research in the field of environmental conservation and protection; environmental impact study; geological research; designing, other than for advertising purposes; research on trend relating to agricultural measure; certifying and granting qualifications for certifying product quality.) and 44(Agricultural services; plant nursery services; vermin exterminating [for agriculture, aquaculture, horticulture or forestry]; pest control services for agriculture, aquaculture, horticulture and forestry; mold, fungus and weed control for agriculture, horticulture and forestry; advice and

consultancy in the field of farming.) **(526)**: None **(730)**: SONY GROUP CORPORATION of 1-7-1 Konan, Minato-ku Tokyo, Japan **(740)**: Ndungu Njoroge & Kwach Advocates of P.O. Box 41546 - 00100, Nairobi, Kenya

(210): 124503 **(220)**: 11/10/2022

(300): None **(511)**: 3(Non-medicated toothpaste.) **(526)**: Registration of this trademark shall give no right to the exclusive use of the words "with charcoal" and "whitening" and the device of a 'plant' each separately and apart from the mark as a whole. Colors Red, White, Brown, Green and Grey as features of the mark. **(730)**: COLGATE-PALMOLIVE COMPANY of 300 Park Avenue, New York, NY 10022, United States of America **(740)**: Coulson Harvey Advocates of P.O. Box 10643 - 00100, Nairobi, Kenya



(210): 124508 **(220)**: 12/10/2022

(300): None **(511)**: 31(Agricultural, horticultural and forestry products and grains not included in other classes; live animals; fresh fruits and vegetables; seeds, natural plants and flowers; foodstuffs for animals; malt.) **(526)**: Registration of this mark shall give no right to the exclusive use of the words "the letter S" and the device of a "plant" each separately and apart from the mark as a whole. **(730)**: STABLE FOODS LIMITED of P.O. Box 14730 - 00800, Nairobi, Kenya **(740)**: None



(210): 124509 **(220)**: 12/10/2022

(300): None **(511)**: 9(Apparatus and instruments for conducting, switching, transforming accumulating, regulating or controlling electricity) **(526)**: Registration of this mark shall give no right to the exclusive use of the words 'ENERGY', 'INNOVATION', 'HOUSE' and the devices of a 'power flash' and a 'house' each separately and apart from the mark as a whole. **(730)**: EGYPTIAN GROUP FOR INTEGRATED SOLUTIONS of P. O. Box 22586 - 00505, Nairobi, Kenya **(740)**: None



(210): 124589 **(220)**: 18/10/2022

(300): None **(511)**: 30(Chocolates, confectionery, candies, biscuits(all types), cakes, pasta, macaroni, noodles, instant noodles, spaghetti, vermicelli, yeast, baking powder and other bakery ingredients, salad dressings, mayonnaise, vinegar, ketchup and sauces (condiments), ready to cook dough products, frozen dough, frozen parathas, ice creams, non-dairy frozen desserts, frozen fruit desserts, ice desserts, coffee, tea, cocoa, sugar, rice, tapioca, sago, artificial coffee, bread, pastry, treacle, salt, mustard, flour made from cereals, spices, food beverages (grain-based and herbal), gravies, herbal tea, honey, o corn.) **(526)**: The Arabic characters are a transliteration of 'Hydro' **(730)**: INTERNATIONAL FOODSTUFFS CO. LLC of Al-Wahda Street, Industrial Area No.1, P.O. Box 4115 Sharjah, United Arab Emirates **(740)**: Talal Abu-Ghazaleh Intellectual Property of P. O. Box 20140 - 00100, Nairobi, Kenya



(210): 124599 **(220)**: 19/10/2022

(300): None **(511)**: 5(Pharmaceutical and medicinal preparations and substances; Vaccines.) **(526)**: None **(730)**: GLAXOSMITHKLINE BIOLOGICALS S.A. of Rue de l' Institut 89, B-1330 Rixensart., Belgium **(740)**: CFL Advocates of P. O. Box 23555 - 00200, Nairobi, Kenya

POLIO SABIN

(210): 124636 **(220)**: 21/10/2022

(300): None **(511)**: 5(Insecticide / Miticide) **(526)**: Registration of this mark shall give no right to the exclusive use of the numerals "0", "2" and the letters 'S' and 'L' each separately and apart from the mark as a whole. **(730)**: FLORACHEM KENYA LIMITED of P.O. Box 648-20117, Naivasha, Kenya **(740)**: None

Bilamite 200SL

(210): 124637 (220): 21/10/2022
 (300): None (511): 5(Insecticides) (526): None (730):
 FLORACHEM KENYA LIMITED of P.O. Box 648-20117, Naivasha,
 Kenya (740): None

Grainguard

(210): 124760 (220): 27/10/2022
 (300): None (511): 12(Motorcycles; Electric bicycles) (526):
 None (730): ZHEJIANG QIANJIANG MOTORCYCLE CO., LTD of
 Economic & Development Zone, Wenling, Zhejiang Province,
 China (740): Gitahi Munyi & Associates of P.O. Box 19785 -
 00100, Nairobi, Kenya

QJTEC

(210): 124771 (220): 28/10/2022
 (300): None (511): 3(Cosmetics/perfumes.) (526): Registration
 of this mark shall give no right to the exclusive use of the words
 "ALDIMASHQI" and "PERFUME" separately and apart from the
 mark as a whole. Translation into English of the Arabic words
 "ALDIMASHQI" and "ALBAIT" is "Damascus" and "Home"
 respectively (730): MERAAS PERFUME COMPANY LIMITED of P.O.
 Box 12180, Mombasa, Kenya (740): None

ALBAIT ALDIMASHQI
PERFUME

(210): 124913 (220): 04/11/2022
 (300): None (511): 35(Advertising; business management,
 organization and administration; office functions; retail and
 wholesale services; online retail and wholesale services; online
 marketplace platforms.) (526): None (730): WALMART APOLLO,
 LLC, a limited liability company organized under the laws of
 Delaware of 702 SW 8th Street, Bentonville, Arkansas 72716,
 United States of America (740): J.K. Muchae & Company
 Advocates of P.O. Box 60664 - 00200, Nairobi, Kenya



(210): 124914 (220): 04/11/2022
 (300): None (511): 35(Advertising; business management,
 organization and administration; office functions; retail and
 wholesale services; online retail and wholesale services; online
 marketplace platforms.) (526): None (730): WALMART APOLLO,
 LLC, a limited liability company organized under the laws of
 Delaware of 702 SW 8th Street, Bentonville, Arkansas 72716,
 United States of America (740): J.K. Muchae & Company
 Advocates of P.O. Box 60664 - 00200, Nairobi, Kenya

Walmart 

(210): 124931 (220): 04/11/2022
 (300): None (511): 29(Milk and milk products) (526): None
 (730): GETZ PHARMA INTERNATIONAL FZ LLC of Office No.1307,
 13th Floor, Al-Thuraya Tower 1, Dubai Media City, Dubai, United
 Arab Emirates (740): Coulson Harney LLP of P. O. Box 10643 -
 00100, Nairobi, Kenya

LIVITY

(210): 124935 (220): 07/11/2022
 (300): None (511): 6(Aluminum profiles) and 19(Granites, Tiles,
 Building materials) (526): Registration of this mark shall give no
 right to the exclusive use of the words 'Granites' and 'Kenya'
 each separately and apart from the mark as a whole. The word
 'Vajra' symbolises strength in Hindi; in Sanskrit it means
 'Thunderbolt of Lord/God Indra'. (730): VAGRA GRANITES KENYA
 LTD of P. O. Box 66347-00800, Nairobi, Kenya (740): None

Vajra Granites
Kenya Ltd.

(210): 125015 (220): 10/11/2022
 (300): None (511): 5(Dietetic substances adapted for medical
 use; pediatric nutritive preparations; dietary and nutritional
 supplements for children) and 29(Powdered milk preparations;
 milk and milk products.) (526): None (730): ABBOTT
 LABORATORIES of 100 Abbott Park Road Abbott Park, Illinois
 60064, United States of America (740): J.K. Muchae & Company
 Advocates of P. O. Box 60664 - 00200, Nairobi, Kenya

KINDERSURE

(210): 125159 (220): 16/11/2022

(300): None (511): 5(Pharmaceuticals and Medicinal and dietetic food and substances adapted for medical use for treatment of proper functioning of urinary system.) (526): None (730): GLENMARK PHARMACEUTICALS LIMITED of Glenmark House Hdo-Corporate Building, Wing -A B. D. Sawant Marg, Chakala, Off Western Express Highway Andheri [East], Mumbai 400099, India (740): Gichachi & Company Advocates of P.O. Box 79659 - 00200, Nairobi, Kenya

COBILD

(210): 125161 (220): 16/11/2022

(300): None (511): 5(Pharmaceuticals and Medicinal and dietetic food and substances adapted for medical use for treatment of local inflammation and supports normal function of immune system.) (526): None (730): GLENMARK PHARMACEUTICALS LIMITED of Glenmark House Hdo-Corporate Building, Wing -A B. D. Sawant Marg, Chakala, Off Western Express Highway Andheri [East], Mumbai 400099, India (740): Gichachi & Company Advocates of P.O. Box 79659 - 00200, Nairobi, Kenya

VEXAGO

(210): 125162 (220): 16/11/2022

(300): None (511): 35(Business support services.) (526): Registration of this mark shall give no right to the exclusive use of the words "BUSINESS", "SERVICES" and the letters "G", "N" each separately and apart from the mark as a whole. NGUZO is a Swahili word which means a Prop, Pillar, or an Object placed against or under to support it. (730): NGUZO BUSINESS SERVICES LIMITED of P.O. Box 20997 - 00100, Nairobi, Kenya (740): Kimani Kimotho & Comapny Advocates of P.O. Box 20997 - 00100, Nairobi, Kenya



(210): 125235 (220): 21/11/2022

(300): None (511): 1(Agriculture (Foliar Fertilizer.)) (526): None "ZIBO" is a coined word and has no meaning in English. (730): MURPHY CHEMICALS (E.A.) LTD. of P. O. Box 20495 - 00200, Nairobi, Kenya (740): None

ZIBO

(210): 125236 (220): 21/11/2022

(300): None (511): 5(Veterinary (Cattle, Sheep and Goat vaccine) (526): Registration of this mark shall give no right to the exclusive use of the letter 'S' and numeral '7' each separately and apart from the mark as a whole. (730): MURPHY CHEMICALS (E.A.) LTD. of P. O. Box 20495 - 00200, Nairobi, Kenya (740): None

TOXIPRA S7

(210): 125254 (220): 21/11/2022

(300): None (511): 30(Coffee.) (526): Registration of this mark shall give no right to the exclusive use of the words "COFFEE", "SAFARI", "LOUNGE", "CONSERVATION" and the device of "Coffee bean" each separately and apart from the mark as a whole. (730): TEA AND COFFEE CONNECTION LIMITED of P.O. Box 14353 - 00800, Nairobi, Kenya (740): None



(210): 125270 (220): 22/11/2022

(300): None (511): 7(Electric access systems such as temporary suspended platforms, building maintenance units, mobile boom lifts, scissor lifts, telehandlers and mini-cranes.) (526): None (730): KWIKFORM KENYA (PTY) LIMITED of Kenya (740): S. Ndungu & Company Advocates, P.O. Box 13656 - 00100, Nairobi, Kenya



(210): 125272 (220): 22/11/2022

(300): None (511): 11(Thermal insulation and cladding systems including galvanized, aluminum and stainless steel cladding applications.) (526): SRegistration of this mark shall give no right to the exclusive use of the letters "S", "G" and "B" each separately and apart from the mark as a whole. (730): KWIKFORM KENYA (PTY) LIMITED of Nairobi, Kenya (740): S. Ndungu & Company Advocates of P.O. Box 13656 - 00100, Nairobi, Kenya



(210): 125308 (220): 22/11/2022

(300): None (511): 5(Food for special medical purposes; dietetic foods and substances adapted for medical purposes; food for babies; food for invalids; infant formula; food for babies with special nutritional needs; non-dairy and plant-based milks for babies, namely milks derived from plants, vegetables, cereals, grains, nuts, seeds, beans and fruits; nutritional products for medical purposes; nutritional supplements; cereals for infants; vitamin preparations; dietetic foods for pregnant, lactating and breast feeding women; dietetic milk for pregnant, lactating and breast feeding women; dietary fiber; protein dietary supplements; soy protein dietary supplements; protein supplements shakes; energy bars used as food supplements; dietary supplements for human beings.) and 30(Cereals and preparations made from cereals; breakfast cereals; cereal bars; muesli; snack food, cereal-based; snack food, rice-based; biscuits; high-protein cereals bars; cakes; pastries; sugar confectionery; dessert mousses [confectionery]; pancakes; waffles; chocolate; cocoa-based beverages; chocolate-based beverages; coffee-based beverages; tea-based beverages; custard; ice cream; sherbets [ices]; edible ices ; fruit coulis [sauces]; chocolate-based spreads; chocolate spreads containing nuts; energy bars other than for dietary or medical purposes.) (526): None (730): BLEDINA Société par actions simplifiée France of 81 rue de Sans Souci,69760 Limonest, France (740): Hamilton Harrison & Mathews Advocates of P.O. Box 30333 - 00100, Nairobi, Kenya

BLEDINE

(210): 125316 (220): 23/11/2022

(300): None (511): 1(Multipurpose contact adhesive.) (526): Registration of this mark shall give no right to the exclusive use of the words "PRIME" and "BOND" each separately and apart from the mark as a whole. (730): MULTI CLASSIC CHEMICALS LIMITED of P.O. Box 388588 - 00100, Nairobi, Kenya (740): None



(210): 125370 (220): 28/11/2022

(300): None (511): 36(Insurance; Financial affairs; Monetary affairs; Real estate affairs) (526): None (730): KENYAN ALLIANCE INSURANCE CO. LTD. of P. O. Box 30170 - 00100, Nairobi, Kenya (740): None

Kaisure

(210): 125447 (220): 01/12/2022

(300): None (511): 25(Clothing, footwear, headwear.) and 35(Advertising; business management, organization and administration; office functions; offering for sale and the sale of goods in the retail and wholesale trade.) (526): Registration of this mark shall give no right to the exclusive use of the letter "W" separately and apart from the mark as a whole. (730): WOOLWORTHS PROPRIETARY LIMITED of Woolworths House, 93 Longmarket Street, Cape Town, Western Cape, South Africa (740): Coulson Harney Advocates of P. O. Box 10643 - 00100, Nairobi, Kenya



(210): 125509 **(220):** 07/12/2022
(300): None **(511):** 9(Computer programs, downloadable; identity cards, magnetic; downloadable music files; computer software applications, downloadable; ticket printers; security tokens [encryption devices]; invoicing machines; mobile telephones; credit card terminals; theft prevention installations; electric), 35(Advertising / publicity; business management assistance; sales promotion for others; book-keeping / accounting; providing business information; personnel management consultancy; compilation of information into computer databases; updating and maintenance of data in computer databases; sponsorship search; rental of sales stands), 36(Online banking; providing financial information; exchanging money; electronic funds transfer; providing insurance information; business liquidation services, financial processing of credit card payments; loans [financing]; processing of debit card payments; debt advisory services) and 42(Computer programming; computer software design; updating of computer software; computer system design; computer software consultancy; server hosting; software development in the framework of software publishing; development of computer platforms; user authentication services using single sign-on technology for online software applications; software engineering services for data processing) **(526):** Registration of this mark shall give no right to the exclusive use of the words 'Buy', 'Now', 'Pay' and 'Flexibly' each separately and apart from the mark as a whole. **(730):** TRANSSNET FINANCIAL SERVICES LIMITED of Room 604, 6f, South Tower, World Finance Centre, Harbour City, 17 Canton Road, Tsim Sha Tsui, Kowloon, Hong Kong **(740):** Iseme, Kamau & Maema Advocates of P. O. Box 11866 - 00400, Nairobi, Kenya



(210): 125555 **(220):** 09/12/2022
(300): None **(511):** 5(Pharmaceutical preparations for the treatment of headache, facial pain, and migraine.) **(526):** None **(730):** PFIZER IRELAND PHARMACEUTICALS of Operations Support Group Ringaskiddy, County Cork, Ireland **(740):** Kaplan & Stratton Advocates of P. O. Box 40111 - 00100, Nairobi, Kenya



(210): 125556 **(220):** 09/12/2022
(300): None **(511):** 5(Pharmaceutical preparations for the treatment of headache, facial pain, and migraine.) **(526):** None **(730):** PFIZER IRELAND PHARMACEUTICALS of Operations Support Group Ringaskiddy, County Cork, Ireland **(740):** Kaplan & Stratton Advocates of P. O. Box 40111 - 00100, Nairobi, Kenya

NURTEC

(210): 125572 **(220):** 09/12/2022
(300): None **(511):** 41(Education; Providing of training; Entertainment; Sporting and cultural activities) **(526):** Registration of this mark shall give no right to the exclusive use of the device of 'High Heel', the words 'Heels' and 'Green' and the letters 'G' and 'H' each separately and apart from the mark as a whole. **(730):** FUTURE NI KIKE LIMITED of P. O. Box 3366 - 00506, Nyayo Stadium, Nairobi, Kenya **(740):** Wanjiku Muchoki & Co. Advocates of P. O. Box 38529 - 00100, Nairobi, Kenya



(210): 125607 **(220):** 13/12/2022
(300): None **(511):** 5(Pharmaceuticals) **(526):** None **(730):** PRUNUS PHARMA LIMITED of A4, Akshrap Holdings Limited, Mombasa Road, P. O. Box 26720 - 00504, Nairobi, Kenya **(740):** None

LOFNAC

(210): 125611 (220): 13/12/2022

(300): None (511): 5(Pharmaceuticals) (526): None (730): PRUNUS PHARMA LIMITED of A4, Akshrap Holdings Limited, Mombasa Road, P. O. Box 26720 - 00504, Nairobi, Kenya (740): None

RITEVISION

(210): 125649 (220): 14/12/2022

(300): No. 86869 of 30th June 2022 in Jamaica (511): 34(Cigarettes; tobacco, raw or manufactured; tobacco free oral nicotine pouches (not for medical use); snuff with tobacco; snus with tobacco; snuff without tobacco; snus without tobacco; roll your own tobacco; pipe tobacco; tobacco products; tobacco substitutes (not for medical purposes); cigars; cigarillos; lighters; matches; smokers' articles; cigarette paper, cigarette tubes, cigarette filters; pocket apparatus for rolling cigarettes; hand held machines for injecting tobacco into paper tubes; electronic cigarettes; liquids for electronic cigarettes; tobacco products for the purpose of being heated.) (526): Registration of this mark shall give no right to the exclusive use of the word "WONDERFUL" separately and apart from the mark as a whole. (730): BRITISH AMERICAN TOBACCO (BRANDS) LIMITED of Globe House, 4 Temple Place London WC2R 2PG, United Kingdom (740): Iseme Kamau & Maema Advocates of P.O. Box 11866 - 00400, Nairobi, Kenya

**WEIRDLY
WONDERFUL**

(210): 125679 (220): 15/12/2022

(300): None (511): 9(Electrical, electronic, telecommunications and telephonic apparatus and instruments; radio telephones; mobile telephones; encoded cards; tokens for activating electrical, electronic and telecommunications apparatus and instruments; smart cards; data communication apparatus and instruments; modems; parts included in this class for all the aforesaid goods; computer software; computer software for wireless data communication; computer software, including computer software supplied from a computer database, the internet or other electronic network; data communications software; application software, including application software for mobile devices; downloadable computer software applications; computer software and application software for the synchronisation, transmission and sharing of voice, data, calendar and content between one or more electronic devices, for purchasing applications, handheld electronic devices and for secure, encrypted purchases; cards containing microprocessors; electronic media for storing information, data, images and sound; digital media content (downloadable), including films, television programmes, radio programmes, videos, images, music, text, data, images, graphics and ringtones, provided from a computer database, the internet or other electronic network; satellite receiving and transmission apparatus and instruments; computer and video game software programs, including downloadable game programs; electronic publications (downloadable) provided online from computer databases, the internet or other electronic networks; machine readable data carriers; downloadable digital audio, video and data provided from a computer database, or the internet or other electronic network; wireless handheld telecommunication units and devices, namely, tablets, wireless phones, mobile phones, smart phones, computers, portable telephones, video telephones, radios, smart watches, USB dongles, GPS trackers, wearable activity trackers, video cameras, cameras, personal digital assistants, handheld, mobile and tablet computers for the synchronisation, transmission, recordal, storage and manipulation of data and/or voice; computer software for the

SOTE

streaming transmission and encryption and storage, of audio, video, graphics, text and data on and over communication networks; computer software to enable peer-to-peer networking and file sharing; search engine software; computer software for conducting and co-ordinating communications among computer users sharing information and audio data via electronic communications networks; software for interactive televisions; image and video editing software including software applications for use on mobile devices; software for the identification of persons; software for access control, video control and detecting the presence of persons; software for computer security, including antivirus, firewalls, antispam, anti-spyware, web filtering; intrusion detection software; virtual private network software.), 35(Advertising, marketing and promotion services; retail services connected with telephones, mobile telephones, smartphones, mobile digital devices, telecommunication apparatus, computer software, computers and electronic communication networks and accessories for such goods, set-top boxes and modems, telecommunication apparatus, devices and accessories; the bringing together, for the benefit of others, of a variety of telecommunications and computer services, enabling customers to conveniently view and purchase those services; telephone answering and message handling services; provision of space on websites for advertising goods and services; the bringing together, for the benefit of others, of a variety of communications and telecommunications apparatus, instruments and software, enabling customers to conveniently view and purchase those goods, including such services provided on-line from a computer database, the Internet or other electronic network; the bringing together, for the benefit of others, of a variety of services in the field of entertainment fashion, lifestyle, music, sports, news, current affairs, business, finance, trade, technology, science, nature, industry, transport, art, history, travel and culture, games and gaming, film and navigation enabling users to conveniently view and acquire those services; the bringing together, for the benefit of others, of a variety of downloadable digital media content, including software, software applications, films, television programmes, radio programmes, videos, music, text, data, images, graphics and ringtones, enabling customers to conveniently view and purchase those goods; the bringing together for the benefit of others of a variety of services providers, namely providers of digital media content including software, software applications, films, television programmes, radio programmes, videos, music, text, data, images, graphics and ringtones via the Internet or telecommunications network or via a streaming service, enabling customers to conveniently view and purchase those services; provision of information and advice to the prospective purchasers of commodities and goods; administration of loyalty programmes involving discounts or incentives; loyalty card services; organisation, operation and supervision of sales and promotional incentive schemes; provision of information and advice on the supply and promotion of products and selection and display of goods; compilation and systemisation of information into computer databases and online searchable databases; data storage and retrieval services; Internet services namely creating indexes of information, sites and other resources available on a global computer network for others; compilation of directories, including business and commercial directories, for publication on computer databases, the Internet or other electronic networks; searching, browsing and retrieving

information, sites and other resources available on global computer networks for others; organizing content of information provided over a global computer network according to user preference; arranging and conducting of exhibitions for business purposes; database and data processing services; data management services; collection of data; business data analysis; business promotion, research, management, administration, assistance and information services; business strategy and planning services; economic forecasting, marketing, market research, market analysis and survey services; publication of publicity texts; compilation of statistical information; provision of trade information; dissemination of advertising for others via wireless network, telecommunication apparatus or devices or a global computer network; advertising services provided by television and radio and via electronic media; telephone answering and message handling services; provision of information and advice on the supply and promotion of products and selection and display of goods; customer club services, for commercial, promotional and/or advertising purposes; subscriptions (arranging -) to telecommunication services for others; subscriptions (arranging -) to a telematics, telephone or computer service [internet]; subscription to a television channel; auctioning via telecommunications networks; electronic commerce services, namely, providing information about products via telecommunication networks for advertising and sales products; publicity and sales promotion relating to goods and services, offered and ordered by telecommunications; business promotion services provided by telephone; organisation for a third party of telephone welcoming services and of telephone receptionist services; commercial information services provided by access to a computer database; provision of business directory services; arranging of subscriptions to online music streaming services.), 38(telecommunication, mobile and fixed telecommunication and telephone, satellite telecommunication, cellular telecommunication, radio and cellular telephone, radio facsimile, radio paging and radio communication services; transmission and receiving by radio; hire, leasing and rental of telecommunications, radio, radio telephone and radio facsimile apparatus; communication of data by radio, telecommunications and by satellite; automatic telephone answering services; personal numbering services; provision of replacement telecommunications apparatus in the case of breakdown, loss or theft; provision of Internet services, in particular Internet access services; telecommunication of information (including web pages), computer programmes and any other data; electronic mail services; provision of customised display screens on telecommunications apparatus; provision of directory services; provision of location based services for telecommunications apparatus; provision of wireless application protocol services including those utilising a secure communications channel; provision of information relating to or identifying telephone and telecommunications apparatus and instruments; provision of telephone directory services; data interchange services; transfer of data by telecommunications; broadcast or transmission of radio or television programmes; video text, teletext and viewdata services messaging services, namely, sending, receiving and forwarding messages in the form of text, audio, graphic images or video or a combination of these formats; unified messaging services; voicemail services; providing data network services; video conferencing services; video telephone services; providing telecommunications

connections to the Internet or databases; providing access to digital music websites on the Internet; providing access to MP3 websites on the Internet; delivery of digital music by telecommunications; operation of search engines; computer aided transmission of messages, data and images; computer communication services; news agency services; transmission of news and current affairs information; provision of information relating to the aforementioned services; provision of information relating to or identifying telephone or telecommunication apparatus and instruments; services for the transmission, provision or display of information for business or domestic purposes from a computer-stored data bank; provision of information from a computer database, the Internet or other electronic network; providing communication services to security alarm companies, including web communication alerts for alerting companies that an alarm has been activated) and 42(Providing software interfaces to provide personalised access to computer databases, the Internet or other electronic networks; providing software applications through computer databases, the Internet or other electronic networks; hosting services; hosting of digital content on the Internet including on-line blogs and journals; server hosting; hosting websites and computer databases; providing address book calendar and diary services; maintenance and updating of computer software and programmes; on-line computer services; -loud computing; computer rental; design, drawing and commissioned writing, all for the compilation of Web pages on the Internet; computer consultation services; computer programming and software design; installation, maintenance and updating of computer software; creating and maintaining websites; information technology support services; hosting the website of others; provision of information and advice of a technical nature for the prospective purchasers of commodities and goods; information relating to hardware or software, provided online from a global computer network or the internet; operation of search engines; design of communications systems; software as a service; application service provider, namely, hosting computer software applications of others; design of software including software applications for use on mobile devices; provision of information, advisory and consultancy services relating to computers and information technology; designing, managing and monitoring online forums for discussion; research and development services; research and development of new products; research in the field of technology; provision of information, advisory and consultancy services relating to the aforementioned services; monitoring of network systems in the field of telecommunications; encryption, decryption and authentication of information, messages and data; provision of security services for computer networks, computer access and computerized transactions, including through electronic means via wireless network and/or mobile telecommunication devices; data conversion of electronic information, including data and computer programs (except physical conversion); monitoring of network systems in the field of telecommunications; data conversion of electronic information, including data and computer programs (except physical conversion); data warehousing; data mining; database design; testing of electronic data processing systems; rental of software; hosting of podcasts; server hosting; time sharing services for data processing apparatus; computer programming for telecommunications; data security services [firewalls]; data encryption services; data migration services; data recovery

services; data warehousing; off-site data backup; digital compression of data; providing temporary use of non-downloadable computer software for use in the creation and publication of on-line journals and blogs; telecommunications technology consultancy; design of telecommunications apparatus and equipment; development, maintenance and updating of a telecommunication network search engine; design of telephones, including mobile telephones; provision of weather information via the telephone; internet cafe services; internet web site design services; provision of internet search engines; rental of software for internet access; maintenance of software for internet access; providing temporary use of non-downloadable computer software over communication networks, intranets and the internet; updating of software databases; installation and actualization of programs for data processing; computer network services; monitoring of computer networks; data analysis and data mining services; creating, maintaining and updating databases of traffic and travel information; the downloading to and updating of computer software on electric and electronic apparatus, installations for access control, biometric apparatus and installations for access control, closed circuit television systems, cameras, television cameras and video recorders for closed-circuit television, optical and photographic apparatus; downloading and uploading of software for computer security, including antivirus, firewalls, antispam, anti-spyware, web filtering, intrusion detection software (IDS) and virtual private network (VPN) software; installation repair and maintenance of systems for the downloading and updating of computer software to and from vehicles, computer programs for the automotive field; telecommunication technology consultancy; provision of non-downloadable software for promotional and demonstration purposes, for customised display screens on telecommunications apparatus; providing digital content, namely other software applications from a computer database, the internet or other electronic network, all for entertainment or educational purposes.) (526): None (730): HIDIGA INVESTMENTS LTD of P.O. Box 44920 - 00100, Nairobi, Kenya (740): Muthoni Advocates of P. O. Box 28397 - 00200, Nairobi, Kenya

(210): 125699 (220): 16/12/2022

(300): None (511): 10(Belts, electric, for medical purposes; medical apparatus and instruments; cases fitted for medical instruments; surgical drapes; dental apparatus and instruments; dental apparatus, electric; apparatus and installations for the production of X-rays, for medical purposes; X-ray apparatus for medical purposes; galvanic therapeutic appliances; furniture especially made for medical purposes.) (526): None (730): NINGBO RUNYES MEDICAL INSTRUMENT CO., LTD. of No. 456, Tonghui Road, Jiangbei Investment & Pioneering Park C, Ningbo, China (740): Gitahi Munyi & Associates of P.O. Box 19785 - 00100, Nairobi, Kenya

(210): 125710 (220): 16/12/2022

(300): None (511): 39(Travel Arrangement) and 43(Services for providing food and drink; temporary accommodation) (526): None 'EMBOO' is Masaai word meaning 'Group' in English (730): THE PAINTED WOLVES LTD of 251 Little Falls Drive, Wilmington, DE 1980, Nairobi, Kenya (740): Robert Muigai Mwaura of P. O. Box 476 - 00208, Ngong Hills, Nairobi, Kenya

Runyes



(210): 125787 **(220):** 21/12/2022

(300): None **(511):** 5(Animal feed supplements; feed additives; supplements for animals.) **(526):** None **(730):** CAN TECHNOLOGIES, INC. of 15407 McGinty Road West, Wayzata, Minnesota 55391, United Arab Emirates **(740):** J.K. Muchae & Company of P. O. Box 60664 - 00200, Nairobi, Kenya

NUTRITEK

(210): 125789 **(220):** 21/12/2022

(300): None **(511):** 5(Animal feed supplements; feed additives; supplements for animals.) **(526):** None **(730):** CAN TECHNOLOGIES, INC. of 15407 McGinty Road West, Wayzata, Minnesota 55391, United Arab Emirates **(740):** J.K. Muchae & Company of P. O. Box 60664 - 00200, Nairobi, Kenya

DIA-V

(210): 125818 **(220):** 22/12/2022

(300): None **(511):** 9(Computer software for database management; Computer software for document management; Computer software for the collection, organizing, transmission, storage and sharing of data and information; Computer software to 'automate data warehousing; Computer software for managed data transfer; Computer software for automating the moving, copying, validating, and synchronizing of data between databases; Computer software for automating the transfer of data between databases; Computer software for validation of transferred data; Computer software for migrating data to the cloud; Computer software for automating the transfer and synchronization of data between on- premises and off-premises storage systems; Computer software for monitoring data transfers.), 35(Data processing services.), 38(Electronic data transmission; providing access to databases.) and 42(Software as a service (SAAS) services featuring software for data transfer; Software as a service (SAAS) services featuring software for data management; Software as a service (SAAS) services featuring software for monitoring data transfers; Software as a service (SAAS) services featuring software for data warehousing; Software as a service (SAAS) services featuring software for automating the transfer and synchronization of data between databases; Software as a service (SAAS) services featuring software for automating the transfer and synchronization of data between on-premises and off-premises storage systems; Software as a service (SAAS) services featuring software for migrating data to the cloud; Software as a service (SAAS) services featuring software for automating the moving, copying, validating, and synchronizing of data between databases; Platform as a service (P AAS) services featuring software for data transfer; Platform as a service (P AAS) services featuring software for data management; Platform as a service (P AAS) services featuring software for monitoring data transfers; Platform as a service (P AAS) services featuring software for data warehousing; Platform as a service (P AAS) services featuring software for automating the transfer and synchronization of data between databases; Platform as a service (P AAS) services featuring software for automating the transfer and synchronization of data between on-premises and off-premises storage systems; Platform as a service (P AAS) services featuring software for migrating data to the cloud; Platform as a service (P AAS) services featuring software for automating the moving, copying, validating, and synchronizing of data between databases; Technological services, namely, replicating, validating, monitoring and backing up data and databases for others; Technological services, namely, management of on-line databases for others; Technological services, namely, automating data copying; Technological services, namely, automating data transfer, validation and

AWS DATASYNC

synchronization.) **(526)**: ARegistration of this mark shall give no right to the exclusive use of the letters "A", "S" and "W" each separately and apart from the mark as a whole. **(730)**: AMAZON TECHNOLOGIES, INC. of 410 Terry Avenue North, Seattle, Washington 98109, United States of America **(740)**: CFL Advocates of P. O. Box 23555 - 00100, Nairobi, Kenya

(210): 125841 **(220)**: 23/12/2022

(300): None **(511)**: 34(Cigarettes; tobacco, raw or manufactured; roll your own tobacco; pipe tobacco; tobacco products; tobacco substitutes (not for medical purposes); cigars; cigarillos; cigarette lighters for smokers; cigar lighters for smokers; matches; smokers' articles; cigarette paper; cigarette tubes; cigarette filters; pocket apparatus for rolling cigarettes; hand held machines for injecting tobacco into paper tubes; electronic cigarettes; liquids for electronic cigarettes; tobacco products for the purpose of being heated.) **(526)**: None **(730)**: BRITISH AMERICAN TOBACCO (BRANDS) INC. of 251 Little Falls Drive, Suite 100, Wilmington, Delaware, 19808- 1674, United States of America **(740)**: Iseme, Kamau & Maema Advocates of P.O. Box 11866 - 00400 , Nairobi, Kenya

(210): 125852 **(220)**: 03/01/2023

(300): None **(511)**: 38(Providing virtual private network (VPN) services; Providing access to hosted operating systems and computer applications through the Internet.) and 42(Computer services, namely, cloud hosting provider services; software as a service (SaaS) featuring software for virtualization of computer hardware and software; providing virtual computer systems and virtual computer environments through cloud computing; software as a service (SaaS) featuring software for building, deploying, managing, and securing virtual machines on a cloud computing platform; software as a service (SaaS) featuring software for building, deploying, securing, operating, and managing containerized applications on cloud computing platforms; software as a service (SaaS) featuring software for enabling multi-tenancy and resource management in cloud computing and virtualized environments; software as a service (SaaS) featuring software for use in cloud infrastructure management and automation; software as a service (SaaS) featuring software for use as an application programming interface; software as a service (SaaS) featuring software for securing virtual computer systems and virtual computer environments; computer services, namely, providing a secure virtual computing environment accessible via the Internet for authenticated users; computer services, namely, managing, provisioning, scaling, administering, maintaining, monitoring, securing, and encrypting virtual computer systems and virtual computer environments for others; cloud hosting of virtual computing environments for others; providing online non-downloadable cloud computing software, namely, hypervisor software; providing enterprise and cloud computing services, namely, providing online non-downloadable computer software for enterprise and cloud computing infrastructure and platforms, for the purpose of storage, compute, networking, security, and virtualization in the field of enterprise and cloud computing; software as a service (SaaS) featuring software for separation and virtualization of embedded electronic systems, namely, hypervisors; computer services, namely, providing a virtual computing environment utilizing dedicated network interface cards and controllers for facilitating high speed networking, input/output (I/O) acceleration, and enhanced network security; computer services, namely, cloud hosting of



AWS NITRO SYSTEM

virtual computing environments; software as a service (SAAS) , platform as a service (P AAS), and infrastructure as a service (IAAS) featuring computer software platforms for creating, managing, and deploying cloud computing infrastructure services; platform as a service (paaS) services featuring software platforms for building, deploying, securing, operating, and managing containerized applications on cloud computing platforms; cloud computing featuring software for use in providing virtual computer environments for software-as-a-service (SaaS), infrastructure-as-a-service (IaaS), platform-as-a-service (paaS) and desktop- as-a-service (DaaS) functions; software as a service (SaaS) featuring software that provides access to cloud-based scalable computing resources.) (526): ARegistration of this mark shall give no right to the exclusive use of the letters "A", "S", "W" and the word "SYSTEM" each separately and apart from the mark as a whole. (730): AMAZON TECHNOLOGIES, INC. of 410 Terry Avenue North, Seattle, Washington 98109, United States of America (740): CFL Advocates of P. O. Box 23555 - 00100, Nairobi, Kenya

(210): 125859 (220): 03/01/2023

(300): None (511): 9(Computer software for creating, accessing, managing, sharing, and utilizing, containerized software applications and data containers; Downloadable cloud-computing software for software development and deployment; Computer software for analyzing and managing server space usage and capacity; Computer software for use in management of data on cloud-based servers; Computer software for management of data containers or containerized software applications; Computer software for optimization of cluster space usage; Computer software for managing software application deployments, managing load balancing, performing diagnostics checks, and scaling based on usage.), 35(Business data analysis; Data processing services; Database management services; Updating and maintenance of data in computer databases; Management of on-line databases for others; Management of data.) and 42(Software-as-a-service (SaaS) featuring software for creating, accessing, managing, sharing, and utilizing, containerized software applications and data containers; Software-as-a- service (SaaS) featuring software for cloud computing; Software-as-a-service (SaaS) featuring software for developing cloud-based software applications and programs; Software-as-a-service (SaaS) featuring software for management of server capacity and usage; Software-as-a-service (SaaS) featuring software for management of clusters and server space; Software-as-a-service (SaaS) featuring software for data management; Software-as-a-service (SaaS) featuring software for management of data containers or containerized software applications; Software-as-a-service (SaaS) featuring software for management of data containers, containerized software applications, and data clusters based on usage; Software-as-a-service (SaaS) featuring software for managing software application deployments, managing load balancing, performing diagnostics checks and scaling based on usage; Platform-as-a-service (paaS) for cloud computing; Platform-as-a- service (paaS) featuring software for creating, accessing, managing, sharing, and utilizing, containerized software applications; Platform-as-a-service (paaS) featuring cloud-based data servers, software development tools, software for data management, software for cluster management, software for management of server capacity and usage, and software for managing software application deployments, managing load balancing, performing health checks, service

AMAZON ECS

discovery, and scaling based on usage; Consulting in the field of information technology and cloud computing; Technical support services, namely, infrastructure management services for containerized software applications or data containers; Platform-as-a-service (paaS), Infrastructure-as-a-service (IaaS) and Software-as-a-service (SaaS) services featuring computer software for analyzing and managing containerized software applications, data, or containers containing data on servers; Electronic data storage services in the nature of technical management of data clusters.) (526): CRegistration of this mark shall give no right to the exclusive use of the letters "C", "E" and "S" each separately and apart from the mark as a whole. (730): AMAZON TECHNOLOGIES, INC. of 410 Terry Avenue North, Seattle, Washington 98109, United States of America (740): CFL Advocates of P. O. Box 23555 - 00100, Nairobi, Kenya

(210): 125862 (220): 03/01/2023

(300): None (511): 9(Computer hardware; computer software for data centers and cloud computing service providers that enables them to operate, maintain, manage, and deploy cloud computing resources, infrastructure and applications; computer hardware and software for computer system, cloud computing, and application development, deployment, and management; computer hardware and software systems for integration of datacenters with cloud computing resources, infrastructure and applications; computer hardware and software for connecting, monitoring, managing, controlling, analyzing, securing, and operating data centers; computer software used to deliver, deploy and manage software applications and data over computer networks; computer network servers; computer software for accessing, connecting, managing, configuring and operating computer networks; computer software for design, development, management and deployment of cloud resources, infrastructure and applications in datacenters.), 38(Providing access to hosted operating systems and computer applications through the Internet; providing access to databases; providing multiple-user access to data on the Internet in the field of management of cloud resources, infrastructure and applications via datacenters; providing temporary access to remote computers for the purpose of managing and accessing cloud resources, infrastructure and applications.) and 42(Consulting services in the field of design, selection, implementation, management and use of computer hardware and software systems for others; consulting services related to the development of computer infrastructure and the management of datacenters and cloud computing resources; computer network design for others; computer consultation services; technical support services, namely, troubleshooting in the nature of diagnosing computer hardware and software problems; technology consulting and support services relating to cloud-based application development and deployment; information technology consultation providing enterprise resource planning (erp) and management of on-premises computer hardware and software and integration with cloud-based resources and applications; providing temporary use of online non-downloadable software for enabling business enterprises, data centers, and telecommunication service providers to deploy, access, manage, troubleshoot, track, and upgrade network software and services; software as a service (SaaS) featuring software for design, development, management and deployment of cloud resources, infrastructure and applications in datacenters; platform as a service (paaS)

AWS OUTPOSTS

services featuring software for design, access, development, management and deployment of cloud resources, infrastructure and applications in datacenters.) (526): Registration of this mark shall give no right to the exclusive use of the letters "A", "S" and "W" each separately and apart from the mark as a whole. (730): AMAZON TECHNOLOGIES, INC. of 410 Terry Avenue North, Seattle, Washington 98109, United States of America (740): CFL Advocates of P. O. Box 23555 - 00100, Nairobi, Kenya (210): 125872 (220): 03/01/2023

(300): None (511): 9(Computer software, namely, software for monitoring, detecting, identifying, tracking, logging, analyzing and reporting in the field of security monitoring and threat and intrusion detection; computer software for continuous security monitoring and threat and intrusion detection for cloud-based applications and services; network threat detection software; computer network security software; network access management and monitoring software; computer software development tools; computer software for allowing users to access, query, analyze, and quarantine cloud-based information and applications; computer software for data processing; computer hardware; computer software for the collection, editing, organizing, modifying, transmission, storage and sharing of data and information; computer software for IT security; computer software for data protection; computer software for data security; computer software for preventing attacks on networks, data, applications and services; computer software for insider threat detection and prevention; computer software for security and threat detection, monitoring, prevention and remediation; computer software for protecting user accounts, networks and applications from compromise; computer software for reading and analyzing computer event logs; computer software for monitoring computer network access and activity; computer software for detecting third party reconnaissance actions by potential attackers; computer software for automated remediation of security threats; computer software for identifying unauthorized, malicious or unexpected activity that present threats to user accounts, applications and services running in the cloud; computer software that uses machine learning for threat detection, threat intelligence and anomaly detection to proactively identify, alert and remediate malicious or unauthorized activity; computer software that provides detailed security findings on potential and actual unauthorized, malicious, or unexpected activity related to user accounts, applications or services.), 38(Providing access to hosted operating systems and computer applications through the Internet; providing access to databases; providing multiple-user access to data on the Internet in the fields of computer network security, security monitoring, threat detection and remediation; providing temporary access to remote computers for the purpose of running software programs.) and 42(Consultation in the field of cloud computing; research and development in the field of network security; research and development in the field of software; research and development in the field of information technology; computer systems analysis; computer systems, software and hardware consulting; computer technology consulting; computer security consulting; IT consulting; computer network security consulting; consulting in the field of security monitoring and threat detection; software as a service (SaaS) featuring software for network security; application service provider (ASP) services featuring software for network security; platform as a service (paaS) services featuring software for network security, security

GUARDDUTY

monitoring, threat and intrusion detection and remediation; providing temporary use of non-downloadable software featuring software for network security, security monitoring, threat detection and remediation; software rental; software as a service (SaaS) featuring software for monitoring, detecting, identifying, tracking, logging, analyzing and reporting in the field security monitoring and threat and intrusion detection; software as a service (SaaS) featuring software for continuous security monitoring and threat and intrusion detection for cloud-based applications and services; software as a service (SaaS) featuring software for allowing users to access, query, analyze and quarantine cloud-based information and applications; software as a service (SaaS) services featuring software in the fields of computer security, security monitoring, threat detection and remediation; software as a service (SaaS) featuring software for the collection, editing, organizing, modifying, transmission, storage and sharing of data and information; software as a service (SaaS) featuring software for IT security; software as a service (SaaS) featuring software for data protection; software as a service (SaaS) featuring software for data security; software as a service (SaaS) featuring software for preventing attacks on networks, data, applications and services; software as a service (SaaS) featuring software for insider threat detection and prevention; software as a service (SaaS) featuring software for security and threat detection, monitoring, prevention and remediation; software as a service (SaaS) featuring software for protecting user accounts, networks and applications from compromise; software as a service (SaaS) featuring software for reading and analyzing computer event logs; software as a service (SaaS) featuring software for monitoring computer network access and activity; software as a service (SaaS) featuring software for detecting third party reconnaissance actions by potential attackers; software as a service (SaaS) featuring software for automated remediation of security threats; software as a service (SaaS) featuring software for identifying unauthorized, malicious or unexpected activity that present threats to user accounts, applications and services running in the cloud; software as a service (SaaS) featuring software that uses machine learning for threat detection, threat intelligence and anomaly detection to proactively identify, alert and remediate malicious or unauthorized activity; software as a service (SaaS) featuring software that provides detailed security findings on potential and actual unauthorized, malicious, or unexpected activity related to user accounts, applications or services; monitoring of computer systems and databases for unauthorized access or data breach; computerized security services, namely, electronically monitoring, identifying, detecting and reporting on unauthorized, malicious or unexpected access activity related to user accounts, applications or services.) **(526)**: Registration of this mark shall give no right to the exclusive use of the word "GUARD" separately and apart from the mark as a whole. **(730)**: AMAZON TECHNOLOGIES, INC. of 410 Terry Avenue North, Seattle, Washington 98109, United States of America **(740)**: CFL Advocates of P. O. Box 23555 - 00100, Nairobi, Kenya

(210): 125874 (220): 03/01/2023

(300): None (511): 9(Computer software development tools; Computer software, namely, software development tools for the creation of mobile internet applications and client interfaces; Computer software for computer system and application development, deployment and management; Web site development software; Computer software for code development, code editing, code testing, API selection and integration, code language selection and integration, plugins selection and integration, and code deployment or integration; Computer software for creating, testing, launching, managing, and working on software development projects; Computer software for management, including permission and privilege assignments, of a team of software developers working on a software development project; Computer application software for code development, code editing, code testing, API selection and integration, code language selection and integration, plugins selection and integration, and code deployment or integration; Downloadable mobile applications for code development, code editing, code testing, API selection and integration, code language selection and integration, plugins selection and integration, and code deployment or integration; Downloadable computer software for code development, code editing, code testing, API selection and integration, code language selection and integration, plugins selection and integration, and code deployment or integration.), 38(Internet services, namely providing multiple-user access to information on the internet concerning the development and generation of computer software for use in businesses as well as the functions and application of such business software; Data communications consultation; Providing access to databases.) and 42(Providing temporary use of on-line non-downloadable software development tools; Platform as a service (P AAS) featuring computer software platforms for software development tools; Platform as a service (P AAS) featuring computer software platforms for code development, code editing, code testing, API selection and integration, code language selection and integration, plugins selection and integration, and/or code deployment or integration; Cloud computing featuring software for use for code development, code editing, code testing, API selection and integration, code language selection and integration, plugins selection and integration, and/or code deployment or integration; Cloud computing featuring software for use for software development; Software as a service (SAAS) services featuring software for code development, code editing, code testing, API selection and integration, code language selection and integration, plugins selection and integration, and/or code deployment or integration; Software as a service (SAAS) services featuring software for developing software, including development tools; Providing on-line non-downloadable software for code development, code editing, code testing, API selection and integration, code language selection and integration, plugins selection and integration, and/or code deployment or integration; Application service provider featuring application programming interface (API) software for assisting code developers with code development, code editing, code testing, API selection and integration, code language selection and integration, plugins selection and integration, and/or code deployment or integration; Computer consulting services, namely consulting services concerning software development tools and technology; Providing temporary use of on-line non-downloadable software

AWS CODESTAR

development tools for website, mobile application, or software development; Internet-based application service provider, namely, hosting, managing, developing, analyzing, and maintaining the code, applications, and software for web sites of others; Providing an Internet website portal in the fields of technology and software development; Providing information in the fields of technology and software development via an on-line website; Providing temporary use of on-line non-downloadable cloud computing software for launching, managing, and working on software development projects; Providing temporary use of on-line non-downloadable cloud computing software for management, including permission and privilege assignments, of a team of software developers working on a software development project; Information, advisory and consultancy services relating to all the aforesaid.) (526): Registration of this mark shall give no right to the exclusive use of the letters "A", "W" and "S" each separately and apart from the mark as a whole. (730): AMAZON TECHNOLOGIES, INC. of 410 Terry Avenue North, Seattle, Washington 98109, United States of America (740): CFL Advocates of P. O. Box 23555 - 00100, Nairobi, Kenya

(210): 125875 (220): 03/01/2023

(300): None (511): 9(Scientific, nautical, surveying, photographic, cinematographic, optical, weighing, measuring, signaling, checking (supervision), life-saving and teaching apparatus and instruments; apparatus and instruments for conducting, switching, transforming, accumulating, regulating or controlling electricity; apparatus for recording, transmission or reproduction of sound or images; magnetic data carriers, recording discs; automatic vending machines and mechanisms for coin-operated apparatus; cash registers, calculating machines, data processing equipment and computers; fire-extinguishing apparatus; downloadable software for accessing and managing of computer applications over a global computer network.), 38(Telecommunications; provision of access to data or documents stored electronically in central files for remote consultation; secure transmission of data, sound or images; transmission and dissemination of data, sound and images by telecommunications; providing a virtual computing environment accessible via the internet.) and 42(Scientific and technological services and research and design relating thereto; industrial analysis and research services; design and development of computer hardware and software; computer services, namely remote hosting of operating systems and computer applications; providing access to hosted operating systems and computer applications through the internet; rental of computing and data storage facilities of variable capacity; software, non-downloadable, accessible over a global computer network, for managing computer applications.) (526): CRegistration of this mark shall give no right to the exclusive use of the letters "C", "E" and the numeral "2" each separately and apart from the mark as a whole. (730): AMAZON TECHNOLOGIES, INC. of 410 Terry Avenue North, Seattle, Washington 98109, United States of America (740): CFL Advocates of P. O. Box 23555 - 00100, Nairobi, Kenya

(210): 125878 (220): 03/01/2023

(300): None (511): 9(Computer hardware and software for video streaming; computer hardware and computer software programs for the high-speed formatting and processing of audio and video streams for use within broadcast; cable, online, and mobile applications; computer application software to allow users to process, convert, trans code, encode, decode, encrypt,

AMAZON EC2

AWS ELEMENTAL

decrypt, distribute and manipulate digital video, image and audio files, streams and media; software development kits (SDKs); software development kits (SDKs) that provide software plug-in applications to allow users to edit, process, convert, transcode, encode, decode, encrypt, decrypt, distribute and manipulate digital video, image and audio files, streams and media; computer software tools used to integrate software plug-in applications into video and audio equipment; computer hardware; media processing software; computer software for inserting and removing advertising and other content into video streams; computer software for digital rights management; computer software for time-shifted television viewing; computer software for deploying live and on-demand video content; computer software for provisioning and dynamically scaling video processing, delivery, and storage services; computer servers; video processing servers.), 38(Streaming of data; streaming of audio and video material on the Internet; electronic data transmission; video-on-demand transmission; broadcasting services; consulting in the field of data, audio and video streaming and transmission; providing internet chatrooms; providing on-line forums for transmission of messages among computer users.) and 42(Digital video and audio processing services, digital formatting and compression of music and images, namely, processing of digital music and video images into distributable products; software as a service (SAAS) services featuring software for video streaming; software as a service (SAAS) services featuring software for formatting and processing of audio and video streams; software as a service (SAAS) services featuring software to allow users to process, convert, trans code, encode, decode, encrypt, decrypt, distribute and manipulate digital video, image and audio files; software as a service (SAAS) services featuring software for media processing; software as a service (SAAS) services featuring software for deploying live and on-demand video content; software as a service (SAAS) services featuring software for inserting and removing advertising and other content into video streams; software as a service (SAAS) services featuring software for digital rights management; software as t. service (SAAS) services featuring software for time-shifted television viewing; software as a service (SAAS) services featuring software for provisioning and dynamically scaling video processing, delivery, and storage services; consulting services in the field of video processing and distribution; consulting services in the field of software as a service (SAAS); software design and consulting services; design of video processing hardware; technical support services, namely, troubleshooting of computer software problems; technical support services, namely, troubleshooting in the nature of diagnosing computer hardware and software problems; engineering; hosting an online community website featuring shared communications between community members interested in video processing and distribution.) **(526)**: Registration of this mark shall give no right to the exclusive use of the letters "A", "S" and "W" each separately and apart from the mark as a whole. **(730)**: AMAZON TECHNOLOGIES, INC. of 410 Terry Avenue North, Seattle, Washington 98109, United States of America **(740)**: CFL Advocates of P. O. Box 23555 - 00100, Nairobi, Kenya

(210): 125883 **(220):** 03/01/2023

(300): None **(511):** 9(Computer software, namely, software for monitoring, tracking, logging, analyzing, auditing and reporting in the field of regulatory compliance; computer software for monitoring, tracking, logging and analyzing computer network events, user activity, changes to resource activity and security statistics; network threat detection software; computer network security software; network access management and monitoring software; computer software development tools; data backup software; software for archiving and retrieving data; computer software for allowing users to access, query and analyze information stored in databases and data warehouses; computer software for data storage.), 38(Providing access to databases; providing multiple-user access to data on the Internet in the fields of computer network security, event logging and monitoring, and regulatory compliance; providing temporary access to remote computers for the purpose of running software programs.) and 42(Computer services, namely, cloud hosting provider services; electronic data storage; rental of computing and data storage facilities of variable capacity to third parties, namely, rental of web servers and rental of database servers within a cloud infrastructure; providing temporary use of non-downloadable software in the fields of computer network security, event logging and monitoring, tracking of changes to resource activity, data analysis, and regulatory compliance; software as a service (SAAS) services featuring software in the fields of computer security, event logging and monitoring, tracking of changes to resource activity, data analysis, and regulatory compliance; application service provider (ASP) services featuring applications in the fields of computer network security, event logging and monitoring, tracking of changes to resource activity, data analysis, and regulatory compliance; computer services, namely, providing database servers of variable capacity to others; providing database backup computer programs and facilities; remote online backup of computer databases; computer services, namely, monitoring and reporting on the performance, availability, and errors of databases of others; cloud hosting provider services for electronic databases; monitoring of computer systems and databases for security purposes; computerized security services, namely, electronically monitoring, detecting and reporting on suspicious and abnormal patterns of computer network access or activity.) **(526):** Registration of this mark shall give no right to the exclusive use of the word "CLOUD" separately and apart from the mark as a whole. **(730):** AMAZON TECHNOLOGIES, INC. of 410 Terry Avenue North, Seattle, Washington 98109, United States of America **(740):** CFL Advocates of P. O. Box 23555 - 00100, Nairobi, Kenya

CLOUDTRAIL**(210):** 125903 **(220):** 05/01/2023

(300): None **(511):** 9(Consumer electronic products, including electronic wired and wireless LAN enabled doorbells, security base stations, keypads, contact and motion sensors, smoke detectors, alarms, sirens, range extenders, video monitors, and video cameras for monitoring the interior and exterior of homes, retail stores, or offices for security and surveillance; electronic doorbells with a camera allowing persons to identify who is at their door from remote locations; downloadable software and software applications permitting users to identify and communicate with persons at their door; downloadable software and software applications permitting users to monitor their home, office and other facilities, all for use over the

RING

Internet, mobile devices, wireless Internet networks or systems, and other computer and electronic communication networks; speakers; wireless LAN enabled speakers; computer application software for use in controlling and managing speakers; floodlights; luminous signs; electric signs; electronic signs; backlit signs; lighting controllers; lighting control apparatus; electric control devices for lighting fixtures; computer software for sharing videos; Electronic control systems for machines; Software for monitoring and controlling communication between computers and automated machine systems; electronic video surveillance products, including, electronic components of security systems; electronic systems, equipment and instruments, including behavior engine software, positioning engine software, positioning sensors and dynamic intelligent software and sensors for use in connection with internet of things (IoT) enabled devices; Automated self-contained electronic surveillance devices that can be deployed to gather evidence or intelligence; wearable activity trackers; wearable cameras; wearable computers in the nature of smartwatches; wearable computers in the nature of smart glasses; wearable video display monitors; Communications headsets for use with mobile phones, communication radios, intercom systems, or other communications network transceivers; Devices and software for use to connect and control internet of things (IoT) devices; devices for home and environmental monitoring, control, and automation; security surveillance apparatus; alarm monitoring systems; devices and computer software that allow the sharing and transmission of data and information between devices for the purposes of facilitating home and environmental monitoring, control, and automation; data processing equipment; intercommunication apparatus; home automation control devices; stand-alone voice controlled information devices; anti-intrusion and anti-theft warning apparatus and devices; theft prevention installations; security control apparatus; photographic apparatus and instruments; optical apparatus and instruments; apparatus for recording, transmission or reproduction of sound or images; computer hardware and software for processing, reproducing, synchronizing, recording, organizing, downloading, uploading, transmitting, streaming, receiving, playing and viewing images, audio, video and data files; communication devices for voice, data, or image transmission; voice and data transmitters and receivers; computer software; doorbells, electronic locks, motion sensors, alarms, alarm sensors, alarm systems, sensors and detectors, and speakers; video monitors; security cameras; video cameras for monitoring the interior and exterior of residences and commercial buildings, and wireless controllers to remote monitoring, control, and automation; video streaming devices, video recording, and video receiving devices; cameras; webcams; apparatus and devices providing night vision; alarm system and camera mounts and stands; environmental hazard detectors, including, devices that detect and record the presence of water, humidity levels, heat, temperature, movement, motion, and sound; closed circuit television apparatus and cameras; security lights; pet and baby monitors, pet viewing units; parts, fittings and accessories for all the aforesaid goods; downloadable computer, network, and Internet security software; downloadable security software for detecting, blocking, and intercepting viruses, malware, spyware, and unauthorized access; downloadable computer software for providing computer intrusion detection and prevention; computer software for providing cryptographic

network security and data security functions; downloadable computer software for. use in analysis and reporting of firewall log data; downloadable fraud protection software; downloadable privacy control software; downloadable computer software for providing secure access by authenticated users to computer and communication networks and applications; downloadable mobile applications enabling secure access to computer and communication networks and applications; ownloadable computer software for data protection and data security; downloadable software for analyzing privacy threats and detecting malware and other system vulnerabilities for computers and mobile devices; transmitter and receiver used to locate lost pets; computer hardware and software for tracking the location of pets; computer hardware and downloadable software for users to locate, monitor, and track the position of personal property; GPS tracking devices for locating, monitoring, and tracking the position of personal property; Electronic devices for users to locate, monitor, and track personal property programmed to use global positioning systems (GPS) and cellular communications; transmitter and receiver to enable users to locate, monitor, and track personal property; downloadable software for users to monitor position and range of location-tracking devices used in connection with internet of things (IoT) enabled devices for locating, monitoring, and tracking personal property; security software; computer software and software applications for home and environmental monitoring, control, and automation; software and software applications permitting users to identify and communicate with persons at their door; software development kits (SDKs) consisting of computer software for the development, use, and interoperability of APIs that are used by electronic devices, systems, and interchanges that exchange data via communications networks and the internet and that connect with cloud-based data storage and exchange services; software development kits (SDKs) comprising of software development tools and software for use as an application programming interface (API) for creating software and applications related to internet connected consumer electronic devices; software development kits (SDKs) comprising of software development tools and software for use as an application programming interface (API) for creating software and applications related to theft-prevention and security systems, and home and business surveillance systems; voice command and recognition software; computer software used for controlling stand-alone voice controlled information and personal assistant devices; computer software for remote monitoring and analysis; Safety sensors, namely, carbon monoxide detectors, smoke detectors, combination carbon monoxide and smoke detectors, fire detectors, gas leak detectors, temperature detectors, humidity detectors, air quality detectors, water leak detectors, water freeze detectors, and combination water leak and water freeze detectors; Safety alarms, namely, carbon monoxide alarms, smoke alarms, fire alarms, gas leak alarms, water leak alarms, and water freeze alarms; downloadable computer software for use in collecting, monitoring, storing, sharing, and transmitting data from networked safety sensors and networked safety alarms; none of the foregoing for vehicle or transportation related use except for any of the aforesaid goods that are consumer electronic goods designed for use in connection with vehicles as an extension of a security or automation system for dwellings and commercial buildings.), 11(Apparatus for lighting, heating, steam generating, cooking, refrigerating, drying,

ventilating, water supply and sanitary purposes; floodlights, spotlights, wall lights; light bulbs; LED light bulbs; lighting fixtures; lighting fixtures with motion detection; battery powered lighting fixtures; electric lighting fixtures, including, power failure backup safety lighting; sconce lighting fixtures; lanterns for Lighting; light switches; lighting controls; lighting systems, including, led (light emitting diode) modules, power supplies and wiring; lighting apparatus, including, lighting installations; ceiling lights; ceiling light fittings; electric night lights; LED (light emitting diodes) lighting fixtures for use in display, commercial, industrial, residential, and architectural accent lighting applications; LED lighting fixtures for indoor and outdoor lighting applications; lights for illuminating stairs, doors and other portions of buildings; portable battery-operated lights that can be placed on surfaces where other light sources are unavailable; portable utility lights; solar light fixtures, including indoor and outdoor solar powered lighting units and fixtures; spot lights; wall lights; fixtures for incandescent light bulbs; lighting fixtures for use in parking decks and garages; lighting fixtures for use in parking lots and walkways; light diodes; electrical magnifying light fixtures; miniature light bulbs; lighting fixtures that integrate natural daylight and fluorescent lighting into the fixture; lighting for cabinets, pantries, work spaces, sheds, shelving units, and cupboards; power outage lighting systems; none of the foregoing for vehicle or transportation use.), 35(Online retail store services including retail store services in the fields of consumer electronics, general consumer merchandise, security and surveillance equipment, and audio-visual equipment; retail store services featuring a wide variety of consumer goods of others; data processing; data management; collection of data; database and file management; services comprising the recording, transcription, compilation and analysis of video and audio; compilation and systemization of data into computer databases; data searches in computerized files for others; subscriptions to telecommunications database services; promoting consumer awareness of safety and crime prevention.), 38(Telecommunication services; electronic communication services; transmission of data, audio, video and multimedia files; transmission of messages, voice, data, video, and images through a global communications network; communications services; broadcasting services; video communication services; video telephone services; data communication services; data streaming; providing voice communication services over the internet; consultancy and advisory services relating to the aforesaid services.), 41(Audio and video recording services; subscription video recording services; electronic library services for the supply of electronic information (including archive information) in the form of audio and/or video information; consultancy and advisory services relating to the aforesaid services.), 42(Platform as a service (P AAS) featuring computer software platforms for use with home and environmental monitoring, control, and automation systems; software as a service (SAAS) services featuring computer software for use with home and environmental monitoring, control, and automation systems; application service provider featuring application programming interface (API) software for home and environmental monitoring, control, and automation; platform as a service (P AAS) featuring computer software for use to connect and control internet of things (IoT) electronic devices; software as a service (SaaS) featuring computer software for connecting, operating, integrating, controlling, and managing

networked consumer electronic devices; platform as a service (PaaS) featuring computer software for use to connect and control internet of things (IoT) electronic devices; software as a service (SaaS) featuring computer software for connecting, operating, integrating, controlling, and managing networked consumer electronic devices; application service provider (ASP) services featuring software for controlling, integrating, operating, connecting, and managing voice controlled information devices, including cloud-connected and voice-controlled smart consumer electronic devices; security and anti-theft software applications; software applications permitting users to identify and communicate with persons at their door; voice command software applications; computer services, including providing an internet site featuring technology for use in home and environmental monitoring, control, and automation systems; computer services, including providing an internet portal featuring technology enabling users to remotely interact with home and environmental monitoring, control, and automation systems; providing online non-downloadable software for recording, viewing, storing, sharing and analyzing online audio and video; providing temporary use of on-line non-downloadable software for the management and transmission of data; design and development of computer hardware and software; hosting a website for the electronic storage of data; monitoring of computer systems by remote access; monitoring of camera systems by remote access; installation, maintenance and repair of computer software; cloud recording and storage services, including providing cloud hosting provider services and providing temporary use of online non-downloadable cloud computing software for use in electronic storage of data; cloud video recording services, including providing cloud hosting provider services and providing temporary use of online non-downloadable cloud computing software for use in electronic storage of data; electronic storage of electronic media, including images, text, audio, and video data; providing an online non-downloadable internet-based application featuring technology enabling users to share videos; providing an on-line network environment that features technology that enables users to share data; providing temporary use of online non-downloadable software for recording, viewing, storing, sharing, and analyzing data; information technology support services; provision of technical support; consultancy and advisory services relating to the aforesaid services; Cloud recording and storage services, including providing cloud hosting provider services and providing temporary use of online non-downloadable cloud computing software for use in electronic storage of data; cloud video recording services, including providing cloud hosting provider services and providing temporary use of online non-downloadable cloud computing software for use in electronic storage of data; providing an online non-downloadable internet-based application featuring technology enabling users to share videos; providing an online network environment that features technology that enables users to share data; none of the aforesaid software services being in relation to vehicles or transportation related use except for software services used in connection with consumer electronic goods designed for use in connection with vehicles as an extension of a security or automation system for dwellings and commercial buildings; cybersecurity services in the nature of restricting unauthorized access to computer systems; technology consultation in the field of cybersecurity; computer network security services,

including providing secure network access in the nature of restricting and controlling access privileges of users of computing resources based on assigned credentials for the purposes of mitigating cybersecurity risks; computer services, including unauthorized user and unauthorized software intrusion detection and protection; computerized security services, including electronically monitoring, detecting and reporting on suspicious and abnormal patterns of computer network access, computer viruses, and computer security threats; computer services, including data recovery services; computer services, including detection of computer viruses and computer security threats; computer systems analysis in the field of security, access, authorization, authentication encryption, and identification systems for computers and computer networks; computer virus protection services; development, updating, and maintenance of software for networks and standalone computers in the fields of security, and anti-virus protection and monitoring; cybersecurity services in the nature of restricting unauthorized access to computer systems; providing consultation and information in the field of identity theft protection featuring methods and techniques to safeguard computerized and online personal identifying information from unauthorized access; monitoring of computer systems for detecting unauthorized access or data breach, and to ensure proper functioning; software as a service (SaaS) featuring network security software; software as a service(SaaS) featuring software for data protection and data security; monitoring of computer systems and databases for security purposes in the nature of protecting data and information from unauthorized access; computerized security services, including electronically monitoring, detecting and reporting on suspicious and abnormal patterns of computer network access or activity in the nature of protecting data and information from unauthorized access; providing authentication services via online non-downloadable software for establishing and transmitting security credentials between computers; Maintenance of computer software relating to computer security and prevention of computer risks; Providing a web site featuring technology that enables users to track, monitor and locate pets; Computer services, including creating, maintaining, designing, and implementing web sites for others to enable users to locate, monitor, and track the position of personal property; providing technology information in the field of wearable technological products for users to locate, monitor, and track personal property; providing a web site featuring technology that enables users to locate, monitor, and track personal property; temporary provision of non-downloadable computer software relating to location specific-information for disaster prevention and emergency disaster response; consultancy and advisory services relating to the aforesaid services.) and 45(Home security monitoring services; consultancy, advisory and information services relating to home security monitoring; electronic monitoring and security services for residential and commercial properties; fraud and identity theft protection services; providing information about safety and crime prevention; consulting services in the field, of public safety, including, disaster prevention consultancy; providing a website featuring information about safety and crime prevention; monitoring of environmental sensors in homes, businesses, and other facilities for disaster detection, prevention, and warning.) **(526):** None **(730):** AMAZON TECHNOLOGIES, INC. of 410 Terry Avenue North, Seattle, Washington 98109, United States of America **(740):** CFL Advocates of P. O. Box 23555 - 00100, Nairobi, Kenya

(210): 125937 **(220):** 10/01/2023

(300): None **(511):** 35(Advertising, Business and Retail Services), 36(Insurance) and 42(Computer & Software Services)

(526): None **(730):** LCT AFRICA LIMITED of P. O. Box 58013-00200, 3rd Floor, State House Avenue, Nairobi, Kenya **(740):** Kennedy Mutua Mutuku of P. O. Box 29014 - 00100, Nairobi, Kenya



(210): 125943 **(220):** 10/01/2023

(300): None **(511):** 5(Pharmaceuticals) and 10(medical apparatus & instruments, latex powder gloves, surgical gloves use for medical gloves) **(526):** None **(730):** GOODSTRAIN PHARMA LIMITED of P. O. Box 63878-0735720051, Kenya **(740):** None

GOODSTRAIN

(210): 126011 **(220):** 16/01/2023

(300): None **(511):** 7(3-way valves; actuators; adaptors for spark plugs and distributors; components for agricultural, implements, namely, turbochargers, fans, friction plates, brake plates, one-way clutches; air control valves; air suspension solenoids; anti-lock solenoids; arm ..guides; auxiliary heaters; axles; battery coolers; battery heaters; blowers; bypass valves; cabin heaters; centrifugal pumps; clutch discs; clutch linings; clutch modules; clutch springs; clutch systems; clutches; conductive silver repair set connection pieces for leads, namely, centering sleeve, contact, sleeve, distributor connector, ignition cable sleeves, thread sleeves, ratchet sleeves, contact sleeve, saw-tooth thread sleeves, saw-tooth thread sleeves angled, vermin protection rings; contact points for ignition systems; contact sets; control modules; controllers; coolant pumps; couplings; electric generators; electric motors for machines; filters; glow plugs and glow plug accessories, namely, adapter cables, heater and starter switches, insulating spacers, knurled nuts, magnetic valves, series resistors with bi-metal contact, heater warning lights, covers for heater warning lights, quick start-set for diesel passenger vehicles relay/control units; heat exchangers; injectors and injector accessories, namely, heat insulating washers, copper seals for injector, universal seal hollow screws, leakage oil plugs for nozzle return, leakage oil hose; instant start system; interference suppression devices; leads and lead accessories, namely, power cable, adaptors, plugs, lead assortments; locking hubs; magnetic valves; metal chains for non-automotive use, namely, motorcycles and snowmobiles; sensor technology; sensors; shafts; sleeve type suppressor for distributors; snubbers; solenoid modules; solenoids for transmissions and other; spark plugs and spark plug accessories, namely, lead of nut connector, outer gaskets, spare parts for spark plug testing and cleaning devices, spark plug mounting aid; start systems; suppressor condensers; synchronizers; tensioners; tools and testers, namely, spark plug wrenches, bulb testers, crimping tool for ignition leads, glow plug tester, mounting aid, oxygen sensor tester, puller collet for spark plug adaptors, puller tool for ignition coils, reamer, repair kit for spark plug threads, namely, drill bit and thread inserts, ring, ratchet spanner, socket, spare thread inserts, springs; watershield molded parts; fuel injection systems for engines; fuel pumps for land vehicles; engine fuel pumps; engine parts, namely, electronic fuel injection modules and fuel delivery modules; fuel injectors; fuel injector parts for land vehicles; fuel rails for engines; selective catalytic reduction (SCR) dosing systems for vehicles and components thereof; exhaust gas treatment systems for diesel engines and components thereof; fuel system components for land vehicles, namely, canisters; evaporative emission

PHINIA

canisters; fuel compressors for engines; high-pressure fuel connection pipes; vapor control systems; emission control systems; electric starter motors, starters for motors and engines; alternators; fan drives; electronic control units for engines; water injectors and components thereof; air flow meters; oil filters; fuel filters; engine air control valves; engine idle speed control valves; exhaust system oxygen, nitrous oxide, ammonia, temperature, pressure, particulate matter, and flow sensors being parts of internal combustion engines; ignition cables, ignition coils, ignition coil resistors, ignition condensers, ignition connectors for spark plugs, ignition distributor caps, ignition distributor rotors, ignition leads, ignition modules, ignition systems, ignition systems for heating systems, ignition wire sets; distributors for vehicles; brakes for machines; brake systems for machines; brake hardware, other than for vehicles; disc brakes for machines; brake linings, other than for vehicles; brake pads, other than for vehicles; block brakes, not for land vehicles; engine timing components, namely, variable cam timing and cam phasers; coolant pumps for electric vehicles; water pumps for electric vehicles; oil pumps for electric vehicles.), 9(Control panels; displays; dashboard displays; voltage converters; electric converters; computer software; computer software for the control and monitoring of batteries; power controllers; electrical controllers; motor controllers; electrical inverters; electric inverters; electricity inverters; inverters for power supply; battery indicators; battery chargers; electric battery chargers; battery powered systems; power meters; steering apparatus, automatic, for vehicles; control tillers; accelerators; acceleration and power controllers, diagnostic systems and apparatus for electric vehicles, electric motors and battery powered apparatus; temperature sensors, dynamic sensors; electrical power control apparatus; electrical and electronic control systems and apparatus for electric motors and electric vehicles; electrical and electronic control systems and apparatus for battery powered vehicles and other battery-powered apparatus.) and 12(Air pumps; 4-wheel drive systems and components; all-wheel drive electronic controls and software; all-wheel drive systems and components; axial flow pumps; chain drives; chain tensioners; chains; compressors; dampers; differentials; drive chains; purge valves; ground conductors; electric drive gearboxes; electric drive transaxles; electric drive transmissions; electronic control units; electric motors for vehicles; electronic start controllers for diesel engines; emissions controls; emissions systems; engine thermal systems and controls; engine valve timing systems; exhaust gas recirculation valves; fan drive clutch actuator; fan drive; fans; fan clutch; fan clutch assembly; friction plates; fuel control devices; gears and gear boxes; inverters; magnetos for motorcycles; oil pressure switches; oil pumps; one-way clutches; oxygen sensors; parts for transportation vehicles, land, water and air vehicles; power electronics for vehicles; power train system components; proportional valves; pumps and their parts; recirculation valves; reduction gears; regenerative pumps; regulators; regulators for vehicle generators; rotary compressors; secondary air systems; sprockets; starters; thermal management components and systems; thermal systems; throttle valves; timing chains; timing kits, namely, chains, arm guides, tensioners, sprockets, phasers and solenoids; timing sprockets; tire monitoring systems; tire monitoring system components, namely, tire electronic, tire pressure valve, TSS starter set, valve, caps, and valve cores; torsional vibration dampers; transfer cases; transmission bands;

transmission chains; transmissions; turbochargers; valves; variable force solenoid; variable speed drives; waste gates; water pumps; sensors for land vehicles, namely fuel, pressure, and temperature sensors; domain controllers; testing and diagnostic equipment for engines and components thereof; automotive testing equipment, namely, transmission testing and brake testing equipment, handheld diagnostic scanners, exhaust testing equipment, electronic apparatus for testing automobile engine oil; testing apparatus for electronic equipment, battery testing apparatus, brake testing apparatus, testing apparatus for checking electronic devices; automotive testing equipment, namely, handheld diagnostic scanners; diesel-engine exhaust test instruments; brakes for vehicles; brake systems for vehicles; brake hardware for vehicles; brake pads for vehicles; brake drums for vehicles; brake calipers for vehicles; disc brakes for vehicles; brake rotors for vehicles; brake blocks for vehicles; suspension systems and parts for suspension systems for vehicles, namely, ball joints, bushings, bushing kits, control arms, coil springs, strut assemblies and mounts, anti-roll bars and links; steering systems and parts for steering systems for vehicles, namely, steering racks, tie rod ends, linkages, bushes, bellows, idler arms, stabilizer kits, inner sockets and pitman arms; computer software, used to control engine functions, including combustion control, performance mapping and emissions control; gas and gaseous fuel tanks for land vehicles; computer software used to control vehicle functions.) (526): None (730): BORGWARNER INC. a Delaware Corporation of 3850 Hamlin Road Auburn Hills, Michigan 48326, United States of America (740): Coulson Harney Advocates of P. O. Box 10643 - 00100, Nairobi, Kenya

(210): 126029 (220): 17/01/2023

(300): None (511): 35(Advertising; primarily undertaking communications to the public), 38(Diffusion of Radio/Television Programmes) and 41(Entertainment) (526): Registration of this mark shall give no right to the exclusive use of the words 'Kenya', 'Times' and 'People' each separately and apart from the mark as a whole. (730): CONTINUUM AFRICA MEDIA GROUP SERVICES LIMITED of P. O. Box 356 - 00623, Parklands, Nairobi, Kenya (740): CR ADVOCATES, LLP of P. O. Box 6848 - 00100, Nairobi, Kenya

(210): 126034 (220): 18/01/2023

(300): None (511): 35(Advertising; Business management; Business administration; Office functions) (526): Registration of this mark shall give no right to the exclusive use of the word "SOLUTIONS" separately and apart from the mark as a whole. (730): FARMCARE SOLUTIONS LIMITED of P. O. Box 45191 - 00100, Nairobi, Kenya (740): None

(210): 126042 (220): 18/01/2023

(300): None (511): 30(Chocolates, confectionery, candies, biscuits, cakes, pasta, macaroni, noodles, instant noodles, spaghetti, vermicelli, yeast, baking powder and other bakery ingredients, salad dressings, mayonnaise, vinegar, ketchup and sauces (condiments), ready to cook dough products, frozen dough, frozen parathas, ice creams, non-dairy frozen desserts, frozen fruit desserts, ice desserts, coffee, tea, cocoa, sugar, rice, tapioca, sago, artificial coffee, bread, pastry, treacle, salt, mustard, flour made from cereals, spices, food beverages (grain-based and herbal), gravies, herbal tea, honey, popcorn.) (526): Registration of this mark shall give no right to the exclusive use of the word "CHOCO" separately and apart from

The Kenya Times
By the People, for the People

farmcare
SOLUTIONS

CHOCO LAVA
شوكو لافا

the mark as a whole. **(730)**: INTERNATIONAL FOODSTUFFS CO. LLC a limited liability company organised and existing under the laws of United Arab Emirates of Al-Wahda Street, Industrial Area No. 1 P.O. Box 4115 Sharjah, United Arab Emirates **(740)**: Talal Abu-Ghazaleh Intellectual Property of P. O. Box 2537 - 00606, Nairobi, Kenya

(210): 126044 **(220)**: 18/01/2023

(300): None **(511)**: 30(Chocolates, confectionery, candies, biscuits, cakes, pasta, macaroni, noodles, instant noodles, spaghetti, vermicelli, yeast, baking powder and other bakery ingredients, salad dressings, mayonnaise, vinegar, ketchup and sauces (condiments), ready to cook dough products, frozen dough, frozen parathas, ice creams, non-dairy frozen desserts, frozen fruit desserts, ice desserts, coffee, tea, cocoa, sugar, rice, tapioca, sago, artificial coffee, bread, pastry, treacle, salt, mustard, flour made from cereals, spices, food beverages (grain-based and herbal), gravies, herbal tea, honey, popcorn.)

(526): None **(730)**: INTERNATIONAL FOODSTUFFS CO. LLC a limited liability company organised and existing under the laws of United Arab Emirates of Al-Wahda Street, Industrial Area No. 1 P.O. Box 4115 Sharjah, United Arab Emirates **(740)**: Talal Abu-Ghazaleh Intellectual Property of P. O. Box 2537 - 00606, Nairobi, Kenya

(210): 126051 **(220)**: 19/01/2023

(300): None **(511)**: 35(Business Network) **(526)**: Registration of this mark shall give no right to the exclusive use of the words 'Digital', 'Connect' and the letter 'E' each separately and apart from the mark as a whole. **(730)**: AFRICA BUSINESS WARRIORS of P. O. Box 3001-00200, Nairobi, Kenya **(740)**: None

(210): 126100 **(220)**: 20/01/2023

(300): None **(511)**: 43(cafeteria services; rental of chairs, tables, table linen, glassware; rental of cooking apparatus, decorating of food, food and drink catering.) **(526)**: Registration of this mark shall give no right to the exclusive use of the words "WAMUYA", "FRIED", "CHICKEN" and the device of "chicken" each separately and apart from the mark as a whole **(730)**: WAMUYA FRIED CHICKEN (WFC) LTD of P. O. Box 1259 - 00100, Nairobi, Kenya **(740)**: None

(210): 126173 **(220)**: 23/01/2023

(300): None **(511)**: 18(Leather & imitations of leather, goods made from these), 24(Textiles, textile goods not included in other classes) and 25(Clothing, footwear, headgear) **(526)**: Registration of this mark shall give no right to the exclusive use of the letter "M" per se separately and apart from the mark as a whole. **(730)**: MARANI ATELIER of P. O. Box 20405 - 00100, Nairobi, Kenya **(740)**: None

(210): 126175 **(220)**: 23/01/2023

(300): None **(511)**: 30(Coffee, tea, cocoa and artificial coffee; rice; tapioca and sago; flour and preparations made from cereals; bread, pastries and confectionery; edible ices; sugar, honey, treacle; yeast, baking-powder; salt; mustard; vinegar, sauces (condiments); spices; ice.) **(526)**: The registration of this trademark shall give no right to the exclusive use of the word "GRILL" separately and apart from the mark as a whole. **(730)**: CHIRAG AFRICA LIMITED of P. O. Box 18386 - 00500, Nairobi, Kenya **(740)**: Gichachi & Company Advocates of P. O. Box 79659 - 00200, Nairobi, Kenya

PAYROLL
بيروول

eDigital
Connect

WFC 
WAMUYA FRIED CHICKEN


Marani

GRILL MATE

(210): 126195 **(220):** 25/01/2023
(300): None **(511):** 29(Milk and Milk products) **(526):** Registration of this mark shall give no right to the exclusive use of the words 'PRIDE', 'COWS' and device of 'Cows' each separately and apart from the mark as a whole. **(730):** COUNTRY DELIGHT DAIRY LIMITED of P. O. Box 45669 - 00100, Nairobi, Kenya **(740):** None



(210): 126199 **(220):** 25/01/2023
(300): None **(511):** 16(Paper cardboard and goods made from those materials and etc.), 35(Advertising; business management and administration etc.) and 41(Education; providing of training; entertainment; sporting and cultural activities.) **(526):** Registration of this mark shall give no right to the exclusive use of the word 'COMPANY' separately and apart from the mark as a whole. **(730):** DeKUT ENTERPRISES COMPANY of P. O. Box 657 - 10100, Nyeri, Kenya **(740):** None



(210): 126219 **(220):** 26/01/2023
(300): None **(511):** 33(Whisky; Scotch whisky; alcoholic beverages (except beers).) **(526):** Registration of this mark shall give no right to the exclusive use of the word "COLLECTION" separately and apart from the mark as a whole. **(730):** THE MACALLAN DISTILLERS LIMITED, United Kingdom company of Macallan Distillery, Craigellachie Aberlour, Banffshire AB38 9RX, United Kingdom **(740):** CFL Advocates of P.O. Box 23555 - 00100, Nairobi, Kenya

**THE REID
 COLLECTION**

(210): 126227 **(220):** 26/01/2023
(300): None **(511):** 9(Software for monitoring, measuring, and processing personal activity, fitness plans, training goals, and related feedback and coaching; Software for providing learning modules in the fields of golf and golf instruction, athletics and athletic instruction, science, technology, engineering, and math (STEM) education, self-awareness, mental health and wellness, leadership development, business, finance, and personal development; Software for providing video clips containing exercise demonstrations and information about golf and golf instruction, athletics and athletic instruction, self-awareness, leadership development, business development, finance, and personal development) and 41(Providing golf instruction; Golf fitness instruction; Instruction in the nature of golf clinics; Providing individual and group coaching in the field of golf; Providing individual and group athletic coaching; Educational services, namely, conducting virtual, online, and in-person courses, webinars, seminars, learning modules, vocational guidance, and workshops in the field of golf and athletics; Educational services, namely, conducting virtual, online, and in-person courses, webinars, seminars, learning modules, vocational guidance, and workshops in the fields of science, technology, engineering, and math (STEM) education, self awareness, mental health and wellness, leadership development, business, finance, and personal development; Entertainment in the nature of golf tournaments; Organizing, conducting, and operating golf tournaments; Organizing, conducting, and operating golf camps; Organizing, conducting, and operating athletic camps; Peer to peer coaching services in the field of golf; Providing a website featuring information on golf and golf instruction, athletics and athletic instruction, science, technology, engineering, and math (STEM) education, self-awareness, mental health and wellness, leadership development, business, finance, and personal development; Providing group coaching and in-person learning forums in the field of leadership development; Athletic scouting

CURRY ACADEMY

and recruiting services; Operating a book club for others) (526): Registration of this mark shall give no right to the exclusive use of the word "ACADEMY" separately and apart from the mark as a whole. (730): RUIN THE GAME EVENTS of c/p McDermott Will & Emery LLP, 1865 Jamboree Rd., Suite 250, Irvine, California 92612, United States of America (740): Coulson Harney Advocates of P. O. Box 10643 - 00100, Nairobi, Kenya

(210): 126244 (220): 30/01/2023

(300): None (511): 1(Chemicals for use in industry, science and photography, as well as in agriculture, horticulture and forestry, unprocessed artificial resins, unprocessed plastics; fire extinguishing and fire prevention compositions; tempering and soldering preparations; substances for tanning animal skins and hides; adhesives for use in industry; putties and other paste fillers; compost, manures, fertilizers; biological preparations for use in industry and science; chemicals; nucleic acid sequences, other than for medical or veterinary purposes; chemicals being carriers for use in biosynthesis of nucleic acids; polymer beads for use in biosynthesis of nucleic acids; industrial and scientific chemicals for the treatment of biopolymers, other than for medical and veterinary use; dehumidifying agent [filter]; masking compounds for use in the manufacture of printed circuit boards; ion-exchange resin membranes [chemical preparation]; chemicals for use in the manufacture of membranes; fulling preparations; anti-frothing solutions for batteries; water-softening preparations; detergents for use in manufacturing processes; chemical preparations for scientific purposes, other than for medical or veterinary use; filtering materials of unprocessed plastics; filtering materials of vegetable substances; filtering materials of mineral substances; filtering materials of chemical substances; ceramic materials in particulate form, for use as filtering media; filtering preparations for the beverage industry; water-purifying chemicals; glue and adhesives for industrial purposes; plastic adhesives for industrial purposes; adhesives for applying wall coverings; silicones; adhesives for use in the construction industry; adhesives for ornamental paving; plant growth regulating preparations; fertilizers; ceramic glazings; priming putty; higher fatty acids; non-metallic minerals for use in manufacture; chemical compositions for developing photographs; unexposed sensitized photographic films; reagent paper [not for medical purposes]; artificial sweeteners; flour and starch for industrial purposes; plastics, unprocessed; plastics [raw materials]; unprocessed resins for use in the manufacture of membranes; epoxy resins, unprocessed; fluorine resins, unprocessed; polymer resins, unprocessed; pulp, fluorine; fluorspar compounds; unprocessed plastics in powder, liquid or paste form.), 2(Paints, varnishes, lacquers; preservatives against rust and against deterioration of wood; colorants, dyes; inks for printing, marking and engraving; raw natural resins; metals in foil and powder form for use in painting, decorating, printing and art; canada balsam; copal; sandarac; shellac; dammar; mordants; anti-corrosive preparations; anti-rust preparations; mastic; pine gum; wood preservatives; dyestuffs; pigments; paints; damp proofing paints; Marine antifouling paints; printing ink; printing ink, other than mimeographing inks; mimeographing ink; colors for painting pictures; anti-rust greases; nonferrous metals in foil or powder form for painters, decorators, printers and artists; precious metals in foil or powder form for painters, decorators, printers and artists.), 3(Non-medicated cosmetics and toiletry preparations; non-medicated dentifrices; perfumery, essential



oils; bleaching preparations and other substances for laundry use; cleaning, polishing, scouring and abrasive preparations; soaps for personal use; deodorant soap; shampoos; soaps and detergents; antiperspirant soap; cleaning preparations; detergents, other than for use in manufacturing operations and for medical purposes; cosmetics; cosmetic preparations against sunburn; concealers for spots and blemishes; hair conditioners; bath preparations, not for medical purposes; moisturizing creams, lotions and gels; skin creams; deodorants in the form of film, sheet and tape for personal use; ; deodorants for human beings; body deodorant sprays; deodorants for personal use; waterproof sunscreen; decorative transfers for cosmetic purposes; sweat absorption tapes for personal use [non-medicated toiletries]; tapes for cosmetic use; film for cosmetic use (make up preparations); hair care preparations; antiperspirants [toiletries]; cosmetic skin care preparations; tissues impregnated with cosmetic lotions; tissues impregnated with make-up removing preparations; wipes impregnated with a skin cleanser; coolant for personal or cosmetic use [cosmetic preparations]; coolant sprays for personal or cosmetic use [cosmetic preparations]; coolant sticks for personal or cosmetic use [cosmetic preparations]; perfume and flavour materials; aromatic oils; incense; air fragrancing preparations; false nails; false eyelashes; nail art stickers; breath freshening preparations; breath freshening sprays; dentifrices; mouthwashes, not for medical purposes; double eyelid tapes; adhesives for affixing false eyelashes; adhesives for affixing false hair; laundry starch; seaweed gelatine for laundry use [funori]; adhesives for cosmetic purposes; laundry preparations; fabric softeners for laundry use; dishwashing detergents; wipes impregnated with a cleaning preparation; impregnated cloths for polishing; cloths impregnated with a detergent for cleaning; pre-moistened towelettes impregnated with a detergent for cleaning, antistatic sprays for household purposes; antistatic preparations for household purposes; decorative transfer for body for cosmetic purposes; de-greasing preparations for household purposes; rust removing stain removing benzine; laundry bleach; stain removers; deodorants for animals; paint stripping preparations; shoe cream; shoe black [shoe polish]; polishing preparations; abrasive paper [sandpaper]; abrasive cloth; abrasive sand; artificial pumice stone; polishing paper.), 5(Pharmaceuticals, medical and veterinary preparations; sanitary preparations for medical purposes; dietetic food and substances adapted for medical or veterinary use; dietary supplements for human beings and animals; plasters, materials for dressings; material for stopping teeth, dental wax; disinfectants; preparations for destroying vermin; fungicides, herbicides; nucleic acid-based pharmaceutical preparations; transdermal therapeutic preparations; pharmaceutical preparations for the treatment of skin diseases; medicated shampoos; bath preparations for medical purposes; deodorants for clothing and textiles; coolants for medical purposes; cooling sprays for medical purposes; solvents for removing adhesive plasters; medicine cases, portable, filled; first-aid boxes, filled; first aid kits; surgical tape; adhesive plasters; adhesive tapes for medical purposes; corn pads; corn and callus creams; preparations for the treatment of burns; pharmaceutical products and preparations for chloasma; acne treatment preparations; insect repellents; fly catching paper; mothproofing paper; compresses; remedies for perspiration; underwraps for medical tapes; adhesives for medical tapes; preparations for removing medical tapes; adhesives for

kinesiology tapes; preparations for removing kinesiology tapes; adhesives for medical purposes; removing preparations for medical purposes; medical protective pads; elastic therapeutic tapes; surgical film dressings; surgical dressings; materials for dressing wounds; scapulars for surgical purposes; adhesive bandages; first aid dressings; sterilized dressing; burn dressings; self-adhesive dressings; liquid bandage sprays; bandages for dressings; liquid bandages; gauze for dressings; wadding for dressings; pads for nipples; adhesive nipple patches for medical purposes; tapes for stimulating nasal respiration; oiled paper for medical purposes; adhesive tapes for medical purposes; drug delivery agents in the form of edible wafers for wrapping powdered pharmaceuticals; gauze for dressings; empty capsules for pharmaceuticals; eyepatches for medical purposes; ear bandages; menstruation bandages; menstruation tampons; sanitary napkins; sanitary panties; absorbent cotton; breast-nursing pads; cotton swabs for medical use; diapers; diaper covers; dental materials; preparations for destroying noxious animals; reagent paper for medical purposes; dietetic beverages adapted for medical purposes; dietetic foods adapted for medical purposes; semen for artificial insemination.), 6(Common metals and their alloys, ores; metal materials for building and construction; transportable buildings of metal; non-electric cables and wires of common metal; small items of metal hardware; metal containers for storage or transport; safes; metal materials for building or construction; prefabricated building assembly kits of metal; loading and unloading pallets of metal; turn-tables for load handling; traversers for load handling; paint spraying booths of metal; metal pulleys, springs and valves [not including machine elements]; metal junctions for pipes; metal flanges; metal hardware; metal hardware, not including security locks, keys of metal for locks, ring of metal for keys and padlocks; furniture fall prevention fittings of metal; hooks [metal hardware]; adhesive hooks of metal; towel hooks of metal; security locks; rings of metal for keys; keys of metal for locks; padlocks; industrial packaging containers of metal; industrial packaging containers of metal, not including [metal stoppers, lids and caps]; metal stoppers for industrial packaging containers; metal lids and caps for industrial packaging containers; metal nameplates and door nameplates; stakes of metal for plants or trees; metal stepladders and ladders; hat hanging hooks of metal; clothes hooks of metal; hooks of metal for clothes rails; bag hangers of metal; towel dispensers of metal; metal joinery fittings; safes; upright signboards of metal; transportable greenhouses of metal for household use; shoe dowels of metal; shoe pegs of metal; hobnails of metal; protective metal members for shoes and boots.), 7(Machines, machine tools, power-operated tools; motors and engines, except for land vehicles; machine coupling and transmission components, except for land vehicles; agricultural implements, other than hand-operated hand tools; incubators for eggs; automatic vending machines; metalworking machines and tools; chemical processing machines and apparatus; filter elements for chemical processing; cartridges for filtering machines; filtering machines; filters [parts of machines or engines]; membrane filters for use as parts of machines; food or beverage processing machines and apparatus; desalination films for food or beverage processing machines and apparatus; disintegrators; agitators; machines for the mineralisation of drinking water; wrapping machines; chemical processing filters; hydraulic turbines; dynamos; waste disposal units; mineral water making machines;

oil refining machines; gas separating machines; separating machines; cartridges for filtering machines; filters being parts of machines or engines; water separators; agricultural machines; plowing machines and implements, other than handheld tools; cultivating machines and implements; harvesting machines and implements; plant fiber processing machines and implements for agricultural purposes; fodder presses; fodder cutting machines [feed cutters]; fodder mixing machines [feed mixers]; cake-fodder crushing machines [feed mills]; milk filtering machines; milking machines; chick brooders; incubators for eggs; sericultural machines and implements; glassware manufacturing machines and apparatus; painting machines and apparatus; packaging or wrapping machines and apparatus; plastic processing machines and apparatus; semiconductor manufacturing machines and systems; air filters for semiconductor manufacturing machines and systems; tape sticking machines for semiconductor wafer; machines and apparatus for manufacturing rubber goods; motors and engines [except for land vehicles]; parts of motors and engines [except for land vehicles]; filters for cleaning cooling air, for engines; water mills; wind mills; pneumatic or hydraulic machines and instruments; pumps [machines]; adhesive tape dispensing machines; automatic stamping machines; machines and apparatus for wax-polishing, electric; vacuum cleaners; electric wax-polishing machines; air filters for vacuum cleaners; dust filters for vacuum cleaners; waste compacting machines and apparatus for industrial purposes; waste crushing machines for industrial purposes; power transmissions and gearing for machines; shock absorbers for machines; springs [parts of machines]; brakes for machines; industrial robots), 8(Hand tools and implements, hand-operated; cutlery; side arms, except firearms; razors; scissors; tweezers; edge tools [hand tools]; hair-removing tweezers; shaving cases; pedicure sets; eyelash curlers; manicure sets; table cutlery [knives, forks and spoons]; braiders [hand tools]; hoes [hand-held]; digging forks [spading forks]; rakes [hand tools]; lasts [shoemakers' hand tools]; electric flat irons; electric razors; electric hair clippers; can openers, non-electric; spoons; forks [cutlery]; dressmakers' chalk sharpeners; fire pans for carrying live charcoal [Juno]; fireplace bellows [hand-tools]; fire tongs; bludgeons; ice axes; diving knives; diving knife holders; palette knives.), 9(Scientific, research, navigation, surveying, photographic, cinematographic, audiovisual, optical, weighing, measuring, signalling, detecting, testing, inspecting, life-saving and teaching apparatus and instruments; apparatus and instruments for conducting, switching, transforming, accumulating, regulating or controlling the distribution or use of electricity; apparatus and instruments for recording, transmitting, reproducing or processing sound, images or data; recorded and downloadable media, computer software, blank digital or analogue recording and storage media; mechanisms for coin-operated apparatus; cash registers, devices; computers and computer peripheral devices; diving suits, divers' masks, ear plugs for divers, nose clips for divers and swimmers, gloves for divers, breathing apparatus for underwater swimming; fire-extinguishing apparatus; photocopying apparatus; liquid crystal display[LCD] televisions; LCD projectors; liquid crystal display[LCD] panels for mobile apparatus; liquid crystal displays[LCDs] for computer monitors; liquid crystal display [LCD] panels for computers; touch sensitive liquid crystal display [LCD] for computers; eyeglasses; weight belts for scuba diving; wet suits for diving; air tanks [for scuba diving];

regulators for scuba diving; electronic game software; meters; measures; network communication equipment; integrated circuits; resistances, electric; pollution sensors; remote control devices; heat regulating apparatus; electrolyzers; game programs for arcade video game machines; laboratory apparatus and instruments; scientific research apparatus and instruments; membranes for filtration [scientific]; photographic machines and apparatus; cinematographic machines and apparatus; optical machines and apparatus; polarizing film for displays; polarizing film for optical machines and apparatus; films; optical films for liquid crystal displays; polarizing films for liquid crystal displays; retardation films for liquid crystal displays; light extraction films; light guide plates; prisms [optics]; optical glass; light extraction films and light guide plates for use with light-emitting diode modules; light-emitting diode modules; light extraction films and light guide plates for use with electronic display units and modules therefor, electronic display units; electronic display modules; measuring machines and instruments; testing machines and instruments; power distribution or control machines and apparatus; rotary converters; phase modifiers; electrical control apparatus; covers for electric outlets; battery chargers; touchscreen sensors; solar batteries; batteries and cells; electric or magnetic meters and testers; electric wires and cables; cables for optical signal transmission; fiber optic cables; telecommunication machines and apparatus; personal digital assistants; smartphones; protective films for personal digital assistants; clear protective covers for personal digital assistants; acoustic membranes used in sound recording or reproducing apparatus; electronic machines, apparatus and their parts; electronic control apparatus; electron tubes; semiconductor devices; electronic circuits; computer programs; computer software; computer software platforms, recorded or downloadable; computer software applications, downloadable; barcode label printers; computer software, recorded; films adapted for computer screens; circuit boards; thin-metal based circuit boards for hard disc drives; circuit boards capable of reading and writing on a hard disk; protective films for electronic machines, apparatus and their parts; Geiger counters; high frequency apparatus for welding, cyclotrons, not for medical purposes; industrial X-ray machines and apparatus, not for medical use; industrial betatrons, not for medical use; magnetic prospecting machines; magnetic object detectors; seismic exploration machines and apparatus; hydrophone machines and apparatus; echo sounders; ultrasonic flaw detectors; ultrasonic sensors; electronic door closing control systems; electron microscopes; magnetic cores; resistance wires; electrodes; magnets; flexible magnets in the form of sheets; fire boats; satellites for scientific purposes; dust masks; gas masks; welding masks; gloves for protection against accidents; spectacles [eyeglasses and goggles]; game programs for home video game machines; electronic circuits and CD-ROMs recorded with programs for hand-held games with liquid crystal displays; downloadable image files; recorded video discs and video tapes; phonograph records; downloadable music files; electronic publications; exposed cinematographic films; exposed slide films; slide film mounts; fiber optics; fiber optics connectors; photoelectric composite wiring boards; printed wiring boards; gas separators for scientific and laboratory use; filters for use with gas separators for scientific and laboratory use; membrane elements for use with gas separators for scientific and laboratory use; plastic flat films and membranes

for use with gas separators for scientific and laboratory use; protective plastic films adapted for screens for electronic or optical apparatus and instruments; computer software platforms; modems; routers; computer servers; computer software for use in the operation and control of electronic medical interview systems; computer software for use in the field of kinesiology; audiovisual teaching apparatus; teaching apparatus; wearable computers; protective films adapted for smartphones; smartglasses; smart rings; respiratory masks, other than for artificial respiration; filters for respiratory masks; protective masks; decorative magnets; humanoid robots with artificial intelligence.), 10(Surgical, medical, dental and veterinary apparatus and instruments; artificial limbs, eyes and teeth; orthopaedic articles; suture materials; therapeutic and assistive devices adapted for persons with disabilities; massage apparatus; apparatus, devices and articles for nursing infants; sexual activity apparatus, devices and articles; supporters for medical purposes; orthopaedic supports; knee supports for medical purposes; support bandages; orthopaedic bandages; thermal packs for first aid purposes; cooling pads for first aid purposes; cooling sheets for medical use; cold gel-packed towels for medical use; warming instruments for medical use; cooling instruments for medical use; medical scissors; medical tape cutters; kinesiology tapes; underwraps for kinesiology tapes; nipple protectors; nipple shields for breastfeeding; devices and tools for nasal cavity dilation; finger guards for medical purposes; pacifiers for babies; ice bag pillows for medical purposes; triangular bandages; surgical catguts; feeding cups for medical purposes; dropping pipettes for medical purposes; teats; medical ice bags; medical ice bag holders; baby bottles; nursing bottles; cooling patches for medical purposes; bandages for joints, anatomical; bandages, elastic; suspensory bandages; knee bandages, orthopaedic; contraceptives, non-chemical; artificial tympanic membranes; prosthetics or fillings materials, not for dental use; ear plugs [ear protection devices]; ear plugs for sleeping; ear plugs for soundproofing; medical apparatus and instruments; pads for preventing pressure sores on patient bodies; gloves for medical purposes; masks for use by medical personnel; sanitary masks for medical purposes; sanitary masks for personal use; body rehabilitation apparatus for medical purposes; robotic exoskeleton suits for medical purposes; urinals for medical purposes; bed pans; ear picks; electrocardiographs; athletic tapes; underwraps for athletic tapes.), 12(Vehicles; apparatus for locomotion by land, air or water; protective parts and covers for vehicles; structural parts and covers for vehicles; protective parts with sealing functions, for vehicles; structural parts and covers with sealing for vehicles; vessels; aircrafts; railway vehicles; automobiles; motorcycles; bicycles; traction engine; ropeways for cargo or freight handling; motors and engines for land vehicles; mechanical elements for land vehicles; parachutes; anti-theft alarms for vehicles; wheelchairs; motors, electric, for land vehicles; sleighs and sleds [vehicles]; trolleys; carts; adhesive rubber patches for repairing inner tubes; repair outfits for inner tubes; baby carriage [prams]; couplings for land vehicles; caps for vehicle fuel tanks; doors for vehicles; windows for vehicles; vehicle chassis; valves for vehicle tires; electric vehicles; side view mirrors for vehicles; signal arms for vehicles; vehicle covers [shaped]; rearview mirrors of automobiles; hub caps; air bags [safety devices for automobiles]; bodies for vehicles; bumpers for automobiles; safety seats for children, for vehicles; parts

and fittings for all the aforesaid goods; all the aforesaid goods excluding tires and inner tubes for automobiles and aircrafts, and rims for automobile tires.), 16(Paper and cardboard; printed matter; bookbinding material; photographs; stationery and office requisites, except furniture; adhesives for stationery or household purposes; drawing materials and materials for artists; paintbrushes; instructional and teaching materials; plastic sheets, films and bags for wrapping and packaging; printers' type, printing blocks; pastes for stationery or household purposes; plastic adhesives for stationery or household purposes; wallpaper stencils; sealing wax; printers' reglets [Interline leads]; addressing machines; ink ribbons; automatic stamp affixing machines; electric staplers for offices; envelope sealing machines for offices; stamp obliterating machines; drawing instruments; typewriters; office check writing machines; mimeographs; relief duplicators; paper shredders for office use; franking machines; rotary duplicators; marking templates; decorators' paintbrushes; containers of paper, for packaging; plastic bags for wrapping; plastic cling film, extensible, for palletization; plastic bubble packs for wrapping or packaging; food wrapping plastic film for household purposes; cooking sheets of fluorine resin; underlay sheets of ice tray; paper or plastic food wrapping bags; plastic film for wrapping; garbage bags of paper for household purposes; garbage bags of plastics for household purposes; paper patterns; tailors' chalk; banners of paper; flags of paper, hygienic hand towels of paper; towels of paper; table napkins of paper; hand towels of paper, handkerchiefs of paper; printed paper for lot, other than toys; washi; adhesive washi; adhesive washi for decoration; adhesive calendar; kraft papers; adhesive kraft papers; adhesive release papers; adhesive papers; stationery; paper stationery; note books; adhesive note paper; note paper, adhesive labels of paper; paper labels for bar codes; adhesive tapes for stationery or household purposes; self-adhesive tapes for stationery or household purposes; removable adhesive tapes for stationery or household purposes; masking tape for stationery or household purposes; gummed tape for stationery or household use; adhesive handicraft tapes for stationery or household purposes; adhesive washi tapes for stationery or household purposes; stickers [stationery]; decorative stickers; removable decorative of washi; adhesive bands for stationery or household purposes; adhesive tape dispensers[office requisites]; writing implements [writing instruments]; mechanical pencils; ball pens; rubber erasers; modelling materials; books; periodicals; paintings and calligraphic works; photograph stands; wet tissues of paper for body; paper wipes for cleaning; tissues of paper for removing make-up; bags [envelopes, pouches] of paper or plastics, for packaging, absorbent sheets of paper or plastic for foodstuff packaging; wrapping paper; printed decorative paper, decorative objects [ornaments] made of paper; peelable adhesive tape for use in decorating walls, ceilings, floors, window-panes, furniture, lighting and electric appliances for household purposes, automobiles and bicycles.), 17(Unprocessed and semi-processed rubber, gutta-percha, gum, asbestos, mica and substitutes for all these materials; and resins in extruded form for use in manufacture; packing, stopping and insulating materials; flexible pipes, tubes and hoses, not of metal; plastic films for use in manufacturing; polarizing plastic films for use in manufacturing flat panel displays; semi-processed plastics; thermally-peelable adhesive sheets for use in manufacturing electronic devices; mica [raw or partly processed]; valves of rubber or vulcanized fiber; gaskets;

junctions for pipes, not of metal; joint packings; floating anti-pollution barriers; plastic film, other than for wrapping for marine pollution control; marine pollution control membranes, in the nature of insulating waterproofing membranes; electrical insulating materials; insulating materials; heat insulation materials; sound proofing materials; insulating covers for industrial machinery; padding materials of rubber or plastics; stuffing of rubber or plastics; electrical insulating tapes; electrical insulating rubber products; insulation sealing materials; insulating varnish; insulating paper; washers of rubber or vulcanized fiber; plastic fiber, not for textile use; plastic fibers, not for use in textiles; rock wool; slag wool; rubber thread and covered rubber yarn, not for textile use; chemical plastic yarn and thread, not for textile use; insulating gloves; rubber cords and laces; industrial packaging containers of rubber; shock-absorbing buffers of plastics; shock-absorbing buffers of rubber; rubber stoppers; rubber lids and caps for industrial packaging containers; plastic sheeting for agricultural purposes; condenser paper; vulcanized fiber; adhesive-coated plastic sheets for use in manufacture; reflective plastic sheets; semi-processed plastics in the form of foams, for filtration; semi-processed plastics in the form of films and membranes, for filtration; porous plastics, semiprocessed, for filtration; plastic film, other than for wrapping; plastic film for protecting objects; semi-processed in the form of sheets; adhesive-coated plastic film and sheet; light-proof plastic film; light-proof plastic film for use on windows; plastic films and plates for use in manufacture of light extraction films and light guide plates; heatshielding plastic film for use on windows; ultra-violet-shielding plastic film; self-adhesive plastic sheets for use with optical instruments; self-adhesive fluorine resin sheet; polymeric porous film; laminated plastics, semi-processed, for filtration; porous plastics, semiprocessed, for use with pressure control valves; breathable plastic sheets, not for wrapping; semi-processed plastics in the form of foams; plastic film for use in the manufacture of dust removal mats; polymeric film for use in the manufacture of electric circuits; semi-processed plastics for use as damping materials; plastic foam filling materials; heat-insulating plastic film and sheet, not for wrapping; surface-coated epoxy resin films; fluorescent self-adhesive gel plastic sheets for use in encapsulation; insulating polyimide resin sheets; polarizing plastic film and sheets; polarizing plastic films for use in manufacturing liquid crystal displays; magnet-embedded plastics in the form of sheets and films, semi-processed; semi-processed plastics in the form of foams and films for use in the manufacture of filter materials; plastic films and sheets, semi-processed, for decoration; plastic films and sheets, semi-processed, for use on walls; insulating plastic laminated boards; flexible plastic conduits, semi-processed, for plumbing purposes; porous membrane resin materials, semi-processed, for filters; plastic substances, semiprocessed; semi-processed plastic films, membranes and sheets; semi-processed plastics for use as dust collecting and filtering materials; films and flat membranes, semiprocessed, for water purification; plastic films and flat membranes, semi-processed, for wastewater and sewage purification; fluoro rubber; rubber for use in manufacture; vibration control rubber, synthetic rubber; soundproofing materials of rock wool, not for building purposes; adhesive tapes, other than stationery and not for medical or household purposes; industrial adhesive tapes; self-adhesive tapes, other than stationery and not for medical or household purposes; removable industrial adhesive tapes;

industrial masking tapes; adhesive bands, other than stationery and not for medical or household purposes; adhesive-coated tapes for hazard marking; self-adhesive tapes for protection of objects; adhesive tapes for heat shielding; adhesive tapes for water proofing; adhesive tapes for dust proofing; adhesive tapes for corrosion proofing; adhesive tapes for repairing; adhesive tapes for wind proofing; adhesive tapes for fixing semiconductor wafer; adhesive tapes for use in the manufacture of electronic devices and semiconductors; fluorine resin adhesive tapes for industrial use; conductive adhesive tapes for industrial use; moistureproofing adhesive tapes for air crafts; antirust adhesive tapes for air crafts; masking tapes for air crafts; fire-proofing adhesive tapes for air crafts; adhesive tapes for binding harness; adhesive tapes for plumbing protection; industrial adhesive tapes for marking; masking tapes for use in painting, for industrial use; masking tapes for automobiles; masking tapes for printing boards; masking tapes for industrial use; polymeric porous adhesive tapes for industrial use; breathable adhesive tapes for industrial use; seals; sealants; filling putty for repairing water leakage; sealant pens for repairing tile joints; pen-type chemical compositions for repairing tile joints; seals for watertight, airtight, soundproofing and thermal insulation for electric home appliances; seals for watertight, airtight, soundproofing and heat insulation for automobiles; sealing materials for repair use, consisting of an epoxy resin and curing agent; fluorine resins, semi-processed; semiprocessed synthetic resins; semi-processed plastics for use in the manufacture of fiber opåcs; plastic fibers, other than for textile use; threads of plastic materials, other than for textile use; thermal insulating materials for footwear; insulating and sealing materials for automobiles and other vehicles; insulating and sealing materials for electric and electronic appliances; insulating and sealing materials for building; insulating and sealing materials for sanitary and water supplying installations; insulating and sealing materials for industrial machinery; plastic films for preventing dew condensation of windows; caulking materials; weatherstripping; weatherstripping compositions; silicone rubber; silicone sealants; plastic sheets for shielding and absorbing electromagnetic wave; rubber for shielding and absorbing electromagnetic wave; foam rubber sealing materials; adhesive sealing materials; adhesive sealing tapes; dust proofing sealants; waterproof sealants; anti-rust sealants; sealing materials for water-, air- or sound-proofing, or thermal insulation, for home electric or electronic appliances; sealing materials for water-, air- or sound-proofing, or thermal insulation, for vehicles; sealing materials for water-, air- or sound-proofing, or thermal insulation, for residential facilities, equipment and installations; sealing materials for water-, air- or sound-proofing, or thermal insulation, for construction or building machines; sealing materials for water-, air- or sound-proofing, or thermal insulation, for building; sealing materials for building; sealing materials for residential buildings; sealants for repairing; optical plastic films for use in manufacturing.), 18(Leather and imitations of leather, animal skins and hides; luggage and carrying bags; umbrellas and parasols; walking sticks; whips, harness and saddlery; collars, leashes and clothing for animals; bags; pouches; bags for sports; tool bags, empty; bags, pouches and cases for first aid kits, sold empty; pouches for holding make-up, keys and other personal items; industrial packaging containers of leather.), 19(Materials, not of metal, for building and construction; rigid pipes, not of metal, for building; asphalt, pitch, tar and bitumen; transportable

buildings, not of metal; monuments, not of metal; building materials, not of metal, for water-, air- or soundproofing, or thermal insulation; building materials, not of metal; building materials with sealing functions, not of metal; asphalt-based roofing mastics [building materials]; bitumen-based sealants for asphalt [building materials]; reinforcing materials, not of metal, for building; curbstones, not of metal; non-luminous and non-mechanical signs, not of metal; signaling panels, non-luminous and non-mechanical, not of metal; stands for nonluminous and non-mechanical signs of plastics; coatings [building materials]; crash barriers, not of metal, for roads; staircases, not of metal; wall tiles, not of metal; wall claddings, not of metal, for building; tiles, not of metal, for building; cladding, not of metal, for building; partitions, not of metal; mosaics for building; luminous paving blocks; roofing, not of metal, incorporating photovoltaic cells; fences, not of metal; paving blocks, not of metal; floors, not of metal; fireproof cement coatings; palings, not of metal; balustrades, not of metal; doors, not of metal; covers for protecting corners of building materials, not of metal; plastic building materials; rubber building materials; plaster for building purposes; plastic landscape edgings; flagpoles [structures], not of metal; scaffolding, not of metal; framework, not of metal, for building; trellises, not of metal; shutters, not of metal; door frames, not of metal; windows, not of metal; window frames, not of metal; buildings, not of metal; road and field marking sheets and strips; road marking sheets and strips of synthetic material; cement; erosion control mats integrating plants seeds; plastic security windows allowing building timber; building stone; building glass; water-pipe valves, not of metal or plastics; road signs, not of metal, non-luminous and non-mechanical; beacons [not of metal, non-luminous]; reservoirs, not of metal or plastics; letter boxes of masonry; joinery fittings, not of metal; outdoor blinds, not of metal or stone lanterns; man-made garden ponds [structures, not of metal]; transportable greenhouses, not of metal, for household use; gravestones and tomb plaques, not of metal; stone sculptures; concrete sculptures; marble sculptures; works of art of stone, concrete or marble.), 20(Furniture, mirrors, picture frames; containers, not of metal, for storage or transport; unworked or semi-worked bone, horn, whalebone or mother-of-pearl; shells; meerschaum; yellow amber; loading pallets, not of metal; valves of plastics, not including machine elements: reservoirs, not of metal nor of masonry; containers for transport, not of metal; curtain fittings; metal-substitute plastic fasteners; nails, wedges, nuts, screws, tacks, bolts, rivets and casters, not of metal; washers, not of metal, not of rubber or vulcanized fiber, locks, non-electric, not of metal; cushions [furniture]; floor cushions [Zabuton]; pillows; mattresses; industrial packaging containers of plastics not including plastic stoppers, lids, covers and bottles; corks, plastics and wooden stoppers for industrial packaging containers; plastic and wooden lid and covers for industrial packaging containers; nameplates and door nameplates, not of metal; hand-held flat fans; hand-held folding fans; hat hooks, not of metal; water tanks for household purposes, not of metal or masonry; hanging boards in the nature of furniture [pegboards using positional hooks]; tool boxes, not of metal; towel dispensers, not of metal; adhesive mirror that can be attached to walls; non-metal hooks; non-metallic clothes and hat hook; fixing instruments, not of metal for furniture; instruments, not of metal for furniture fall preventing; rods and belts, not of metal, for preventing furniture tip-over; shelves

with adhesive tape; crimp shelves and sticks [furniture]; stoppers for furniture drawer; indoor window blinds; blinds of reed, rattan or bamboo; bead curtains for decoration; window shades; wind chimes; pocket mirrors; pocket mirror bags [shaped]; plaster sculptures; plastic sculptures; wooden sculptures; labels of plastic; bathroom stools.), 21(Household or kitchen utensils and containers; cookware and tableware, except forks, knives and spoons; combs and sponges; brushes, except paintbrushes; brush-making materials; articles for cleaning purposes; unworked or semi-worked glass, except building glass; glassware, porcelain and earthenware; cleaning tools and washing utensils; hand operated cleaning tools; mops; cleaning wipers; Materials for cleaning purposes, other than preparation; Adhesive instruments for cleaning purposes; Adhesive cleaning rollers; Adhesive roll tapes for replacement of cleaning rollers; Adhesive refill sheets and tapes for cleaning rollers; Adhesive roller mops; Adhesive roll tapes for replacement of roller mops; Adhesive dust removing rollers; Cleaning rollers using replacement adhesive roll tapes; Replacement adhesive roll tapes specially adapted for dust removing rollers; fireproofing aluminum foil sheet for preventing oil contamination of kitchen walls; towel rails, not of precious metal; deodorising apparatus for personal use; plates for diffusing aromatic oil; abrasive sponges for scrubbing the skin; cosmetic and toilet utensils; cold packs for chilling food and beverages; reusable ice cubes; warming devices containing chemical substances; cooling devices containing chemical substances; cooling devices with cold gel packs, not for medical use; towels with cold gel packs, not for medical use; oil diffusers, other than reed diffusers, electric and non-electric; electric toothbrushes; fitted vanity cases; gardening gloves; wax-polishing appliances, non-electric, for shoes; crystal [glassware]; electric devices for attracting and killing insects; water apparatus for cleaning teeth and gums; polishing materials for making shiny, except preparations, paper and stone; porcelain ware; earthenware; pottery; ceramics for household purposes; heat-insulated containers; cooking utensils, non-electric; tableware, other than knives, forks and spoons; sponges for household purposes; aerosol dispensers, not for medical purposes; cotton waste for cleaning; dental floss; unworked or semiworked glass, except building glass; feeding troughs; poultry rings; tub brushes; metal brushes; brushes for pipes; industrial brushes; ship-scrubbing brushes; gloves for household purposes; industrial packaging containers of glass or porcelain; plastic bottles for packaging; kitchen utensils and containers, not including gas water heaters for household use, non-electric cooking heaters for household purposes, kitchen worktops and kitchen sinks; flat-iron stands; tailors' sprayers; bathroom pails; candle extinguishers; candlesticks; cinder sifters for household purposes; coal scuttles; mouse and rat traps; fly swatters; flower pots; hydroponic plant pots for home gardening; watering cans; bird cages; bird baths; feeding vessels for pets; brushes for pets; clothes brushes; chamber pots; piggy banks; boxes of metal for dispensing paper towels; soap dispensers; tanks [Indoor aquaria] and their fittings; toilet paper holders; upright signboards of glass or ceramic; fire pans for carrying live charcoal; flower vases; flower bowls; upright signboards of glass or ceramics; perfume burners; shoe brushes; shoe horns; shoe shine cloths; shoe shine sponges and cloths; shoe-trees [stretchers]; portable cooking kits for outdoor use; cattle hair for brushes, raccoon dog hair for brushes, pig bristles for brushes and horsehair for brushes.), 24(Textiles and

substitutes for textiles; household linen; curtains of textile or plastic; woven textile goods for personal use; towels of textile; plastic material [substitute for fabrics]; handkerchiefs of textile; bath linen, except clothing; face towels of textile; sheets [textile]; covers for cushions; bed linen; mattress covers; tablemats of textile; place mats of textile; coasters of textile; glass cloths [towels]; fitted toilet lid covers of fabric; furniture coverings of textile; furniture coverings of plastic; tapestry [wall hangings], of textile; bedspreads; fabrics for textile use; adhesive fabric for application by heat; lining fabric for footwear; fabric for footwear; table linen, not of paper; cloths for removing make-up; labels of textile; woven fabrics; knitted fabrics; felt and non-woven textile fabrics; oilcloth; gummed waterproof cloth; vinyl coated cloth; rubberized cloth; filtering materials of textile; mosquito nets; bedsheets; futon quilts; covers for futon quilts; futon ticks [unstuffed futon]; pillowcases [pillow slips]; blankets; table napkins of textile; dish cloths; shower curtains; banners and flags, not of paper, fitted toilet seat covers of textile; seat covers of textile; wall hangings of textile; curtains; table cloths, not of paper, draperies [thick drop curtains]; shrouds; billiard cloth; sleeping bags; towels with cold gel packs, not for medical use, for cosmetic use.), 25(Clothing, footwear, headwear, thermal supporters for clothing [clothing articles]; moisturizing supporters for clothing [clothing articles]; sweat-absorbent underclothing; sweat-absorbent pads for clothing; sweat bands; sun hats; inner soles; nipple pasties being underclothing; garters; sock suspenders; suspenders [braces]; waistbands; belts for clothing; masquerade costumes; boots for sport; clothing for sports; protective metal members for shoes and boots.), 26(Lace, braid and embroidery, and haberdashery ribbons and bows; buttons, hooks and eyes, pins and needles; artificial flowers; hair decorations; false hair; shuttles for making fishing nets; hosiery loom needles; electric hair curlers; needles; metal fittings for bags; eyelets for clothing; clasps for bags; buckles for bags; tapes [haberdashery]; ribbons; haberdashery ribbons; ribbons and bows, not of paper, for gift wrapping; hem tapes [haberdashery]; tapes for fixing hijabs [haberdashery]; tapes for supporting hijabs [haberdashery]; knitted raschel lace fabrics; embroidery lace fabrics; tufts and tassels [semifinished]; passementerie; edgings for clothing; braids; knitting sticks; needle-threaders; sewing boxes; dressmakers' impressing blades; sewing thimbles; pin and needle cushions; boxes for needles; armband for holding sleeves; insignias for wear, not of precious metal; buckles for clothing [clothing buckles]; badges for wear, not of precious metal; brooches for clothing; special sash clips for obi [obi-dome]; bonnet pins, not of precious metal; ornamental adhesive patches for jackets; brassards; heat adhesive patches for repairing textile articles; ornamental novelty badges [buttons]; brooches [clothing accessories]; pins, other than jewellery; hat trimmings; numerals or letters for marking linen; hair ornaments; decorative articles for the hair; ribbons for the hair; hair bands; buttons and the like; collar supports; hijab supports; zip fasteners for bags; zip fasteners; fastenings for braces; beads, other than for making jewelry; fastenings for clothing; belt clasps; false beards; false moustaches; hair curlers, non-electric; fittings for lingerie [haberdashery]; lingerie tapes; hair curling papers; shoe trimmings; shoe eyelets; shoe laces; metal fasteners for shoes and boots; shoe fasteners; human hair; hair curlers, electric and non-electric, other than hand implements; sewing kits; haberdashery [dressmakers' articles], except thread; cords for

clothing; breast lift tapes; shoulder pads for clothing; tapes for curtain headings; arm bands [clothing accessories]; charms, other than for jewellery, key rings or key chains; competitors' numbers.), 27(Carpets, rugs, mats and matting, linoleum and other materials for covering existing floors; wall hangings, not of textile; bath mats for wash places; adhesive mat for dust removal; tatami mats; floor coverings; wall hangings, not of textile; artificial turf; gymnastic mats; wall coverings; wallpapers with adhesive tape; plastic wallpapers; ceiling coverings; artificial ground coverings; wallpaper; peelable wall and floor coverings and wallpaper; peelable wall and floor coverings and wallpaper in the form of sticker, sheet, seal, water repellent sticker, cutting sheet, masking tape, projection screen.), 28(Games, toys and playthings; video game apparatus; gymnastic and sporting articles; decorations for Christmas trees; sports articles; athletic tapes; supporters for athletic use; adhesive tapes for sporting; adhesive tapes for sports articles; racket grip tapes; grip tapes for baseball bats; grip tapes for golf clubs; hand wraps for sports use; men's athletic supporters [sports wrist guards [sports articles]; wrist guards for athletic use.), 29(Meat, fish, poultry and game; meat extracts; preserved, frozen, dried and cooked fruits and vegetables; jellies, jams, compotes; eggs; milk, cheese, butter, yogurt and other milk products; oils and fats for food; sausage casings, natural or artificial.), 32(Beers; non-alcoholic beverages; mineral and aerated waters; fruit beverages and fruit juices; syrups and other preparations for making non-alcoholic beverages; carbonated drinks [refreshing beverages]; vegetable juices [beverages]; extracts of hops for making beer, whey beverages; essences for making beverages.), 35(Advertising; business management; business administration; office functions; advertising, marketing and publicity services; business management analysis; business consultancy; marketing research; marketing analysis; providing information concerning commercial sales; sale promotion for others; personnel management consultancy; updating and maintenance of data in computer database; import-export agency services; commercial information agency services; administration of consumer loyalty programs; retail or wholesale services for hand-operated cleaning tools and materials for cleaning purposes (other than preparation), in particular, mops, cleaning wipers, adhesive instruments for cleaning purposes, adhesive cleaning rollers and adhesive roller mops, and heads and adhesive tapes for replacement of all the aforesaid goods; retail or wholesale services for woven fabrics and beddings; retail or wholesale services for clothing, footwear, bags and pouches, and other personal articles; retail or wholesale services for foods, and alcoholic and non-alcoholic beverages; retail or wholesale services for automobiles, motorcycles and bicycles; retail or wholesale services for furniture, joinery fittings and tatami mats; retail or wholesale services for ritual equipment; retail or wholesale services for electrical machinery and apparatus; retail or wholesale services for bladed or pointed hand tools, hand tools and metal hardware; retail or wholesale services for kitchen, cleaning and washing utensils; retail or wholesale services for pharmaceutical, veterinary and sanitary preparations and medical supplies; retail or wholesale services for cosmetics, toiletries, dentifrices, soaps and detergents; retail or wholesale services for agricultural machines, implements and supplies; retail or wholesale services for flowers [natural] and trees; retail or wholesale services for fuel; retail or wholesale services for printed matter, retail or

wholesale services for paper and stationery; retail or wholesale services for sports goods; retail or wholesale services for toys, dolls, game machines and apparatus; retail or wholesale services for musical instruments and records; retail or wholesale services for photographic machines and apparatus and photographic supplies; retail or wholesale services for clocks, watches and spectacles [eyeglasses and goggles]; retail or wholesale services for tobaccos and smokers' articles; retail or wholesale services for building materials; retail or wholesale services for semi-wrought precious stones and their imitations; retail or wholesale services for pets; retail or wholesale services for tapes and ribbons; retail or wholesale services for porous plastic films and membranes; retail or wholesale services for adhesive-coated transparent plastic films and membranes; retail or wholesale services for industrial adhesive tapes; retail or wholesale services for insulating materials; retail or wholesale services for water purifying apparatus and machines and parts and fittings thereof, in particular, filtration membrane elements and modules, and filter cartridges.), 37(Construction services; Installation and repair services; Mining extraction, oil and gas drilling; building construction; installation, repair and maintenance of cinematographic machines and apparatus; installation, repair and maintenance of optical machines and apparatus; installation, repair and maintenance of photographic machines and apparatus; installation, repair and maintenance of electronic machines and apparatus; installation, repair and maintenance of telecommunication machines and apparatus; installation, repair and maintenance of measuring and testing machines and instruments; installation, repair and maintenance of medical machines and apparatus; installation, repair and maintenance of chemical processing machines and apparatus; installation, repair and maintenance of metalworking machines and tools; installation, repair and maintenance of machines and systems for manufacturing integrated circuits; installation, repair and maintenance of semi-conductor manufacturing machines and systems; installation, repair and maintenance of machines and apparatus for processing food or beverages; installation, repair and maintenance of agricultural machines and implements; installation, repair and maintenance of plastic processing machines and apparatus; installation, repair and maintenance of packing or wrapping machines and apparatus; installation, repair and maintenance of cooking apparatus for industrial purposes; installation, repair and maintenance of industrial dish washing machines; installation, repair and maintenance of water pollution control equipment; installation, repair and maintenance of water purifying apparatus and machines; repair of sports equipment; cleaning of building exterior surfaces; window cleaning; cleaning of carpets and rugs; floor polishing; septic tank cleaning; cleaning of storage tanks; installation, repair and maintenance of adhesive tape dispensing machines; construction consultancy; maintenance of building equipment; plumbing; boiler cleaning and repair; rental of drainage pumps; rental of building equipment; rental of cleaning machines; rental of cleaning and washing equipment.), 39(Transport; packaging and storage of goods; travel arrangement; vehicle rental; rental of warehouses; parking place rental; rental of storage containers; refrigerator rental; rental of freezers; rental of wheelchairs; rental of navigational systems; rental of diving suits; collection of waste and trash.), 40(Treatment of materials; Recycling of waste and trash; air purification and treatment of water; printing; food and drink preservation;

airproofing, waterproofing, anti-rusting and thermal insulation for custom manufacturing or assembling of products and parts thereof; fitting and alignment of sealing materials for custom manufacturing or assembling of products and parts thereof; custom manufacturing and assembling of vehicles and parts thereof; custom manufacturing and assembling of residential facilities, equipment and installations, and parts thereof; custom manufacturing and assembling of building materials, and parts thereof; custom manufacturing and assembling of home electric or electronic appliances and parts thereof; custom manufacturing and assembling of construction or building machines and parts thereof; providing material treatment information; custom construction of machines; custom assembling of materials for others; custom assembly of aircraft; custom manufacturing of aircraft; metal treating; processing of rubber, processing of plastics; processing of plastic films; ceramic processing, paper treating and working; processing of cinematographic films; photographic enlarging; photographic printing; photographic film development; water treating; waste water reprocessing; air purification; air freshening; air deodorising; processing of chemicals; recycling of chemicals; boilermaking; fabric waterproofing, decontamination of hazardous materials; desalination of water; processing of chemical reagents; collection, sorting and disposal of waste and trash; rental of textile machines and apparatus; rental of metal treating machines and tools; rental of machines and apparatus for processing foods or beverages; rental of machines and apparatus for pulp-making, papermaking or paperworking; rental of water purifying apparatus; rental of water filters; rental of waste water treatment apparatus; rental of waste compacting machines and apparatus; rental of waste crushing machines; rental of chemical processing machines and apparatus; rental of glassware manufacturing machines and apparatus; rental of space heating apparatus; rental of air-conditioning apparatus; rental of humidifiers; rental of air purifying apparatus; rental of electricity generators; rental of printing machines and apparatus; rental of boilers; removal of radiation rays; treatment or processing of cloth, clothing or fur, including drying; tailoring or dressmaking; embroidery [embroidering]; woodworking; stone treating; taxidermy; processing of bamboo, tree barks, rattan, vines or other mineral vegetable materials, other than processing of ingredients; food processing; processing of artificial limbs or artificial teeth, including processing of medical materials; bookbinding; nuclear fuel reprocessing; engraving of sealing stamps; photogravure; rental of machines and apparatus for film development, photograph printing, photograph enlargement or photograph finishing; rental of bookbinding machines; rental of machines and apparatus for lumbering, wood-working, or veneering or plywood making; rental of shoe making machines; rental of tobacco processing machines; rental of 3D printers; rental of knitting machines; rental of sewing machines; incineration of waste and trash; destruction of waste and trash; grinding, polishing; surface polishing; custom 3D printing for others; sandblasting services; rental of industrial robots for use in manufacturing; laminating; information and consultancy services relating to all the aforesaid services.), 41(Education; providing of training; entertainment; and cultural activities; conducting cultural activities; entertainment information; recreation information; educational and instruction services relating to arts, crafts, sports or general knowledge; arranging and conducting of conferences; educational and training

services in the field of manufacturing and applications of plastics; educational and training services in the field of water treatment; providing information on donation of human corpses for medical education; arranging of donation of human corpses for medical education; arranging, conducting and organization of seminars; providing electronic publications; services of reference libraries for literature and documentary records; book rental; art exhibitions; exhibition of paintings and pictures; exhibition of literary works such as poetry, novels, plays and essays; publication of books; arranging and planning of movies, shows, plays or musical performances; movie theatre presentations or movie film production and distribution; presentation of live show performances; direction or presentation of plays; presentation of musical performances; production of radio or television programs; organization, arranging and conducting of sports competitions; organization, arranging and conducting of marathon contest; organization, arranging and conducting of tennis; organization of educational, entertainment, sporting and cultural events; providing facilities for movies, shows, plays, music or educational training; booking of seats for shows; rental of sports equipment; rental of records or sound-recorded magnetic tapes; rental of image-recorded magnetic tapes; rental of cameras; rental of optical machines and apparatus.) and 42(Scientific and technological services and research and design related thereto; industrial analysis, industrial research and industrial design services; quality control and authentication services; design and development of computer hardware and software; designing of machines, apparatus, instruments [including their parts] or systems composed of such machines, apparatus and instruments; designing of water treatment equipment; designing of electric wires; designing, other than for advertising purposes; computer software design; computer programming; maintenance of computer software; computer system design; software as a service [SaaS]; platform as a service [PaaS]; cloud computing; electronic data storage; technological advice relating to computers, automobiles and industrial machines; testing, inspection or research of pharmaceuticals, cosmetics or foodstuffs; testing, inspection or research of cells and tissue cultures; research, development, testing and inspection in the field of manufacturing and applications of plastics; research, development, testing and inspection in the field of water treatment; water analysis; water quality control services; monitoring of water quality; underwater exploration; marine, aerial and land surveying; analysis, control and monitoring of air quality; chemical analysis; quality control; styling[industrial design]; testing, calibration and inspection of filters; environmental monitoring services; research and development of new products for others; research on building construction or city planning; testing or research on prevention of pollution; testing or research on electricity; testing or research on civil engineering; environmental analysis and research; material inspection and evaluation by analytical instruments and physical property evaluation; testing, inspection and research services in the fields of agriculture, livestock breeding and fisheries; testing or research on machines, apparatus and instruments; rental of measuring apparatus; rental of computers; providing computer programs on data net-works; rental of laboratory apparatus and instruments; rental of technical drawing instruments; research, development, testing and inspection in

the field of kinesiology) **(526)**: None **(730)**: NITTO DENKO CORPORATION of 1-2, Shimohozumi 1-chome, Ibaraki-shi, Osaka 567-8680, Osaka 567-8680, Japan **(740)**: CFL Advocates of P.O. Box 23555 - 00100, Nairobi, Kenya

(210): 126246 **(220)**: 30/01/2023

(300): None **(511)**: 9(data processing apparatus, computer software applications downloadable, printed circuits, commutators, current rectifiers, cell switches (electricity), programmable logic controllers, control panels (electricity), semi-conductors, uninterruptible power supply apparatus (battery), electric apparatus for commutation, charging stations for electric vehicles, batteries electric, inverters (electricity), supercapacitors for energy storage, photovoltaic cells, modules for photovoltaic power generation, lithium-ion batteries, inverters used in solar power generation, accumulators for photovoltaic power, rechargeable batteries, portable chargers.) **(526)**: None **(730)**: SHENZHEN SOFARSOLAR CO., LTD of 11/F, Gaoxiniqi Science and Technology Building, District 67, Xingdong community, Xinán Street, Baoán District, Shenzhen, China **(740)**: Gichachi & Company Advocates of P.O. Box 79659 - 00200, Nairobi, Kenya

SO FAR

(210): 126300 **(220)**: 02/02/2023

(300): None **(511)**: 30(Tomato paste, tomato sauce spaghetti and macaroni) **(526)**: "BARKA" is an Arabic word meaning "Blessings" **(730)**: BAKHSONS DISTRIBUTORS LTD of P. O. Box 81214 - 80100, Mwabundu Road, Mombasa, Kenya **(740)**: None



(210): 126302 **(220)**: 02/02/2023

(300): None **(511)**: 29(Meat and processed food products including; sardines and jams.), 30(Staple food and staple food products including; rice, sugar, wheat flour, tomato paste, pasta, biscuits, noodles, coffee, tea.), 32(Beers and beverages including beer, juices, water) and 33(Wines and spirits including; whisky, gin, vodka and rum) **(526)**: Registration of this mark shall give no right to the exclusive use of the letter "V" and the numerals "2", "1" each separately and apart from the mark as a whole. **(730)**: WASSUMULLS COMPANY FZC of Amina Ibrahim Building, 1st Floor Office No. 104, United Arab Emirates **(740)**: None



(210): 126319 **(220)**: 03/02/2023

(300): None **(511)**: 5(Pharmaceuticals and Medical Preparations.) **(526)**: None **(730)**: HARLEY'S LIMITED of P.O. Box 42718 - 00100, Nairobi, Kenya **(740)**: None

VESIBEGRON

(210): 126320 **(220)**: 03/02/2023

(300): None **(511)**: 5(Pharmaceuticals and medical preparations.) **(526)**: None **(730)**: HARLEY'S LIMITED DISTRIBUTORS of P. O. Box 42718 - 00100, Nairobi, Kenya **(740)**: None

CILNYEX

(210): 126321 **(220)**: 03/02/2023

(300): None **(511)**: 5(Pharmaceuticals and Medical Preparations) **(526)**: None **(730)**: HARLEY'S LIMITED of P.O. Box 42718 - 00100, Nairobi, Kenya **(740)**: None

NERVEXON

(210): 126347 **(220)**: 06/02/2023

(300): None **(511)**: 32(Beers; mineral and aerated waters and other non-alcoholic drinks; fruit drinks and fruit juices; syrups and other preparations for making beverages.) **(526)**: Registration of this mark shall give no right to the exclusive use of the words "CARBONATED", "SOFT", "DRINK" and the device of "waterdrops" per se each separately and apart from the mark as a whole. **(730)**: DEYLIN ULTIMATE SPRINGS COMPANY LIMITED of P. O. Box 134 - 00100, Nairobi, Kenya **(740)**: None



(210): 126372 (220): 08/02/2023

(300): None (511): 7(Machine coupling and transmission components) (526): Registration of this mark shall give no right to the exclusive use of the word "TECHNOLOGIES" and the devices of the "HUMAN HANDS" and "Map of Africa" each separately and apart from the mark as a whole. The words Bratha/Fasobsellence are coined/invented words with no Language of origin. 'MATU' is a Kikuyu word meaning 'clouds' in English (730): BRATHA MATU TECHNOLOGIES LIMITED of P.O. Box 254726101695 - 10300, Kerugoya, Kenya (740): None



(210): 126395 (220): 09/02/2023

(300): None (511): 5(Pharmaceutical and veterinary preparations; sanitary preparations for medical purposes; dietetic food and substances adapted for medical or veterinary use, food for babies; dietary supplements for humans and animals; plasters, materials for dressings; material for stopping teeth, dental wax; disinfectants; preparations for destroying vermin; fungicides, herbicides.) (526): None (730): PFIZER INC., A company organised and existing under the laws of Delaware of 235 East 42nd Street, New York, 10017-5755, United States of America (740): Kaplan & Stratton Advocates of P. O. Box 40111- 00100, Nairobi, Kenya

BEQVEZ

(210): 126408 (220): 09/02/2023

(300): None (511): 12(Tires) (526): None (730): ALLIANCE TIRE COMPANY LIMITED of 1, Friedlander Street, P.O. Box 48 Hadera, 3850001, Israel (740): Coulson Harney Advocates of P.O. Box 10643-00100, Nairobi, Kenya

ALLIANCE

(210): 126410 (220): 09/02/2023

(300): None (511): 9(Relays, electric; Switches, electric; Circuit breakers; Connections, electric; Light dimmers [regulators], electric; Junction boxes [electricity]; Converters for electric plugs; Distribution boxes [electricity]; electric plugs; electric sockets; Sensors; charging stations for electric vehicles; Materials for electricity mains [wires, cables]; Covers for electric outlets; Inverters [electricity].) (526): None (730): WENZHOU WALTON ELECTRICAL CO., LTD of C607 Section, Binhai Industrial Area, Wenzhou Economic & Technology Development Zone, Zhejiang Province, China (740): Simba & Simba Advocates of P. O. Box 10312 - 00100, Nairobi, Kenya

CAEA

(210): 126446 (220): 10/02/2023

(300): None (511): 9(Optical connectors.) (526): Non None (730): CORNING OPTICAL COMMUNICATIONS LLC of 4200 Corning Place, Charlotte, NC 28216, United States of America (740): Coulson Harney Advocates of P. O. Box 10643 - 00100, Nairobi, Kenya

OPTITAP

(210): 126447 (220): 10/02/2023

(300): None (511): 9(Optical fiber hardware, namely, mechanical splices, splice closures, splice trays, splice protectors, optical fiber connectors, adapters, distribution frames, housings, shelves, mounting brackets, panels, patch panels, wall outlets, pulling grips, jumpers, terminals, terminal covers, patch cords, and pre-connectorized cable assemblies all for use in an optical fiber network; recorded computer programs and recorded software for a mobile device adaptable for augmented reality product visualization; recorded computer programs and software deployable or downloadable on mobile devices for eCommerce, field sales, or product visualization) (526): None (730): CORNING OPTICAL COMMUNICATIONS LLC of 4200 Corning Place, Charlotte, NC 28216, United States of America (740): Coulson Harney Advocates of P. O. Box 10643 - 00100, Nairobi, Kenya

EVOLV

(210): 126506 **(220):** 14/02/2023

(300): None **(511):** 35(Management of health care services provided by others; health care administrative services, namely, administration of healthcare plans; administering networks of providers of health care.), 36(Insurance services, namely, underwriting and administration of medical, health, dental, pharmacy, and vision insurance.) and 44(Healthcare services; managed healthcare services) **(526):** Registration of this trademark shall give no right to the exclusive use of the words "HEALTHCARE" and the letter "I" each separately and apart from the mark as a whole. **(730):** CIGNA INTELLECTUAL PROPERTY, INC a corporation organized and existing under the laws of the State of Delaware of 300 Bellevue Parkway, Wilmington, DE 19809, United States of America **(740):** Kaplan & Stratton Advocates of P.O. Box 40111 - 00100, Nairobi, Kenya

**(210):** 126507 **(220):** 14/02/2023

(300): None **(511):** 5(Pharmaceutical and medicinal preparations and substances; vaccines.) **(526):** None **(730):** PFIZER INC. an entity organized under the laws of Delaware of 235 East 42nd Street New York, New York 10017, United States of America **(740):** Kaplan & Stratton Advocates of P.O. Box 40111 - 00100, Nairobi, Kenya

**(210):** 126513 **(220):** 14/02/2023

(300): None **(511):** 29(Beverages having a milk base; Milk-based beverages containing fruit juice; Milk-based beverages flavored with chocolate; Milk-based beverages containing coffee; Dairy-based beverages containing oats; Milk; Drinks made from dairy products; Flavoured milk; Milk tea, milk predominating; Milk beverages, milk predominating; Flavoured milk beverages; Milk beverages with cocoa; Cocoa flavored milk beverages; Artificial milk based desserts; Milk drinks containing fruits; Oat-based beverages [milk substitute]; Plant-based milk substitutes; Milk shakes; Soya-based beverages used as milk substitutes; Milk ferments for culinary purposes.) **(526):** None **(730):** HELL ENERGY MAGYARORSZAG KFT of 1062 Budapest, Andrassy ut 126, Hungary **(740):** CFL advocates of P. O. Box 23555 - 00100, Nairobi, Kenya

**(210):** 126533 **(220):** 15/02/2023

(300): None **(511):** 30(Maize flour.) **(526):** Registration of this mark shall give no right to the exclusive use of the words "MAIZE" and "MEAL" each separately and apart from the mark as a whole. "LEMAAD" is a coined word with no meaning in English. **(730):** CHARLES MWANGI NJOROGI of P.O. Box 1298 - 00232, Nairobi, Kenya **(740):** None

LEMAAD MAIZE MEAL**(210):** 126535 **(220):** 15/02/2023

(300): None **(511):** 16(Paper, cardboard and goods made from these materials), 24(Textile and textile goods), 25(Clothing, footwear, headgear) and 41(Education, providing of training, entertainment, sport) **(526):** Registration of this mark shall give no right to the exclusive use of the word 'TECH' and the letters 'C' and 'G' each separately and apart from the mark as a whole. **(730):** CAR & GENERAL of P.O. Box 1222-00100, Nairobi, Kenya **(740):** Kabiru & Co. Advocates of P. O. Box 1222 - 00100, Nairobi, Kenya



(210): 126536 **(220):** 15/02/2023

(300): None **(511):** 16(Personal and social services rendered by others to meet the needs of individuals for the protection of property and individuals) **(526):** Registration of this mark shall give no right to the exclusive use of the letters 'C' and 'G' each separately and apart from the mark as a whole. The translation into English of the Kiswahili words 'Na Macho Yaone' is 'Let the Eyes See' **(730):** CAR & GENERAL of P.O. Box 1222-00100, Nairobi, Kenya **(740):** Kabiru & Co. Advocates of P. O. Box 1222 - 00100, Nairobi, Kenya

**(210):** 126537 **(220):** 15/02/2023

(300): None **(511):** 45(Personal and social services rendered by others to meet the needs of individuals for the protection of property and individuals) **(526):** Registration of this mark shall give no right to the exclusive use of the words 'Maji' and 'Uhai' and the letters 'C' and 'G' each separately and apart from the mark as a whole. The translation into English of the Kiswahili words 'Majiuhai' is 'Water Life' **(730):** CAR & GENERAL of P.O. Box 1222-00100, Nairobi, Kenya **(740):** Kabiru & Co. Advocates of P. O. Box 1222 - 00100, Nairobi, Kenya

**(210):** 126541 **(220):** 15/02/2023

(300): None **(511):** 5(Pharmaceuticals.) **(526):** None **(730):** PRUNUS PHARMA LIMITED of P. O. Box 26720 - 00504, Nairobi, Kenya **(740):** None

PYRONART**(210):** 126559 **(220):** 16/02/2023

(300): None **(511):** 30(Maize flour.) **(526):** Registration of this mark shall give no right to the exclusive use of the words "MAIZE", "FLOUR", "UNGA", "TOSHA" and the devices of "maize cobs and wheat leave" each separately and apart from the mark as a whole. The English translations of the word "TOSHA" is "Enough" **(730):** FESTIVEE FLOUR MILLERS LIMITED of P.O. Box 12998 - 00400, Nairobi, Kenya **(740):** None

**(210):** 126562 **(220):** 17/02/2023

(300): None **(511):** 5(Pharmaceuticals.) **(526):** Registration of this mark shall give no right to the exclusive use of the word "EXTRA" and letter 'S' each separately and apart from the mark as a whole. **(730):** SHAJ PHARMA LTD of P.O. Box 1102 - 00600, Nairobi, Kenya **(740):** None

S-DOL EXTRA**(210):** 126563 **(220):** 17/02/2023

(300): None **(511):** 5(Pharmaceuticals.) **(526):** None **(730):** SHAJ PHARMA LTD of P.O. Box 1102 - 00600, Nairobi, Kenya **(740):** None

CELESTASAFE**(210):** 126582 **(220):** 17/02/2023

(300): None **(511):** 9(Downloadable computer software for use with financial services, namely, the management and maintenance of digital currency and electronic wallets, processing of electronic payments, and issuing receipts regarding mobile payment transactions; computer operating programs, recorded; computer programs, downloadable for use with financial services, namely, the management and maintenance of digital currency and electronic wallets, processing of electronic payments, and issuing receipts regarding mobile payment transactions; computer programs, recorded for use with financial services, namely, the management and maintenance of digital currency and electronic wallets, processing of electronic payments, and issuing receipts regarding mobile payment transactions; computer software applications, downloadable for use with financial services, namely, the management and maintenance of digital currency and electronic wallets, processing of electronic payments, and issuing receipts regarding mobile



payment transactions; computer software platforms, recorded or downloadable for use with financial services, namely, the management and maintenance of digital currency and electronic wallets, processing of electronic payments, and issuing receipts regarding mobile payment transactions; computer software, recorded for use with financial services, namely, the management and maintenance of digital currency and electronic wallets, processing of electronic payments, and issuing receipts regarding mobile payment transactions; downloadable software for generating cryptographic keys for receiving and spending cryptocurrency; downloadable computer software for use as an electronic wallet; electronic and magnetic 10 cards for use in connection with payment for services; magnetic encoded cards and cards containing an integrated circuit chip in the nature of smart cards all containing programming used to process payments; cards encoded with security features for authentication purposes; cards encoded with security features for identification purposes; charge cards, bank cards, credit cards, debit cards, chip cards, stored value cards, electronic data carrier cards, payment cards and payment cards all encoded; banking cards, namely, magnetically encoded banking cards and banking cards using magnetic memories and integrated circuit memories; downloadable computer software, namely, electronic financial platform that accommodates multiple types of payment and debit transactions in an integrated mobile phone, PDA, and web based environment; downloadable computer software to enable searching of data; downloadable computer software for the provision of banking services; downloadable credit screening software; downloadable computer application software for mobile phones, portable media players, handheld computers and other mobile devices, namely, software for use with financial services, namely, the management and maintenance of digital currency and electronic wallets, processing of electronic payments, and issuing receipts regarding mobile payment transactions; downloadable computer application software for mobile phones, namely, software for use with financial services, namely, the management and maintenance of digital currency and electronic wallets, processing of electronic payments, and issuing receipts regarding mobile payments transactions; downloadable computer e-commerce software to allow users to perform electronic business transactions via a global computer network; consumer coupons in electronic form downloaded from a global computer network, blockchain technology and the trading of investments, namely, securities, stocks, bonds, commodities, equities and cryptocurrencies; computers; smartphones; smartwatches; Downloadable software for browsing and purchasing consumer goods; Computer software platforms for facilitating online transactions between sellers and buyers of consumer goods and services; Downloadable computer software and mobile application software for use in disseminating advertising for others; downloadable computer software and mobile application software for use in providing retail and ordering services for a wide variety of consumer goods; search engine software; downloadable computer software and mobile application software for use in barcode scanning and price comparison; downloadable computer software and mobile application software for use in sharing information via e-mail, text message, and social media services about products, services, and deals; downloadable computer software and mobile application software for use in accessing online bulletin

boards and for creating and accessing user-posted ratings, reviews and recommendations on products and services for commercial purposes; downloadable computer software and mobile application software for text, image and sound transmission and display; computer software for image and speech recognition; computer software for facilitating payments and online transactions; computer software for use in disseminating advertising for others; Downloadable software for facilitating commercial transactions through electronic means via wireless networks, global computer networks and mobile telecommunication devices; Downloadable software for processing, facilitating, verifying, and authenticating mobile payments and contactless transactions with retailers, merchants, and vendors using a mobile device.), 36(Monetary affairs, namely, monetary exchange operations, digital currency exchange operations; banking services; money transfer services; bill payment services; money order services; cheque cashing services; debt collection services; electronic funds transfer services; transmission of money by electronic means from customers; transfer of payments for consumers; credit card services, namely, credit card authorization services, credit card payment processing services, credit card transaction processing services; processing electronic payments made through prepaid cards; automated teller machine services; debit card services, namely, debit card transaction processing services, debit card authorization services, issuing of debit cards, issuing of prepaid debit cards, issuing stored value cards; direct deposit of funds into customer bank accounts; automated financial clearing house deposit services; currency exchange services; home banking; cheque verification; financial clearing houses; crowdfunding; debt collection agency services; electronic wallet payment services, namely, processing of electronic wallet payments, bill payment services provided via an electronic wallet; electronic transfer of virtual currencies; exchanging money; financial analysis; financial consultancy; financial customs brokerage services; financial evaluations; financial exchange of virtual currency; financial management; financial management of reimbursement payments for others; financial research; providing financial information; providing financial information via a web site; financing services; fiscal valuation; investment of funds; organization of monetary collections, namely, accepting and administering monetary charitable contributions; online banking; processing of credit card payments; processing of debit card payments; providing rebates at participating establishments of others through use of a membership card; Gift card transaction processing services; Financial transaction services, namely, providing secure commercial transactions and payment options using a mobile device at a point of sale; e-commerce services, namely, credit card and payment card services and payment transaction processing services; payment processing services, namely, managing and tracking credit card, debit card, gift card, prepaid card, deferred payment card, and other forms of payment transactions for business purposes; payment processing services, namely, issuing and providing receipts for electronic payments and payment transactions; financial services, namely, enabling transfer of funds for others via electronic communications networks; clearing and reconciling financial transactions via electronic communications networks; financial transactions authorization, authentication and settlement services, cash management services, namely, cash disbursement services and transaction authorization, authentication and settlement

services; remote payment services; electronic payment and information management services; Electronic payment services, namely, enabling electronic processing and transmission of electronic funds transfer and payments via ACH, credit card, debit card, prepaid cards, wireless wallets, mobile wallets, electronic wallets, electronic check and electronic, mobile and online payments; Financial transaction services, namely, providing secure commercial transactions and payment options; Credit card and transaction processing terminal services using near field communication (NFC) technology; electronic financial trading services for others via a global computer network; electronic commodities, cryptocurrencies, and digital assets exchange services; providing financial services in the nature of providing an exchange for commodities and commodities derivatives, crypto currencies, and digital assets; providing online exchange of commodities and commodities derivatives, crypto currencies, and digital assets; providing information via a website in the field of commodities and commodity derivatives, crypto currencies, and digital assets pricing and related financial information; financial services in the nature of assisting others with the completion of financial transactions for commodities and commodity derivatives, crypto currencies, and digital assets; services relating to financial transactions, namely, trading of commodities and commodity derivatives, crypto currencies, and digital assets for others; providing financial brokerage services in the nature of offering, sponsoring, managing and administering commodities, commodity derivatives, crypto currencies, and digital assets and related financial instruments; surety services; issuance of tokens of value; providing rebates at participating establishments of others through use of a membership card; retirement payment services, namely, financial administration of employee retirement plans; providing information in the fields of investment and finance over computer networks and global communication networks) and 42(Design and development of computer hardware and software; computer programming; computer security consultancy; computer software consultancy; computer software design; computer system analysis; computer system design; computer technology consultancy; rental of computer software; conversion of computer programs and data, other than physical conversion; conversion of data or documents from physical to electronic media; data encryption services; data security consultancy; development of computer platforms; duplication of computer programs; electronic data storage; electronic monitoring of credit card activity to detect fraud via the internet; electronic monitoring of personally identifying information to detect identity theft via the internet; information technology (IT) consultancy; providing information relating to computer technology and programming via a web site; installation of computer software; internet security consultancy; maintenance of computer software; monitoring of computer systems for detecting unauthorized access or data breach; monitoring of computer systems to detect breakdowns; platform as a service (PAAS) featuring computer software platforms for processing of payments and for processing of money transfers; software as a service (SAAS) services featuring software for processing of payments and for processing of money transfers; updating of computer software; user authentication services using single sign-on technology for online software applications; user authentication services using technology for e-commerce transactions; hosted software solution for use in compliance,

namely, hosting software for use by others for use in verifying compliance with comparative billing reports (CBR); providing temporary use of online non-downloadable software for processing electronic payments; providing temporary use of online non-downloadable software for issuing receipts regarding mobile payment transactions; Providing online non-downloadable computer software for online banking and cash management; Electronic data storage; providing temporary use of non-downloadable computer software for creating and providing user access to searchable databases of information and data; providing temporary use of non-downloadable search engine software; providing temporary use of non-downloadable computer software for wireless content delivery; providing temporary use of non-downloadable computer software for accessing online information; providing temporary use of non-downloadable computer software for facilitating payments and online transactions; providing temporary use of non-downloadable computer software that provides retail and ordering services for a wide variety of consumer goods; providing temporary use of non-downloadable computer software for use in disseminating advertising for others; providing temporary use of non-downloadable computer software for disseminating information regarding consumer product discounts; providing temporary use of non-downloadable computer software for use in sharing information about products, services, and deals; providing temporary use of non-downloadable computer software for use in barcode scanning and price comparison; providing temporary use of non-downloadable computer software for electronic storage of data; providing temporary use of non-downloadable computer software for storing, organizing, editing and sharing photos; providing temporary use of non-downloadable computer software for image and speech recognition device.) (526): None (730): WESTERN UNION, HOLDINGS, INC., a Georgia corporation of 7001 East Belleview Avenue, Denver, Colorado, 80237, United States of America (740): Coulson Harney Advocates of P.O. Box 10643 - 00100, Nairobi, Kenya

(210): 126585 (220): 20/02/2023

(300): None (511): 29(Cooking oil.) (526): Registration of this mark shall give no right to the exclusive use of the words "PURE", "VEGETABLE", "COOKING OIL" and the device of a "drop" each separately and apart from the mark as a whole. (730): ACEE LTD of P.O. Box 39561 - 00623, Nairobi, Kenya (740): None



(210): 126590 (220): 20/02/2023

(300): None (511): 41(Betting.) (526): Registration of this mark shall give no right to the exclusive use of the word "BET" separately and apart from the mark as a whole. (730): SANAT LIMITED of P.O. Box 1780 - 00100, Nairobi, Kenya (740): None

BETMAX

(210): 126591 (220): 20/02/2023

(300): None (511): 5(Pharmaceuticals, medical and veterinary preparations; sanitary preparations for medical purposes; dietetic food and substances adapted for medical or veterinary use, food for babies; dietary supplements for human beings and animals; plasters, materials for dressings; material for stopping teeth, dental wax; disinfectants; preparations for destroying vermin; fungicides, herbicides.) and 10(Surgical, medical, dental and veterinary apparatus and instruments; artificial limbs, eyes and teeth; orthopaedic articles; suture materials; therapeutic and assistive devices adapted for persons with

Lenkens

disabilities; massage apparatus; apparatus, devices and articles for nursing infants; sexual activity apparatus, devices and articles.) **(526)**: None **(730)**: LENKENS SOLUTIONS LIMITED of P.O. Box 67845 - 00200, Nairobi, Kenya **(740)**: Robson Harris Advocates LLP of P.O. Box 67845 - 00200, Nairobi, Kenya

(210): 126595 **(220)**: 20/02/2023

(300): None **(511)**: 16(Stationery, letterheads, printed materials.) and 36(Reinsurance.) **(526)**: Registration of this mark shall give no right to the exclusive use of the letters "A", "E" and "R" each separately and apart from the mark as a whole.

(730): EAST AFRICA REINSURANCE COMPANY LIMITED of P.O. Box 20196 - 00200, Nairobi, Kenya **(740)**: None



(210): 126601 **(220)**: 20/02/2023

(300): None **(511)**: 41(Betting) **(526)**: Registration of this mark shall give no right the exclusive use of the words "BANTU" and "BET" each separately and apart from the mark as a whole. 'BANTU' is 'a group of languages of Africa' **(730)**: IGLMS LIMITED of P.O. Box 44145 - 00100, Nairobi, Kenya, Kenya **(740)**: None



(210): 126615 **(220)**: 21/02/2023

(300): None **(511)**: 1(Chemicals used in agriculture, namely plant growth stimulants; plant nutrition preparations; microorganisms or spores for plant protection; plant growth regulators, including biostimulants, pheromones and chemicals for use in agriculture, horticulture and forestry, fertilizers.)

(526): None **(730)**: CORTEVA AGRISCIENCE LLC of 9330 Zionsville Road, Indianapolis, Indiana 46268, United States of America **(740)**: Coulson Harney Advocates of P.O. Box 10643 - 00100, Nairobi, Kenya

RASIEN

(210): 126616 **(220)**: 21/02/2023

(300): None **(511)**: 11(Apparatus and installations for lighting, heating, cooling, steam generating, cooking, drying, ventilating, water supply and sanitary purposes.), 35(Advertising; business management, organization and administration; office functions.) and 42(Scientific and technological services and research and design relating thereto; industrial analysis, industrial research and industrial design services; quality control and authentication services; design and development of computer hardware and software.) **(526)**: Registration of this mark shall give no right the exclusive use of the word "Yellow" separately and apart from the mark as a whole. **(730)**: YELLOW DOT ENERGY COMPANY LTD of Road 1 off Baba Dogo Road Ruaraka, P.O. Box 18525 - 00500, Nairobi, Kenya **(740)**: Coulson Harney Advocates of P.O. Box 10643 - 00100, Nairobi, Kenya

Yellow Dot

(210): 126632 **(220)**: 22/02/2023

(300): None **(511)**: 16(Paper, cardboard and goods made from these materials; printed matter; stationery: office requisites: plastic materials for packaging) **(526)**: 'Toto' is a noun for a young one. **(730)**: BRAND APEEL LTD of P.O Box 7082 - 00100, Nairobi, Kenya **(740)**: None



(210): 126644 (220): 23/02/2023

(300): None (511): 11(Water supply installations; sanitary apparatus and installations; lavatories; toilets; baths; bath installations; bidets; showers; wash-hand bowls (parts of sanitary installations); basins; taps (faucets); mixer taps for water pipes; sinks; lighting apparatus and installations.) and 35(Charitable programs, promoting public interest and awareness, and creating products all in the fields of water, energy, sanitation, conservation and environmental sustainability.) (526): None (730): KOHLER Co. of 444 Highland Drive, Kohler, Wisconsin, United States of America (740): J K Muchae & Company Advocates of P.O. Box 60664 - 00200, Nairobi, Kenya

INNOVATION FOR GOOD

(210): 126658 (220): 24/02/2023

(300): None (511): 9(Automotive batteries.) (526): Registration of this mark shall give no right to the exclusive use of the words "GREEN", "BATT" and the device of "power symbol" each separately and apart from the mark as a whole. (730): GREENAPPLE AUTOMOTIVE SOLUTIONS LTD of P.O. Box 22652 - 00400, Nairobi, Kenya (740): None



(210): 126678 (220): 27/02/2023

(300): None (511): 6(Profiling of iron sheets.) (526): None (730): EAGLE 1 CONCRETE & MACHINERIES LTD of P.O. Box 43449 - 00100, Nairobi, Kenya (740): None

EAGLE ALUZINC

(210): 126679 (220): 27/02/2023

(300): None (511): 6(Profiling of Iron sheets.) (526): Registration of this mark shall give no right to the exclusive use of the word "CURVE" separately and apart from the mark as a whole. (730): EAGLE 1 CONCRETE & MACHINERIES LTD of P.O. Box 43449 - 00100, Nairobi, Kenya (740): None

EAGLE CURVE

(210): 126688 (220): 27/02/2023

(300): None (511): 30(Chocolate; chocolate with nuts; nut bar; instant chocolate mix; chocolate mousse; lollypop; candy; fruit jelly (confectionery); gummy candy; jelly sweet; pastille; chewing gum; cakes; petit fours [cakes]; pancakes; waffle; cake dough cake powder; cookies; biscuit; crackers; wafer; coffee; tea; cocoa; sugar; artificial coffee; flour and preparations made from cereals; bread; pastry and confectionery; honey; yeast; baking-powder; salt; mustard; vinegar; sauces (condiments); spices; saffron; cereals preparations; processed cereals; chocolate-based beverages; cocoa-based beverages; coffee-based beverages; mouth freshening pill (not for medical purposes); cocoa products) (526): None (730): AVIN CHIMI PLAST CO. of No.68, Soltani st., Nelson Mandela Blvd., Tehran., Iran Islamic Republic of South Africa (740): Talal Abu-Ghazaleh Intellectual Property of P. O. Box 20140 - 00100, Nairobi, Kenya

Ferino

(210): 126709 (220): 28/02/2023

(300): None (511): 32(Beers; mineral and aerated waters and other non-alcoholic beverages; fruit beverages and fruit juices; syrups and other preparations for making beverages) (526): Registration of this mark shall give no right to the exclusive use of the words 'Botanics', 'Africa', 'Limited', the 'map of Africa' and the device of a 'ring' each separately and apart from the mark as a whole. (730): IMPACT BOTANICS AFRICA LIMITED of P.O. Box 13526 - 00100, Utawala, Nairobi, Kenya (740): Fred Otswong'o & IP Associates of P. O. Box 54708 - 00200, Nairobi, Kenya



(210): 126717 **(220):** 28/02/2023
(300): None **(511):** 1(Chemicals used in industry, Science and Photography), 3(Bleaching preparations and other substances for laundry use; Cosmetics), 5(Pharmaceutical and Veterinary preparations), 9(Scientific, nautical, surveying , photographic, apparatus and instruments), 10(Surgical, Medical, dental, and veterinary apparatus), 14(Precious metals & their alloys & goods in precious metals or coated therewith, not included in other classes; jewellery, horological & chronometric instruments), 17(Rubber, gutta-percha, gum, asbestos, mica and goods made from these materials), 41(Education, providing of training; entertainment; sporting & cultural activities) and 44(Medical services; veterinary services; hygienic and beauty care for human beings or animals; agriculture, horticulture & forestry services) **(526):** Registration of this mark shall give no right to the exclusive use of the word 'LIMITED' separately and apart from the mark as a whole. **(730):** HARLEY'S LIMITED of P. O. Box 42718 - 00100, Nairobi, Kenya **(740):** None



(210): 126743 **(220):** 02/03/2023
(300): None **(511):** 33(Whisky liqueurs; alcoholic beverages made from or containing whisky; all the aforesaid complying with the specifications of the PGI Scotch whisky.) **(526):** None **(730):** THE MACALLAN DISTILLERS LIMITED of Macallan Distillery, Craigellachie, Banffshire AB38 9RX, United Kingdom **(740):** CFL Advocates of P.O. Box 23555 - 00100, Nairobi, Kenya

TIME:SPACE

(210): 126751 **(220):** 02/03/2023
(300): None **(511):** 9(Automotive batteries) **(526):** None **(730):** GREENAPPLE AUTOMOTIVE SOLUTION LTD of P. O. Box 22652 - 00400, Nairobi, Kenya **(740):** None



(210): 126762 **(220):** 03/03/2023
(300): None **(511):** 30(Maize meal) **(526):** Registration of this mark shall give no right to the exclusive use of the words 'YATTA', 'MAIZE' and 'MEAL' each separately and apart from the mark as a whole. **(730):** BRIDGIT MUMBUA MWOLOLO of P.O. Box 52-0217, Limuru, Kenya **(740):** None



(210): 126767 **(220):** 03/03/2023
(300): None **(511):** 30(Coffee, tea, cocoa and substitutes therefor; rice, pasta and noodles; tapioca and sago; flour and preparations made from cereals; bread, pastries and confectionery; chocolate; ice cream, sorbets and other edible ices; sugar, honey, treacle; yeast, baking-powder; salt, seasonings, spices, preserved herbs; vinegar, sauces and other condiments; ice (frozen water)) and 41(Education; providing of training; entertainment; spotting and cultural activities.) **(526):** None **(730):** CAKES AND CAKES LTD of P. O. Box 14071-00100, Nairobi, Kenya **(740):** None

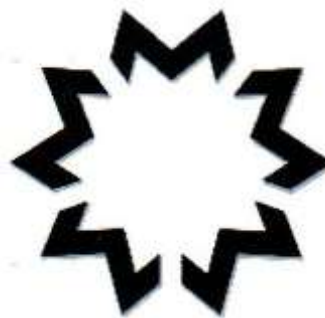


(210): 126768 **(220):** 03/03/2023
(300): None **(511):** 30(Coffee, tea, cocoa and substitutes therefor; rice, pasta and noodles; tapioca and sago; flour and preparations made from cereals; bread, pastries and confectionery; chocolate; ice cream, sorbets and other edible ices; sugar, honey, treacle; yeast, baking-powder; salt, seasonings, spices, preserved herbs; vinegar, sauces and other condiments; ice (frozen water) and 41(Education; providing of training; entertainment; spotting and cultural activities.) **(526):** Registration of this mark shall give no right to the exclusive use of the word 'Cakes' separately and apart from the mark as a whole. **(730):** CAKES AND CAKES LTD of P. O. Box 14071-00100, Nairobi, Kenya **(740):** None



(210): 126788 **(220):** 06/03/2023

(300): None **(511):** 9(Computer databases; computer programs; computer and application software; software downloadable from an electronic facility, network or the internet; mobile applications for cell phones, tablets and other electronic devices; hardware, devices and software facilitating payments, money transfers, value exchanges, loans and insurance payments; cash registers; interactive computer systems; data processing equipment; electronic terminals, including prepaid vending terminals, cash collection terminals, point of sale terminals and interactive or mobile communication terminals; electronic token issuing devices; calculating machines; blank and pre-recorded magnetic cards; cards containing microprocessors; electronic identification cards; telephone cards; credit cards; debit cards; smart cards; encoded cards, including encoded prepaid payment cards; magnetic, digital and optical data recording and storage media (blank and pre-recorded); electronic publications (downloadable), 35(Business management and administration; office functions; retail and wholesale services offered through the internet, an electronic, online or mobile platform; electronic commerce; online trading services, including the operation of online marketplaces for sellers and buyers of products; advertising services of all kinds, including online, digital and mobile advertising and advertising services offered via the internet or to online communities; the provision of online advertising space and the production of advertisements; operation of virtual community platforms; business information services; market research, polling, analysis, tracking and reporting on advertising response; data processing, analysis and storage; compilation and management of directories and databases; organisation, operation and supervision of competitions, loyalty and incentive schemes, bonus and rewards programmes; consulting and advisory relating to the aforementioned.), 36(Financial services; money transfer services, money transfer payment services, electronic funds transfer services, purchase of products and services offered by others, bill payment services, electronic payment processing services, money order services; cash management services; pavement services; credit services; monetary affairs; foreign exchange.) and 42(Providing temporary use of online non-downloadable software for processing and facilitating electronic payments, money transfers and value exchanges; providing temporary use of online non-downloadable software for authenticating and controlling access to and communications with computers and computer networks) **(526):** None **(730):** REMITIX LIMITED of 12 Old Mills Industrial Estate, Paulton, Bristol, BS39 7SU, England **(740):** CFL Advocates of P.O. Box 23555 - 00100, Nairobi, Kenya

**(210):** 126789 **(220):** 06/03/2023

(300): None **(511):** 25(Clothing, footwear, headgear) **(526):** None **(730):** JULIUS KABARAGE JUMA of P. O. Box 10285-00100, Kenya **(740):** None

**(210):** 126790 **(220):** 06/03/2023

(300): None **(511):** 32(Mineral, aerated still & spring water) **(526):** Registration of this mark shall give no right to the exclusive use of the word 'MAJI' separately and apart from the mark as a whole. The translation into English of the Kiswahili word 'MAJI' is 'Water', 'AMARE' is a coined word **(730):** VULVENI SPRING SERVICES of P. O. Box 3656-00506, Jamhuri Estate, Kibera Road, Nairobi, Kenya **(740):** None



(210): 126791 **(220):** 06/03/2023
(300): None **(511):** 14(Clock hands; wristwatches; watch bands; clocks and watches, electric watches; watch glasses; alarm clocks; watch springs; movements for clocks and watches; watch cases [parts of watches]; stopwatches; chronometers; watch chains; chronometric instruments; chronoscopes; clock cases; watch hands; chronographs [watches]; anchors [clock-and watchmaking]; presentation boxes for watches) **(526):** None **(730):** SHENZHEN DINGTAO TRADING CO., LTD of Room 508, Building 2, Tianxin Industrial Zone, Guxing Community, Xixiang Street, Baoan District, Shenzhen, China **(740):** Talal Abu-Ghazaleh Intellectual Property of P.O. Box 20140 - 00100, Nairobi, Kenya

LILUOKE

(210): 126830 **(220):** 08/03/2023
(300): None **(511):** 5(Disinfectant used for farm protection against spread of contagious animal diseases) **(526):** None **(730):** ZAGRO SINGAPORE PTE LTD of Zagro Global Hub, 5 Woodlands Terrace, Singapore, 738430, Singapore **(740):** Coulson Harney Advocates of P.O. Box 10643 - 00100, Nairobi, Kenya

ULTRAXIDE

(210): 126840 **(220):** 09/03/2023
(300): None **(511):** 5(Pesticide) **(526):** Registration of this mark shall give no right to the exclusive use of the letters "A", "L", "T", "D" and the words "AFRICA" and "CLEAN" each separately and apart from the mark as a whole **(730):** AGRICHEM AFRICA LTD of P.O Box 27151 - 00100, Nairobi, Kenya **(740):** None



(210): 126842 **(220):** 09/03/2023
(300): None **(511):** 5(pesticide) **(526):** Registration of this mark shall give no right to the exclusive use of the letters "A", "L", "D" and the word "AFRICA" each separately and apart from the mark as a whole **(730):** AGRICHEM AFRICA LTD of P.O Box 27151 - 00100, Nairobi, Kenya **(740):** None



(210): 126843 **(220):** 09/03/2023
(300): None **(511):** 34(Cigarettes; tobacco, raw or manufactured; tobacco products; tobacco substitutes (not for medical purposes); cigars; cigarillos; lighters for smokers; matches; smokers' articles; cigarette paper; cigarette tubes; cigarette filters; pocket apparatus for rolling cigarettes; hand held machines for injecting tobacco into paper tubes; electronic cigarettes; cartridges for electronic cigarettes; liquids for electronic cigarettes; tobacco products for the purpose of being heated; devices and parts for devices for heating tobacco; tobacco substitutes for the purpose of inhalation; cigarettes containing tobacco substitutes; cigarette cases; cigarette boxes; snus with tobacco; snuff with tobacco; snus without tobacco; snuff without tobacco; tobacco free oral nicotine pouches (not for medical use) **(526):** None **(730):** BRITISH AMERICAN TOBACCO (BRANDS) LIMITED, Limited Liability Company, England and Wales of Globe House, 4 Temple Place, London WC2R 2PG London WC2R 2PG, United Kingdom **(740):** Iseme, Kamau & Maema Advocates of P.O. Box 11866 - 00400, Nairobi, Kenya

VELO

(210): 126848 **(220):** 09/03/2023

(300): None **(511):** 9(Scientific, research, navigation, surveying, photographic, cinematographic, audiovisual, optical, weighing, measuring, signalling, detecting, testing, inspecting, life-saving and teaching apparatus and instruments; apparatus and instruments for conducting, switching, transforming, accumulating, regulating or controlling the distribution or use of electricity; apparatus and instruments for recording, transmitting, reproducing or processing sound, images or data; recorded and downloadable media, computer software, blank digital or analogue recording and storage media; mechanisms for coin-operated apparatus; cash registers, calculating devices; computers and computer peripheral devices; diving suits, divers' masks, ear plugs for divers, nose clips for divers and swimmers, gloves for divers, breathing apparatus for underwater swimming; fire-extinguishing apparatus; mobile applications for booking bus tickets; mobile applications for booking shipment of goods; mobile apps) **(526):** None **(730):** AFRIKONEKTA MOBILITY OY, A Company incorporated in terms of the laws of Finland of Lapinlahdenkatu 23 A 00180 Helsinki Finland, Finland **(740):** Coulson Harney Advocates of P.O. Box 10643 - 00100, Nairobi, Kenya

AFRIKONEKTA

(210): 126849 **(220):** 09/03/2023

(300): None **(511):** 7(Electricity generators; Current generators; Internal combustion engines for power generation, other than for land vehicles; electric power generators using waste heat; agricultural machine, namely, combine harvesters, rice transplanting machines, reapers and binders, mobile thresher, rice hullers, power tillers, bush cutters, vegetable transplanter; lawnmower; engines, other than for land vehicles, such as, engines for boats, aeroplane engines; internal combustion engines not for land vehicles; power source unit for driving machines, other than land vehicles; portable generator, powered by engine; portable lighting apparatus, powered by engine; construction machines and apparatus, namely, excavators, wheel loaders, backhoes, concrete construction machines, power shovels, bulldozers; loading- unloading machines and apparatus, namely, front end loaders; crawler-tracked loaders; rubber tracks being parts of crawlers on construction machines; snow plows; mobile submergible cleaning machines for cleaning fish farming nets; parts and fittings for the above-mentioned machines or apparatus.) **(526):** None **(730):** YANMAR HOLDINGS, CO., LTD. incorporated in Japan of 1-32 Chayamachi, Kita-ku, Osaka, Japan **(740):** Coulson Harney Advocates of P.O. Box 10643 - 00100, Nairobi, Kenya

YANMAR

(210): 126859 **(220):** 10/03/2023

(300): None **(511):** 34(Tobacco; Chewing tobacco; Cigars; Cigarettes; Snuff; Tobacco pouches; Cigarette tips; Tobacco pipes; Ashtrays for smokers; Matches; Lighters for smokers; Cigarette paper; Cigarette filters; liquid solutions for use in electronic cigarettes; Electronic cigarettes.) **(526):** None **(730):** SHANGHAI TOBACCO GROUP CO., LTD., limited company China of 717 Chang Yang Road, Yangpu District 200082 Shanghai, China **(740):** Kaplan & Stratton Advocates of P. O. Box 40111 - 00100, Nairobi, Kenya



(210): 126866 **(220):** 10/03/2023

(300): None **(511):** 16(Paper, cardboard and goods made from these materials, not included in other classes; printed matter; bookbinding material; photographs; stationery; adhesives for stationery or household purposes; artists' materials; paint brushes; typewriters and office requisites (except furniture); instructional and teaching material (except apparatus); plastic materials for packaging (not included in other classes); printers' type; printing blocks), 35(Advertising; business management; business administration; office functions), 36(Insurance; financial affairs; monetary affairs; real estate affairs; hire or lease of property, purchase of property; services of real property administration, services of letting or valuation of property, services for lending and financing.) and 37(Building construction; repair; installation services; services for maintenance of buildings.) **(526):** Registration of this mark shall give right to the exclusive use of the words "TOWN" and "MALLS" each separately and apart from the mark as a whole. **(730):** AMS PROPERTIES LTD of 6th Floor, Block1, Eden Squares, Westlands Road, of P.O. Box 10713 - 00100, Nairobi, Kenya **(740):** Hamilton Harrison & Mathews Advocates of P. O. Box 30333 - 00100, Nairobi, Kenya



(210): 126866 **(220):** 10/03/2023

(300): None **(511):** 16(Paper, cardboard and goods made from these materials, not included in other classes; printed matter; bookbinding material; photographs; stationery; adhesives for stationery or household purposes; artists' materials; paint brushes; typewriters and office requisites (except furniture); instructional and teaching material (except apparatus); plastic materials for packaging (not included in other classes); printers' type; printing blocks), 35(Advertising; business management; business administration; office functions), 36(Insurance; financial affairs; monetary affairs; real estate affairs; hire or lease of property, purchase of property; services of real property administration, services of letting or valuation of property, services for lending and financing.) and 37(Building construction; repair; installation services; services for maintenance of buildings.) **(526):** Registration of this mark shall give right to the exclusive use of the words "TOWN" and "MALLS" each separately and apart from the mark as a whole. **(730):** AMS PROPERTIES LTD of 6th Floor, Block1, Eden Squares, Westlands Road, of P.O. Box 10713 - 00100, Nairobi, Kenya **(740):** Hamilton Harrison & Mathews Advocates of P. O. Box 30333 - 00100, Nairobi, Kenya



(210): 126867 **(220):** 10/03/2023


(300): None **(511):** 7(Machinery) Machines and machine tools; motors and engines (except for land vehicles); Generators, Pressure Washer, Engines for water pumps; water pumps; Centrifugal & Booster Pump, machine coupling and transmission components (except for land vehicles); pumps; agricultural implements other than hand-operated; incubators for eggs) **(526):** Registration of this mark shall give no right to the exclusive use of the word "SWEDEN" separately and apart from the mark as a whole. **(730):** POWER ACE (K) LIMITED of P.O. Box 1013 - 00606, Nairobi, Kenya **(740):** None

OCTANE SWEDEN

(210): 126872 **(220):** 10/03/2023

(300): None **(511):** 25(Clothing, footwear, and headwear for human beings.) **(526):** Registration of this mark shall give no right to the exclusive use of the words "FASHION", "LINE" and the letter "A" per se each separately and apart from the mark as a whole. **(730):** ANNE'S FASHION LINE of P.O. Box 12777 - 00100, Nairobi, Kenya **(740):** None



<p>(210): 126873 (220): 10/03/2023 (300): None (511): 36(Financial, monetary and banking services; Insurance services; Real estates affairs.) (526): Registration of this mark shall give no right to the exclusive use of the words "JAZA", "STOCK" and the letters "I" and "M" each separately and apart from the mark as a whole. "JAZA" is a Swahili word meaning "Fill" in English. (730): I & M BANK LIMITED of P.O. Box 30238 - 00100, Nairobi, Kenya (740): None</p>	I&M JAZA STOCK
<p>(210): 126874 (220): 10/03/2023 (300): None (511): 36(Financial, monetary and banking services; Insurance services; Real estates affairs.) (526): Registration of this mark shall give no right to the exclusive use of the words "JAZA", "STOCK" and the letters "I" and "M" each separately and apart from the mark as a whole. "JAZA" is a Swahili word meaning "Fill" in English. (730): I&M BANK LIMITED of P.O. Box 30238 - 00100, Nairobi, Kenya (740): None</p>	JAZA STOCK NA I&M
<p>(210): 126879 (220): 13/03/2023 (300): None (511): 35(Advertising; business management, organization and administration; office functions.) and 41(Education; providing of training; entertainment; sporting and cultural activities.) (526): Registration of this mark shall give no right to the exclusive use of the words "BAKEE", "MTAANI" and the device of a "basketball" each separately and apart from the mark as a whole. The mark is proceeding in series. "BAKEE MTAANI" is a slang word which mean "basketball in the hood" (730): JONATHAN JACKSON FOUNDATION of P.O. Box 12341 - 00100, Nairobi, Kenya (740): None</p>	
<p>(210): 126892 (220): 13/03/2023 (300): None (511): 30(Tea) (526): Registration of this mark shall give no right to the exclusive use of the words "Kenyan", "Quality", "Tea", "Chai" and the device of "Tea Leaves" and "Cup of Tea" each separately and apart from the mark as a whole. (730): CHIPPENDALES(K) LTD of P.O. Box 78332 - 00507, Nairobi, Kenya (740): None</p>	
<p>(210): 126893 (220): 14/03/2023 (300): None (511): 30(Spaghetti, rice.) (526): None (730): REMINGTON AGENCY LIMITED of P.O. BOX 81642 - 80100, MOMBASA, Kenya (740): None</p>	
<p>(210): 126896 (220): 14/03/2023 (300): None (511): 1(Foliar fertilizer.) (526): None (730): SHANZI FARM TOOLS SUPPLIES LIMITED of P.O. Box 45 - 00209, Nairobi, Kenya (740): None</p>	GREENMAX
<p>(210): 126897 (220): 14/03/2023 (300): None (511): 41(Education; providing of training; entertainment; sporting and cultural activities) (526): Registration of this mark shall give no right to the exclusive use of the letters "H", "R", "C", "E" and "O" each separately and apart from the mark as a whole. (730): COLLEGE OF HUMAN RESOURCES MANAGEMENT (CHRM) of P.O. Box 4322 - 00200, Nairobi, Kenya (740): None</p>	HR TO CEO
<p>(210): 126906 (220): 14/03/2023 (300): None (511): 5(Pharmaceuticals preparations for the treatment of cardiovascular diseases and disorders) (526): None (730): WYETH HOLDINGS LLC of 66 Hudson Boulevard East, New York, NY 10001-2192, United States of America (740): Kaplan & Stratton Advocates of P.O. Box 40111 - 00100, Nairobi, Kenya</p>	ZIAK
<p>(210): 126910 (220): 14/03/2023 (300): None (511): 5(Preparation for destroying vermin, herbicides and fungicides) (526): None (730): SINERIA KENYA LIMITED of P.O. Box 79777 - 00200, Nairobi, Kenya (740): None</p>	INTROSOL

(210): 126911 **(220):** 14/03/2023**NUTRI-BOR****(300):** None **(511):** 5(Preparations for destroying vermin, herbicides and fungicides) **(526):** None **(730):** SINERIA KENYA LIMITED of P.O. Box 79777 - 00200, Nairobi, Kenya **(740):** None**(210):** 126912 **(220):** 14/03/2023**NUTRI-BZM****(300):** None **(511):** 5(Preparations for destroying vermin, herbicides and fungicides) **(526):** Registration of this mark shall give no right the exclusive use of the letters "B", "z" and "M" each separately and apart from the mark as a whole. **(730):** SINERIA KENYA LIMITED of P.O. Box 79777 - 00200, Nairobi, Kenya **(740):** None**(210):** 126913 **(220):** 14/03/2023**NUTRI-ZINC****(300):** None **(511):** 5(Preparations for destroying vermin, herbicides and fungicides) **(526):** Registration of this mark shall give no right the exclusive use of the word "ZINC" separately and apart from the mark as a whole. **(730):** SINERIA KENYA LIMITED of P.O. Box 79777 - 00200, Nairobi, Kenya **(740):** None**(210):** 126914 **(220):** 14/03/2023**SKYTEL****(300):** None **(511):** 9(Phones & Accessories) **(526):** None **(730):** LITEL TELECOMMUNICATION COMPANY LTD of P.O. Box 45689 - 00100, Nairobi, Kenya **(740):** None**(210):** 126918 **(220):** 14/03/2023**(300):** None **(511):** 11(Apparatus for water supply and sanitary purposes; toilets; self-contained and sealed dry toilet apparatus and systems, all related goods in class 11), 35(Retail, wholesale, selling, marketing, promotion, merchandising, distribution management; advertising; import and export services; business management; business administration; office functions; franchising; information, advisory and consultancy services relating to the foregoing) and 37(Construction services; installation, cleaning, repair, maintenance and refurbishment services, including those in relation to sanitary and plumbing installations, bathrooms and toilets; advisory, consultancy and information services relating to the foregoing) **(526):** None **(730):** ENVIRO OPTIONS SHARED SERVICES LIMITED a south African company of 27 Pillans Street, Chamdor, Krugersdrop, 1754, Gauteng, South Africa **(740):** Coulson Harney Advocates of P.O. Box 10643 - 00100, Nairobi, Kenya**(210):** 126922 **(220):** 14/03/2023**(300):** None **(511):** 9(Downloadable computer software for accessing, creating, exchanging, managing, storing, validating, sending and receiving digital tokens and non-fungible tokens (NFT's); providing temporary use of non-downloadable computer software for accessing, creating, exchanging, managing, storing, validating, sending and receiving digital tokens and non-fungible tokens (NFTs); downloadable multimedia files containing text, video and video recordings relating to children's entertainment authenticated by non-fungible tokens (NFTs); digital materials containing text, video, video recordings and digital media art relating to children's entertainment authenticated by non-fungible tokens (NFTs); digital materials, namely, cryptographic tokens containing text, video, video recordings and digital media art relating to children's entertainment authenticated by non-fungible tokens (NFTs); digital collectibles in the nature of downloadable multimedia files containing text, video and video recordings relating to children's entertainment authenticated by non-fungible tokens (NFTs); digital collectibles for use in online contests, games and challenges authenticated by non-fungible tokens (NFTs); crypto collectibles in the nature of downloadable multimedia files containing text, video and video recordings relating to children's entertainment authenticated by non-fungible tokens (NFTs);

downloadable image files containing artwork authenticated by non-fungible tokens (NFTs); downloadable virtual goods, namely, computer programs for the creation and trade of digital collectibles using blockchain based software technology; downloadable virtual goods, namely, computer programs featuring toys and games for use online and in online virtual worlds; eyeglasses and sunglasses; Computer software for authoring, downloading, transmitting, receiving, editing, extracting, encoding, decoding, displaying, storing and organizing text, graphics, images, audio files, video files, electronic games and electronic publications: computer software for use in searching, reviewing, purchasing and downloading electronic games and electronic publications; computer software applications for use in downloading, playing and reviewing audio, text and other digital content in the field of children's entertainment; computer software, namely, apps for mobile phones, smart phones, computers and tablets featuring interactive video games; computer game software; computer game discs, computer game cartridges; pre-recorded audiotapes, videotapes, COs, and OVOs featuring movies and television programs about fictional characters, educational activities for children, audiobooks for children about fictional characters, music and instructions for use of toys), 16(Paper, cardboard and goods made from these materials, namely, paper goodie bags, cardboard boxes, notebooks, sketchbooks, drawing paper, craft paper, wrapping paper and decorative paper; printed matter, namely, photographs, calendars, diaries, colouring books and sticker books; stationery, namely, pens, pencils, crayons, felt tip markers, highlighting markers, glue for stationery purposes, adhesive tape, stencils, paint brushes, drawing templates and rulers; books and publications, namely, books, magazines and comic books featuring animation; arts and crafts kits, namely, arts and crafts paint kits and paint sold therewith; children's arts and crafts paper kits and accessories therefor, namely, stickers and marking stamps, fabric and wax sheets with die cut shapes and form molds for creating and decorating; arts and crafts kits containing pens, pencils, crayons, markers, notebooks and sketchbooks, wrapping paper, decorative paper, stickers, glue, tape, stencils, paint brushes, drawing templates and rulers.), 18(Umbrellas; luggage tags; tote bags; carry-all bags; lunch bags of nylon and canvas; backpacks; rucksacks; school bags; fanny packs; messenger bags; handbags; wallets and purses; athletic bags; travel bags; knapsacks; change purses; duffle bags; beach bags), 25(Clothing, namely, children's clothing in the nature of shorts, t-shirts, sweaters, dresses, skirts and pants, play clothing, namely costumes for use in children's dress up play, loungewear, sleepwear and undergarments; footwear, namely, children's footwear; headgear, namely, hats, caps, head bands and earmuffs.), 28(Toys, games and playthings, namely, dolls and accessories therefor, action figures, action figure play sets, character figures and toy animal figures, character figure and toy animal figure play sets, toy figurines, toy pets and accessories therefor, plush toys, toy vehicles, children's multiple activity toys, children's multiple activity toys featuring interactive activities and digital applications, toy building sets, educational toys, ride-on toys, construction toys, parlour games, puzzles, role-playing games, card games, board games, interactive board games, action skill games, action target games, electronic hand-held games for use with external display screen or monitor and electronic action toys) and 41(Entertainment services in the nature of on-going television

programs in the field of children's entertainment; entertainment, namely, a continuing animated television show broadcast over television, satellite, audio, and video media; entertainment services, namely, providing radio programs in the field of children's entertainment; entertainment services, namely, providing on-going television programs in the field of children's entertainment via a global computer network; entertainment services, namely, providing podcasts in the field of children's entertainment; entertainment services, namely, providing webcasts in the field of children's entertainment; entertainment services, namely, providing on-line computer games; entertainment services, namely, providing video podcasts in the field of children's entertainment; entertainment services, namely, providing temporary use of nondownloadable interactive games; entertainment services, namely, providing temporary use of nondownloadable electronic games; entertainment services, namely, providing temporary use of nondownloadable computer games; entertainment services, namely, providing temporary use of nondownloadable video games and distribution thereof) **(526):** None **(730):** SPIN MASTER LTD a Corporation Incorporated under the laws of Ontario of 225 king street West, Suite 200, Toronto, Ontario, M5v 3m2, Canada **(740):** Coulson Harney Advocates of P.O. Box 10643 - 00100, Nairobi, Kenya

(210): 126932 **(220):** 16/03/2023

(300): None **(511):** 16(Tissue Paper) **(526):** Registration of this mark shall give no right to the exclusive use of the word "INDUSTRIES", the word "LTD" and the letters "S" and "R" each separately and apart from the mark as a whole. **(730):** SUNORO INDUSTRIES LTD of P.O. Box 38681 - 00100, Nairobi, Kenya **(740):** None



(210): 126933 **(220):** 16/03/2023

(300): None **(511):** 5(Pest control products (fungicides, herbicides, insecticides) **(526):** None **(730):** ENFARM CROP SCIENCE (KENYA) LIMITED of P.O. Box 23007 - 00100, Nairobi, Kenya **(740):** None

ENFINE

(210): 126934 **(220):** 16/03/2023

(300): None **(511):** 33(Alcoholic Beverages(Except beers) **(526):** Registration of this mark shall give no right to the exclusive use of the word "CANDY" separately and apart from the mark as a whole. **(730):** SIDDHAM BEVERAGES LIMITED of P.O. Box 38975 - 00100, Nairobi, Kenya **(740):** None

CANDY FLOSS

(210): 126945 **(220):** 16/03/2023

(300): None **(511):** 33(Alcoholic Beverages(Except Beers) **(526):** None **(730):** SIDDHAM BEVERAGES LIMITED of P.O. Box 38975 - 00100, Nairobi, Kenya **(740):** None

WILSHIRE

(210): 126965 **(220):** 20/03/2023

(300): None **(511):** 1(Foliar fertilizer.) **(526):** None **(730):** FARMSTREAM SUPPLIES LTD of P.O. Box 74 - 10300, Kerugoya, Kenya **(740):** None

ABORSTOP

(210): 126973 **(220):** 21/03/2023

(300): None **(511):** 35(Advertisement; Business management; Business administration; office functions.) **(526):** Registration of this mark shall give no right to the exclusive use of the words 'EXPRESS', 'BOOKS' and the letters 'X', 'FAB', 'M' and 'O' each separately and apart from the mark as a whole. **(730):** BOOKS ON DEMAND- AFRICA of P.O. Box 16458 - 00100, Nairobi, Kenya **(740):** None



(210): 127000 (220): 22/03/2023
 (300): None (511): 5(Pharmaceutical preparation) (526): None
 (730): TOPSTONE PHARMA LIMITED of Godown B10, Kenafric Business Park, Baba Dogo Road, P. O. Box 13742 - 00800, Nairobi, Kenya (740): None

PROBUTAB

(210): 127001 (220): 22/03/2023
 (300): None (511): 5(Pharmaceutical preparation) (526): None
 (730): TOPSTONE PHARMA LIMITED of Godown B10, Kenafric Business Park, Baba Dogo Road, P. O. Box 13742 - 00800, Nairobi, Kenya (740): None

INDOTOPCAP

(210): 127002 (220): 22/03/2023
 (300): None (511): 5(Pharmaceutical preparation) (526): None
 (730): TOPSTONE PHARMA LIMITED of Godown B10, Kenafric Business Park, Baba Dogo Road, P. O. Box 13742 - 00800, Nairobi, Kenya (740): None

TOPFLUZOL

(210): 127003 (220): 22/03/2023
 (300): None (511): 5(Pharmaceutical preparation) (526): None
 (730): TOPSTONE PHARMA LIMITED of Godown B10, Kenafric Business Park, Baba Dogo Road, P. O. Box 13742 - 00800, Nairobi, Kenya (740): None

TOPCLORFENOL

(210): 127004 (220): 22/03/2023
 (300): None (511): 5(Pharmaceutical preparation) (526): None
 (730): TOPSTONE PHARMA LIMITED of Godown B10, Kenafric Business Park, Baba Dogo Road, P. O. Box 13742 - 00800, Nairobi, Kenya (740): None

TOPCAIPEN

(210): 127005 (220): 22/03/2023
 (300): None (511): 5(Pharmaceutical preparation) (526): None
 (730): TOPSTONE PHARMA LIMITED of Godown B10, Kenafric Business Park, Baba Dogo Road, P. O. Box 13742 - 00800, Nairobi, Kenya (740): None

CIPROTOPCIN

(210): 127006 (220): 22/03/2023
 (300): None (511): 5(Pharmaceutical preparation) (526): None
 (730): TOPSTONE PHARMA LIMITED of Godown B10, Kenafric Business Park, Baba Dogo Road, P. O. Box 13742 - 00800, Nairobi, Kenya (740): None

TOPBAMAZEN

(210): 127007 (220): 22/03/2023
 (300): None (511): 5(Pharmaceutical preparation) (526): None
 (730): TOPSTONE PHARMA LIMITED of Godown B10, Kenafric Business Park, Baba Dogo Road, P. O. Box 13742 - 00800, Nairobi, Kenya (740): None

TOPFOLIFERUM

(210): 127008 (220): 22/03/2023
 (300): None (511): 5(Pharmaceutical preparation) (526): None
 (730): TOPSTONE PHARMA LIMITED of Godown B10, Kenafric Business Park, Baba Dogo Road, P. O. Box 13742 - 00800, Nairobi, Kenya (740): None

OMETOPREP

(210): 127017 (220): 23/03/2023
 (300): None (511): 29(Milk & Milk products) (526): Registration of this mark shall give no right to the exclusive use of the device of the 'Milk Splash' separately and apart from the mark as a whole. The mark is restricted to the colours C:75 M:35, Pantone 102C & Pantone 7604C (730): BLACK DICEROS AFRICA LTD of P. O. Box 988 - 60100, Kenya (740): None



(210): 127018 (220): 23/03/2023

(300): None (511): 5(Pharmaceuticals, medical and veterinary preparations; sanitary preparations for medical purposes; dietetic food and substances adapted for medical or veterinary use, food for babies; dietary supplements for human beings and animals; plasters, materials for dressings; material for stopping teeth, dental war disinfectants ; preparations for destroying vermin; fungicides, herbicides) (526): Registration of this mark shall give no right to the exclusive use of the words 'Biodegradable' and 'Hygienic' each separately and apart from the mark as a whole. (730): ECOBANANA LIMITED of P. O. Box 55034 - 40200, Kisii, Kenya (740): Muthoni Nduhiu Advocates of P. O. Box 102077 - 00100, Nairobi, Kenya



(210): 127044 (220): 24/03/2023

(300): None (511): 5(Veterinary preparations) (526): None (730): ULTRAVETIS EAST AFRICA LTD of P. O. Box 44096 - 00100, Nairobi, Kenya (740): None

FLYGONE

(210): 127045 (220): 24/03/2023

(300): None (511): 5(Veterinary preparations) (526): None (730): ULTRAVETIS EAST AFRICA LTD of P. O. Box 44096 - 00100, Nairobi, Kenya (740): None

ULTRAFLY

(210): 127046 (220): 24/03/2023

(300): None (511): 5(Veterinary preparations) (526): None (730): ULTRAVETIS EAST AFRICA LTD of P. O. Box 44096 - 00100, Nairobi, Kenya (740): None

DICHLOFUME

(210): 127053 (220): 24/03/2023

(300): None (511): 42(Designing of websites for advertisement purposes) (526): Registration of this mark shall give no right to the exclusive use of the word 'Kenya' and '.co.ke' each separately and apart from the mark as a whole. (730): TYREX KENYA ENTERPRISES LTD of P. O. Box 10474 - 00100, Nairobi, Kenya (740): None



(210): 127055 (220): 24/03/2023

(300): None (511): 35(Advertising; business management; business administration; office functions.) and 41(Education; providing of training; entertainment; sporting and cultural activities.) (526): Registration of this mark shall give no right to the exclusive use of the words 'reads', 'news', 'organized' and the device of a 'newspaper' each separately and apart from the mark as a whole. 'Sumo' is an invented word with no English meaning (730): SUMIT DODHIA of P. O. Box 45 - 00606, Nairobi, Kenya (740): None



(210): 127094 (220): 29/03/2023

(300): None (511): 36(Financial, monetary and banking services; insurance services; real estate services.) (526): 'JANI' is a swahili word meaning "Leaf" in English (730): BasiGo Limited of 1st Floor Rivaan Centre, Muguga Green, Westlands, P.O. Box 322 - 00606, Nairobi, Kenya (740): Kieti Law LLP of P.O. Box 22602 - 00505, Nairobi, Kenya

Jani

(210): 127095 (220): 29/03/2023

(300): None (511): 39(Transport; packaging and storage of goods; travel arrangement.) (526): 'JANI' is a swahili word meaning "Leaf" in English (730): BasiGo Limited of 1st Floor Rivaan Centre, Muguga Green, Westlands, P.O. Box 322 - 00606, Nairobi, Kenya (740): Kieti Law LLP of P.O. Box 22602 - 00505, Nairobi, Kenya

Jani

(210): 127097 (220): 29/03/2023
(300): None (511): 6(Common metals and their alloys, ores; metal materials for building and construction; transportable buildings of metal; non-electric cables and wires of common metal; small items of metal hardware; metal containers for storage or transport; safes.) (526): None (730): FRANK THIAMBII MBURU of P.O. Box 405 - 01000, Thika, Kenya (740): None

EVERSTEEL

(210): 127106 (220): 29/03/2023
(300): None (511): 9(Computers; Notebook computers; Computer monitors; Interactive touch screen terminals; Tablet computers; Television apparatus; Automatic advertising machines; Video screens; Mobile power supply (rechargeable battery); Cabinets for loudspeakers.) (526): None (730): HKC CORPORATION LIMITED of 1F-3F, 5F-7F of Factory Building 1, 7F of Factory Building 6, Huike Industrial Park, No.1 Industrial 2nd Road, Shilong Community, Shiyuan Street, Baon District, Shenzhen, China (740): Simba & Simba Advocates of P.O. Box 10312 - 00100, Nairobi, Kenya

HIKERS

(210): 127114 (220): 29/03/2023
(300): None (511): 5(Pharmaceutical and veterinary preparations; sanitary preparations for medical purposes; dietetic substances adapted for medical use, food for babies; plasters, materials for dressings; material for stopping teeth, dental wax; disinfectants; sanitizers) (526): None (730): VIVA HEALTHCARE LTD, a limited liability company duly incorporated under the laws of Kenya of P.O. Box 56591 - 00200, Nairobi, Kenya (740): None

ZOLEVIVA

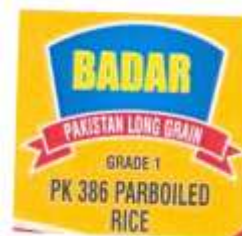
(210): 127115 (220): 29/03/2023
(300): None (511): 5(Pharmaceutical and veterinary preparations; sanitary preparations for medical purposes; dietetic substances adapted for medical use, food for babies; plasters, materials for dressings; material for stopping teeth, dental wax; disinfectants; sanitizers) (526): None (730): VIVA HEALTHCARE LTD, a limited liability company duly incorporated under the laws of Kenya of P.O. Box 56591 - 00200, Nairobi, Kenya (740): None

VIVAMYCIN

(210): 127118 (220): 30/03/2023
(300): None (511): 30(Tea) (526): Registration of this mark shall give no right to the exclusive use of the words "KEMBU" and "TEA" each separately and apart from the mark as a whole. (730): GREENFIELDS TEA FACTORY LIMITED of P.O. Box 205 - 20400, Bomet, Kenya (740): None

KEMBU TEA

(210): 127130 (220): 31/03/2023
(300): None (511): 30(Rice) (526): Registration of this mark shall give no right to the exclusive use of the letters "K", "P" and the words "Pakistan", "Long", "Grade", "Parboiled", "Rice" and the numerals '1', '3', '6' and '8' each separately and apart from the mark as a whole. "BADAR" is a coined word which has no meaning in English. (730): ZAID IMPORT LIMITED of P.O. Box 33412 - 00600, Nairobi, Kenya (740): None



(210): 127145 (220): 31/03/2023
(300): None (511): 5(Pesticide) (526): 'AVENA' is an Italian word which means 'oat meal' in English (730): FARMFIX AFRICA COMPANY LIMITED of P .O. Box 378-00521, Nairobi, Kenya (740): None

AVENA

(210): 127162 (220): 31/03/2023
(300): None (511): 30(Flour) (526): Registration of this mark shall give no right the exclusive use of the device of "MAIZE COBS" each separately and apart from the mark as a whole. (730): NELCO MILLERS LTD of P.O. Box 101975 - 00101, Nairobi, Kenya (740): None



(210): 127175 (220): 03/04/2023

(300): None (511): 1(Chemicals used in Agriculture) (526): None (730): HOMA LIME CO. LTD of P. O. Box Private Bag, Koru, Kenya (740): None

calciboost

(210): 127176 (220): 03/04/2023

(300): None (511): 1(Chemicals used in Agriculture) (526): None (730): HOMA LIME CO. LTD of P. O. Box Private Bag, Koru, Kenya (740): None

calcifix

(210): 127177 (220): 03/04/2023

(300): None (511): 1(Chemicals used in Agriculture) (526): None (730): HOMA LIME CO. LTD of P. O. Box Private Bag, Koru, Kenya (740): None

Homacal

(210): 127183 (220): 03/04/2023

(300): None (511): 35(Advertising; business management; business administration; office functions) and 42(Scientific and technological services and research and design relating thereto: industrial analysis and research services; design and development of computer hardware and software.) (526): Registration of this mark shall give no right the exclusive use of the words "EASY", "SIGN" and the device of a 'cellphone' each separately and apart from the mark as a whole. (730): SAI OFFICE SUPPLIES LIMITED of P.O. Box 61663 - 00200, Odyssey Building, Nairobi, Kenya (740): None



(210): 127184 (220): 03/04/2023

(300): None (511): 7(Machines, machine tools, power-operated tools; motors and engines.), 9(Safety and security apparatus and instruments, for example, Inspection, screening, detection, signalling lights, traffic-light apparatus, sound alarms, security tokens being encryption devices; Photographic, cinematographic, audiovisual, optical, weighing, measuring, signalling, detecting, testing, inspecting, life-saving.) and 45(Security services for the physical protection of tangible property and individuals.) (526): Registration of this mark shall give no right the exclusive use of the words "SECURITY", "SPECIALISTS", the Letters "G", "K", "T" and the device of the "map of Africa" each separately and apart from the mark as a whole. (730): KGT KENYA LIMITED of Karen Road, Golden Ivy Plaza, Ground Floor, P.O. Box 35075 - 00100, Nairobi, Kenya (740): OK Law Advocates LLP of P.O. Box 35075-00100 Nairobi, Kenya



(210): 127185 (220): 03/04/2023

(300): None (511): 10(Medical device) (526): None (730): ABACUS PHARMA LIMITED of P.O, Box 66829 - 00800, Nairobi, Kenya (740): None

SBIO

(210): 127204 (220): 04/04/2023

(300): None (511): 41(Education, providing of training, entertainment and cultural activities.) (526): Registration of this mark shall give no right to the exclusive use of the word "KIDS" separately and apart from the mark as a whole. "SURA" is a Swahili word meaning "Phase" or "Identity" (730): AQILI INVESTMENT LIMITED of P.O. Box 42359 - 00100, Nairobi, Kenya (740): None

SURA KIDS

(210): 127206 (220): 04/04/2023

(300): None (511): 16(Tissue.) (526): Registration of this mark shall give no right to the exclusive use of the words "TISSUE" each separately and apart from the mark as a whole. 'Pendo' is a Kiswahili word that translates to 'love' in English. (730): JUBILEE TISSUES INDUSTRIES of Peponi plaza, Kenya (740): None



(210): 127213 **(220):** 05/04/2023**(300):** None **(511):** 41(Education; Providing of training entertainment; sporting and cultural activities.) **(526):** Registration of this mark shall give no right to the exclusive use of the words "BIASHARA" and "SANAA" each separately and apart from the mark as a whole. The English translation of the Swahili words "SANAA", "KAMA", "BIASHARA" is "Art", "As" and "Business" respectively.,**(730):** ALLAN MUYE MWAMUYE MZUNGU and FELICIA SOLOMON MLAMBA of P.O. Box 30315 - 00100, Nairobi, Kenya **(740):** None**SANAA KAMA
BIASHARA****(210):** 127214 **(220):** 05/04/2023**(300):** None **(511):** 35(Advertising; Business management, organization and administration; office functions.) and 36(Financial, monetary and banking services; Insurance services; Real estate affairs.) **(526):** 'PEPETA IWAKE' means 'Fan your flame' in English **(730):** PEPETA IWAKE of P.O. Box 9000 - 00100, Nairobi, Kenya **(740):** None**PEPETA IWAKE****(210):** 127216 **(220):** 05/04/2023**(300):** None **(511):** 35(Online car sales.) **(526):** Registration of this mark shall give no right to the exclusive use of the words "Auto", "Space", "Ride", "Drive" and the device of the "car" each separately and apart from the mark as a whole. **(730):** TISS SAFARIS LIMITED of P.O. Box 19737 - 00100, Nairobi, Kenya **(740):** None**(210):** 127217 **(220):** 05/04/2023**(300):** None **(511):** 35(Office functions.) and 44(Medical services.) **(526):** Registration of this mark shall give no right to the exclusive use of the words "CHILDREN" and "CLINIC" each separately and apart from the mark as a whole. **(730):** REGISTERED TRUSTEES Of Getrude's Garden of P.O. Box 42325 - 00100, Nairobi, Kenya **(740):** LJA Associates LLP of P.O. Box 49594 - 00100, Nairobi, Kenya**(210):** 127227 **(220):** 06/04/2023**(300):** None **(511):** 41(Education; providing of training; entertainment; sporting and cultural activities.) **(526):** Registration of this mark shall give no right to the exclusive use of the words "JAWABU", "SCHOOL" and the letters "J" and 'S' each separately and apart from the mark as a whole. "JAWABU" is a Kiswahili word which means "Answer" in English. **(730):** JAWABU SCHOOL LIMITED of P.O. Box 104457 - 00101, Nairobi, Kenya **(740):** Mwangambo & Okonjo Advocates of P.O. Box 35263 - 00100, Nairobi, Kenya**(210):** 127238 **(220):** 06/04/2023**(300):** None **(511):** 35 (Advertising services; branding services; brand positioning services; brand testing services; brand strategy services; brand creation services, including advertising and promotion; brand evaluation services; advertising services to create corporate and brand identity; public relations) **(526):** None **(730):** ELENHEICH LIMITED of P. O. Box 1288, Kikuyu, Kenya **(740):** CK & Associates Advocates of P.O. Box 56793 - 0020, Nairobi, Kenya**(210):** 127239 **(220):** 06/04/2023**(300):** None **(511):** 5(Pharmaceutical, medical and veterinary preparations; sanitary preparations for medical purposes; dietetic substances adapted for medical use or veterinary use, food for babies; plasters, materials for dressings; material for stopping teeth, dental wax; disinfectants; preparations for destroying vermin; fungicides, herbicides, parasiticides, insecticides.) **(526):** None **(730):** CKL AFRICA LIMITED of P.O. Box 40596 - 00100, Nairobi, Kenya **(740):** Hamilton Harrison & Mathews Advocates of P.O. Box 30333 - 00100, Nairobi, Kenya

(210): 127251 (220): 06/04/2023

(300): None (511): 41(Education; providing of training; entertainment; sporting and Cultural activities.) (526): Registration of this mark shall give no right to the exclusive use of the letters "C", "H" and "T" each separately and apart from the mark as a whole. (730): TALENT HUB CENTRE of P.O. Box 10184 - 30100, Eldoret, Kenya (740): None



DAPEFY

(210): 127255 (220): 06/04/2023

(300): None (511): 5(Medicinal and pharmaceutical preparations for treatment of diabetes.) (526): None (730): SUN PHARMACEUTICALS INDUSTRIES LIMITED of Sun House, Plot No. 201 B/1, Western Express Highway, Goregaon (E), Mumbai - 400 063, Maharashtra, India (740): CFL Advocates of P. O. Box 23555 - 00100, Nairobi, Kenya

(210): 127256 (220): 06/04/2023

(300): None (511): 38(Telecommunications.) (526): Registration of this mark shall give no right to the exclusive use of the letters "E" and "K" each separately and apart from the mark as a whole. "MADINI" is a Swahili word meaning "Minerals" in English. (730): MINISTRY OF MINING, BLUE ECONOMY AND MARITIME AFFAIRS of P.O. Box 30009 - 00100, Nairobi, Kenya (740): None

MADINI - KE

(210): 127258 (220): 06/04/2023

(300): None (511): 5(Pharmaceuticals; dietary supplements for human beings and animals.) (526): Registration of this mark shall give no right to the exclusive use of the word "LTD" separately and apart from the mark as a whole. (730): PATRAS PHARMACY LTD of P.O. Box 379 - 00618, Ruaraka, Kenya (740): None

THE INSTAMARX LTD

(210): 127262 (220): 06/04/2023

(300): None (511): 3(Non-medicated cosmetics and toiletry preparations; dentifrices; perfumery, essential oils, cosmetics, hair lotions, deodorants; nail art stickers.), 14(Precious metals and their alloys such as jewellery and watches.) and 26(Lace, braid and embroidery and haberdashery ribbons and bows; buttons, false hair, artificial flowers.) (526): Registration of this mark shall give no right to the exclusive use of the words "ZURI" and "BEAUTY" each separately and apart from the mark as a whole. "ZURI" is a Swahili word meaning "Good" in English. (730): ZURI BEAUTY of P.O. Box 2063 - 00200, Nairobi, Kenya (740): None



(210): 127270 (220): 11/04/2023

(300): None (511): 5(Medicinal and pharmaceutical preparations for treatment of allergy.) (526): None (730): SUN PHARMACEUTICALS INDUSTRIES LIMITED of Sun House, Plot No. 201 B/1, Western Express Highway, Goregaon (E), Mumbai - 400 063, Maharashtra, India (740): CFL Advocates of P. O. Box 23555 - 00100, Nairobi, Kenya

BILASURE

(210): 127276 (220): 11/04/2023

(300): None (511): 5(Pharmaceuticals.) (526): Registration of this mark shall give no right to the exclusive use of the word "Tablets" and the letter "C" each separately and apart from the mark as a whole. (730): VINCARE CONSULTING LIMITED of P.O. Box 38222 - 00100, NAIROBI, Kenya (740): None

FLUDEX-C tablets

(210): 127289 (220): 12/04/2023

(300): None (511): 12(Vehicles; apparatus for locomotion by land, air, or water) (526): None (730): BKP PRODUCTS LIMITED of P.O. Box 17657 - 00100, Nairobi, Kenya (740): Bob & Bob Advocates of P.O. Box 50570 - 00100, Nairobi, Kenya

AGMAX

(210): 127290 (220): 12/04/2023
(300): None (511): 12(Vehicles; apparatus for locomotion by land, air, or water) (526): None (730): BKP PRODUCTS LIMITED of P.O. Box 17657 - 00100, Nairobi, Kenya (740): Bob & Bob Advocates of P.O. Box 50570 - 00100, Nairobi, Kenya

AGFIELD

(210): 127305 (220): 12/04/2023
(300): None (511): 5(Fungicides) (526): None (730): CORTEVA AGRISCIENCE LLC IN, US of 9330 Zionsville Road, Indianapolis, Indiana 46268, United States of America (740): Coulson Harney Advocates of P. O. Box 10643 - 00100, Nairobi, Kenya

ZORVEC ENCANTIA

(210): 127312 (220): 12/04/2023
(300): None (511): 33(Alcoholic beverages except beer) (526): None (730): E. REMY MARTIN & CO. Société par actions simplifiée FRANCE of 20 rue de la Société Vinicole,16100 Cognac, France (740): Kaplan & Stratton Advocates of P.O. Box 40111 - 00100, Nairobi, Kenya



(210): 127329 (220): 12/04/2023
(300): None (511): 33(Alcoholic beverages other than beer.) (526): None (730): IGNITE INTERNATIONAL, LTD of 3308 Towerwood Drive Farmers' Branch, TX 75234-2317, United States of America (740): Coulson Harney Advocates of P.O. Box 10643 - 00100, Nairobi, Kenya



MIX ALL

(210): 127330 (220): 12/04/2023
(300): None (511): 5(Preparations for destroying vermin, herbicides and fungicides) (526): None (730): SINERIA KENYA LIMITED of P. O. Box 79777 - 00200, Nairobi, Kenya (740): None

INTRABLEND

(210): 127331 (220): 12/04/2023
(300): None (511): 5(Preparations for destroying vermin, herbicides and fungicides) (526): None (730): SINERIA KENYA LIMITED of P. O. Box 79777 - 00200, Nairobi, Kenya (740): None

HALOTHRIN

(210): 127332 (220): 12/04/2023
(300): None (511): 5(Pesticides) (526): None (730): ORBIT AGRO CHEMICAL INDUSTRIES LIMITED, a limited liability company incorporated in the Republic of Kenya (under Company Number PVT/2016/024603) of P. O. Box 48870 - 00100, Nairobi, Kenya (740): None



(210): 127356 (220): 12/04/2023
(300): None (511): 28(Games, toys and playthings; video game apparatus; gymnastic and Orting articles; decorations for Christmas trees) and 35(Advertising; business management; business administration; office functions.) (526): Registration of this mark shall give no right to the exclusive use of the word 'OPTIONS' separately and apart from the mark as a whole. 'OMOKA' is Swahili word that means 'make it' in English. (730): LAZERTECH DIGITAL LIMITED T/A OMOKA OPTIONS of P. O. Box 1079-20117, Naivasha, Kenya (740): None

MIZILE

(210): 127364 (220): 17/04/2023
(300): None (511): 3(Cosmetics) (526): 'Mizile' is a coined name with no English meaning (730): PAUL MIRIKAU of P.O. Box 110 - 60200, Meru, Kenya (740): None

(210): 127368 (220): 17/04/2023
(300): None (511): 41(Education; providing of training; entertainment; sporting and cultural activities.) (526): Registration of this mark shall give no right to the exclusive use of the word 'CONSERVANCY' and the device of 'Animals' each separately and apart from the mark as a whole. (730): SUYIAN RANCH LIMITED of P. O. Box 1449 - 10400, Nanyuki, Kenya (740): Coulson Harney Advocates of P. O. Box 10643 - 00100, Nairobi, Kenya



(210): 127379 **(220):** 18/04/2023**(300):** None **(511):** 16(Paper, cardboard and goods made from these materials, not included in other classes; printed matter; bookbinding material; photographs; stationery; adhesives for stationery or household purposes; artists' materials; paint brushes; typewriters and office requisites (except furniture); instructional and teaching materials (except apparatus); plastic materials for packaging (not included in other classes); printers tv; printing blocks.) and 45(Legal services; security services for the protection of property and individuals; personal and social services rendered by others to meet the needs of individuals.)**(526):** Registration of this mark shall give no right to the exclusive use of the words 'Probation', 'Service', 'Kenya', 'Offenders' and 'Aftercare' each separately and apart from the mark as a whole. **(730):** PROBATION AND AFTERCARE SERVICE OF P. O. Box 42335 - 00100, Nairobi, Kenya **(740):** None**(210):** 127380 **(220):** 18/04/2023**(300):** None **(511):** 35(Business Management) **(526):** Registration of this mark shall give no right to the exclusive use of the symbol '@' separately and apart from the mark as a whole. 'Kanha' is a coined word **(730):** KANHA LIMITED of P.O. Box 43114 - 00100, Nairobi, Kenya **(740):** None**(210):** 127383 **(220):** 18/04/2023**(300):** None **(511):** 10(Surgical, medical, dental and veterinary apparatus and instruments; artificial limbs, eyes and teeth; orthopaedic articles; suture materials; therapeutic and assistive devices adapted for persons with disabilities; massage apparatus; apparatus, devices and articles for nursing infants; sexual activity apparatus, devices and articles.) and 16(Paper and cardboard; printed matter; bookbinding material; photographs; stationery and office requisites, except furniture; adhesives for stationery or household purposes; drawing materials and materials for artists; paintbrushes; instructional and teaching materials; plastic sheets, films and bags for wrapping and packaging) **(526):** None **(730):** OXOPLAST KENYA LTD of P.O. Box 17917 - 00500, Nairobi, Kenya **(740):** None**OXXY****(210):** 127385 **(220):** 18/04/2023**(300):** None **(511):** 5(Pharmaceuticals) **(526):** None **(730):** YILING (KENYA) INTERNATIONAL LIMITED of P. O. Box 71888 - 00100, Nairobi, Kenya **(740):** None**COLFLOW****(210):** 127386 **(220):** 18/04/2023**(300):** None **(511):** 5(Pharmaceuticals) **(526):** None **(730):** YILING (KENYA) INTERNATIONAL LIMITED of P. O. Box 71888-00100, Kenya **(740):** None**COUFLEE****(210):** 127392 **(220):** 18/04/2023**(300):** None **(511):** 35(Advertising; business management; administration; office functions business), 36(Financial affairs; monetary affairs) and 42(Technological services) **(526):** Registration of this mark shall give no right to the exclusive use of the words 'Pata' and 'Score' each separately and apart from the mark as a whole. The translation into English of the Kiswahili word 'Pata' is 'Get' **(730):** PEZESHA AFRICA LIMITED OF P.O. Box 22986 - 00505, Nairobi, Kenya **(740):** None**(210):** 127408 **(220):** 19/04/2023**(300):** None **(511):** 36(Financial affairs; Monetary affairs) **(526):** Registration of this mark shall give no right to the exclusive use of the words 'Capital' and 'Tip' each separately and apart from the mark as a whole. **(730):** TIP-POINT CAPITAL LIMITED of P. O. Box 21006 - 00100, Nairobi, Kenya **(740):** None

(210): 127414 **(220):** 19/04/2023

(300): None **(511):** 38(Telecommunications) and 41(Education, promoting, training, entertainment and cultural activities)

(526): Registration of this mark shall give no right to the exclusive use of the acronym 'TV' separately and apart from the mark as a whole. **(730):** TRUE CHRISTIAN VINE CHURCH of P. O. Box 1067 - 60200, Meru, Kenya **(740):** None

SILOAM TV

(210): 127415 **(220):** 19/04/2023

(300): None **(511):** 9(Downloadable computer programs and downloadable computer software for using language models; downloadable computer programs and downloadable computer software for machine learning; downloadable computer programs and downloadable computer software for natural language processing, generation, understanding and analysis; downloadable computer programs and downloadable computer software for machine-learning based language and speech processing software; downloadable computer programs and downloadable computer software for the translation of text or speech from one language to another; downloadable computer chatbot software for simulating conversations; downloadable computer programs and downloadable computer software for sharing datasets for the purpose of machine learning, predictive analytics, and building language models; downloadable computer programs and downloadable computer software for voice and speech recognition; downloadable computer programs and downloadable computer software for creating and generating images from text; downloadable computer programs and downloadable computer software for image recognition and generation; downloadable computer programs and downloadable computer software using artificial intelligence for music generation; downloadable computer programs and downloadable computer software for the translation of text or speech from natural language to software code; downloadable computer programs and downloadable computer software for conversion of text and data files into software code; downloadable computer programs and downloadable computer software for creating and generating software code; downloadable computer programs and downloadable computer software for multilingual speech recognition, translation, and transcription; downloadable computer programs and downloadable computer software using artificial intelligence for automatic speech to text conversion; downloadable computer programs and downloadable computer software for the translation of speech and text from one language to another; downloadable computer programs and downloadable computer software for developing, running and analyzing algorithms that are able to learn to analyze, classify, and take actions in response to exposure to data; downloadable computer programs and downloadable computer software for developing and implementing artificial neural networks; downloadable computer software for simulation environments for the purpose of testing artificial intelligence agents, algorithms or programs; downloadable application programming interface (API) software.) and 42(Software as a service (SAAS) services featuring software for using language models; providing online non-downloadable software for machine-learning based language; providing online non-downloadable software for natural language processing, generation, understanding and analysis; providing online non-downloadable software for machine-learning based language and speech processing software; providing online non-downloadable software for the translation of text or speech from one language to another;

OPENAI

providing online non-downloadable chatbot software for simulating conversations; providing online non-downloadable software for software for voice and speech recognition; providing online non-downloadable software for creating and generating images from text; providing online non-downloadable software for the translation of text or speech from natural language to software code; online nondownloadable software for conversion of text data files into software code; providing online non-downloadable software for creating and generating software code; providing online non-downloadable software for multilingual speech recognition, translation, and transcription; providing online non-downloadable software using artificial intelligence for automatic speech to text conversion; providing online nondownloadable software for the translation of speech and text from one language to another; providing online non-downloadable software for developing, running and analyzing algorithms that are able to learn to analyze, classify, and take actions in response to exposure to data; providing online non-downloadable software for sharing datasets for the purpose of machine learning, predictive analytics, and building language models; providing online non-downloadable software for developing and implementing artificial neural networks; application service provider featuring application programming interface (API) software; providing online non-downloadable software for simulation environments for the purpose of testing artificial intelligence agents, algorithms or programs; providing online non-downloadable software for application development; research and development services in the field of artificial intelligence; research, design and development of computer programs and software.) **(526):** None **(730):** OPENAI, INC of 3180 18th street,suite 100, San Francisco, California 94110, United States of America **(740):** Coulson Harney Advocates of P.O. Box 10643 - 00100, Nairobi, Kenya

(210): 127418 **(220):** 20/04/2023

(300): None **(511):** 18(Leather bags) and 21(Households, Kitchen utensils and containers) **(526):** None **(730):** ARJUN APPARELS LIMITED of P. O. Box 41646 - 00100, Nairobi, Kenya **(740):** None



(210): 127419 **(220):** 20/04/2023

(300): None **(511):** 32(Beverage isotonic drink) **(526):** Registration of this mark shall give no right to the exclusive use of the word 'Active' and device of a 'Drop' each separately and apart from the mark as a whole. **(730):** HEALTHY-U-2000 LIMITED of P. O. Box 184 - 00606, Nairobi, Kenya **(740):** None



(210): 127422 **(220):** 20/04/2023

(300): None **(511):** 5(Pharmaceuticals) **(526):** None **(730):** MEDINA REMEDIES LIMITED of P.O. Box 47346 - 00100, Nairobi, Kenya **(740):** None

REMLEVO

(210): 127425 **(220):** 20/04/2023

(300): None **(511):** 5(Pharmaceuticals) **(526):** None **(730):** AVETINA LIFE SCIENCES of P.O.Box 3328-0056, NAIROBI, Kenya **(740):** None

NEOGEST

(210): 127445 **(220):** 24/04/2023

(300): None **(511):** 43(Preparation of food and drinks for consumption) **(526):** Registration of this mark shall give no right to the exclusive use of the words 'Dishes', the surnames 'Ajode' and device of 'Cutlery' each separately and apart from the mark as a whole. **(730):** HILLARY AJODE MANGA of P. O. Box 475611 - 00200, Nairobi, Kenya **(740):** None



(210): 127453 **(220):** 25/04/2023

(300): None **(511):** 5(Pharmaceuticals and medical preparations; Sanitary preparations for medical purposes; Dietetic food and substances adapted for medical or veterinary use, food for babies; Dietary supplements for human beings and animals; Plasters, materials for dressing, material for stopping teeth, dental wax; Disinfectants.) and 35 (Advertising; Business management, organization and administration; Office functions.) **(526):** None **(730):** PRIME HEALTH LIMITED of 11450 - 201 A ST, Maple Ridge, V2x Oy4 Greater Vancouver, BC, Canada **(740):** Kabau & Associates Advocates of P. O. Box 101136 - 00101, Nairobi, Kenya

**(210):** 127454 **(220):** 25/04/2023

(300): None **(511):** 5(Pharmaceuticals and medical preparations; Sanitary preparations for medical purposes; Dietetic food and substances adapted for medical or veterinary use, food for babies; Dietary supplements for human beings and animals; Plasters, materials for dressing, material for stopping teeth, dental wax; Disinfectants.) **(526):** None **(730):** SHANGHAI FOSUN PHARMACEUTICALS INDUSTRIAL DEVELOPMENT CO. LTD of Rm.1101, Bldg B, #1289 Yishan Rd, Shanghai 200233, China **(740):** Kabau & Associates Advocates of P. O. Box 101136 - 00101, Nairobi, Kenya

Argesun**(210):** 127458 **(220):** 25/04/2023

(300): None **(511):** 12(Motorcycles spare parts.) **(526):** Registration of this mark shall give no right to the exclusive use of the words "MOTORCYCLE" and "PARTS" each separately and apart from the mark as a whole. "ZOFA" is a coined word with no meaning in English. **(730):** MAMBA MOTORCYCLES SPARES OF P.O. Box 12314 - 00100, Nairobi, Kenya **(740):** None

**(210):** 127476 **(220):** 25/04/2023

(300): None **(511):** 5(Pharmaceuticals, medical and veterinary preparations; sanitary preparations for medical purposes; dietetic food and substances adapted for medical or veterinary use, food for babies; dietary supplements for human beings and animals; plasters, materials for dressings; material for stopping teeth, dental wax; disinfectants; preparations for destroying vermin; fungicides, herbicides.) **(526):** None **(730):** LIPTIS FOR PHARMACEUTICALS AND MEDICAL PRODUCT of Plot.No B/2.6th Industrial Zone, 6th of October City, Egypt **(740):** Lee, Kwesiga & Kiprono Advocates LLP of P.O. Box 19200 - 00501, Nairobi, Kenya

PRINOCYCLINE**(210):** 127481 **(220):** 26/04/2023

(300): None **(511):** 41(Education, providing of training entertainment, sporting and cultural activities.) **(526):** Registration of this mark shall give no right to the exclusive use of the words "BLACK", "PRODUCTIONS" separately and apart from the mark as a whole. **(730):** GEORGE KYALO MUTUA of Kenya **(740):** Gachanja Mwangi & Company Advocates of P.O. Box 37418 - 00100, Nairobi, Kenya

**(210):** 127483 **(220):** 26/04/2023

(300): None **(511):** 5(Veterinary pharmaceutical preparations.) **(526):** None **(730):** HIGHCHEM MARKETING LTD of P.O. Box 30467 - 00100, Nairobi, Kenya **(740):** None

IVERCLOS**(210):** 127484 **(220):** 26/04/2023

(300): None **(511):** 5(Veterinary pharmaceutical preparation.) **(526):** None **(730):** HIGHCHEM MARKETING LTD of P.O. Box 30467 - 00100, Nairobi, Kenya **(740):** None

BUPARSOL**(210):** 127485 **(220):** 26/04/2023

(300): None **(511):** 5(Veterinary pharmaceutical preparation.) **(526):** None **(730):** HIGHCHEM MARKETING LTD of P.O. Box 30467 - 00100, Nairobi, Kenya **(740):** None

MULTISOL

(210): 127487 (220): 26/04/2023

(300): None (511): 32(Beer.) (526): Registration of this mark shall give no right to the exclusive use of the words "BEER", "PREMIUM", "QUALITY", "GENUINE", "HANDMADE" and the letters "B" and "U" each separately and apart from the mark as a whole. (730): URBAN BREWERIES LTD of P.O. Box 64174 - 00620, Nairobi, Kenya (740): None



MEAT BUDA

(210): 127489 (220): 26/04/2023

(300): None (511): 30(Pizza; Meat pies; sandwiches.) (526): Registration of this mark shall give no right to the exclusive use of the word "MEAT" separately and apart from the mark as a whole. "BUDA" is a slang name borrowed from Sheng meaning "Ultimate boss/with plenty" (730): MUM'S PIZZA KITCHEN LTD of P.O. Box 1800 - 00621, Nairobi, Kenya (740): None

(210): 127492 (220): 26/04/2023

(300): None (511): 9(Computer software, mobile application.) (526): Registration of this mark shall give no right to the exclusive use of the word "PAY" separately and apart from the mark as a whole. (730): MOVETECH SOLUTIONS LIMITED of P.O. Box 37991 - 00100, Nairobi, Kenya (740): None



(210): 127515 (220): 27/04/2023

(300): None (511): 35(Advertising; business management, organization and administration; office functions.) and 41(Education; providing of training; entertainment; sporting and cultural activities.) (526): Registration of this mark shall give no right the exclusive use of the device of the "map of Africa" separately and apart from the mark as a whole. 'AMBIKA' is a coined word which has no meaning (730): CINEARTS AFRIKA LIMITED of P.O. Box 54022 - 00200, Nairobi, Kenya (740): None



(210): 127517 (220): 27/04/2023

(300): None (511): 30(Food product (Maize flour) (526): Registration of this mark shall give no right to the exclusive use of the word 'Plus' and the devices of a 'hand' and a 'maize cob' each separately and apart from the mark as a whole. 'YETU' is a swahili word meaning 'ours' in English. (730): UWEZO MAIZE MILLERS LIMITED of P.O Box 652 - 20117, Naivasha, Kenya (740): None



(210): 127518 (220): 27/04/2023

(300): None (511): 9(Accumulators,electric, for vehicles, accumulators jars; plates for batteries; anode batteries; galvanic batteries, batteries, electric; accumulators, electric; photovoltaic cells; solar batteries) (526): None (730): AUTO XPRESS LIMITED of P.O Box 14163 - 00800, Limuru Road, Autoxpress Building, Nairobi, Kenya (740): Mucheru Law LLP Advocates of P.O. Box 7769 - 00200, Nairobi, Kenya

marathon

(210): 127523 (220): 27/04/2023

(300): None (511): 39(Transport; arranging of travel tours; arranging of cruises; boat and yacht rental; marina services; tourist offices and travel agencies services; arranging of tours; arranging and conducting cruises; organization of tours; organization of cruises; operating tours; operating cruises; escorting of travelers; transport of travelers; passenger transport; yacht and boat chartering services; parking garages services; parking place rental; car parking, car rental; booking of seats for travel; travel reservation services; travel agency services for arranging tours; travel arrangement; air transport; air transportation; baggage check-in services; airport baggage check-in services [not including security inspection]; cruise baggage check-in services; airport passenger check-in services; cruise passel'lger check-in services; providing flight arrival and departure information; providing cruise arrival and departure information; airport services; organization of travel; cruise ship



services; provision of tourist travel information; marine transport; travel services; tour guide services; sightseeing (tourism); rental of diving suits; travel reservations; boat cruises; travel agency services for arranging travel; cruise reservation services; arranging and booking of cruises; arranging of transportation for travel tours; all of the aforesaid services including (but not limited to) services provided electronically or on line from a computer database or via the Internet; information, advisory and consultancy services relating to the aforesaid services) **(526)**: None **(730)**: FOUR SEASONS HOTELS (Netherlands) B.V., a private company with limited liability (organized and existing under the laws of the Netherlands) of Kingsfordweg 151, 1043 GR Amsterdam, Netherlands **(740)**: Coulson Harney Advocates of P.O. Box 10643 - 00100, Nairobi, Kenya

(210): 127527 **(220)**: 28/04/2023

(300): None **(511)**: 35(Advertising, business management, organization and administration office functions) **(526)**: None **(730)**: CALLTRONIX KENYA LIMITED of P.O. Box 66856-00800, Westlands, Kenya **(740)**: Naomi Mutheu Mbiti of P. O. Box 7113 - 00100, Nairobi, Kenya

KATICRM

(210): 127528 **(220)**: 28/04/2023

(300): None **(511)**: 9(Mobile Phones) **(526)**: Registration of this mark shall give no right the exclusive use of the word "PHONES" separately and apart from the mark as a whole. **(730)**: ABDIAZIZ ABDULLAHI MOHAMED of P.O. Box 12570 - 00400, Luthuli Avenue, Nairobi, Kenya **(740)**: None

GOTEL PHONES

(210): 127553 **(220)**: 28/04/2023

(300): None **(511)**: 5(Herbicide) **(526)**: None **(730)**: HAIGANG LIU of P. O. Box 4565, Nakuru, Kenya **(740)**: None

GAPNIL

(210): 127554 **(220)**: 28/04/2023

(300): None **(511)**: 5(Herbicide) **(526)**: None **(730)**: GOOD AGRICULTURAL PRACTICE TECHNOLOGY E.A LTD of P.O. Box 4565 - 20100, Nakuru, Kenya **(740)**: None

GAPKLIN

(210): 127555 **(220)**: 28/04/2023

(300): None **(511)**: 5(FUNGICIDE) **(526)**: None **(730)**: GOOD AGRICULTURAL PRACTICE TECHNOLOGY E.A LTD of P.O. Box 4565 - 20100, Nakuru, Kenya **(740)**: None

GAPLAXYL

(210): 127556 **(220)**: 28/04/2023

(300): None **(511)**: 5(Herbicide) **(526)**: 'GAP' is the abbreviation for 'Good Agricultural Practices'. 'SAWA' is a random Swahili name meaning 'good/nice' **(730)**: GOOD AGRICULTURAL PRACTICE TECHNOLOGY E.A LTD of P.O. Box 4565 - 20100, Nakuru, Kenya **(740)**: None

GAPSAWA

(210): 127557 **(220)**: 28/04/2023

(300): None **(511)**: 5(Herbicide) **(526)**: GAP' is the abbreviation for 'Good Agricultural Practices'. 'Futa' is a random Swahili name meaning 'erase/eliminate' **(730)**: GOOD AGRICULTURAL PRACTICE TECHNOLOGY E.A LTD of P.O. Box 4565 - 20100, Nakuru, Kenya **(740)**: None

GAPFUTA

(210): 127561 **(220)**: 02/05/2023

(300): None **(511)**: 29(Meat, fish, poultry and game; meat extracts ; preserved, frozen, dried and cooked fruits and vegetables; jellies, jams, compotes; eggs; milk, cheese, butter, yoghurt and other milk products; oils and fats for food.) **(526)**: Registration of this mark shall give no right to the exclusive use of the word 'Bora' separately and apart from the mark as a whole. The translation into English of the word 'Bora' is 'Best'. **(730)**: PEARL DAIRY FARMS LIMITED of Plot 29B, Acacia Avenue, P.O. Box 7420, Kampala, Uganda **(740)**: Igeria & Ngugi Advocates of P.O. Box 60635-00200 , Avenue 5 Building, Nairobi



(210): 127590 (220): 02/05/2023

(300): None (511): 36(Insurance, Financial affairs, monetary affairs, real estate affairs) (526): Registration of this mark shall give no right to the exclusive use of the word 'SHULE' and device of a 'Book' per se each separately and apart from the mark as a whole. The translation into English of the Kiswahili word 'SHULE' is 'School' (730): FOURTH GENERATION CAPITAL LIMITED of Africa Reit House, Africa Reit Lane, Karen, P.O. Box 4916 - 00100, Nairobi, Kenya (740): None



(210): 127592 (220): 02/05/2023

(300): None (511): 6(Common metals and their alloys, ores; metal materials for building and construction; transportable buildings of metal; non-electric cables and wires of common metal; small items of metal hardware; metal containers for storage or transport; safes.) (526): Registration of this mark shall give no right to the exclusive use of the words 'IDEAL' per se, 'MABATI', 'ROOFING' and device of the 'Roof' each separately and apart from the mark as a whole. The translation into English of the Kiswahili word 'Mabati' is 'Iron Sheet' (730): IDEAL IRON COMPANY LIMITED of P. O. Box 612 - 20200, Kericho, Kenya (740): None



(210): 127600 (220): 03/05/2023

(300): None (511): 38(Telecommunications) (526): Registration of this mark shall give no right the exclusive use of the word "CONNECT" separately and apart from the mark as a whole (730): ATC KENYA OPERATIONS LIMITED of P.O. Box 66133 - 00800, Nairobi, Kenya (740): None

Towerconnect

(210): 127602 (220): 03/05/2023

(300): None (511): 9(Computers; scales; aerials/antennas; television apparatus; wires, electric; plugs, sockets and other contacts [electric connections]; switches, electric; voltage surge protector; smoke detectors; batteries, electric.) and 11(Lamps; lanterns for lighting; gas burners; refrigerators; electric fans for personal use; showers; hair dryers/hair driers; heaters for heating irons; taps/ faucets; water filtering apparatus.) (526): Registration of this mark shall give no right the exclusive use of the letters "P" and "H" each separately and apart from the mark as a whole (730): RICH POWER ELECTICAL LTD of P.O. Box 69236 - 00100, Nairobi, Kenya (740): None



(210): 127603 (220): 03/05/2023

(300): None (511): 1(adhesives for use in industry) and 16(Adhesive for stationery or household purposes) (526): None (730): RICH POWER ELECTICAL LTD of P.O. Box 69236 - 00100, Nairobi, Kenya (740): None

LUIGELL

(210): 127604 (220): 03/05/2023

(300): None (511): 9(Computers; scales; aerials/antennas; television apparatus; wires, electric; plugs, sockets and other contacts [electric connections]; switches, electric; voltage surge protector; smoke detectors; batteries, electric.) and 11(Lamps; lanterns for lighting; gas burners; refrigerators; electric fans for personal use; showers; hair dryers/hair driers; heaters for heating irons; taps/ faucets; water filtering apparatus.) (526): Registration of this mark shall give no right the exclusive use of the letters "P" and "R" separately and apart from the mark as a whole (730): RICH POWER ELECTICAL LTD of P.O. Box 69236 - 00100, Nairobi, Kenya (740): None



(210): 127607 (220): 03/05/2023

(300): None (511): 30(Bread) (526): Registration of this mark shall give no right the exclusive use of the "the device of loaf of bread and wheat plant" each separately and apart from the mark as a whole (730): RAYSMART MINI MARKET of P.O. Box 222 - 00610, Nairobi, Kenya (740): None



(210): 127610 (220): 03/05/2023

(300): None (511): 3(Hand wash) and 5(Cleaning bleach, toilet disinfectant, detergent, dishwashing liquid, hand sanitizer) (526): None (730): TARAJI HYGIENICS LIMITED of Trance Towers, South B, Nairobi, P.O. Box 4330 - 00506, Nairobi, Kenya (740): None



(210): 127616 (220): 04/05/2023

(300): None (511): 7(Electrical/Power tools) (526): None (730): PRABHU SUPPLIES LIMITED of P.O. Box 19071-00500, Raiphy Godowns, Mombasa Road, Kenya (740): None



(210): 127620 (220): 04/05/2023

(300): None (511): 35(Advertising/Marketing) (526): "ANJEMU" is a coined word with no meaning in English. (730): ANJEMU ENTERPRISES of P.O. Box 9405 - 00100, Nairobi, Kenya (740): None



(210): 127624 (220): 04/05/2023

(300): None (511): 7(Electric blenders), 8(Hand tools and implements (hand operated) and 11(Electric fans, Gas cookers, water dispensers valve (plumping fittings) (526): None (730): ZENG WEITAO of P.O. box 561 - 80100, Mombasa, Kenya (740): None



(210): 127628 (220): 04/05/2023

(300): None (511): 41(Education, training and teaching; educational services in the field of healthcare, hygiene and nutrition; training concerning the use of surgical, medical and dental apparatus and instruments; training of medical doctors, nurses, health workers and hospital staff; training services by means of simulators in the medical field; exchange programs for students and teachers; provision of seminars, lectures, teaching materials, educational courses and training programs via the Internet; organization and conducting of colloquiums, confefences, congresses, symposiums and workshops; lending library services; publication and editing of printed matter, in particular brochures, catalogues, books, journals and periodicals; providing temporary use of non-downloadable online publications.) and 44(Medical services; hospital services; medical assistance consultancy provided by doctors and other specialized medical personnel; providing information in the field of medicine, nursing, hygiene and nutrition.) (526): None (730): FOUNDATION AGA KHAN, a foundation organised and existing under the laws of Switzerland of Avenue de la paix 1-3 1202 Geneva, Switzerland (740): Coulson Harney Advocates of P.O. Box 10643 - 00100, Nairobi, Kenya



(210): 127641 (220): 05/05/2023

(300): None (511): 1(Fertilizer.) (526): Registration of this mark shall give no right to the exclusive use of the word "FOLIAR" separately and apart from the mark as a whole. (730): STEPHEN AYUNGO OCHWO of P.O. Box 7780 - 30100, Eldoret, Kenya (740): None



(210): 127647 (220): 05/05/2023

(300): None (511): 43(Services for providing food and drinks temporary accomodation) (526): Registration of this mark shall give no right the exclusive use of the word "LOUNGE" and the letters "E", "O" and "V" each separately and apart from the mark as a whole. (730): EVO LOUNGE of P.O. Box 1451 - 00800, Nairobi, Kenya (740): None



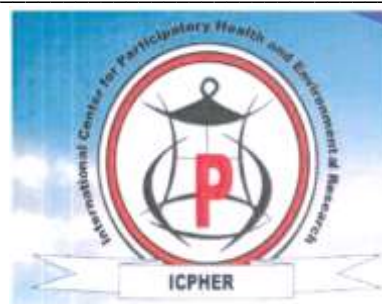
(210): 127648 (220): 05/05/2023

(300): None (511): 35(Hardware shop) (526): None (730): SGL HARDWARE 2 LIMITED of P.O. Box 21581 - 00505, Nairobi, Kenya (740): None



(210): 127668 (220): 08/05/2023

(300): None (511): 16(Paper and cardboard, printed matter , photographs, stationery and office requisite (except furniture), company letter head, company logo and business cards.) and 35(Business management, business administration office functions and consultancy services) (526): Registration of this mark shall give no right to the exclusive use of the words "International", "Center", "Participatory", "Health", "Environment", "Research" and the letters "P", "I", "C", "H" and "R" each separately and apart from the mark as a whole. (730): AMEKEN MINEWEST COMPANY LIMITED of P.O. Box 52022 - 00200, Nairobi, Kenya (740): None



(210): 127669 (220): 08/05/2023

(300): None (511): 1(Chemicals used in industries.) (526): Registration of this mark shall give no right to the exclusive use of the word "CHEMICALS" and the device of "Molecules" each separately and apart from the mark as a whole. (730): AMEKEN MINEWEST COMPANY LIMITED of P.O. Box 52022 - 00200, Nairobi, Kenya (740): None



(210): 127673 (220): 08/05/2023

(300): None (511): 3(Beauty masks, body lotions, cosmetics, eye shadows, eye pencil essential oils false nails, hair treatment cream, hair colorant, up kits, perfumery, nail cane, preparations.) (526): None (730): DALYDYCE ENTERPRISES LTD of P.O. Box 10061 - 00500, Nairobi, Kenya (740): None

Kojic

(210): 127674 (220): 08/05/2023

(300): None (511): 4(Multigrade oils motor oil sae 40 diesel oil, hydraulic oil. automotive gear oil, industrial gear oil, cutting oil, cooling oil, heat transfer oil, compressor oil, slideway oil, vacuum pump oil, grease calcium, grease lithium, grease wheel bearing, rust prevention oil, grease wire rope, grease graphite.) (526): Registration of this mark shall give no right to the exclusive use of the word "Lubricants" separately and apart from the mark as a whole. (730): ROVIN EYE SERVICES K LTD of P.O. Box 4173 - 00100, Nairobi, Kenya (740): None



(210): 127682 (220): 08/05/2023

(300): None (511): 30(Tea.) (526): Registration of this mark shall give no right to the exclusive use of the words "TEA", "QUALITY" and the device of "tea leaves" and "cups" with contents each separately and apart from the mark as a whole. (730): THUO MATHENGE of P.O. Box 3040 - 10100, Nairobi, Kenya (740): None



(210): 127686 (220): 09/05/2023

(300): None (511): 43(Services for providing food and drink.) (526): Registration of this mark shall give no right to the exclusive use of the words "NJERI", "UJI" and "HEALTH" and the devices of "assorted fruits and drinks" and "calabash" each separately and apart from the mark as a whole. The English translation of the Kiswahili word "UJI" and "NJERI WA UJI" is "Porridge" and "Njeri Porridge" respectively (730): JANE NJERI GITHAIGA of P.O. Box 21855 - 00100, Nairobi, Kenya (740): None



(210): 127688 (220): 09/05/2023

(300): None (511): 32(Beers, mineral and aerated waters ad other non alcoholic beverages) (526): Registration of this mark shall give no right to the exclusive use of the word "COLA" and the device of a 'Hand' each separately and apart from the mark as a whole. (730): BOUNTY LIMITED of P.O. Box 57387 - 00200, Nairobi, Kenya (740): None



(210): 127703 **(220):** 09/05/2023**(300):** None **(511):** 5(Pharmaceuticals, medical and veterinary preparations; sanitary preparations for medical purposes; dietetic food and substances adapted for medical or veterinary use, food for babies; dietary supplements for humans and animals; plasters, materials for dressings; material for stopping teeth, dental wax; disinfectants; preparations for destroying vermin; fungicides, herbicides) **(526):** None **(730):** ASPEN PHARMACARE HOLDINGS LIMITED of Building 8, Healthcare Park, Woodlands Drive, Woodmead, Sandton, Gauteng, South Africa **(740):** Coulson Harvey Advocates of P.O. Box 10643 - 00100, Nairobi, Kenya**PNEUMOASPEN**

(210): 127704 **(220):** 09/05/2023**(300):** None **(511):** 5(Pharmaceuticals, medical and veterinary preparations; sanitary preparations for medical purposes; dietetic food and substances adapted for medical or veterinary use, food for babies; dietary supplements for humans and animals; plasters, materials for dressings; material for stopping teeth, dental wax; disinfectants; preparations for destroying vermin; fungicides, herbicides) **(526):** None **(730):** ASPEN PHARMACARE HOLDINGS LIMITED of Building 8, Healthcare Park, Woodlands Drive, Woodmead, Sandton, Gauteng, South Africa **(740):** Coulson Harvey Advocates of P.O. Box 10643 - 00100, Nairobi, Kenya**MENASPEN**

(210): 127705 **(220):** 09/05/2023**(300):** None **(511):** 5(Pharmaceuticals, medical and veterinary preparations; sanitary preparations for medical purposes; dietetic food and substances adapted for medical or veterinary use, food for babies; dietary supplements for humans and animals; plasters, materials for dressings; material for stopping teeth, dental wax; disinfectants; preparations for destroying vermin; fungicides, herbicides) **(526):** None **(730):** ASPEN PHARMACARE HOLDINGS LIMITED of Building 8, Healthcare Park, Woodlands Drive, Woodmead, Sandton, Gauteng, South Africa **(740):** Coulson Harvey Advocates of P.O. Box 10643 - 00100, Nairobi, Kenya**ROTASPEN**

(210): 127705 **(220):** 09/05/2023**(300):** None **(511):** 5(Pharmaceuticals, medical and veterinary preparations; sanitary preparations for medical purposes; dietetic food and substances adapted for medical or veterinary use, food for babies; dietary supplements for humans and animals; plasters, materials for dressings; material for stopping teeth, dental wax; disinfectants; preparations for destroying vermin; fungicides, herbicides) **(526):** None **(730):** ASPEN PHARMACARE HOLDINGS LIMITED of Building 8, Healthcare Park, Woodlands Drive, Woodmead, Sandton, Gauteng, South Africa **(740):** Coulson Harvey Advocates of P.O. Box 10643 - 00100, Nairobi, Kenya**ROTASPEN**

(210): 127715 **(220):** 09/05/2023**(300):** None **(511):** 5(Pharmaceuticals and veterinary preparations; sanitary preparations for medical purposes; dietetic substances adapted for medical use, food for babies; plasters, materials for dressings; material for stopping teeth, dental wax; disinfectants; sanitizers) **(526):** None **(730):** TIBA HEALTHCARE LIMITED a Limited Liability Company duly incorporated under the laws of Kenya of P.O. Box 243 - 623, Parklands, Nairobi, Kenya **(740):** None**MIRABA**

(210): 127716 **(220):** 10/05/2023**(300):** None **(511):** 5(Pharmaceuticals and Medical Preparations) **(526):** None **(730):** HARLEY'S LIMITED of P.O. Box 42718 - 00100, Nairobi, Kenya **(740):** None**DICIP**

(210): 127717 (220): 10/05/2023 (300): None (511): 5(Pharmaceuticals and Medical Preparations) (526): Registration of this mark shall give no right to the exclusive use of the word 'Plus' separately and apart from the mark as a whole. (730): HARLEY'S LIMITED of P.O. Box 42718 - 00100, Nairobi, Kenya (740): None	CHLORPAR PLUS
(210): 127718 (220): 10/05/2023 (300): None (511): 5(Pharmaceuticals and Medical Preparations) (526): None (730): HARLEY'S LIMITED of P.O. Box 42718 - 00100, Nairobi, Kenya (740): None	BACTOSPORIN
(210): 127719 (220): 10/05/2023 (300): None (511): 5(Pharmaceuticals and Medical Preparations) (526): None (730): HARLEY'S LIMITED of P.O. Box 42718 - 00100, Nairobi, Kenya (740): None	CALCIDOP
(210): 127720 (220): 10/05/2023 (300): None (511): 5(Pharmaceuticals and Medical Preparations) (526): None (730): HARLEY'S LIMITED of P.O. Box 42718 - 00100, Nairobi, Kenya (740): None	FLAMIFEN
(210): 127721 (220): 10/05/2023 (300): None (511): 5(Pharmaceuticals and Medical Preparations) (526): None (730): HARLEY'S LIMITED of P.O. Box 42718 - 00100, Nairobi, Kenya (740): None	URIFLOX
(210): 127722 (220): 10/05/2023 (300): None (511): 5(Pharmaceuticals and Medical Preparations) (526): None (730): HARLEY'S LIMITED of P.O. Box 42718 - 00100, Nairobi, Kenya (740): None	FLAMINOPRIL
(210): 127723 (220): 10/05/2023 (300): None (511): 5(Pharmaceuticals and Medical Preparations) (526): None (730): HARLEY'S LIMITED of P.O. Box 42718 - 00100, Nairobi, Kenya (740): None	FLOMET
(210): 127724 (220): 10/05/2023 (300): None (511): 5(Pharmaceuticals and Medical Preparations) (526): None (730): HARLEY'S LIMITED of P.O. Box 42718 - 00100, Nairobi, Kenya (740): None	ANALMIN
(210): 127725 (220): 10/05/2023 (300): None (511): 5(Pharmaceuticals and Medical Preparations) (526): None (730): HARLEY'S LIMITED of P.O. Box 42718 - 00100, Nairobi, Kenya (740): None	FLAMOFENAC
(210): 127726 (220): 10/05/2023 (300): None (511): 5(Pharmaceuticals and Medical Preparations) (526): None (730): HARLEY'S LIMITED of P.O. Box 42718 - 00100, Nairobi, Kenya (740): None	RABETO
(210): 127727 (220): 10/05/2023 (300): None (511): 5(Pharmaceuticals and Medical Preparations) (526): None (730): HARLEY'S LIMITED of P.O. Box 42718 - 00100, Nairobi, Kenya (740): None	ZEALOR
(210): 127728 (220): 10/05/2023 (300): None (511): 5(Pharmaceuticals and Medical Preparations) (526): Registration of this mark shall give no right to the exclusive use of the words 'LIPITIN' and the letter 'A' each separately and apart from the mark as a whole. (730): HARLEY'S LIMITED of P.O. Box 42718 - 00100, Nairobi, Kenya (740): None	LIPITIN-A
(210): 127729 (220): 10/05/2023 (300): None (511): 5(Pharmaceuticals and Medical Preparations) (526): Registration of this mark shall give no right to the exclusive use of the letter 'S' and each separately and apart from the mark as a whole. (730): HARLEY'S LIMITED of P.O. Box 42718 - 00100, Nairobi, Kenya (740): None	S-PRAZO

(210): 127731 (220): 10/05/2023

(300): None (511): 41(Consultancy in providing training in business) (526): Registration of this mark shall give no right to the exclusive use of the letters 'A' and 'G' and the words 'AGES', 'EDUCATIONAL' and 'SERVICES' each separately and apart from the mark as a whole. (730): AG EDUCATIONAL SERVICES of P. O. Box 67136-00200, Nairobi, Kenya (740): None



(210): 127733 (220): 10/05/2023

(300): None (511): 29(Dairy products) and 31(Fresh fruits and vegetables) (526): Registration of this mark shall give no right to the exclusive use of the words 'FRESH', 'PRODUCE' and devices of 'human hands' & 'seedling' each separately and apart from the mark as a whole. MASHBA is a coined word. (730): MASHBAH HOLDINGS LIMITED of P.O. Box 3255000506, Nairobi, Kenya (740): None

MASHBAH FRESH PRODUCE



A Step Towards A Great Future

(210): 127736 (220): 10/05/2023

(300): None (511): 4(Motor oil, lubricating grease) (526): Registration of this mark shall give no right to the exclusive use of the words 'Tripple', 'Super', 'Motor', 'Oil' and the letter 'A' each separately and apart from the mark as a whole. (730): RAMA AUTOMOBILE AND ACCESSORIES LIMITED of P.O. Box 71212 - 00622, Nairobi, Kenya (740): None



(210): 127737 (220): 10/05/2023

(300): None (511): 3(Non-medicated cosmetics and toiletry preparations; non-medicated dentifrices; perfumery, essential oils; bleaching preparations and other substances for laundry use; cleaning, polishing, scouring and abrasive preparations.) and 35(Importation and distribution; business management, organization and administration; office functions.) (526): None (730): SUPERIOR BEAUTY EQUIPMENT LIMITED of P. O. Box 966 - 00200, Nairobi, Kenya (740): None



(210): 127743 (220): 10/05/2023

(300): None (511): 35(Advertising; business management, organization and administration; office functions.) (526): Registration of this mark shall give no right to the exclusive use of the words 'Sure' separately and apart from the mark as a whole. The English translation of the word 'NIKO' is 'I AM' (730): WAANZILISHI CAPITAL LIMITED of P.O. Box 48015 - 00100, Nairobi, Kenya (740): Nicholas Gitonga & Associates of No.5 Swiss Cottages, Riverside Drive, P.O. Box 10997 - 00100, Nairobi, Kenya

NIKO SURE

(210): 127744 (220): 10/05/2023

(300): None (511): 36(Financial, monetary, and banking services; insurance services; real estate services.) (526): Registration of this mark shall give no right to the exclusive use of the words 'Sure' separately and apart from the mark as a whole. The English translation of the word 'NDOVU' is 'Elephant' (730): WAANZILISHI CAPITAL LIMITED of P.O. Box 48015 - 00100, Nairobi, Kenya (740): Nicholas Gitonga & Associates of No.5 Swiss Cottages, Riverside Drive, P.O. Box 10997 - 00100, Nairobi, Kenya

NDOVU SURE

(210): 127750 (220): 10/05/2023

(300): None (511): 5(Pharmaceutical Products for use by humans) (526): None 'Concetamol' is a coined word. (730): TD CONCEPT LIMITED of P.O. Box 1819 - 10100, Nyeri, Kenya (740): None

CONCETAMOL

(210): 127765 (220): 11/05/2023
(300): None (511): 32(Purified drinking water) (526): Registration of this mark shall give no right to the exclusive use of the words 'Kakamega', 'Diocese', 'Water Drops' and device of the 'Water Drop' each separately and apart from the mark as a whole. (730): DIOCESE OF KAKAMEGA of P. O. Box 838 - 50100, Kakamega, Kenya (740): None



(210): 127774 (220): 12/05/2023
(300): None (511): 3(Bleaching preparations and other substances for laundry use; cleaning, polishing, scouring and abrasive preparations; soaps; perfumery, essential oils, cosmetics, hair lotions; dentifrices and all other goods in the class.) (526): None (730): WAMHJO GROUP LLC of 3947 LISLE, IL 60532, United States of America (740): RSM Law LLP Advocates of P.O. Box 45822 - 00100, Nairobi, Kenya



(210): 127775 (220): 12/05/2023
(300): None (511): 3(Bleaching preparations and other substances for laundry use; cleaning, polishing, scouring and abrasive preparations; soaps; perfumery, essential oils, cosmetics, hair lotions; dentifrices) (526): Registration of this mark shall give no right to the exclusive use of the words 'Curls' and 'Natural' each separately and apart from the mark as a whole. (730): BIOCARE LABS AFRICA LIMITED of House No.4 Oyarifa, Foregt Me Not Street, Adenta Adentan Municipal, Greater Accra P.O. Box Ct 1304 Contonments, Accra, Ghana (740): RSM Law LLP Advocates of P.O. Box 45822 - 00100, Nairobi, Kenya



(210): 127776 (220): 12/05/2023
(300): None (511): 18(Luggage and carrying bags; umbrellas Leather and imitations of leather; animal skins and hides; luggage and carrying bags; umbrellas and parasols; walking sticks; whips, harness and saddlery; collars, leashes and clothing for animals.), 25(Clothing footwear, headwear) and 35(Advertising; business management, organization and administration; office functions.) (526): Registration of this mark shall give no right to the exclusive use of the letter 'K' separately and apart from the mark as a whole. (730): KIYA STYLES LIMITED of P.O. Box 135 - 00623, Park Suites, 2nd Floor, Nairobi, Kenya (740): None



(210): 127777 (220): 12/05/2023
(300): None (511): 6(Common metals and their alloys, ores; metal materials for building and construction; transportable buildings of metal; non-electric cables and wires of common metal; small items of metal hardware; metal containers for storage e or transport; safes), 19(Materials, not of metal, for building and construction; rigid pipes, not of metal, for building; asphalt, pitch, tar and bitumen; transportable buildings, not of metal; monuments, not of metal), 35(Advertising; business management or organization and administration; office functions.), 37(Construction services; installation and repair services; mining extraction, oil, and gas drilling), 39(Transport; packaging and storage of goods ; travel arrangement.) and 42(Scientific and technological services and research and design relating thereto; industrial analysis, industrial research and industrial design services; quality control and authentication services; design and development of computer hardware and software.) (526): Registration of this mark shall give no right to the exclusive use of the word 'Jumba' and the letter 'J' each separately and apart from the mark as a whole. The translation into English of the Kiswahili word 'JUMBA'



is 'Large House' or 'Building, Mansion or Palace' **(730)**: JUMBA TECHNOLOGIES KENYA LIMITED of P.O. Box 55701 - 00200, Nairobi, Kenya **(740)**: RSM Law LLP Advocates of P.O. Box 45822 - 00100, Nairobi, Kenya

(210): 127778 **(220)**: 12/05/2023

(300): None **(511)**: 9(Mobile phones.) **(526)**: None **(730)**: FULLMOON TRADING LIMITED of P.O. Box 937 - 00610, Nairobi, Kenya **(740)**: None

MOONTEL

(210): 127790 **(220)**: 12/05/2023

(300): None **(511)**: 5(Pharmaceutical and veterinary preparations; sanitary preparations for medical purposes; dietetic substances adapted for medical use, food for babies; plasters, materials for dressings; material for stopping teeth, dental wax; disinfectants; sanitizers) **(526)**: None **(730)**: DAWA LIMITED of P.O. Box 16633 - 00620, Nairobi, Kenya **(740)**: None

TAMBIRI

(210): 127791 **(220)**: 12/05/2023

(300): None **(511)**: 5(Pharmaceutical and veterinary preparations; sanitary preparations for medical purposes; dietetic substances adapted for medical use, food for babies; plasters, materials for dressings; material for stopping teeth, dental wax; disinfectants; sanitizers) **(526)**: None **(730)**: DAWA LIMITED of P.O. Box 16633 - 00620, Nairobi, Kenya **(740)**: None

TOFAXEL

(210): 127792 **(220)**: 12/05/2023

(300): None **(511)**: 5(Pharmaceutical and veterinary preparations; sanitary preparations for medical purposes; dietetic substances adapted for medical use, food for babies; plasters, materials for dressings; material for stopping teeth, dental wax; disinfectants; sanitizers) **(526)**: None **(730)**: 5(Pharmaceutical and veterinary preparations; sanitary preparations for medical purposes; dietetic substances adapted for medical use, food for babies; plasters, materials for dressings; material for stopping teeth, dental wax; disinfectants; sanitizers)

SEGLIA

(210): 127793 **(220)**: 12/05/2023

(300): None **(511)**: 5(Pharmaceutical and veterinary preparations; sanitary preparations for medical purposes; dietetic substances adapted for medical use, food for babies; plasters, materials for dressings; material for stopping teeth, dental wax; disinfectants; sanitizers) **(526)**: None **(730)**: DAWA LIMITED of P.O. Box 16633 - 00620, Nairobi, Kenya **(740)**: None

BILLERG

(210): 127794 **(220)**: 12/05/2023

(300): None **(511)**: 5(Pharmaceutical and veterinary preparations; sanitary preparations for medical purposes; dietetic substances adapted for medical use, food for babies; plasters, materials for dressings; material for stopping teeth, dental wax; disinfectants; sanitizers) **(526)**: Registration of this mark shall give no right to the exclusive use of the letters 'C' and 'O' each separately and apart from the mark as a whole. **(730)**: DAWA LIMITED of P.O. Box 16633 - 00620, Nairobi, Kenya **(740)**: None

CO-PRESA

(210): 127795 **(220)**: 12/05/2023

(300): None **(511)**: 5(Pharmaceutical and veterinary preparations; sanitary preparations for medical purposes; dietetic substances adapted for medical use, food for babies; plasters, materials for dressings; material for stopping teeth, dental wax; disinfectants; sanitizers) **(526)**: None **(730)**: DAWA LIMITED of P.O. Box 16633 - 00620, Nairobi, Kenya **(740)**: None

YAPRESA

(210): 127796 (220): 12/05/2023**(300):** None **(511):** 5(Pharmaceutical and veterinary preparations; sanitary preparations for medical purposes; dietetic substances adapted for medical use, food for babies; plasters, materials for dressings; material for stopping teeth, dental wax; disinfectants; sanitizers) **(526):** None **(730):** DAWA LIMITED of P.O. Box 16633 - 00620, Nairobi, Kenya **(740):** None**NEPHIX****(210): 127797 (220): 12/05/2023****(300):** None **(511):** 5(Pharmaceutical and veterinary preparations; sanitary preparations for medical purposes; dietetic substances adapted for medical use, food for babies; plasters, materials for dressings; material for stopping teeth, dental wax; disinfectants; sanitizers) **(526):** None **(730):** DAWA LIMITED of P.O. Box 16633 - 00620, Nairobi, Kenya **(740):** None**BEDOIC****(210): 127802 (220): 15/05/2023****(300):** None **(511):** 30(Tea) **(526):** Registration of this mark shall give no right to the exclusive use of the words 'Modern', 'China', 'Tea', 'Shop' and device of 'human being' each separately and apart from the mark as a whole. The translation into English of the Chinese characters is 'Modern China Tea Shop' **(730):** MAXUN CONSULTING COMPANY LIMITED of P.O. Box 511330 - 00100, Nairobi, Kenya **(740):** None**(210): 127827 (220): 15/05/2023****(300):** None **(511):** 42(Scientific and technological services and research and design relating thereto; industrial analysis and research services; design and development of computer hardware and software.) **(526):** None **(730):** ID INSIGHT INC., non-profit corporation Massachusetts, United States of P.O. Box 689 San Francisco CA 94104, United States of America **(740):** Karanja Njenga & Company Advocates of P.O. Box 1775 - 00606, Sarit Centre, Nairobi, Kenya**IDinsight****(210): 127828 (220): 15/05/2023****(300):** None **(511):** 5(Veterinary preparation.) **(526):** Registration of this mark shall give no right to the exclusive use of the words "MILKING", "SALVE" and device of "UDDER" each separately and apart from the mark as a whole. 'LULU' is a Kiswahili word meaning 'Pearl' in English **(730):** BIOSCIENCES KENYA LTD of P.O. Box 6238 - 00200, Nairobi, Kenya **(740):** None**(210): 127838 (220): 15/05/2023****(300):** None **(511):** 9(Downloadable mobile applications, Computer hardware and downloadable software for facilitating and administering payment transactions, banking transactions, and payment card services; computer hardware and downloadable software for electronic processing and transmission of bill payment data; computer hardware and downloadable software for cash disbursement services, automatic teller machine services, transaction authentication, routing, authorization and settlement services, fraud detection and control, disaster recovery and encryption services; telecommunication and electrical apparatus and instruments, namely, apparatus for the recording, transmission and reproduction of data including sound and images; accounting machines; apparatus for tracking, management and analysis of financial accounts via a global computer network; computer hardware and downloadable software, namely, for the development, maintenance and use of local and wide area computer networks; systems for reading memory cards and systems for reading data in memories, namely, integrated circuit memories and banking card memories; downloadable electronic publications; printing apparatus for data processing systems and financial transaction systems; encoders and

decoders; modems; computer hardware and downloadable software for facilitating payment transactions by electronic means over wireless networks, global computer networks and/or mobile telecommunications devices; computer hardware and downloadable software for the creation of encryption keys, digital certificates, and digital signatures; downloadable computer software for secure data storage and retrieval and transmission of confidential customer information used by individuals, banking and financial institutions; computer hardware and downloadable software that facilitates the identification and authentication of near field communication devices and radio frequency identification devices; downloadable computer software comprising a digital wallet to access coupons, vouchers, voucher codes and rebates at retailers and to obtain loyalty or monetary rewards; downloadable computer software comprising a digital wallet that allow users to access price-comparison information, product reviews, links to the retail websites of others, and discount information; software application for use in connection with contactless payment terminals for the purpose of allowing merchants to accept contactless mobile commerce transactions, contactless presentation of loyalty credentials, and contactless redemption of coupons, rebates, discounts, vouchers and special offers; downloadable computer software for managing and verifying cryptocurrency transactions using blockchain technology; downloadable computer software for generating cryptographic keys for receiving and spending cryptocurrency; downloadable computer software for use as a cryptocurrency wallet; downloadable computer software for blockchain-based inventory and supply-chain management; downloadable computer software for accessing, reading, and tracking information in the field of financial transactions on a blockchain; integrated circuit chips for use in mobile phones and NFC and RFID devices; magnetic encoded cards and cards containing an integrated circuit chip ("smart cards"); security encoded cards; hologram impregnated cards (encoded); charge cards, bank cards, credit cards, debit cards, chip cards, installment cards, stored value cards, electronic data carrier cards, payment cards; banking cards, namely, magnetically encoded banking cards and banking cards using magnetic memories and integrated circuit memories; payment card readers; magnetic coded card readers, electronic data carrier card readers, electronic encryption units; computer hardware and downloadable software for use in the financial services, banking and telecommunications industries; downloadable computer software designed to enable smart cards to interact with terminals and readers; computer chips embedded in telephones and other communication devices; telecommunications equipment; point of sale transaction terminals and computer software for transmitting, displaying and storing transaction, identification and financial information for use in the financial services, banking and telecommunications industries; radio frequency identification devices (transponders); electronic verification apparatus for verifying authentication of charge cards, bank cards, credit cards, debit cards and payment cards; cash dispensing machines; parts and fittings for all the aforesaid goods.), 35(Business investigations; commercial information agencies; presentation of goods on communication media for retail purposes; price comparison services; organization of exhibitions for commercial or advertising purposes; marketing consulting services; market research services; tracking, analyzing,

forecasting and reporting cardholder purchase behavior; promoting the sale of the goods and services of others by means of rewards and incentives generated in connection with the use of credit, debit and payment cards; business administration of loyalty and rewards programs; commercial, industrial and business management assistance; business appraisals; advisory services for business management; preparation of statements of accounts; book-keeping; business research; public relations; retail services provided online or through mobile telecommunications means in connection with the provision of credit, debit, and payment cards; computer database management; compiling indexes of information using blockchain technology; promoting concerts and cultural events of others; advertising for transport, travel, hotels, lodging, food and meals, sports, entertainment and sightseeing; providing information regarding purchase of goods and services on-line via the Internet and other computer networks; financial records management; information, advisory and consultancy services related to all the aforesaid services.) and 36(Financial sponsorship; financial services, namely, banking services, credit card services, debit card services, charge card services, installment card services, pre-paid card services offered through cards with stored value, electronic credit and debit transactions, bill payment and presentment services, cash disbursement, check verification, check cashing, deposit access and automated teller machine services, transaction authorization and settlement services, transaction reconciliation, cash management, consolidated funds settlement, consolidated dispute processing, funds movement services in the field of payment cards, electronic payment processing services, payment transaction authentication and verification services; electronic funds transfer and currency exchange services; cryptocurrency payment processing services; cryptocurrency exchange services featuring blockchain technology; providing financial information in the field of cryptocurrency; financial assessment and risk management services for others in the field of consumer credit; dissemination of financial information via a global computer network; financial analysis and consultation; processing services for financial transactions by card holders via automatic teller machines; maintenance of financial records; stored value electronic purse services; electronic banking via a global computer network; financial clearing house services; real estate property services; real estate valuations; real estate investment management; real estate investment services; real estate insurance services; real estate financing; real estate brokerage; real estate appraisals; real estate agency services; evaluation of real estate; real estate administration; administration of financial affairs relating to real estate; provision of real estate loans; financing services relating to real estate development; financial brokerage services for real estate; capital investment in real estate; commercial property investment services; financial services relating to the acquisition of property; financial services relating to the sale of property; leasing of real estate property; estate management services relating to transactions in real property; valuation of property; property portfolio management; mortgage financing and asset securitization; consulting services regarding payment solutions, banking, credit cards, debit cards and payment cards; information, advisory and consultancy services relating to all

the aforesaid services.) **(526)**: Registration of this mark shall give no right to the exclusive use of the word "PAY" and the letter "K" per se each separately and apart from the mark as a whole. **(730)**: KIHINGU COMPANY LIMITED of P.O. Box 2604 - 00100, Nairobi, Kenya **(740)**: Chimera, Kamotho & Co. Advocates LLP of P.O. Box 4287 - 00506, Nairobi, Kenya

(210): 127848 **(220)**: 17/05/2023

(300): None **(511)**: 39(Transport, packaging and storage of goods; travel arrangement.) **(526)**: Registration of this mark shall give no right to the exclusive use of the letters "G", "M", "O" and the acronym "LTD" each separately and apart from the mark as a whole. **(730)**: METRO MAGNUM ORGZ LIMITED of P.O. Box 43188 - 00100, Nairobi, Kenya **(740)**: None

MMOG LTD

(210): 127852 **(220)**: 17/05/2023

(300): None **(511)**: 9(Mobile phones and tablets) **(526)**: Registration of this mark shall give no right to the exclusive use of the letter "X" separately and apart from the mark as a whole. The word "ODA" is a coined word **(730)**: SOURCE CODE TELECOMMUNICATION LIMITED of P.O. Box 3519 - 00200, Nairobi, Kenya **(740)**: None

X.ODA

(210): 127853 **(220)**: 17/05/2023

(300): None **(511)**: 9(Mobile Phones and Tablets) **(526)**: Registration of this mark shall give no right to the exclusive use of the letters 'S', 'Z', 'Y', 'D' and 'M' each separately and apart from the mark as a whole. **(730)**: SOURCE CODE TELECOMMUNICATION LIMITED of P. O. Box 3519 - 00200, Nairobi, Kenya **(740)**: None



(210): 127856 **(220)**: 17/05/2023

(300): None **(511)**: 3(Bleaching preparations and other substances for laundry use; cleaning, polishing, scouring and abrasive preparations; soaps; perfumery, essential oils, cosmetics, hair lotions; dentifrices) and 44(Medical services; veterinary services; hygienic and beauty care for human beings or animals; agriculture, horticulture and forestry services) **(526)**: Registration of this mark shall give no right to the exclusive use of the words 'Natural', 'Beauty' and device of the 'Leaf' separately and apart from the mark as a whole. 'Luguah' is a coined word. **(730)**: MARIAMU LULU KIRUMBA KIMBIO of P.O. Box 508 - 00902, Kikuyu Town, Kenya **(740)**: None

Luguah
NATURAL BEAUTY DONE WELL

(210): 127875 **(220)**: 18/05/2023

(300): None **(511)**: 21(Household or kitchen utensils and containers; cookware and tableware, except forks, knives and spoons; combs and sponges; brushes, except paintbrushes; brush-making materials; articles for cleaning purposes; unworked or semi-worked glass, except building glass; glassware, porcelain and earthenware.) **(526)**: None **(730)**: RICH POWER ELECTRICAL LTD of P.O. Box 69236 - 00100, Nairobi, Kenya **(740)**: None

BESCO

(210): 127876 **(220)**: 18/05/2023

(300): None **(511)**: 16(Paper and cardboard; printed matter; bookbinding material; photographs; stationery and office requisites, except furniture; adhesives for stationery or household purposes; drawing materials and materials for artists; paintbrushes; instructional and teaching materials; plastic sheets, films and bags for wrapping and packaging.) **(526)**: Registration of this mark shall give no right to the exclusive use of the devices of 'Pencils' separately and apart from the mark as a whole. The mark is restricted to colours 'Grey', 'Red', 'thin and thick blue lines' with 'black and white' tail end **(730)**: ECONMAX MEARCHANTS LIMITED of P.O. Box 66236 - 00100, Yatta Road, Nairobi, Kenya **(740)**: None



(210): 127877 **(220):** 18/05/2023
(300): None **(511):** 16(Paper and cardboard; printed matter; bookbinding material; photographs; stationery and office requisites, except furniture; adhesives for stationery or household purposes; drawing materials and materials for artists; paintbrushes; instructional and teaching materials; plastic sheets, films and bags for wrapping and packaging;) **(526):** 'SUNUP' is a distorted word for Sun - Up **(730):** ECONMAX MEARCHANTS LIMITED of P.O. Box 66236 - 00100, Yatta Road, Nairobi, Kenya **(740):** None



(210): 127878 **(220):** 18/05/2023
(300): None **(511):** 8(Hand tools and implements, hand-operated; cutlery; side arms, except firearms: razors.) **(526):** None **(730):** RICH POWER ELECTRICAL LTD of P.O. Box 69236 - 00100, Charles Rubia Road, Nairobi, Kenya **(740):** None



(210): 127879 **(220):** 18/05/2023
(300): None **(511):** 9(Apparatus and instruments for conducting, switching, transforming, accumulating, regulating or controlling the distribution or use of electricity; apparatus and instruments for recording, transmitting, reproducing or processing sound, images or data; recorded and downloadable media, computer software,) **(526):** None **(730):** RICH POWER ELECTRICAL LTD of P.O. Box 69236 - 00100, Charles Rubia Road, Nairobi, Kenya **(740):** None

TOCEBAL

(210): 127880 **(220):** 18/05/2023
(300): None **(511):** 39(Tours and Travel) **(526):** Registration of this mark shall give no right to the exclusive use of the word 'Safari' separately and apart from the mark as a whole. **(730):** INTELIX SOLUTIONS LIMITED of P.O. Box 17723 - 00500, Nairobi, Kenya **(740):** None

EASE MY SAFARI

(210): 127886 **(220):** 18/05/2023
(300): None **(511):** 32(Beers; non alcoholic beverages; mineral and aerated waters; fruit beverages and fruit juices; syrups and other non alcoholic preparations for making beverages) **(526):** Registration of this mark shall give no right to the exclusive use of the letters 'J', 'B' and 'R' each separately and apart from the mark as a whole. **(730):** YOFAR GREEN TRADING of P.O. Box 59846 - 00200, Nairobi, Kenya **(740):** None



(210): 127896 **(220):** 19/05/2023
(300): None **(511):** 25(Clothing, Footwear, Headgear) **(526):** Registration of this mark shall give no right to the exclusive use of the word 'Budget' and letter 'B' each separately and apart from the mark as a whole. **(730):** BUDGET SHOES LTD of P.O. Box 41522 - 00100, Nairobi, Kenya **(740):** None



(210): 127897 **(220):** 19/05/2023
(300): None **(511):** 8(Hand tools and implements, hand-operated; cutlery; side arms, except firearms; razors) **(526):** None **(730):** PERSONETICS LIMITED of P.O. Box 499 - 80100, Mombasa, Kenya **(740):** None



(210): 127898 **(220):** 19/05/2023
(300): None **(511):** 16(Paper and cardboard; printed matter; bookbinding material; photographs; stationery and office requisites, except furniture; adhesives for stationery or household purposes; drawing materials and materials for artists; paintbrushes; instructional and teaching materials; plastic sheets, films and bags for wrapping and packaging;) **(526):** None **(730):** PERSONETICS LIMITED of P.O. Box 499 - 80100, Mombasa, Kenya **(740):** None



(210): 127899 **(220):** 19/05/2023**(300):** None **(511):** 21(Household or kitchen utensils and containers; cookware and tableware, except forks, knives and spoons; combs and sponges; brushes, except paintbrushes; brush-making materials; articles for cleaning purposes; unworked or semi-worked glass, except building glass; glassware, porcelain and earthenware.) **(526):** None 'Connect Djimba' has no meaning in relation to the goods **(730):** PERSONETICS LIMITED of P.O. Box 499 - 80100, Mombasa, Kenya **(740):** None**CONNERT DJIMBA****(210):** 127900 **(220):** 19/05/2023**(300):** None **(511):** 11(Apparatus and installations for lighting, heating, cooling, steam generating, cooking, drying, ventilation, water supply and sanitary purposes.) **(526):** Registration of this mark shall give no right to the exclusive use of the devices of 'Torches' separately and apart from the mark as a whole. "GIGUHA" has no meaning in relation to the goods. **(730):** PERSONETICS LIMITED of P.O. Box 499 - 80100, Mombasa, Kenya **(740):** None**(210):** 127901 **(220):** 19/05/2023**(300):** None **(511):** 9(Batteries) **(526):** None **(730):** PERSONETICS LIMITED of P.O. Box 499-80100, Mombasa, Kenya **(740):** None**ECEBAL****(210):** 127902 **(220):** 19/05/2023**(300):** None **(511):** 16(Tapes for electrical insulation.) **(526):** None **(730):** PERSONETICS LIMITED of P.O. Box 499 - 80100, Mombasa, Kenya **(740):** None**(210):** 127903 **(220):** 19/05/2023**(300):** None **(511):** 16(Paper and cardboard; printed matter; bookbinding material; photographs; stationery and office requisites, except furniture; adhesives for stationery or household purposes; drawing materials and materials for artists; paintbrushes; instructional and teaching materials; plastic sheets, films and bags for wrapping and packaging;) **(526):** "AQINLIUGU" is a coined word. **(730):** PERSONETICS LIMITED OF P.O. Box 499 - 80100, Mombasa, Kenya **(740):** None**AQINLIUGU****(210):** 127915 **(220):** 19/05/2023**(300):** None **(511):** 3(Hair conditioner) **(526):** Registration of this mark shall give no right to the exclusive use of the words "Hair", "Olive" and "Oil" each separately and apart from the mark as a whole. **(730):** KODKA INTERNATIONAL LIMITED, a limited liability company duly incorporated under the laws of Kenya of P.O. Box 17021 - 80100, Mombasa, Kenya **(740):** None**(210):** 127916 **(220):** 19/05/2023**(300):** None **(511):** 16(Paper, cardboard and goods made from these materials; printed matter; photographs; stationery, including business cards, pamphlets, brochures, magazines, complimentary slips; plastic materials for packaging), 35(Advertising; business management; business administration; office functions) and 43(Services for providing food and drink; temporary accommodation) **(526):** Registration of this mark shall give no right to the exclusive use of the device of 'Human Beings' separately and apart from the mark as a whole. **(730):** TAMADUNI HUB LIMITED of P.O. Box 105060, Jamia, Nairobi, Kenya **(740):** CK & Associates Advocates of P.O. Box 56793 - 0020, Nairobi, Kenya

(210): 127917 **(220):** 19/05/2023**(300):** None **(511):** 5(Pharmaceutical and veterinary preparations; sanitary preparations for medical purposes; dietetic substances adapted for medical use, food for babies; plasters, materials for dressings; material for stopping teeth, dental wax; disinfectants; sanitizers) **(526):** Registration of this mark shall give no right to the exclusive use of the device of 'Kidneys' separately and apart from the mark as a whole. **(730):** REDEFINE HEALTHCARE LIMITED of P.O. Box 1119 - 00902, Nairobi, Kenya **(740):** None**(210):** 127918 **(220):** 19/05/2023**(300):** None **(511):** 5(Pharmaceutical and veterinary preparations; sanitary preparations for medical purposes; dietetic substances adapted for medical use, food for babies; plasters, materials for dressings; material for stopping teeth, dental wax; disinfectants; sanitizers) **(526):** Registration of this mark shall give no right to the exclusive use of the device of 'Kidneys' and 'Hands' each separately and apart from the mark as a whole. **(730):** REDEFINE HEALTHCARE LIMITED of P.O. Box 1119 - 00902, Nairobi, Kenya **(740):** None**ProNeph****(210):** 127928 **(220):** 22/05/2023**(300):** None **(511):** 3(Hair cosmetics and perfumery) **(526):** Registration of this mark shall give no right to the exclusive use of the words "BRAZIL WOOL" and "HAIR" each separately and apart from the mark as a whole. **(730):** BENS BEAUTY CENTRE AND COSMETICS LTD of P.O. Box 121 - 40200, Kisii, Kenya **(740):** None**(210):** 127933 **(220):** 22/05/2023**(300):** None **(511):** 20(Mattresses) **(526):** Registration of this mark shall give no right to the exclusive use of the words "MATTRESSES" and "COMFORT" each separately and apart from the mark as a whole. **(730):** MUNIWA ENTERPRISES LIMITED of P.O. Box 13100 - 00200, Nairobi, Kenya **(740):** None**(210):** 127934 **(220):** 22/05/2023**(300):** None **(511):** 20(Mattresses) **(526):** Registration of this mark shall give no right to the exclusive use of the words "Mattresses", "Salama", 'Sleep' and "Comfort" each separately and apart from the mark as a whole. **(730):** MUNIWA ENTERPRISES LIMITED of P.O. Box 13100 - 00200, Nairobi, Kenya **(740):** None**(210):** 127948 **(220):** 22/05/2023**(300):** None **(511):** 16(Paper and cardboard; printed matter; bookbinding material; photographs; stationery and office requisites, except furniture; adhesives for stationery or household purposes; drawing materials and materials for artists; paintbrushes; instructional and teaching materials; plastic sheets, films and bags for wrapping and packaging; printers' type, printing blocks.), 35(Advertising; business management; business administration; office functions.) and 42(Scientific and technological services and research and design relating thereto; industrial analysis, industrial research and industrial design services; quality control and authentication services; design and development of computer hardware and software.) **(526):** None **(730):** KENYA ACCREDITATION SERVICE a body corporate established under the state Corporations Act, Cap 446 of the Laws of Kenya of P.O. Box 47400 - 00100, Nairobi, Kenya **(740):** Wangechi Wahome of P.O. Box 47400 - 00100, Nairobi, Kenya

(210): 127949 **(220):** 22/05/2023

(300): None **(511):** 16(Paper and cardboard; printed matter; bookbinding material; photographs; stationery and office requisites, except furniture; adhesives for stationery or household purposes; drawing materials and materials for artists; paintbrushes; instructional and teaching materials; plastic sheets, films and bags for wrapping and packaging; printers' type, printing blocks.), 35(Advertising; business management; business administration; office functions.) and 42(Scientific and technological services and research and design relating thereto; industrial analysis, industrial research and industrial design services; quality control and authentication services; design and development of computer hardware and software.) **(526):** None **(730):** KENYA ACCREDITATION SERVICE a body corporate established under the state Corporations Act, Cap 446 of the Laws of Kenya of P.O. Box 47400 - 00100, Nairobi, Kenya **(740):** Wangechi Wahome of P.O. Box 47400 - 00100, Nairobi, Kenya



(210): 127950 **(220):** 22/05/2023

(300): None **(511):** 16(Paper and cardboard; printed matter; bookbinding material; photographs; stationery and office requisites, except furniture; adhesives for stationery or household purposes; drawing materials and materials for artists; paintbrushes; instructional and teaching materials; plastic sheets, films and bags for wrapping and packaging; printers' type, printing blocks.), 35(Advertising; business management; business administration; office functions.) and 42(Scientific and technological services and research and design relating thereto; industrial analysis, industrial research and industrial design services; quality control and authentication services; design and development of computer hardware and software.) **(526):** None **(730):** KENYA ACCREDITATION SERVICE a body corporate established under the state Corporations Act, Cap 446 of the Laws of Kenya of P.O. Box 47400 - 00100, Nairobi, Kenya **(740):** Wangechi Wahome of P.O. Box 47400 - 00100, Nairobi, Kenya



(210): 127952 **(220):** 22/05/2023

(300): None **(511):** 16(Paper and cardboard; printed matter; bookbinding material; photographs; stationery and office requisites, except furniture; adhesives for stationery or household purposes; drawing materials and materials for artists; paintbrushes; instructional and teaching materials; plastic sheets, films and bags for wrapping and packaging; printers' type, printing blocks.), 35(Advertising; business management; business administration; office functions.) and 42(Scientific and technological services and research and design relating thereto; industrial analysis, industrial research and industrial design services; quality control and authentication services; design and development of computer hardware and software.) **(526):** None **(730):** KENYA ACCREDITATION SERVICE a body corporate established under the state Corporations Act, Cap 446 of the Laws of Kenya of P.O. Box 47400 - 00100, Nairobi, Kenya **(740):** Wangechi Wahome of P.O. Box 47400 - 00100, Nairobi, Kenya



(210): 127953 **(220):** 22/05/2023

(300): None **(511):** 16(Paper and cardboard; printed matter; bookbinding material; photographs; stationery and office requisites, except furniture; adhesives for stationery or household purposes; drawing materials and materials for artists; paintbrushes; instructional and teaching materials; plastic sheets, films and bags for wrapping and packaging.) **(526):** None **(730):** PERSONETICS LIMITED of P.O. Box 499 - 80100, Mombasa, Kenya **(740):** None

DEMOSTIC ICE

(210): 127954 (220): 22/05/2023

(300): None (511): 3(Non-medicated cosmetics and toiletry preparations; nonmedicated dentifrices; perfumery, essential oils; bleaching preparations and other substances for laundry use; cleaning, polishing, scouring and abrasive preparations.)

(526): None (730): PERSONETICS LIMITED of P.O. Box 499 - 80100, Mombasa, Kenya (740): None

FLYING BIRD

(210): 127955 (220): 22/05/2023

(300): None (511): 11(Apparatus and installations for lighting, heating, cooling, steam generating, cooking, drying, ventilating, water supply and sanitary purposes.) (526): Registration of this mark shall give no right to the exclusive use of the letters "I", "Y" and the numerals "1", "8" and "9" each separately and apart from the mark as a whole. (730): PERSONETICS LIMITED of P.O. Box 499 - 80100, Mombasa, Kenya (740): None

YI 918

(210): 127960 (220): 22/05/2023

(300): None (511): 11(Apparatus and installations for lighting, heating, cooling, steam generating, cooking, drying, ventilating, water supply and sanitary purposes.) (526): Registration of this mark shall give no right to the exclusive use of the letters "H", "T" and the numerals "1" and "5" each separately and apart from the mark as a whole. (730): PERSONETICS LIMITED of P.O. Box 499 - 80100, Mombasa, Kenya (740): None

TH 5155

(210): 127961 (220): 22/05/2023

(300): None (511): 16(Paper and cardboard; printed matter; bookbinding material; photographs; stationery and office requisites, except furniture; adhesives for stationery or household purposes; drawing materials and materials for artists; paintbrushes; instructional and teaching materials; plastic sheets, films and bags for wrapping and packaging.) (526): TRegistration of this mark shall give no right to the exclusive use of the letter "T" and the numerals "3" each separately and apart from the mark as a whole (730): PERSONETICS LIMITED of P.O. Box 499 - 80100, Mombasa, Kenya (740): None



FIGRA-G

(210): 127963 (220): 22/05/2023

(300): None (511): 5(Pharmaceuticals) (526): Registration of this mark shall give no right to the exclusive use of the letter 'G' separately and apart from the mark as a whole. (730): FORZA LIFE SCIENCES LTD of P.O. Box 9857, Nairobi, Kenya (740): None

HYDROFOZ

(210): 127964 (220): 22/05/2023

(300): None (511): 5(Pharmaceuticals) (526): None (730): FORZA LIFE SCIENCES LTD of P.O. Box 9857, Nairobi, Kenya (740): None

CEFAZIT

(210): 127965 (220): 22/05/2023

(300): None (511): 5(Pharmaceuticals) (526): None (730): FORZA LIFE SCIENCES LTD of P.O. Box 9857, Nairobi, Kenya (740): None

FOZANIL

(210): 127966 (220): 22/05/2023

(300): None (511): 5(Pharmaceuticals) (526): None (730): FORZA LIFE SCIENCES LTD of P.O. Box 9857, Nairobi, Kenya (740): None

AZTREOFOZ

(210): 127967 (220): 22/05/2023

(300): None (511): 5(Pharmaceuticals) (526): None (730): FORZA LIFE SCIENCES LTD of P.O. Box 9857, Nairobi, Kenya (740): None

(210): 127983 (220): 24/05/2023
 (300): None (511): 3(Soap) (526): Registration of this mark shall give no right to the exclusive use of the words 'Minty', 'Natural', 'Soap' and the devices of 'leaf' each separately and apart from the mark as a whole. (730): CORDOBA PHARM NET of P.O. Box 22586, Nairobi, Kenya (740): None



(210): 127985 (220): 24/05/2023
 (300): None (511): 4(Industrial oils and greases, wax; lubricants; dust absorbing, wetting and binding compositions; fuels and illuminants; candles and wicks for lighting.) (526): Registration of this mark shall give no right to the exclusive use of the word 'Gas' each separately and apart from the mark as a whole. OLE is a Maasai word meaning 'Son of' and has no meaning in relation to goods. (730): MAGOLINK X-PRESS DISTRIBUTORS LIMITED of P.O. Box 63271 - 00619, Nairobi, Kenya (740): None



(210): 127988 (220): 24/05/2023
 (300): None (511): 5(Pharmaceutical) (526): None (730): DINLASPHARMA EPZ LTD of P.O. Box 22661 - 00505, Nairobi, Kenya (740): None

DANGYL

(210): 127989 (220): 24/05/2023
 (300): None (511): 5(Pharmaceutical) (526): None (730): DINLAS PHARMA EPZ LIMITED of P.O. Box 22661 - 00505, Nairobi, Kenya (740):

GABADIN

(210): 127990 (220): 24/05/2023
 (300): None (511): 5(Pharmaceutical) (526): None (730): DINLAS PHARMA EPZ LIMITED of P.O. Box 22661 - 00505, Nairobi, Kenya (740): None

CIPRODIN

(210): 127991 (220): 24/05/2023
 (300): None (511): 5(Pharmaceutical) (526): None (730): DINLAS PHARMA EPZ LIMITED of P.O. Box 22661 - 00505, Nairobi, Kenya (740): None

COFEST

(210): 127992 (220): 24/05/2023
 (300): None (511): 5(Pharmaceutical) (526): None (730): DINLAS PHARMA EPZ LIMITED of P.O. Box 22661 - 00505, Nairobi, Kenya (740): None

GRISODIN

(210): 127993 (220): 24/05/2023
 (300): None (511): 5(Pharmaceutical) (526): None (730): DINLAS PHARMA EPZ LIMITED of P.O. Box 22661 - 00505, Nairobi, Kenya (740): None

DINOX

(210): 127994 (220): 24/05/2023
 (300): None (511): 5(Pharmaceutical) (526): None (730): DINLAS PHARMA EPZ LIMITED of P.O. Box 22661 - 00505, Nairobi, Kenya (740): None

XORIB

(210): 127995 (220): 24/05/2023
 (300): None (511): 5(Pharmaceutical) (526): None (730): DINLAS PHARMA EPZ LIMITED of P.O. Box 22661 - 00505, Nairobi, Kenya (740): None

ASPAC

(210): 127996 (220): 24/05/2023
 (300): None (511): 5(Pharmaceutical) (526): None (730): DINLAS PHARMA EPZ LIMITED of P.O. Box 22661 - 00505, Nairobi, Kenya (740): None

DINFRO

(210): 127997 (220): 24/05/2023
 (300): None (511): 5(Pharmaceutical) (526): None (730): DINLAS PHARMA EPZ LIMITED of P.O. Box 22661 - 00505, Nairobi, Kenya (740): None

DIDOX

(210): 127998 (220): 24/05/2023
 (300): None (511): 5(Pharmaceutical) (526): None (730): DINLAS PHARMA EPZ LIMITED of P.O. Box 22661 - 00505, Nairobi, Kenya (740): None

DIHIST

(210): 127999 (220): 24/05/2023
 (300): None (511): 5(Pharmaceutical) (526): None (730): DINLAS PHARMA EPZ LIMITED of P.O. Box 22661 - 00505, Nairobi, Kenya (740): None

DINLORT

(210): 128009 (220): 24/05/2023
 (300): None (511): 30(Maize flour, Wheat Flour and preparations made from cereals) (526): Registration of this mark shall give no right to the exclusive use of the words 'MAIZE', 'MEAL' and the device of the 'maize cobs' each separately and apart from the mark as a whole. 'ANZAL' is Arabic for 'Get down' or 'Descent' (730): WABERI INDUSTRIES LIMITED of Swastik Business Centre, Mombasa Road, P. O. Box 26980 - 00100, Nairobi, Kenya (740): None



(210): 128020 (220): 24/05/2023
 (300): None (511): 30(Rice) (526): Registration of this mark shall give no right to the exclusive use of the letters 'M', 'R' and the words 'Rice', 'Aroma', 'Exquisite', 'Aged to perfection', 'Traditional taste', 'Long grain', 'Biryani', 'Best', 'Grade1', '25Kg net weight', '100%', 'Sortex', 'Premium Quality', 'India' and devices of 'Rice Bowl', 'Rice Plant' and 'Human Beings' each separately and apart from the mark as a whole. (730): AVIRA FOODS LIMITED of P.O. Box 3525, Mombasa, Kenya (740): None



(210): 128098 (220): 25/05/2023
 (300): None (511): 5(Pharmaceutical and veterinary preparations; sanitary preparations for medical purposes; dietetic substances adapted for medical use, food for babies; plasters, materials for dressings; material for stopping teeth dental wax; disinfectants; sanitizers) (526): None (730): DANES PHARMACY LTD of P.O. Box 774 - 00521, Nairobi, Kenya (740): None

LORATIS

(210): 128124 (220): 25/05/2023
 (300): None (511): 5(Pharmaceutical and veterinary preparations; sanitary preparations for medical purposes; dietetic substances adapted for medical use, food for babies; plasters, materials for dressings; materials for stopping teeth, dental wax; disinfectants; sanitizers) (526): None (730): ZAWADI HEALTHCARE LIMITED, a limited liability company duly incorporated under the laws of Kenya of P.O. Box 14629 - 00800, Maua Close, Westlands, Nairobi, Kenya (740): None

TIBAMAL

(210): 128134 (220): 26/05/2023
 (300): None (511): 38(Telecommunication services) (526): Registration of this mark shall give no right to the exclusive use of the words 'STAR', 'INSTRUMENT' and the device of the 'star' each separately and apart from the mark as a whole. (730): STAR INSTRUMENTS COMPANY LIMITED of P.O Box 4834 - 00200, Nairobi, Kenya (740): None

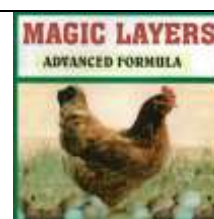


(210): 128158 (220): 29/05/2023
 (300): None (511): 3(Cosmetics (natural body butters, lip balm, massage oil, hair oil, body scrub, deodorant and soap) (526): None (730): RIMY'S NATURALS of P.O. Box 16651 - 00100, Nairobi, Kenya (740): None



(210): 128187 (220): 31/05/2023
 (300): None (511): 25(Goods - clothing, footwear, headwear) and 28(goods - sporting articles) (526): Registration of this mark shall give no right to the exclusive use of the letters "A", "S" and the word "SPORTS" each separately and apart from the mark as a whole. (730): POSEKO COMPANY LIMITED of Jethw A Mansion, Kilome Road, P.O. Box 22408 - 00505, Nairobi, Kenya (740): Anyango & Company Advocates of P.O. Box 22408 - 00505, Dagoretti Corner, Ngong Road, Nairobi, Kenya



(210): 128225 **(220):** 05/06/2023**(300):** None **(511):** 29(Milk Products) **(526):** Registration of this mark shall give no right to the exclusive use of the words 'SOLAI', 'HIGHLANDS', 'CHEDDAR', 'CHEESE' and the devices of a 'tree', 'cheese' and a 'cow' each separately and apart from the mark as a whole. **(730):** KENSALT LIMITED of P.O. Box 50315 - 00500, Nairobi, Kenya **(740):** None**(210):** 128226 **(220):** 05/06/2023**(300):** None **(511):** 29(Milk Products) **(526):** Registration of this mark shall give no right to the exclusive use of the words 'SOLAI', 'HIGHLANDS', 'MOZARELLA' and 'CHEESE' and the devices of a 'tree', 'cheese' and a 'cow' each separately and apart from the mark as a whole. **(730):** KENSALT LIMITED of P.O. Box 50315 - 00500, Nairobi, Kenya **(740):** None**(210):** 128227 **(220):** 05/06/2023**(300):** None **(511):** 29(Milk Products) **(526):** Registration of this mark shall give no right to the exclusive use of the words 'SOLAI', 'HIGHLANDS', 'GOUDA', 'CHEESE' and the devices of a 'tree', 'cheese' and a 'cow' each separately and apart from the mark as a whole. **(730):** KENSALT LIMITED of P.O. Box 50315 - 00500, Nairobi, Kenya **(740):** None**(210):** 128235 **(220):** 05/06/2023**(300):** None **(511):** 31(ANIMAL FEED) **(526):** Registration of this mark shall give no right to the exclusive use of the words 'MAGIC', 'LAYERS', 'ADVANCED', 'FORMULA' and the devices of a 'hen and the 'eggs' each separately and apart from the mark as a whole. **(730):** BIOSCIENCES KENYA LIMITED of P.O. Box 6238 - 00200, Nairobi, Kenya **(740):** None**(210):** 128236 **(220):** 05/06/2023**(300):** None **(511):** 31(Animal feed) **(526):** Registration of this mark shall give no right to the exclusive use of the words 'MAGIC', 'PIG', 'ADVANCED', 'FORMULA' and the devices of 'pigs' and 'animal feed' each separately and apart from the mark as a whole. **(730):** BIOSCIENCES KENYA LIMITED of P.O. Box 6238 - 00200, Nairobi, Kenya **(740):** None**(210):** 128239 **(220):** 05/06/2023**(300):** None **(511):** 12(Electric vehicles) **(526):** Registration of this mark shall give no right to the exclusive use of the words 'CHAJA', 'CLEANER', 'POWERING' and the device of the 'power flash' each separately and apart from the mark as a whole. 'CHAJA' is a Kiswahili word which means charging device in English **(730):** FRANCIS KANYIRI MUNGAI of P.O. Box 10635 - 00400, Nairobi, Kenya **(740):** None**(210):** 128324 **(220):** 08/06/2023**(300):** None **(511):** 30(Coffee) **(526):** Registration of this mark shall give no right to the exclusive use of the words 'Solai' 'Highlands', 'Coffee' and device of 'coffee berries', 'coffee beans' and 'leaves' each separately and apart from the mark as a whole. **(730):** KENSALT LIMITED of P.O. Box 50315 - 00200, Nairobi, Kenya **(740):** None

11.2 Withdrawal

103467	09/08/2018	Rosupin (and logo)	5	MEDFO KENYA LTD,
120147	18/11/2021	KING ROBERT II (and logo)	33	MAGNUM VENTURES LTD
121386	17/02/2022	MOBI (and logo)	12 & 16	THE WORLDSHARE CORPORATION LIMITED
122551	23/05/2022	SHIKIBO (and logo)	25	OMEGA APPARELS LIMITED
122841	16/06/2022	DIFLOX OZ	5	DINLAS PHARMA EPZ LIMITED
124452	07/10/2022	Medimpact Healthcare (and logo)	44	ARMHOLD HEALTHCARE LIMITED
125170	15/11/2022	TRADENTA	5	SIMBA PHARMACEUTICALS LTD

11.3 Alteration

(111) Mark number: 104533

(730) Proprietor: **TAKA TAKA NI MALI FOUNDATION** of P.O. Box 15518 - 00509, Lunga lunga Square, Industrial Area, Nairobi, Kenya

(511) Classes: 36 & 45

(750) Address for service:

(580) The mark is amended so that henceforth it appears as shown here under:



(111) Mark number: 112729

(730) Proprietor: **RAPID COSMETIC ENTERPRISE LTD** of P.O. Box 98982 - 80100, Mombasa, Kenya

(511) Class: 3

(750) Address for service:

(580) The mark is amended so that henceforth it appears as shown here under



(111) Mark number: 113517

(730) Proprietor: **BAKHSONS DISTRIBUTORS LIMITED** of P.O. Box 81214 - 80100, Mombasa, Kenya

(511) Classes: 3 & 5

(750) Address for service:

(580) The mark is amended so that henceforth it appears as shown here under:



11.4 Alteration of goods

(111) Mark number: 61760

(730) Proprietor: **TILE & CARPET CENTRE** of Parkside Towers Mombasa Rd., P.O. Box 3115 - 00200, Nairobi, Kenya

(511) Classes: 20 & 21

(750) Address for service: **Coulson Harney Advocates** of P. O. Box 10643 - 00100, Nairobi, Kenya

(580) The list of goods and services is amended so that henceforth it appears as shown here under
20 (Water and sanitation tanks) 21 (Household or kitchen utensils and containers; combs and sponges; brushes except paint brushes; brush-making materials; articles for cleaning purposes; unworked or semi-worked glass (except building glass; glassware, porcelain and earthenware).

(111) Mark number: 113517

(730) Proprietor: **BAKHSONS DISTRIBUTORS LIMITED** of P.O. Box 81214 - 80100, Mombasa, Kenya

(511) Classes: 3 & 5

(750) Address for service:

(580) The list of goods and services is amended so that henceforth it appears as shown here under:

3 (Bleaching preparations and other substances for laundry use, cleaning, polishing, scouring and abrasive preparations, soaps, perfumery, essential oils, cosmetics, hair lotions and dentrifices) and 5 (Sanitary pads & Towels, Diapers)

11.5 Abandonment

114502	02/11/2020	Quench Health Juice (and logo)	32	LANDIMU ENTERPRISES
115023	07/12/2020	ROBOCOP	5	EXPORT TRADING COMPANY INPUTS KENYA LTD
119211	14/09/2021	STAR LIGHT	3	SUNHILL INDUSTRIES LIMITED
120396	06/12/2021	DAZEL KIT	5	AJANTA PHARMA LIMITED

11.6 Removal

Section 23 of the Trade Marks Act provides that registration of a trade mark in Kenya shall expire after a period of **ten (10) years**. The Act also provides that the proprietor of a registered trade mark may make an application for renewal of the trade mark upon completion of the prescribed Form TM 10 and payment of the prescribed renewal fee.

Rule 65 of the Trade Mark Rules provides that where no application for renewal of a registered trade mark is received upon expiry of the ten year period, the Registrar of Trade Marks shall notify the proprietor of this fact. Where no application for renewal of the registered trade mark is received within a period of **sixty (60) days** from the date of the notice for renewal by the Registrar, rule 67 of the Trade Mark Rules requires the Registrar of Trade Marks to publish this fact.

In accordance with the above provisions, the Registrar of Trade Marks hereby notifies the public that the proprietors of the trade marks indicated below were duly notified and that they did not file applications for renewal of their respective trade marks.

In accordance with the provisions of rules 67 and 68 of the Trade Mark Rules, the public is hereby notified as follows:

- (a) Where the proprietor of a registered trade mark makes an application for renewal of a mark that has been published herein and pays the renewal fee together with the additional prescribed late renewal fee **within thirty (30) days** from the date of this publication, the trade mark shall be renewed and shall not be removed from the Register of Trade Marks;
- (b) Where no application for renewal of a trade mark published herein is received **within thirty (30) days** from the date of this publication, the trade mark shall be forthwith removed from the Register of Trade Marks; and

Once the trade mark is removed from the Register of Trade Marks, the proprietor may thereafter make an application for renewal of the mark upon payment of the prescribed renewal fee together with the additional prescribed restoration fee. The trade mark shall then be restored to the Register of Trade Marks upon the Registrar of Trade Marks being satisfied that it is just to do so and upon imposing such conditions as the Registrar may deem fit.

TM. No.	Date of Application	Trade Mark	Class	Registered Proprietor	Expiry Date
42965	15/08/1995	VANILLA IMPRESSIONS	5	RECKITT & COLMAN (OVERSEAS)	August 15, 2002
42968	15/08/1995	VANILLA BLOSSOMS	5	RECKITT & COLMAN (OVERSEAS)	August 15, 2002

64351	30/10/2008	CHEF MOTO MOTO (and logo)	30	ROLLFAST HOLDINGS LIMITED	October 30, 2018
-------	------------	---------------------------	----	---------------------------	------------------

11.7 Corrigenda

(111) Mark number: **63882**

(540) Trade Mark:



(511) Class: **3 and 5**

(442) Date of advertisement: **31st March, 2023**

(580) Corrections

1. The applicant name should correctly read:

HIMALAYA GLOBAL HOLDINGS LTD.

2. Classification of goods, class 30 should not have been included.

.....

(111) Mark number: **121525**

(540) Trade Mark:



(511) Class: **9, 35 and 44**

(442) Date of advertisement: **31st December, 2022**

(581) Corrections

The applicant's name and address should correctly read **SPECSAVERS OPTICAL SUPERSTORES LIMITED**, a company registered in England and Wales (registered number 01721624) of Forum 6 Parkway, Solent Business Park, Whitekey, Fareham, PO15 7PA, United Kingdom

.....

(111) Mark number: **124627**

(540) Trade Mark:



(511) Class: **935 and 36**

(442) Date of advertisement: **31st March, 2023**

(582) Corrections

Classification of goods, class 9 should correctly appear as below:-

9 (Computer hardware and downloadable software for facilitating and administering payment transactions, banking transactions, and payment card services; computer hardware and downloadable software for electronic processing and transmission of bill payment data; computer hardware and downloadable software for cash disbursement services, automatic teller machine services, transaction authentication, routing, authorization and settlement services, fraud detection and control, disaster recovery and encryption services; telecommunication and electrical apparatus and instruments, namely, apparatus for the recording, transmission and reproduction of data including sound and images; accounting machines; apparatus for tracking, management and analysis of financial accounts via a global computer network; computer hardware and downloadable software, namely, for the development, maintenance and use of local and wide area computer networks; s stems for reading memo cards and s stems for bank cards, credit

cards, debit cards and payment cards; cash dispensing machines; parts and fittings for all the aforesaid goods).

11.8 Madrid Applications accepted for registration

The following are the marks whose international registration has been notified to Kenya as a designated contracting Party by the International Bureau, World Intellectual Property Organization (WIPO) and which are governed by the Madrid Agreement and the Madrid Protocol. The prescribed period of twelve (12) months and eighteen months (18) respectively for refusal of the marks commences from the notification date indicated herein for each mark.

NOTICE is given that any person who has grounds of opposition to the registration of any of the marks may, in accordance with the provisions of rule 11(1) of the Trade Marks (International Registration) Rules 2003, file a notice of opposition within sixty (60) days from the date of this Journal on form TM. No. 6 (in duplicate) together with a fee of Ksh 5,000/= (Kenyan residents) or US\$ 250 (non residents).

The period of filing the notice of opposition may be extended by the Registrar of Trade Marks as prescribed in the Trade Mark Rules. Any request for such extension should be made to the Registrar before the expiry of the sixty (60) day statutory period.

All the details of the marks advertised herein are available on WIPO's website www.wipo.int/romarin

(210): 144637 (151): 26/10/2022

(511): 7 and 12

(732): ŠKODA AUTO a.s. of tr. Václava Klementa 869, Mladá Boleslav CZ-293 01 Mladá Boleslav II, Czech Republic



ŠKODA
NURSIE

(210): 384942 (151): 18/10/2022

(511): 5 and 29

(732): COMPAGNIE GERVAIS DANONE of 17 boulevard Haussmann F-75009 PARIS, France



BACALHÔA

(210): 1248157 (151): 26/10/2022

(511): 33

(732): BACALHÔA - VINHOS DE PORTUGAL, S.A. of Estrada Nacional Nº 10, apartado 54, Vila Nogueira de Azeitão P-2925-742 SETÚBAL, Portugal



VOX

(210): 1332926 (151): 27/10/2022

(511): 19, 20 and 35

(732): Meble Vox Spółka z ograniczona odpowiedzialnoscia Spółka Komandytowa of ul. Gnieznienska 26/28, Janikowo PL-62-006 Kobylnica, Poland



AKRAPOVIČ

(210): 1353222 (151): 20/02/2023

(511): 6, 7, 12, 25, 35, 40 and 41

(732): IGOR AKRAPOVIC of Rožna Dolina C.VIII/10A SI-1000 LJUBLJANA, Slovenia



AKRAPOVIČ

(210): 1353223 (151): 20/02/2023

(511): 6, 7, 12, 25, 35, 40 and 41

(732): IGOR AKRAPOVIC of Rožna Dolina C.VIII/10A SI-1000 LJUBLJANA, Slovenia



AKRAPOVIČ

(210): 1353224 (151): 20/02/2023

(511): 6, 7, 12, 25, 35, 40 and 41

(732): IGOR AKRAPOVIC of Rožna Dolina C.VIII/10A SI-1000 LJUBLJANA, Slovenia

(210): 1353487 (151): 20/02/2023
 (511): 6, 7, 12, 25, 35, 40 and 41
 (732): Igor Akrapovic of Rožna dolina c. VIII/10 A SI-1000 Ljubljana, Slovenia



(210): 1388778 (151): 21/11/2022
 (511): 3, 6, 7, 8, 9, 11, 12, 14, 15, 16, 20, 21, 24, 26, 27, 28, 32, 33, 34, 35, 38, 39, 41, 42 and 43
 (732): Marshall Amplification Plc of Denbigh Road, Bletchley Milton Keynes MK1 1DQ, United Kingdom



(210): 1403118 (151): 10/01/2023
 (511): 20 and 24
 (732): Hästens Sängar AB of P.O. Box 130 Köping SE-731 23, Sweden

MARANGA

(210): 1457904 (151): 17/11/2022
 (511): 9
 (732): Jiangxi Baiying High-Tech Holdings Co., LTD of Industrial Park, Yujiang County, Yingtan City 335200 Jiangxi Province, China



(210): 1495497 (151): 24/09/2019
 (511): 12, 25 and 28
 (732): GUANGDONG OPPO MOBILE TELECOMMUNICATIONS CORP., LTD. of No.18 Haibin Road, Wusha, Chang'an, Dongguan Guangdong, China



(210): 1534244 (151): 26/10/2022
 (511): 33
 (732): CASA TRADICION, S.A. DE C.V. of AMADO NERVO 2200, TORRE BIO 6 INTERIOR 601, COLONIA JARDINES DEL SOL 45050 ZAPOPAN, JALISCO, Mexico

CLASE AZUL

(210): 1556374 (151): 21/11/2022
 (511): 9, 16, 35, 36, 37, 38, 41 and 42
 (732): International Business Machines Corporation of New Orchard Road Armonk New York 10504, United States of America

IBM

(210): 1556512 (151): 21/11/2022
 (511): 9, 16, 35, 36, 37, 38, 41 and 42
 (732): International Business Machines Corporation of New Orchard Road Armonk New York 10504, United States of America



(210): 1581477 (151): 28/10/2022
 (511): 29 and 30
 (732): F.DIVELLA S.P.A. of Largo Domenico Divella 1 I-70018 Rutigliano (Bari), Italy

DIVELLA

(210): 1586075 (151): 18/11/2022
 (511): 31
 (732): De Ruiters Intellectual Property B.V. of Meerlandenweg 55 NL-1187 ZR Amstelveen, Netherlands

Dimension

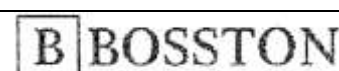
(210): 1589321 (151): 12/12/2022
 (511): 11
 (732): Huizhou Elant Technology Co., Ltd of Plant of No. 24 Community, Jiangbei, Huicheng District, Huizhou City Guangdong Province, China



(210): 1614008 (151): 20/10/2022
 (511): 36 and 42
 (732): Minterest Association of Dammstrasse 16 CH-6300 Zug, Switzerland

MINTEREST

(210): 1620799 (151): 17/11/2022
 (511): 34
 (732): BMC GLOBAL TRADING of Lot 203-1A Jalan Tiram, Kawasan Perindustrian Bayan Lepas, 11900 Bayan Lepas Pulau Pinang, Malaysia



(210): 1641351 (151): 21/11/2022
 (511): 29 and 30
 (732): Nisshin Seifun Group Inc. of 25, Kanda-Nishiki-cho 1-chome, Chiyoda-ku Tokyo 101-8441, Japan



(210): 1642604 (151): 21/11/2022
(511): 29 and 30
(732): Nisshin Seifun Group Inc. of 25, Kanda-Nishiki-cho 1-chome, Chiyoda-ku Tokyo 101-8441, Japan



(210): 1642605 (151): 21/11/2022
(511): 29 and 30
(732): Nisshin Seifun Group Inc. of 25, Kanda-Nishiki-cho 1-chome, Chiyoda-ku Tokyo 101-8441, Japan



(210): 1647102 (151): 02/12/2022
(511): 9, 18, 25, 35, 38, 41, 42 and 45
(732): BeReal of 30 / 32 boulevard de Sébastopol F-75004 Paris, France

BeReal

(210): 1654180 (151): 17/11/2022
(511): 5
(732): Dare Bioscience, Inc. of 3655 Nobel Drive, Suite 260 San Diego CA 92122, United States of America

XACIATO

(210): 1668736 (151): 18/11/2022
(511): 7
(732): TAIZHOU CITY SUNSURE IMPORT & EXPORT CO., LTD of Room 1906, No. 4 Building, Wanda Plaza, Taizhou Zhejiang, China



(210): 1674607 (151): 09/11/2022
(511): 25
(732): Hero MotoCorp Limited of The Grand Plaza, Plot No.2, Nelson Mandela Road, Vasant Kunj - Phase -ii New Delhi 110070, India



(210): 1674730 (151): 09/11/2022
(511): 37
(732): Hero MotoCorp Limited of The Grand Plaza, Plot No.2, Nelson Mandela Road, Vasant Kunj - Phase -ii New Delhi 110070, India

VIDA

(210): 1674739 (151): 09/11/2022
(511): 12
(732): Hero MotoCorp Limited of The Grand Plaza, Plot No.2, Nelson Mandela Road, Vasant Kunj - Phase -ii New Delhi 110070, India



(210): 1674743 (151): 09/11/2022
(511): 28
(732): Hero MotoCorp Limited of The Grand Plaza, Plot No.2, Nelson Mandela Road, Vasant Kunj - Phase -ii New Delhi 110070, India

VIDA

(210): 1674783 (151): 09/11/2022
(511): 16
(732): Hero MotoCorp Limited of The Grand Plaza, Plot No.2, Nelson Mandela Road, Vasant Kunj - Phase -ii New Delhi 110070, India

VIDA

(210): 1674785 (151): 09/11/2022
(511): 37
(732): Hero MotoCorp Limited of The Grand Plaza, Plot No.2, Nelson Mandela Road, Vasant Kunj - Phase -ii New Delhi 110070, India



(210): 1674988 (151): 09/11/2022
(511): 35
(732): Hero MotoCorp Limited of The Grand Plaza, Plot No.2, Nelson Mandela Road, Vasant Kunj - Phase -ii New Delhi 110070, India



(210): 1676638 (151): 09/11/2022

(511): 9

(732): Hero MotoCorp Limited of The Grand Plaza, Plot No.2, Nelson Mandela Road, Vasant Kunj - Phase -ii New Delhi 110070, India



(210): 1689166 (151): 31/10/2022

(511): 30

(732): Loc Troi Group Joint-Stock Company of 23 Ha Hoang Ho Street, My Xuyen Ward, Long Xuyen City An Giang Province, Viet Nam

COM V Ệ T N A M R I C E

(210): 1689990 (151): 17/11/2022

(511): 9

(732): GUANGDONG OPPO MOBILE TELECOMMUNICATIONS CORP., LTD. of No.18 Haibin Road, Wusha, Chang'an, Dongguan Guangdong, China

oppo

(210): 1690918 (151): 20/10/2022

(511): 6, 7, 9, 11, 19, 35, 41 and 42

(732): The Segen Group Limited of Wesley Hall, Barrack Road Aldershot, Hampshire GU11 3NP, United Kingdom



(210): 1692670 (151): 16/11/2022

(511): 1, 2, 3, 9, 17, 19, 35, 37, 39, 40 and 41

(732): SAINT-GOBAIN WEBER of 2-4 rue Marco Polo F-94370 SUCY-EN-BRIE, France

weber

(210): 1696560 (151): 26/10/2022

(511): 33

(732): BACALHÔA - VINHOS DE PORTUGAL, S.A. of ESTRADA NACIONAL N° 10, APARTADO 54, VILA NOGUEIRA DE AZEITÃO P-2925-742 SETÚBAL, Portugal

JP AZEITÃO

(210): 1697176 (151): 25/10/2022

(511): 43

(732): SUSHI JIRO IP PTY LTD of Level 7, SE 1 520 Collins St Melbourne VIC 3000, Australia

SUSHI JIRO 寿司次郎

(210): 1697290 (151): 25/10/2022

(511): 33

(732): Constellation Brands U.S. Operations, Inc. of 235 NORTH BLOOMFIELD ROAD Canandaigua NY 14424, United States of America

VINT

(210): 1697694 (151): 26/10/2022

(511): 5

(732): Acino Pharma AG of Birsweg 2 CH-4253 Liesberg, Switzerland

Glyfenda

(210): 1701717 (151): 17/11/2022

(511): 21

(732): Dart Industries Inc. of 14901 S. Orange Blossom Trail Orlando FL 32837, United States of America

TUPPERWARE
GOURMET

(210): 1702517 (151): 18/11/2022

(511): 18 and 25

(732): Deichmann SE of Deichmannweg 9 45359 Essen, Germany



(210): 1702833 (151): 22/11/2022

(511): 9

(732): Oakley, Inc. of One Icon Foothill Ranch CA 92610, United States of America

PRIZM GAMING

(210): 1703854 (151): 18/11/2022

(511): 7 and 37

(732): Reconomy (UK) Limited of Kelsall House, Stafford Court, Stafford Park 1 Telford, Shropshire TF3 3BD, United Kingdom

ECOVEND

(210): 1704356 (151): 21/11/2022

(511): 45

(732): Mark Morales of 15025 N. 74th Street Scottsdale AZ 85260, United States of America

PEEP IT

(210): 1705181 (151): 23/09/2022

(511): 3, 9, 14, 18, 25 and 28

(732): GIORGIO ARMANI S.P.A. of Via Borgonuovo, 11 I-20121 MILANO (Milano), Italy



(210): 1705716 (151): 02/11/2022

(511): 14

(732): Montres Tudor SA of Rue François-Dussaud 3 CH-1211 Genève 26, Switzerland

BLACK BAY 58

(210): 1707151 (151): 17/10/2022

(511): 9, 35 and 41

(732): SOCIETE BIC of 12-22 boulevard Victor Hugo F-92110 Clichy, France



(210): 1707531 (151): 21/10/2022

(511): 42 and 44

(732): VISMEDERI HOLDING S.R.L. UNIPERSONALE of VIA FRANCO FERRINI, 53 - LOC. TOGNAZZA - SAN MARTINO I-53035 MONTERIGGIONI (SI), Italy



(210): 1707751 (151): 07/10/2022

(511): 41 and 44

(732): Bayer Aktiengesellschaft of Kaiser-Wilhelm-Allee 51373 Leverkusen, Germany



(210): 1709557 (151): 20/10/2022

(511): 9

(732): Guangzhou JAV Electric Appliances Co., Ltd. of 32 Xixiu Road, Xinhua Street, Huadu District, Guangzhou City Guangdong, China

JAV

(210): 1709987 (151): 05/10/2022

(511): 9, 28 and 41

(732): Euro Games Technology Ltd. of 4, "Maritsa" Str. "Vranya-Lozen-Triugulnika" BG-1151 Sofia, Bulgaria



(210): 1709988 (151): 12/10/2022

(511): 26

(732): THOMAS DYNAMIC MATERIAL (JIANGSU) CO., LTD. of No.18 Hexin Road, Xishan Economic Development Zone 214000 Wuxi, Jiangsu, China



(210): 1709999 (151): 09/11/2022

(511): 36

(732): HYUNDAI MOTOR COMPANY of 12, Heolleung-ro, Seocho-gu Seoul 06797, Republic of Korea



(210): 1710114 (151): 17/10/2022

(511): 10 and 44

(732): BTL Industries of Tzar Kaloyan str 8 BG-1000 Sofia, Bulgaria

EMGLOW

(210): 1710184 (151): 22/09/2022
 (511): 35, 39 and 41
 (732): TÜRKİYE TURİZM TANITIM VE GELİSTİRME AJANSI of Esentepe Mahallesi, Büyükdere Caddesi, Astoria 127 B 71 Sisli - Istanbul, Turkey



(210): 1710185 (151): 05/10/2022
 (511): 9, 28 and 41
 (732): Euro Games Technology Ltd. of 4, "Maritsa" Str. "Vranya-Lozen-Triugulnika" BG-1151 Sofia, Bulgaria



(210): 1710187 (151): 18/10/2022
 (511): 10 and 44
 (732): BTL Industries of Tzar Kaloyan str 8 BG-1000 Sofia, Bulgaria

HIFES

(210): 1710192 (151): 31/10/2022
 (511): 30 and 32
 (732): FERAL S.R.L. SOCIETA' BENEFIT of LOCALITA' MASO PARTI 2A I-38017 MEZZOLOMBARDO (TN), Italy

FERAL

(210): 1710361 (151): 12/10/2022
 (511): 3
 (732): VISAGE LINES PERSONAL CARE PRIVATE LTD of B3/190, Paschim Vihar New Delhi 110063, India



(210): 1710446 (151): 18/10/2022
 (511): 35, 36, 42 and 44
 (732): INTRINSIC EXCHANGE GROUP, INC. of Suite 300-600, 435 Merchant Walk Square Charlottesville VA 22902, United States of America

INTRINSIC EXCHANGE GROUP

(210): 1710964 (151): 24/10/2022
 (511): 6 and 9
 (732): WUXI PUTIAN IRON CORE CO.,LTD. of Zhangjing Industrial Area, Xibei Town, Xishan District, Wuxi 214000 Jiangsu, China



(210): 1711107 (151): 08/11/2022
 (511): 35
 (732): Nabtesco Service Co., Ltd. of 10-2, Higashigotanda 2-chome, Shinagawa-ku Tokyo 141-0022, Japan



(210): 1711239 (151): 26/10/2022
 (511): 9
 (732): ADESSO, INC. of 20659 Valley Blvd. Walnut CA 91789, United States of America

ADESSO

(210): 1711429 (151): 05/10/2022
 (511): 9, 28 and 41
 (732): Euro Games Technology Ltd. of 4, "Maritsa" Str. "Vranya-Lozen-Triugulnika" BG-1151 Sofia, Bulgaria



(210): 1711443 (151): 30/12/2022
 (511): 4
 (732): KHUELL PETROKIMYA OTOMOTIV SANAYI VE TICARET ANONIM SIRKETI of AYDINLI KOSB MAH.AROMATIK CAD.NO:51 Tuzla Istanbul, Turkey



(210): 1711772 **(151):** 24/10/2022

(511): 6 and 7

(732): GANZHOU ACHTECK TOOL TECHNOLOGY CO., LTD of Gongye Third Road, Ganzhou Economic Development Area Jiangxi Province, China



HONOR Sound

(210): 1712283 **(151):** 25/10/2022

(511): 9

(732): Honor Device Co., Ltd. of Suite 3401, Unit A, Building 6, Shum Yip Sky Park, No. 8089, Hongli West Road, Xiangmihu Street, Futian District, Shenzhen 518040 Guangdong, China

(210): 1712865 **(151):** 16/09/2022

(511): 35, 41, 42 and 44

(732): VIVAGRO of Technopole Montesquieu, 5 allée Jacques Latrille F-33650 MARTILLAC, France



MagicOS

(210): 1713022 **(151):** 21/10/2022

(511): 9

(732): Honor Device Co., Ltd. of Suite 3401, Unit A, Building 6, Shum Yip Sky Park, No. 8089, Hongli West Road, Xiangmihu Street, Futian district, Shenzhen 518040 Guangdong, China

(210): 1713309 **(151):** 03/10/2022

(511): 3, 4 and 35

(732): DIPTYQUE S.A.S. of 34 boulevard Saint Germain F-75005 Paris, France



(210): 1713437 **(151):** 12/10/2022

(511): 9, 38, 39 and 42

(732): Space Exploration Technologies Corp. of 1 Rocket Road Hawthorne CA 90250, United States of America

(210): 1713641 **(151):** 24/10/2022

(511): 3, 35, 41 and 42

(732): CAPGEMINI CONSULTING of 145-151 quai du Président Roosevelt F-92130 Issy-les-Moulineaux, France



EcoBeautyScore
CONSORTIUM

(210): 1713779 **(151):** 27/10/2022

(511): 9, 35, 38, 41 and 42

(732): International Business Machines Corporation of New Orchard Road Armonk NY 10504, United States of America

(210): 1713851 **(151):** 23/09/2022

(511): 1, 5, 29, 30 and 32

(732): CARGILL AGRÍCOLA S.A. of Avenida Doutor Chucri Zaidan, n° 1240 - 6° andar - Torre Diamond 04711-130 São Paulo, Brazil



(210): 1714357 **(151):** 30/09/2022

(511): 32 and 35

(732): AVEKA GIDA TICARET LIMITED SIRKETI of GÜZELBAG MAH. 2682 SK., TURKUAZ APT. TURKUAZ APT. 18 10, MURATPASA ANTALYA, Turkey



(210): 1715727 **(151):** 07/01/2022

(511): 9

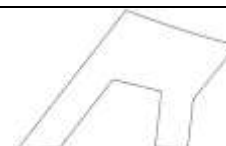
(732): ONKA ELEKTRİK MALZEMELERİ SANAYİ VE TICARET LIMITED SİRKETİ of İNÖNÜ MAH GEBZE PLASTİKÇİLER OSB MAH. CUMHURİYET CAD. 27 Gebze Kocaeli, Turkey



(210): 1715738 **(151):** 07/12/2022

(511): 18 and 25

(732): SANTONI SOCIETA' PER AZIONI of Via Monte Napoleone 9 I-20121 MILANO (MI), Italy



(210): 1716063 (151): 07/12/2022
 (511): 9, 12, 35, 37, 39, 41 and 42
 (732): MSC MEDITERRANEAN SHIPPING COMPANY HOLDING SA of
 Chemin Rieu 12-14 CH-1208 Genève, Switzerland



(210): 1716118 (151): 28/10/2022
 (511): 36
 (732): V.B.M. Technologies Ltd of Esperidon 33, Mouttagiaka CY-
 4527 Limassol, Cyprus



(210): 1716120 (151): 24/10/2022
 (511): 5
 (732): FRUITBUDDY AUSTRALIA PTY LTD of Level 8, 1 O'Connell St
 SYDNEY NSW 2000, Australia

MOODICINAL

(210): 1716764 (151): 26/10/2022
 (511): 7, 9, 11, 37 and 42
 (732): Benninghoven Zweigniederlassung der Wirtgen Mineral
 Technologies GmbH of Benninghovenstraße 1 54516 Wittlich,
 Germany

REVOC-SYSTEM

(210): 1716834 (151): 24/10/2022
 (511): 3, 7, 8, 9, 11, 21, 30, 35, 37, 41 and 42
 (732): UCCELLO LIMITED of 12 New Fetter Lane London EC4A 1JP,
 United Kingdom

VERSUNI

(210): 1717467 (151): 02/12/2022
 (511): 5 and 10
 (732): MARIN HIJYEN ÜRÜNLERİ SANAYİ VE TİCARET ANONİM ŞİRKETİ
 of 13 MART MAH. VALİ OZAN CAD. CAN PLAZA 80 23 Artuklu Mardin,
 Turkey

**Ponie
baby**

(210): 1717626 (151): 19/10/2022
 (511): 9, 14, 28, 35, 36, 38, 41, 42 and 45
 (732): Montres Tudor SA of Rue François-Dussaud 3 CH-1211 Genève
 26, Switzerland

TUDOR

(210): 1717627 (151): 19/10/2022
 (511): 9, 14, 28, 35, 36, 38, 41, 42 and 45
 (732): ROLEX SA of Rue François-Dussaud 3-5-7 CH-1211 Genève 26,
 Switzerland

ROLEX

(210): 1717937 (151): 27/10/2022
 (511): 9, 35, 36 and 42
 (732): PayPal, Inc. of 2211 North First Street San Jose CA 95131,
 United States of America



(210): 1718397 (151): 03/10/2022
 (511): 9 and 41
 (732): SARF LTD of christaki kranou 3, office 101 CY-4047 Limassol,
 Cyprus

IQpari

(210): 1718398 (151): 03/10/2022
 (511): 9 and 41
 (732): SARF LTD of christaki kranou 3, office 101 CY-4047 Limassol,
 Cyprus

PARIKINGS

(210): 1718684 (151): 05/10/2022
 (511): 3 and 35
 (732): Grygorovych Svitlana Anatoliivna of vul. Shepeleva, 4, kv. 1
 Kiev 03061, Ukraine

**kodi
professional**

(210): 1718815 (151): 13/10/2022
 (511): 4, 9, 19 and 35
 (732): GLOBAL ENERGY GROUP, SIA of Ropažu iela 7 - 8 LV-1039
 Riga, Latvia

GEG | GLOBAL
ENERGY
GROUP

(210): 1718862 (151): 28/11/2022
(511): 7 and 12
(732): Schaeffler Technologies AG & Co. KG of Industriestr. 1-3
91074 Herzogenaurach, Germany

LuK RepSet

(210): 1719231 (151): 05/12/2022
(511): 9, 35, 36 and 42
(732): Masref Inc. of 169 Madison Avenue, #2190 New York NY
10016, United States of America

NSAVE

(210): 1719341 (151): 09/12/2022
(511): 9, 25, 30, 35, 38, 41 and 42
(732): Huanxiu Technology (Shanghai) Co., Ltd. of 16th Floor, No.
129 Yan'an West Road, Jing'an District 200040 Shanghai City, China



(210): 1719393 (151): 20/12/2022
(511): 10
(732): Shanghai United Imaging Healthcare Co., Ltd. of No. 2258
Chengbei Rd., Jiading District Shanghai, China

uMC

(210): 1719449 (151): 05/12/2022
(511): 3
(732): Zhejiang Jinghui Cosmetics Share Co., Ltd. of NO. 8 Anshang
Road, Niansanli Street, Yiwu City 322000 Zhejiang, China

V.V.LOVE

(210): 1719472 (151): 08/12/2022
(511): 7 and 11
(732): NINGBO BOC INTERNATIONAL TRADING CO.,LTD of ROOM 6-2
NO. 1 OF GUIDE FUTURE MANSION, HI-TECH DISTRICT, NINGBO
ZHEJIANG, China

SUPER PARTS

(210): 1719653 (151): 14/12/2022
(511): 12
(732): PIRELLI & C. S.P.A. of Viale Piero e Alberto Pirelli 25 I-20126
Milano, Italy



(210): 1719723 (151): 02/11/2022
(511): 9, 28, 41 and 42
(732): Euro Games Technology Ltd. of 4, "Maritsa" Str., "Vranya-
Lozen-Triugulnika" BG-1151 Sofia, Bulgaria



(210): 1719929 (151): 13/10/2022
(511): 9, 16, 41 and 45
(732): Campus Crusade for Christ, Inc. of 100 Lake Hart Drive -
3500, Attn: General Counsel's Office IP Team Orlando FL 32832,
United States of America

LEADERIMPACT

(210): 1720390 (151): 16/12/2022
(511): 9, 35, 38, 41 and 42
(732): International Business Machines Corporation of New Orchard
Road Armonk NY 10504, United States of America

DIGEYS

(210): 1720391 (151): 16/12/2022
(511): 9, 35, 41 and 42
(732): International Business Machines Corporation of New Orchard
Road Armonk NY 10504, United States of America

**IBM CLIENT
ENGAGEMENT MODEL**

(210): 1720392 (151): 16/12/2022
(511): 9, 35, 41 and 42
(732): International Business Machines Corporation of New Orchard
Road Armonk NY 10504, United States of America

ICEM

(210): 1720513 (151): 12/10/2022
(511): 34
(732): The New Ways B.V. of Gyrocoopweg 2 N NL-1042 AB
Amsterdam, Netherlands

G-ROLLZ

(210): 1720524 (151): 02/11/2022
(511): 9, 28, 41 and 42
(732): Euro Games Technology Ltd. of 4, "Maritsa" Str., "Vranya-
Lozen-Triugulnika" BG-1151 Sofia, Bulgaria



(210): 1720851 (151): 02/11/2022
(511): 9, 28, 41 and 42
(732): EGT DIGITAL LTD. of 6, "Panorama Sofia" Str., Business Center "Richhill", block A BG-1766 Sofia, Bulgaria



(210): 1720875 (151): 29/11/2022
(511): 5 and 31
(732): Evonik Operations GmbH of Rellinghauser Strasse 1-11 45128 Essen, Germany

PHYTRICARE

(210): 1721085 (151): 20/10/2022
(511): 6
(732): XIAOMING LIN of No. 4, Building 23, Tashan Community, Hushan Street, Wuyi County Zhejiang Province, China

LINCY

(210): 1721188 (151): 02/12/2022
(511): 7 and 16
(732): COLIBRI SYSTEM S.P.A. of Via Cernuschi Enrico, 4 I-20129 MILANO (Milano), Italy



CoLibri
SUPER CLOVERS

(210): 1721375 (151): 02/11/2022
(511): 9, 28, 41 and 42
(732): Euro Games Technology Ltd. of 4, "Maritsa" Str., "Vranya-Lozen-Triugulnika" BG-1151 Sofia, Bulgaria

(210): 1721409 (151): 24/10/2022
(511): 9, 35, 41 and 42
(732): KUMON INSTITUTE OF EDUCATION CO., LTD. of 5-6-6 Nishinakajima, Yodogawa-ku, Osaka-shi Osaka 532-8511, Japan

KUMON
CONNECT

(210): 1721425 (151): 05/12/2022
(511): 9, 28 and 41
(732): Euro Games Technology Ltd. of 4, "Maritsa" Str., "Vranya-Lozen-Triugulnika" BG-1151 Sofia, Bulgaria

HOT FLIGHT

(210): 1721430 (151): 14/12/2022
(511): 16, 35, 36, 41, 44 and 45
(732): Hope and Homes for Children of East Clyffe Farm Barn, East Clyffe Salisbury, Wiltshire SP3 4LZ, United Kingdom



(210): 1722198 (151): 05/12/2022
(511): 9, 28 and 41
(732): Euro Games Technology Ltd. of 4, "Maritsa" Str., "Vranya-Lozen-Triugulnika" BG-1151 Sofia, Bulgaria

HIT WIN

12.0 General Information

1. Patent, Utility Models and Industrial Design fees.

The following is a list of various fees payable under the Industrial Property Regulations, 2002

Patents

	Local (Kshs)	Foreign USD
Filing fee (full specification)	3, 000	150
Provisional application filing fee	1, 000	50
Substantive examination request	5, 000	250
Publication fee	3, 000	150
Grant fee	3, 000	150
Annual renewal fee -2 nd year - (varies according to years)	2, 000	300

Utility Models

	Local (Kshs)	Foreign USD
Filing fee (full specification)	1, 000	50
Provisional application filing fee	500	50
Publication fee	3, 000	150
Registration fee	3, 000	150
Annual renewal fee -2 nd year - (varies according to years)	1, 000	50

Industrial Designs

	Local (Kshs)	Foreign USD
Filing fee	3, 000	150
Publication fee	3, 000	150
Registration fee	1, 000	50
Renewal fee (after five years from application date)	10, 000	500

The complete list of fees is available on the Institute website: www.kipi.go.ke.

2. African Regional Intellectual Property Organization (ARIPO)

ARIPO is a regional body established by African governments to have a central office to among other things, process and grant industrial property rights on behalf of member states. ARIPO grants patents, utility models and industrial designs on behalf of Kenya. Currently, ARIPO consists of the following 16 member states; Botswana, Gambia, Ghana, Kenya, Lesotho, Liberia, Malawi, Mozambique, Namibia Sierra Leone, Sudan, Swaziland, Tanzania, Uganda, Zambia and Zimbabwe. Kenyan applicants are required by law to first file with the Institute before filing with ARIPO. ARIPO secretariat is located in Harare Zimbabwe.

The complete fee schedule for ARIPO is available on their website <http://www.aripo.org>. The following are the fees an applicant is required to pay immediately on application.

	Patents	Utility Models	Industrial Designs
Filing fee	USD 250	USD 100	USD 50
Designation fee (multiply with no. of designated countries)	USD 75	USD 20	USD 10
Transmission fee	Kshs 5000	Kshs 5000	Kshs 5000

3. Patent Cooperation Treaty

The Patent Cooperation Treaty (PCT) is an international patent protection treaty consisting of over 140 member states. PCT is administered by the World Intellectual Property Organization in Geneva Switzerland. PCT makes it possible for an applicant to seek patent protection for an invention simultaneously in any of the selected member states by filing one application. PCT is a filing system and does not grant patents on behalf of the member states. Applications must enter national phase in the selected member states. In the national phase, the applicant is required to pay the prescribed national fees in the said member states. Further, in

some member states, a foreign applicant is required to have a resident agent. The PCT fees as of 1st May 2011 are as follows:

Type of fee	Fee		Fee waivers
International filing fee	USD 1, 367 or CHF 1330		90% waiver for a natural person from Kenya
Search fees (only one search authority needs to be selected by applicant)	Austria	USD 2, 443	75% waiver for natural a person from Kenya
	Australia	USD 1, 837	None
	China	USD 314	None
	European Patent office	USD 2, 443	75% waiver for a natural person from Kenya
	Sweden	USD 2, 443	None
Transmittal fee	Kshs 5000		-

More information is available on the PCT website www.wipo.int/pct/en

4. Kenya is a signatory to the following Treaties related to industrial property rights:

No.	Treaty	Year of accession/ratification
1.	The Lusaka Agreement, establishing the African Regional Intellectual Property Organization	15 th February 1978
2.	The Protocol on Patents and Industrial Designs (Harare Protocol)	24 th October 1984
3.	The Paris Convention for Protection of Industrial Property	14 th June, 1965
4.	The World Intellectual Property Organization Convention	5 th October 1971
5.	Nairobi Treaty on the Protection of the Olympic Symbol	25 th September 1982
6.	The Patent Cooperation Treaty	8 th June 1994
7.	The Madrid Agreement Concerning the International Registration of Marks	26 th June 1998
8.	The Protocol Relating to the Madrid Agreement Concerning the International Registration of Marks	26 th June 1998
9.	The Trade Related Aspects of Intellectual Property Rights Agreement	1 st January 1995

5. Trade Marks Forms and Fees

The following are some of the prescribed forms and the respective fees under the Trade Marks Rules:

	Description of fee	Local Fee Kshs	Foreign Fee US\$	Corresponding form
1.	Application fee for an application to register a trade mark: for the first class for each subsequent class	4, 000 3,000	200 150	TM 2
2.	Fee for registration of a trade mark under r. 60(1): for the first class for each subsequent class	2, 000 1, 500	150 100	-

3.	Fee for filing a notice of opposition to an application to register a trade mark: for the first class for each subsequent class	5000 4000	250 200	TM 6
4.	Fee for filing a counter statement: for the first class for each subsequent class	4, 000 3, 000	200 150	TM 7
5.	Fee for renewal of a registration of a trade mark under r.64(1), 67 or 68 for the first class for each subsequent class	4, 000 3, 000	200 150	TM 10
6.	Application fee for an application, under r. 71, to register an assignment or transmission, for each trade mark assigned or transmitted: for the first class for each subsequent class	3, 000 2,000	150 100	TM 14
7	Application fee for an application, under r. 95, to register a person as a registered user of a registered trade mark, for each trade mark: for the first class for each subsequent class	6, 000 5,000	300 250	TM 48
8.	Application fee for an application, under r. 81(1), 85(2) or 101(2), to alter the trade or business address of the proprietor or a registered user, for each trade mark: for the first class for each subsequent class	2, 000 1, 000	100 50	TM 17
9.	Application fee for an application, under r. 82(1) and section 29, 30, 35 or 36 of the Act, for the making, expunging or varying of an entry in the register, for each trade mark: for the first class for each subsequent class	6, 000 5, 000	300 250	TM 25
10.	Application fee for an application, under r. 85(2) or 101(2), to make a correction to the Register for which a fee is not otherwise specified, for each trade mark: for the first class for each subsequent class	2, 000 1, 000	150 50	TM 19
11.	Application fee for an application, under r. 85(2) or 101(2), to change the name or description of the proprietor or a registered user: for the first class for each subsequent class	3, 000 500	150 50	TM 20
12.	Fee for appointing an agent, under r. 14(2), to act in a proceeding or matter before or affecting the Registrar	1, 000	50	TM 1
13.	Application fee for an application, under r. 102, for an extension of time, other than an extension of time prescribed by rule 76: a. extension not exceeding 30 days	1, 000	50	TM 53

	b. extension exceeding 30 days but not exceeding 60 days	2, 000	100	
	c. extension exceeding 60 days	3, 000	150	
14.	Application fee for an application, under r. 108, to amend a document or drawing or other representation, for each trademark: for the first class for each subsequent class	2, 000 1, 000	100 50	TM 19
15.	Fee for preliminary advice of the Registrar under r. 20(1): for the first class for each subsequent class	3, 000 2, 000	150 50	TM 27

Notes:

1. A foreign fee is payable if the person paying the fee or on whose behalf the fee is being paid does not reside in Kenya and does not have a principal place of business in Kenya.
2. All the prescribed forms and the respective fees payable for matters under the Trade Marks Act and Rules are available at www.kipi.go.ke

6. The International Classification of Goods and Services for the Purposes of the Registration of Marks (Nice Classification)

The Nice Classification is established under the Nice Agreement Concerning the International Classification of Goods and Services for the Purposes of the Registration of Marks, one of the treaties administered by the World Intellectual Property Organization. The Nice Classification was established by an Agreement concluded at a Diplomatic Conference held in Nice on 15th June 1957. Kenya has not ratified the Agreement. However, section 6 of the Trade Marks Act provides that goods and services in respect of which registration of a mark is applied for shall be classified in accordance with the Nice Classification. The following are the class headings under the Nice Classification:

Nice Classification (10th Edition) C L A S S H E A D I N G S

GOODS

- Class 1* Chemicals used in industry, science and photography, as well as in agriculture, horticulture and forestry; unprocessed artificial resins, unprocessed plastics; manures; fire extinguishing compositions; tempering and soldering preparations; chemical substances for preserving foodstuffs; tanning substances; adhesives used in industry
- Class 2* Paints, varnishes, lacquers; preservatives against rust and against deterioration of wood; colorants; mordants; raw natural resins; metals in foil and powder form for painters, decorators, printers and artists
- Class 3* Bleaching preparations and other substances for laundry use; cleaning, polishing, scouring and abrasive preparations; soaps; perfumery, essential oils, cosmetics, hair lotions; dentifrices
- Class 4* Industrial oils and greases; lubricants; dust absorbing, wetting and binding compositions; fuels (including motor spirit) and illuminants; candles and wicks for lighting
- Class 5* Pharmaceutical and veterinary preparations; sanitary preparations for medical purposes; dietetic food and substances adapted for medical or veterinary use, food for babies; dietary supplements for humans and animals; plasters, materials for dressings; material for stopping teeth, dental wax; disinfectants; preparations for destroying vermin; fungicides, herbicides
- Class 6* Common metals and their alloys; metal building materials; transportable buildings of metal; materials of metal for railway tracks; non-electric cables and wires of common metal; ironmongery, small items of metal hardware; pipes and tubes of metal; safes; goods of common metal not included in other classes; ores

-
- Class 7* Machines and machine tools; motors and engines (except for land vehicles); machine coupling and transmission components (except for land vehicles); agricultural implements other than hand-operated; incubators for eggs; automatic vending machines
- Class 8* Hand tools and implements (hand-operated); cutlery; side arms; razors
- Class 9* Scientific, nautical, surveying, photographic, cinematographic, optical, weighing, measuring, signalling, checking (supervision), life-saving and teaching apparatus and instruments; apparatus and instruments for conducting, switching, transforming, accumulating, regulating or controlling electricity; apparatus for recording, transmission or reproduction of sound or images; magnetic data carriers, recording discs; compact discs, DVDs and other digital recording media; mechanisms for coin-operated apparatus; cash registers, calculating machines, data processing equipment, computers; computer software; fire-extinguishing apparatus
- Class 10* Surgical, medical, dental and veterinary apparatus and instruments, artificial limbs, eyes and teeth; orthopedic articles; suture materials
- Class 11* Apparatus for lighting, heating, steam generating, cooking, refrigerating, drying, ventilating, water supply and sanitary purposes
- Class 12* Vehicles; apparatus for locomotion by land, air or water
- Class 13* Firearms; ammunition and projectiles; explosives; fireworks
- Class 14* Precious metals and their alloys and goods in precious metals or coated therewith, not included in other classes; jewellery, precious stones; horological and chronometric instruments
- Class 15* Musical instruments
- Class 16* Paper, cardboard and goods made from these materials, not included in other classes; printed matter; bookbinding material; photographs; stationery; adhesives for stationery or household purposes; artists' materials; paint brushes; typewriters and office requisites (except furniture); instructional and teaching material (except apparatus); plastic materials for packaging (not included in other classes); printers' type; printing blocks
- Class 17* Rubber, gutta-percha, gum, asbestos, mica and goods made from these materials and not included in other classes; plastics in extruded form for use in manufacture; packing, stopping and insulating materials; flexible pipes, not of metal
- Class 18* Leather and imitations of leather, and goods made of these materials and not included in other classes; animal skins, hides; trunks and travelling bags; umbrellas and parasols; walking sticks; whips, harness and saddlery
- Class 19* Building materials (non-metallic); non-metallic rigid pipes for building; asphalt, pitch and bitumen; non-metallic transportable buildings; monuments, not of metal
- Class 20* Furniture, mirrors, picture frames; goods (not included in other classes) of wood, cork, reed, cane, wicker, horn, bone, ivory, whalebone, shell, amber, mother-of pearl, meerschaum and substitutes for all these materials, or of plastics
- Class 21* Household or kitchen utensils and containers; combs and sponges; brushes (except paint brushes); brush-making materials; articles for cleaning purposes; steelwool; unworked or semi-worked glass (except glass used in building); glassware, porcelain and earthenware not included in other classes
- Class 22* Ropes, string, nets, tents, awnings, tarpaulins, sails, sacks and bags (not included in other classes); padding and stuffing materials (except of rubber or plastics); raw fibrous textile materials
- Class 23* Yarns and threads, for textile use

-
- Class 24* Textiles and textile goods, not included in other classes; bed covers; table covers
- Class 25* Clothing, footwear, headgear
- Class 26* Lace and embroidery, ribbons and braid; buttons, hooks and eyes, pins and needles; artificial flowers
- Class 27* Carpets, rugs, mats and matting, linoleum and other materials for covering existing floors; wall hangings (non-textile)
- Class 28* Games and playthings; gymnastic and sporting articles not included in other classes; decorations for Christmas trees
- Class 29* Meat, fish, poultry and game; meat extracts; preserved, frozen, dried and cooked fruits and vegetables; jellies, jams, compotes; eggs; milk and milk products; edible oils and fats
- Class 30* Coffee, tea, cocoa and artificial coffee; rice; tapioca and sago; flour and preparations made from cereals; bread, pastry and confectionery; ices; sugar, honey, treacle; yeast, baking-powder; salt; mustard; vinegar, sauces (condiments); spices; ice
- Class 31* Grains and agricultural, horticultural and forestry products not included in other classes; live animals; fresh fruits and vegetables; seeds; natural plants and flowers; foodstuffs for animals; malt
- Class 32* Beers; mineral and aerated waters and other non-alcoholic beverages; fruit beverages and fruit juices; syrups and other preparations for making beverages
- Class 33* Alcoholic beverages (except beers)
- Class 34* Tobacco; smokers' articles; matches
- SERVICES**
- Class 35* Advertising; business management; business administration; office functions
- Class 36* Insurance; financial affairs; monetary affairs; real estate affairs
- Class 37* Building construction; repair; installation services
- Class 38* Telecommunications
- Class 39* Transport; packaging and storage of goods; travel arrangement
- Class 40* Treatment of materials
- Class 41* Education; providing of training; entertainment; sporting and cultural activities
- Class 42* Scientific and technological services and research and design relating thereto; industrial analysis and research services; design and development of computer hardware and software
- Class 43* Services for providing food and drink; temporary accommodation
- Class 44* Medical services; veterinary services; hygienic and beauty care for human beings or animals; agriculture, horticulture and forestry services
- Class 45* Personal and social services rendered by others to meet the needs of individuals; security services for the protection of property and individuals

END OF DOCUMENT

